



US00D386920S

United States Patent [19]
Neil

[11] **Patent Number:** **Des. 386,920**
[45] **Date of Patent:** ****Dec. 2, 1997**

[54] **ARM REST ASSEMBLY**

D. 358,064 5/1995 Larkin D6/366
5,435,626 7/1995 Lai 297/411.36

[76] **Inventor:** **Gary K. Neil, 1295 Crestlawn Dr.,
Mississauga, Ontario, Canada, L4W
1A9**

Primary Examiner—Gary D. Watson
Attorney, Agent, or Firm—Eugene J. A. Gierczak

[**] **Term:** **14 Years**

[57] **CLAIM**

[21] **Appl. No.:** **55,632**

The ornamental design for an “arm rest assembly” as shown and described.

[22] **Filed:** **Jun. 10, 1996**

DESCRIPTION

[51] **LOC (6) Cl.** **06-06**

[52] **U.S. Cl.** **D6/501**

[58] **Field of Search** D6/334, 335, 364,
D6/365, 366, 367, 372, 374, 375, 379,
500, 501, 502; 297/411.36

FIG. 1 is a front view of the “arm rest assembly”;
FIG. 2 is a side view of said “arm rest assembly”, the
opposite side being a mirror image thereof;
FIG. 3 is a top view of said “arm rest assembly”;
FIG. 4 is a bottom view of said “arm rest assembly”; and,
FIG. 5 is a back view of said “arm rest assembly”.

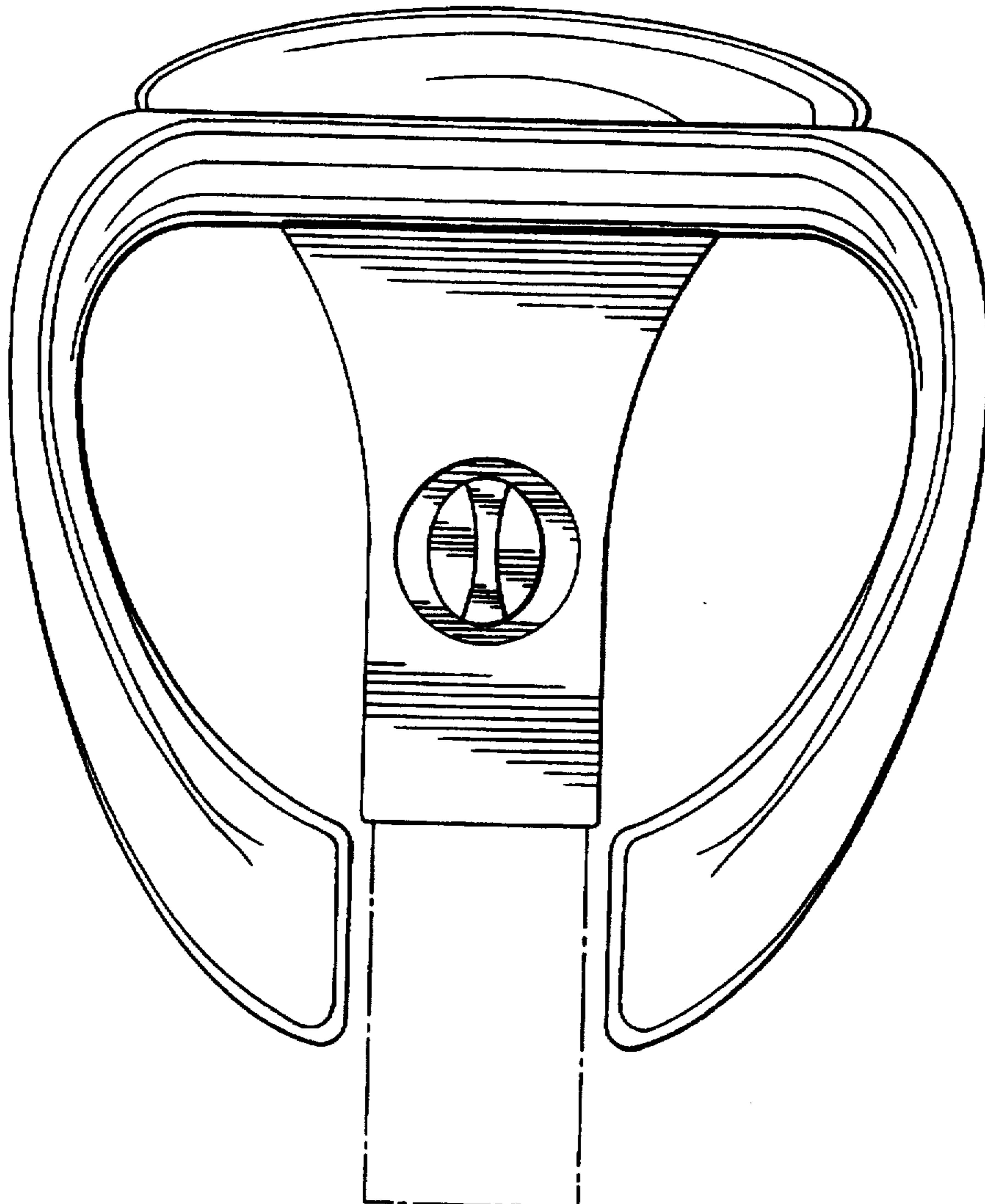
[56] **References Cited**

The broken lines shown in all views of the arm rest support shaft are for environmental purposes only and form no part of the claimed design.

U.S. PATENT DOCUMENTS

D. 350,032 8/1994 Beaulieu D6/366
D. 350,033 8/1994 Beaulieu D6/366

1 Claim, 5 Drawing Sheets



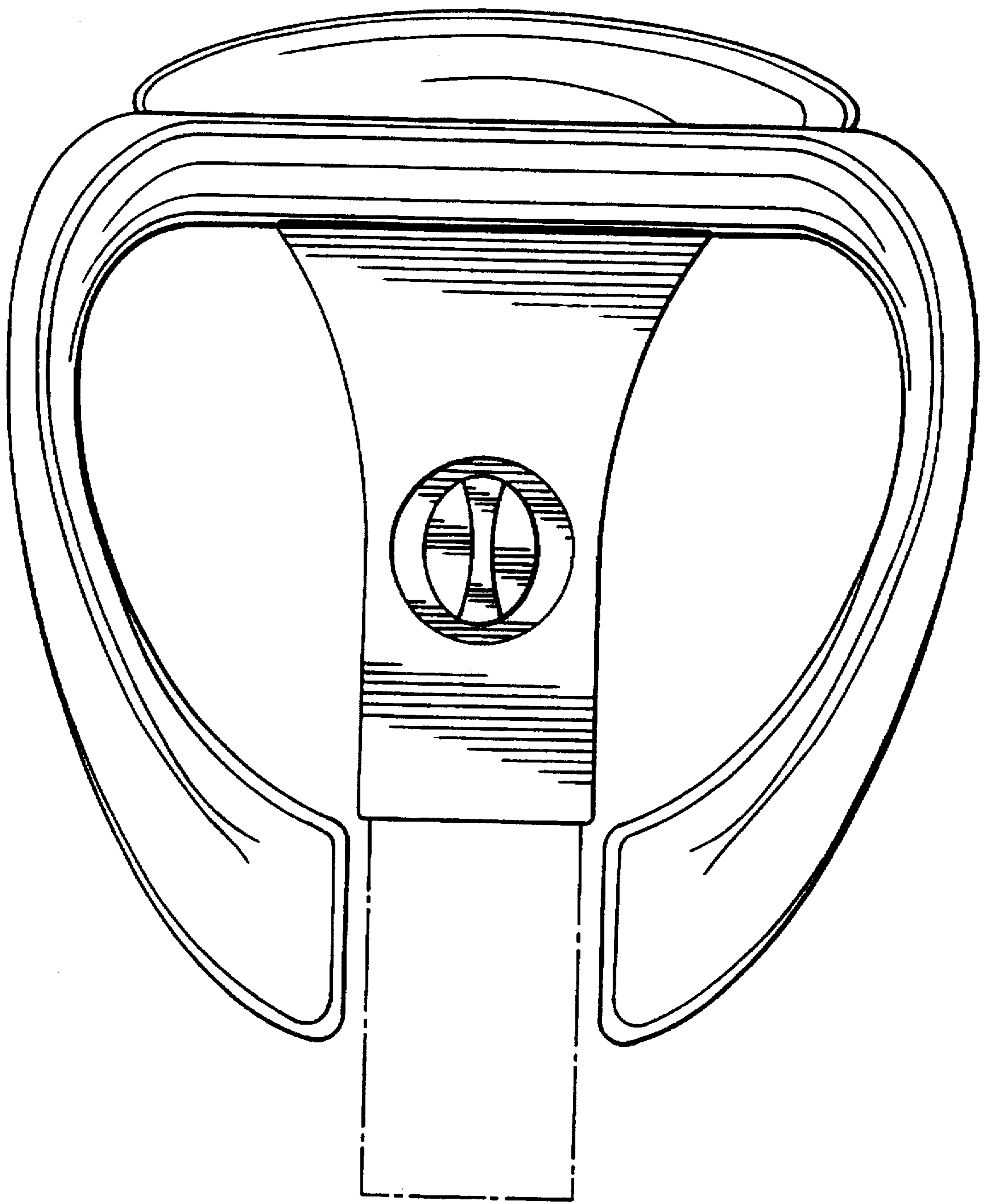


FIG. 1

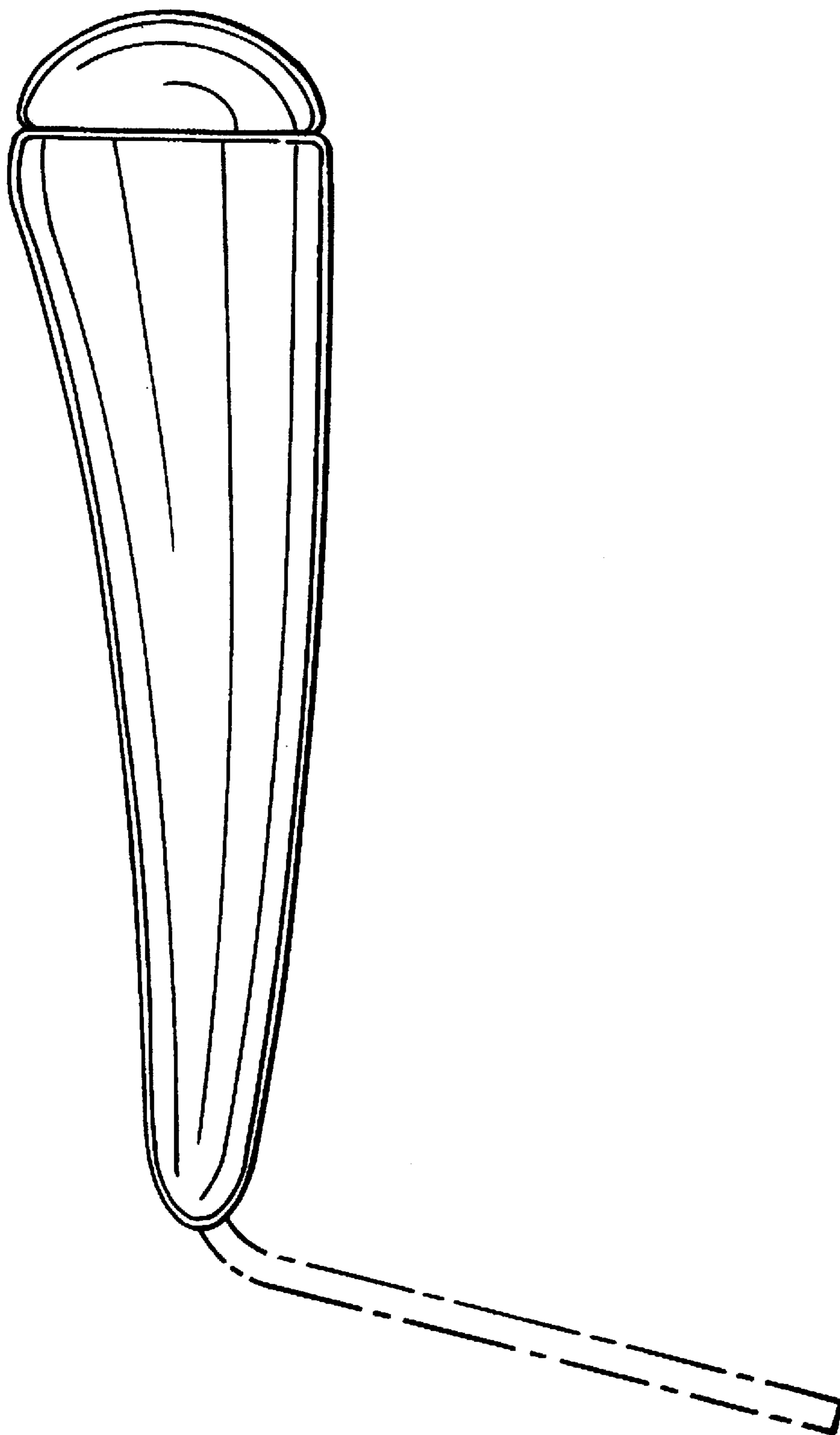


FIG. 2

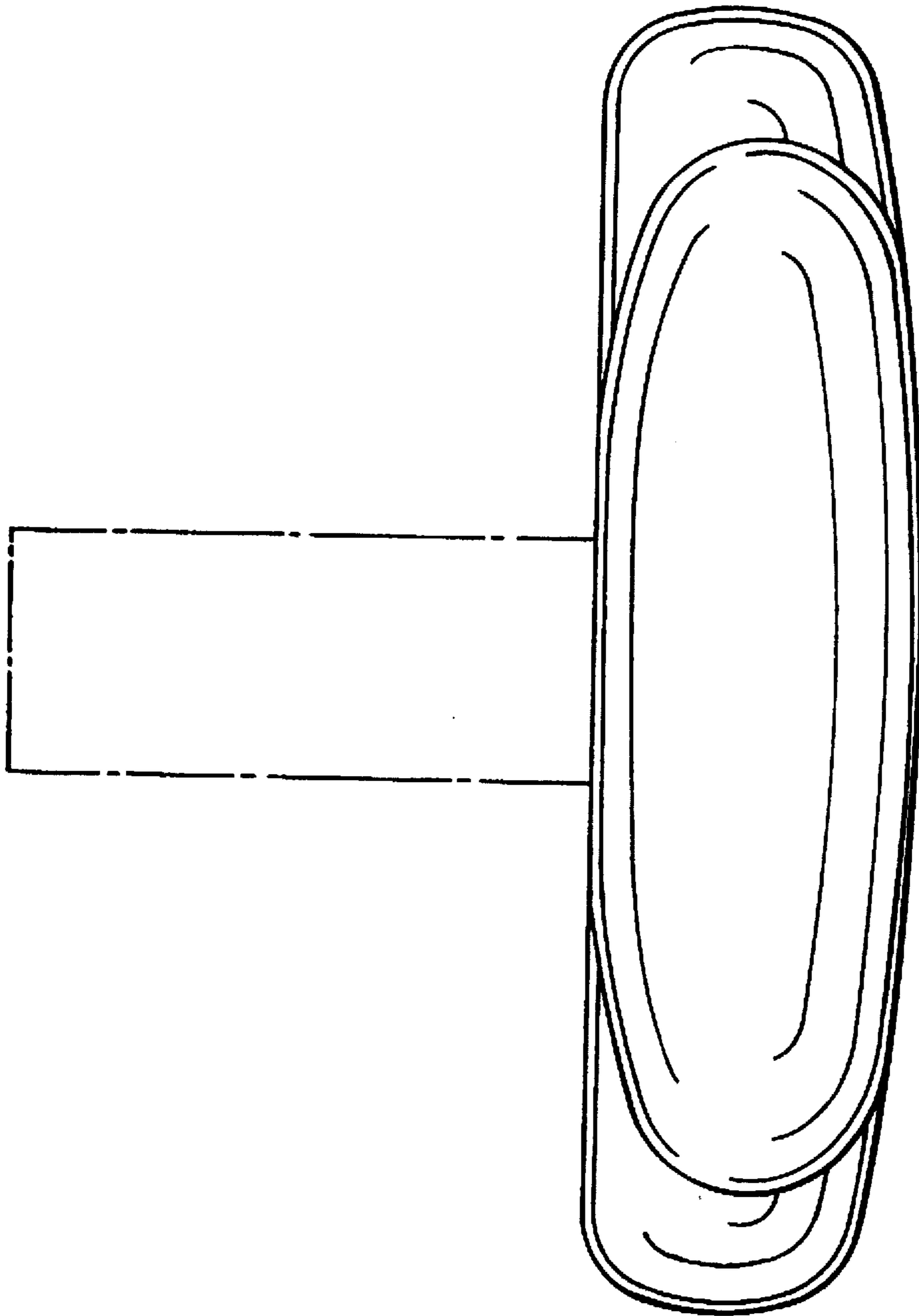


FIG. 3

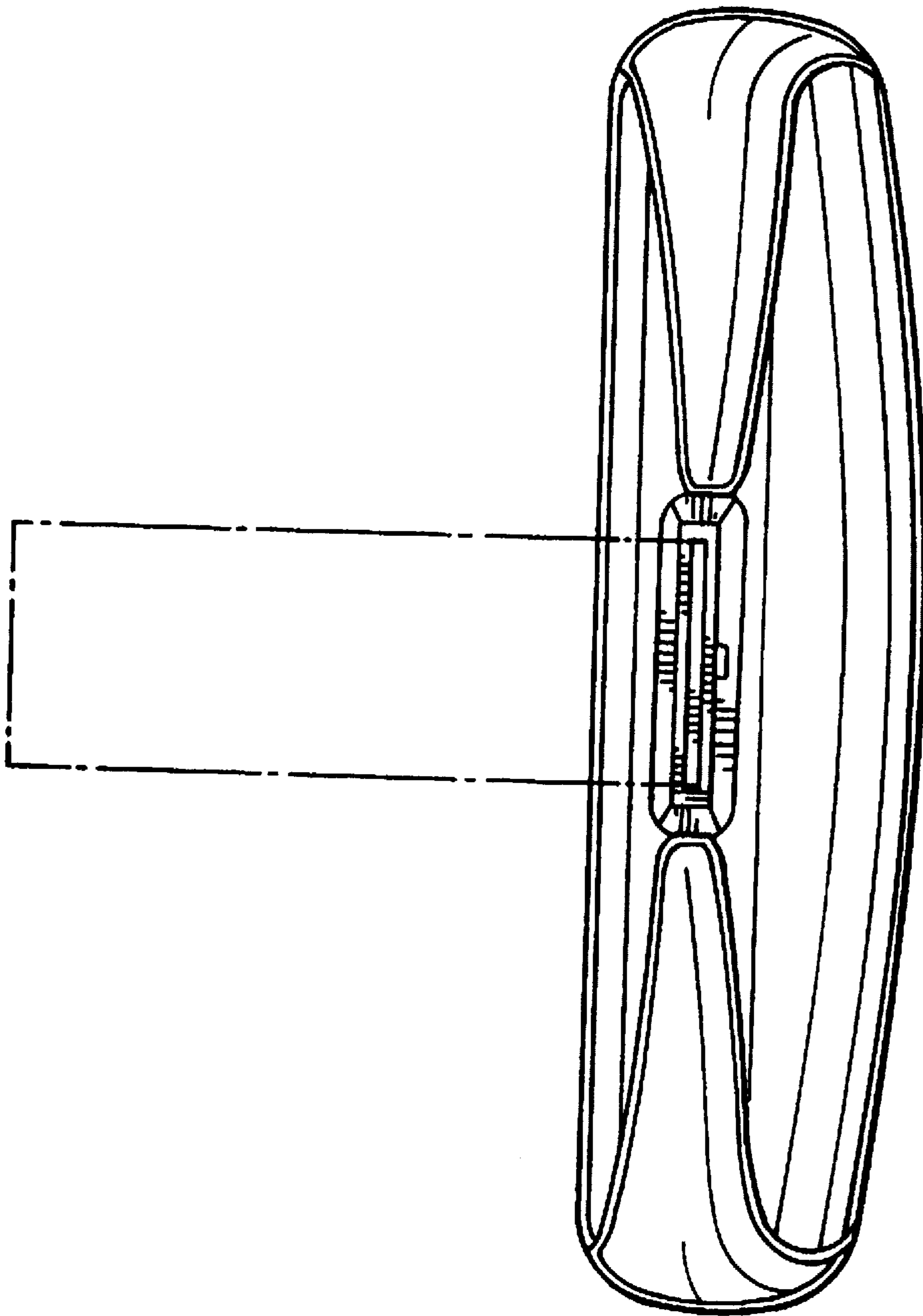


FIG. 4

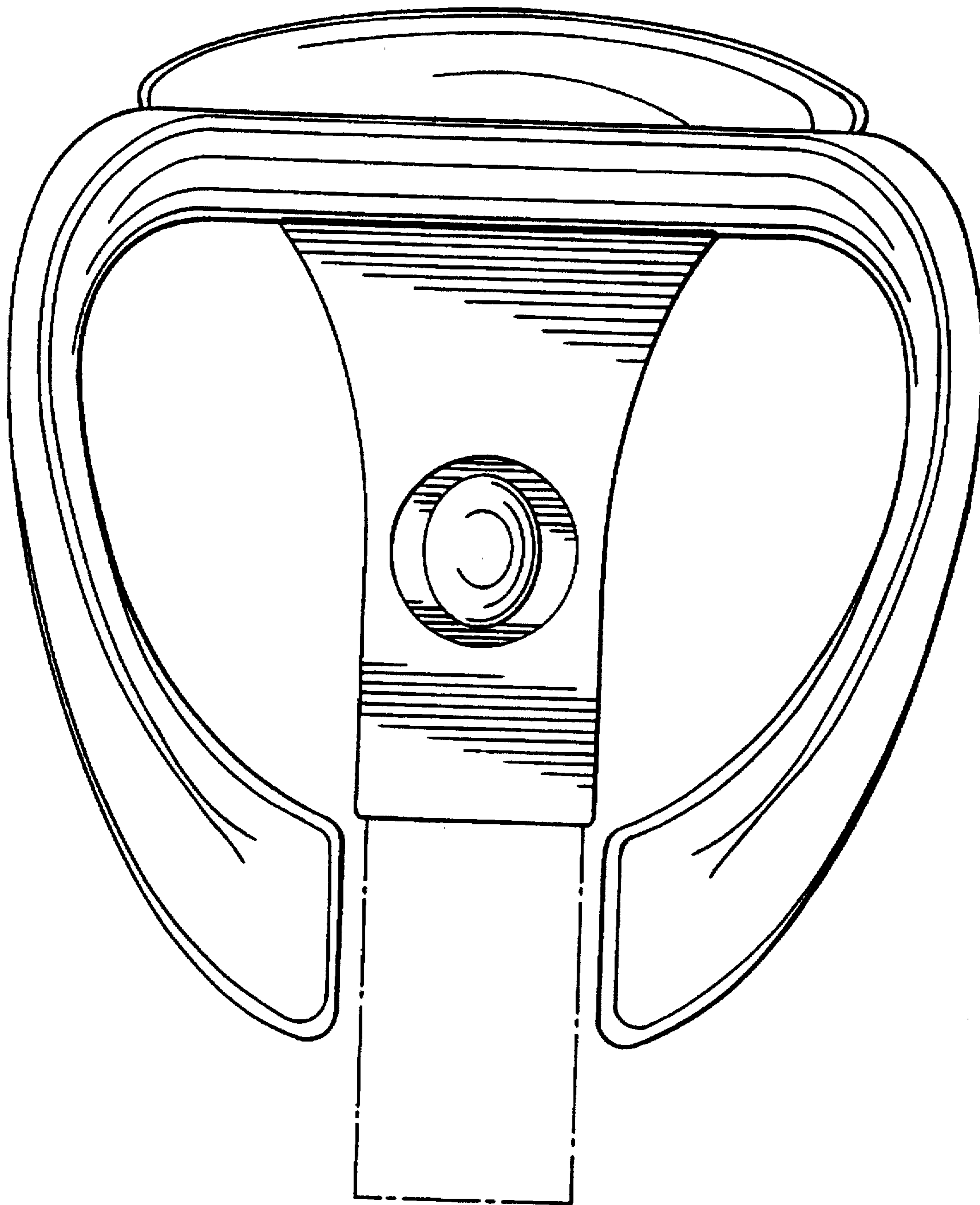


FIG. 5