

US00D386917S

United States Patent [19]

[11] Patent Number: **Des. 386,917**

Blevio

[45] Date of Patent: ****Dec. 2, 1997**

[54] **CABINET**

[76] Inventor: **Hank Blevio**, 9 Oak Point Club, New Milford, Conn. 06776

[**] Term: **14 Years**

[21] Appl. No.: **30,386**

[22] Filed: **Oct. 28, 1994**

[51] LOC (6) Cl. **06-04**

[52] U.S. Cl. **D6/445**

[58] Field of Search D6/445, 446, 447, D6/432, 491, 434, 435; 312/140.2, 200, 198, 257.1

[56] **References Cited**

U.S. PATENT DOCUMENTS

D. 199,795 12/1964 Pechenik D6/447
D. 223,374 4/1972 Firdmann D6/445

OTHER PUBLICATIONS

Montgomery Ward, Spring and Summer 1985, #H cabinet at bottom left.

Sweets, 12300/ARC, Buyline 6599, cabinet at top.

Sweets, Cabinet Max, 12300/CAB, Buyline 7321, 2 pages.

Furniture Today, p. 65, cabinets with contrasting moldings at bottom of page.

Sweets, Concepts by Midmark, 11700/MID, Buyline 6377, cabinet at lower right.

Primary Examiner—Janice E. Seeger

Attorney, Agent, or Firm—John H. Crozier

[57] **CLAIM**

The ornamental design for a cabinet, as shown and described.

DESCRIPTION

FIG. 1 is an exploded top/front/right side perspective view

of one embodiment of a cabinet, without drawers, showing my new design;

FIG. 2 is a top/front/right side perspective view of the embodiment of FIG. 1, without drawers, but with doors attached and open;

FIG. 3 is a top/rear/left side perspective view of the embodiment of FIG. 1, without drawers, and with the doors attached and open;

FIG. 4 is a fragmentary, front/bottom/right side perspective view of the embodiment of FIG. 1, without doors;

FIG. 5 is a top/front/right side perspective view of another embodiment of a cabinet, without drawers or doors, showing my new design;

FIG. 6 is a top/front/right side perspective view of the embodiment of FIG. 5, with drawers and closed doors, and with one drawer open;

FIG. 7 is a front elevational view of the embodiments of FIGS. 1 and 5, without drawers or doors;

FIG. 8 is a right side elevational view of the embodiment of FIG. 1, without drawers or doors;

FIG. 9 is a bottom plan view of the embodiment of FIG. 1, without drawers or doors;

FIG. 10 is a right side elevational view of the embodiment of FIG. 5, without drawers or doors;

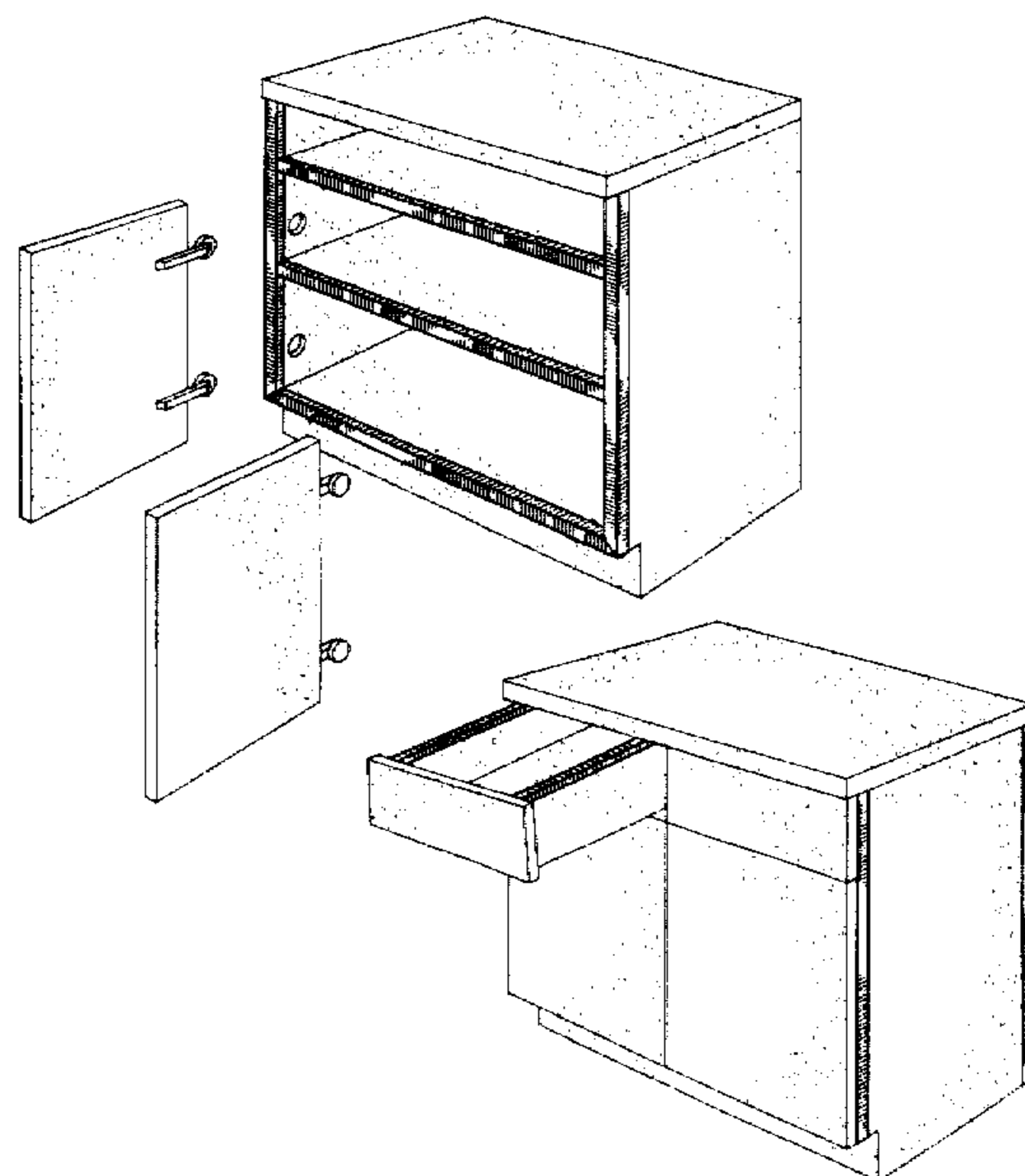
FIG. 11 is a bottom plan view of the embodiment of FIG. 5, without drawers or doors; and,

FIG. 12 is a rear elevational view of the embodiment of FIG. 5.

The rear of the embodiment of FIG. 1 is unornamented.

The characterizing feature of the design is the appearance of flush, contrasting molding disposed along the edges of cabinet side panels, shelves, and drawers.

1 Claim, 7 Drawing Sheets



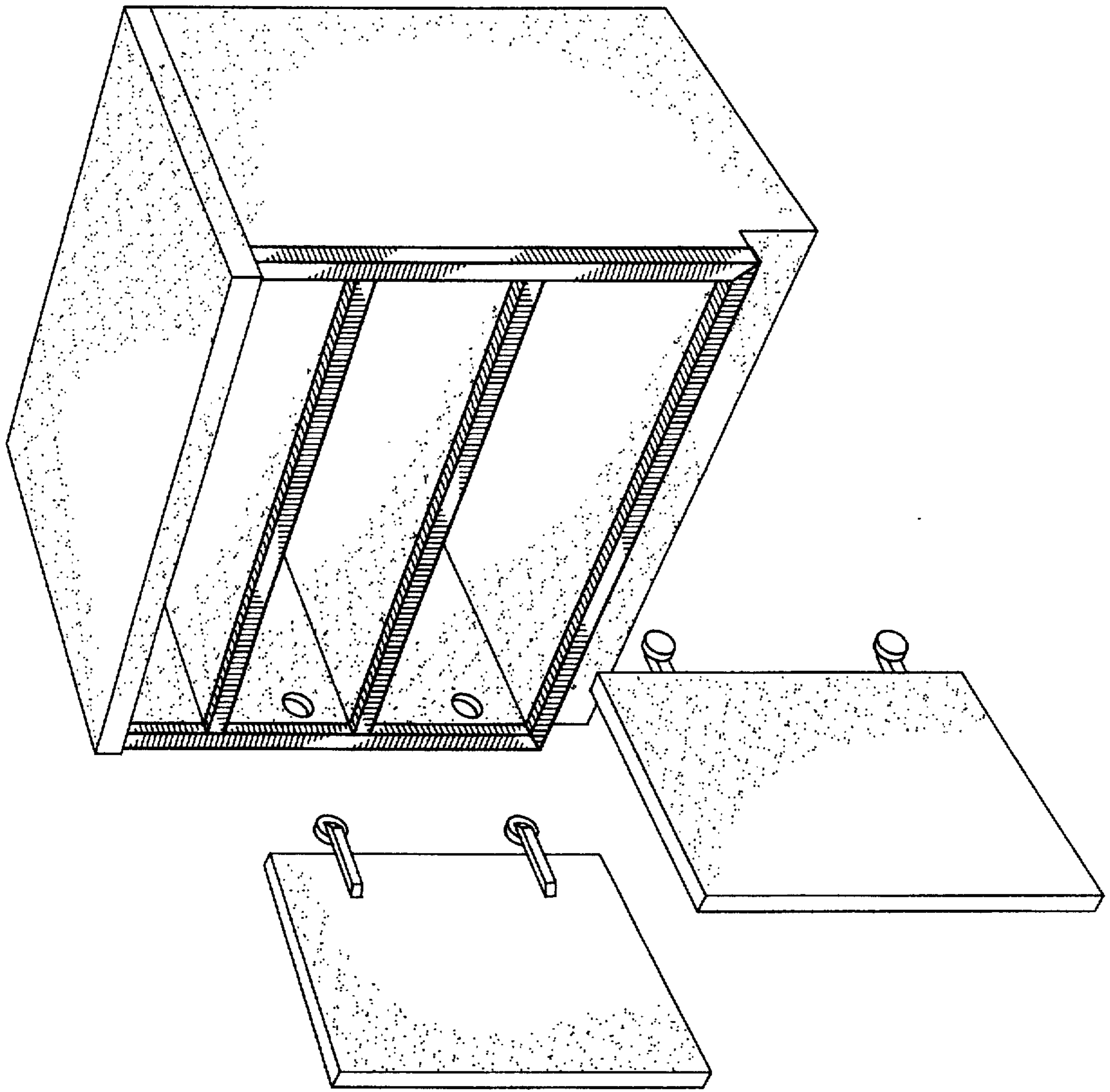


FIG. 1

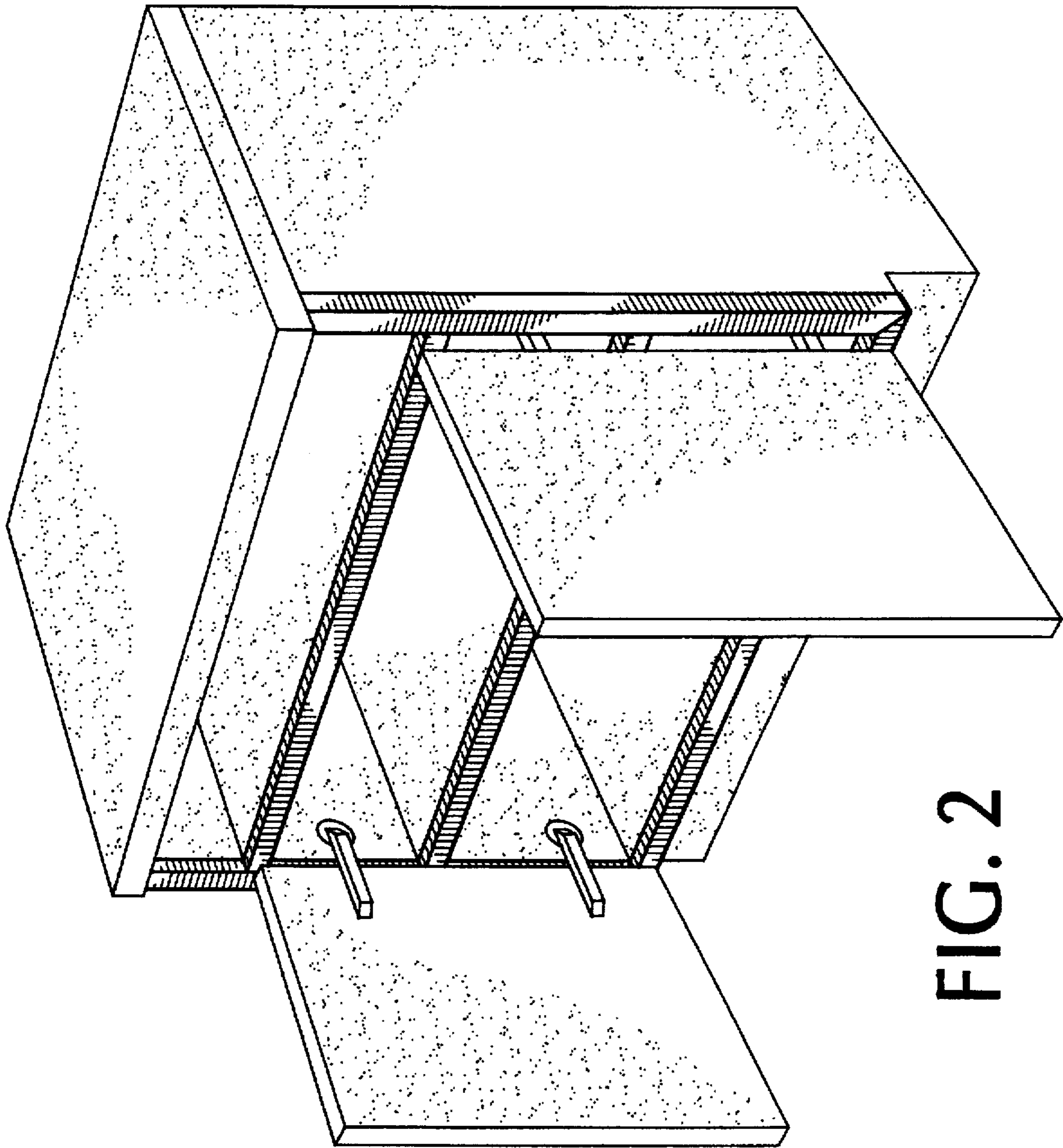


FIG. 2

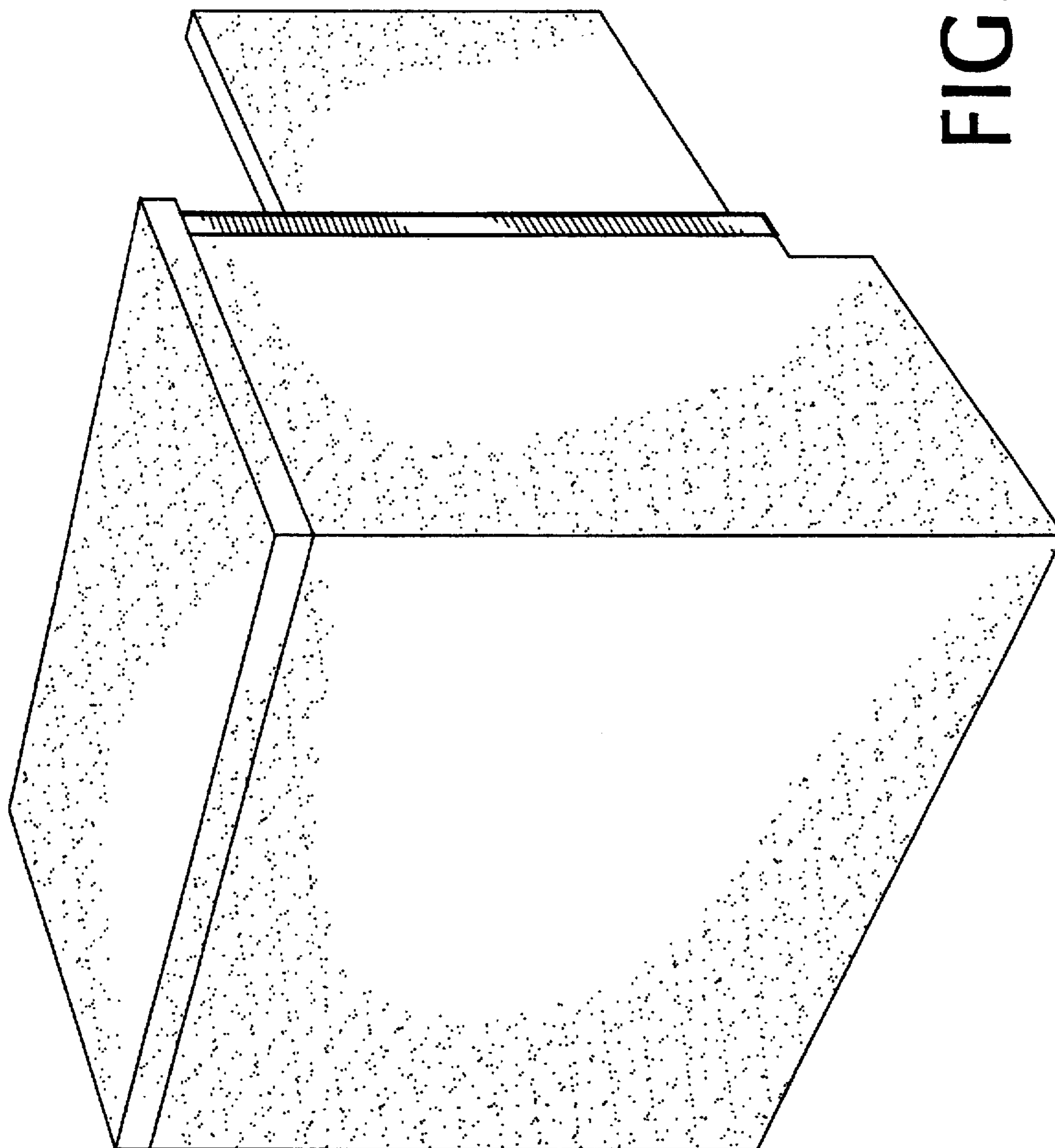


FIG. 3

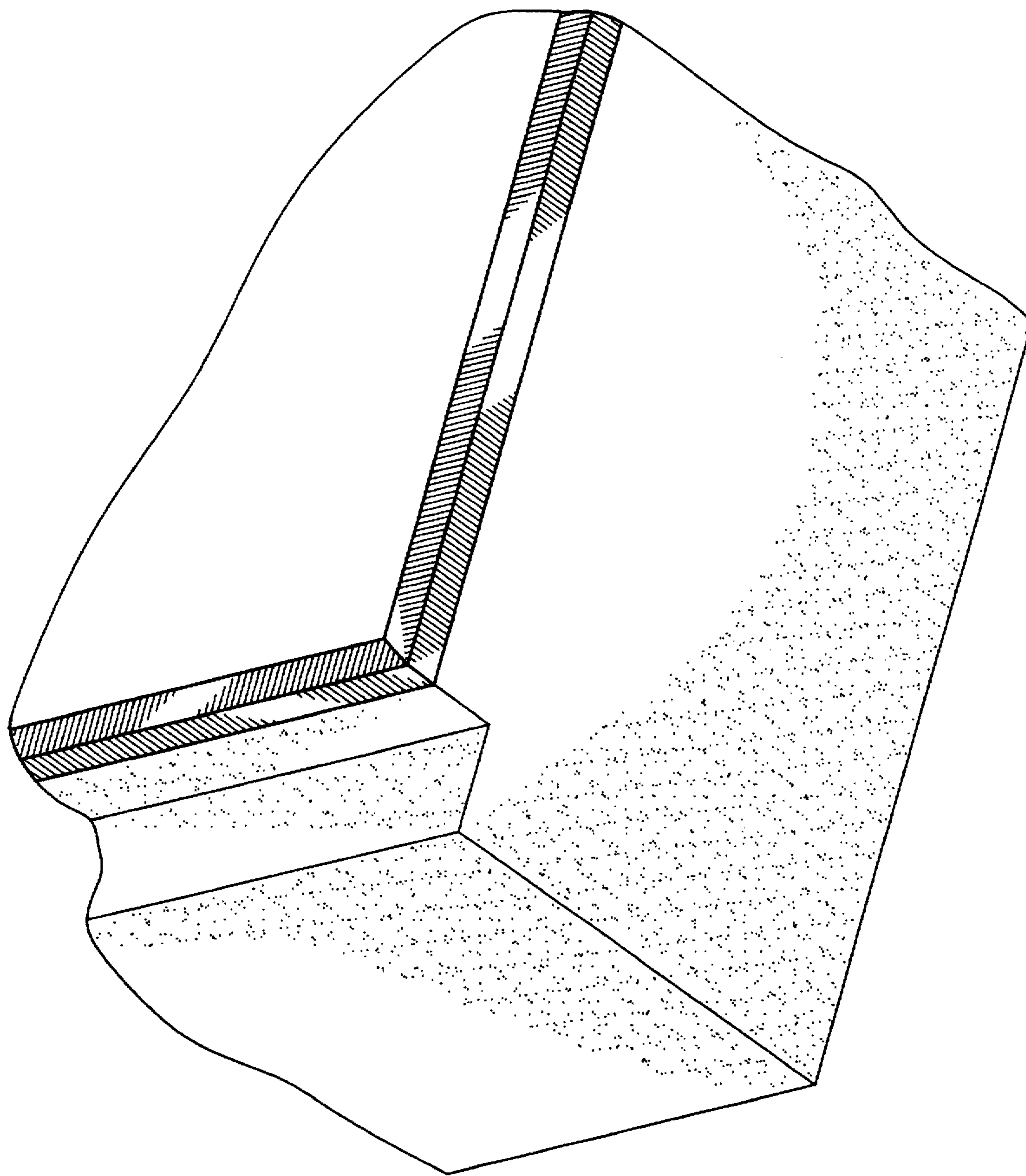


FIG. 4

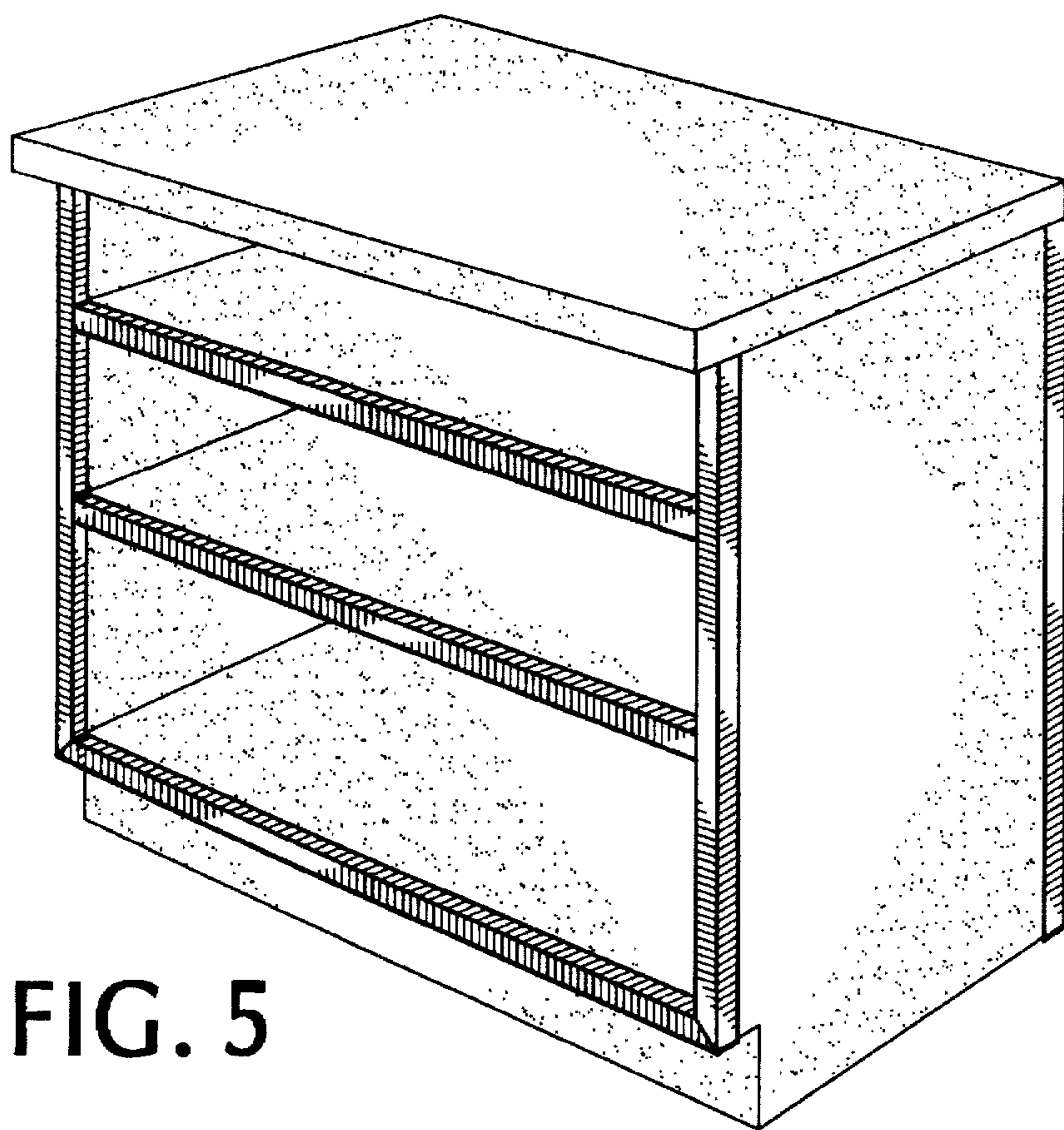


FIG. 5

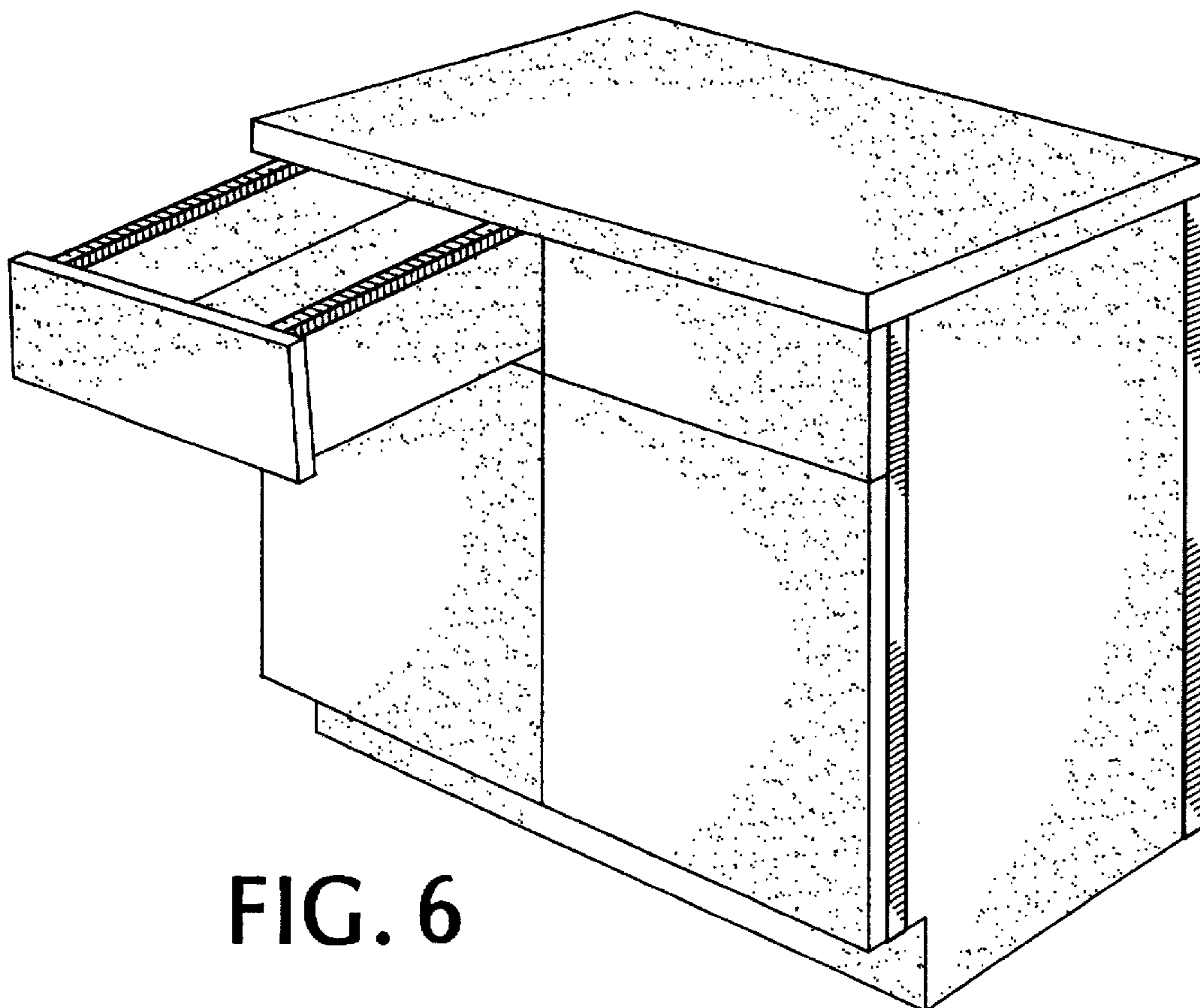


FIG. 6

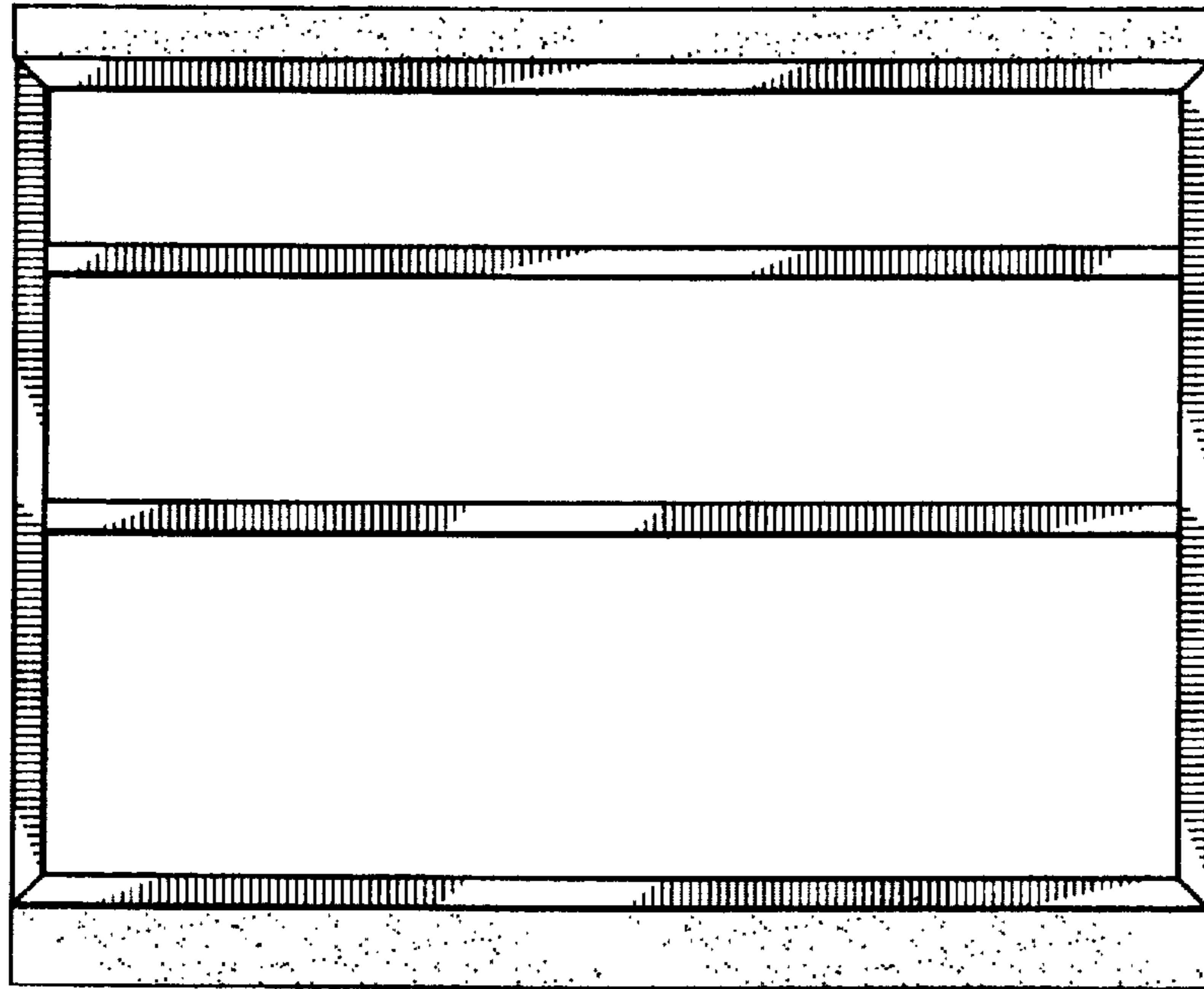


FIG. 7

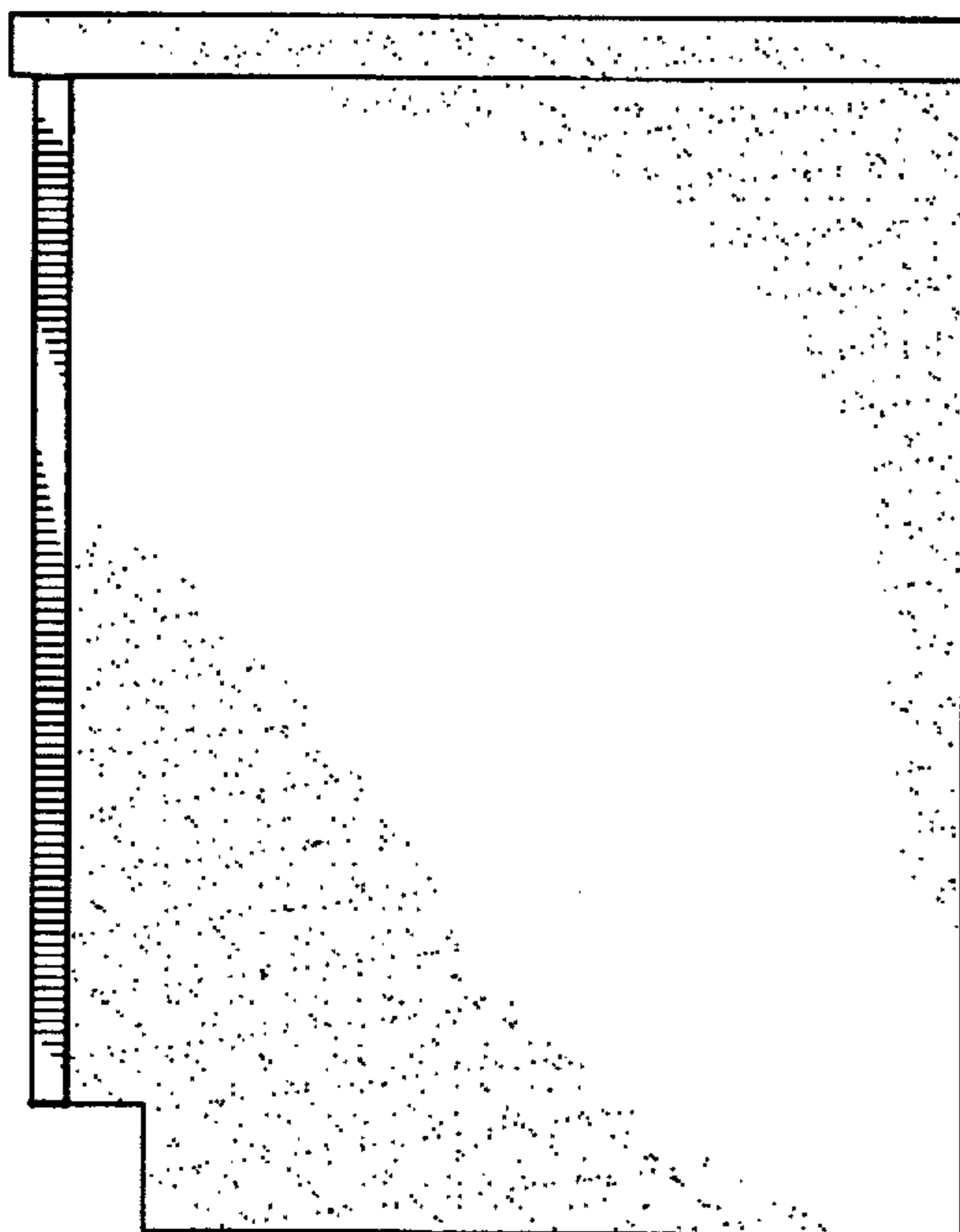


FIG. 8

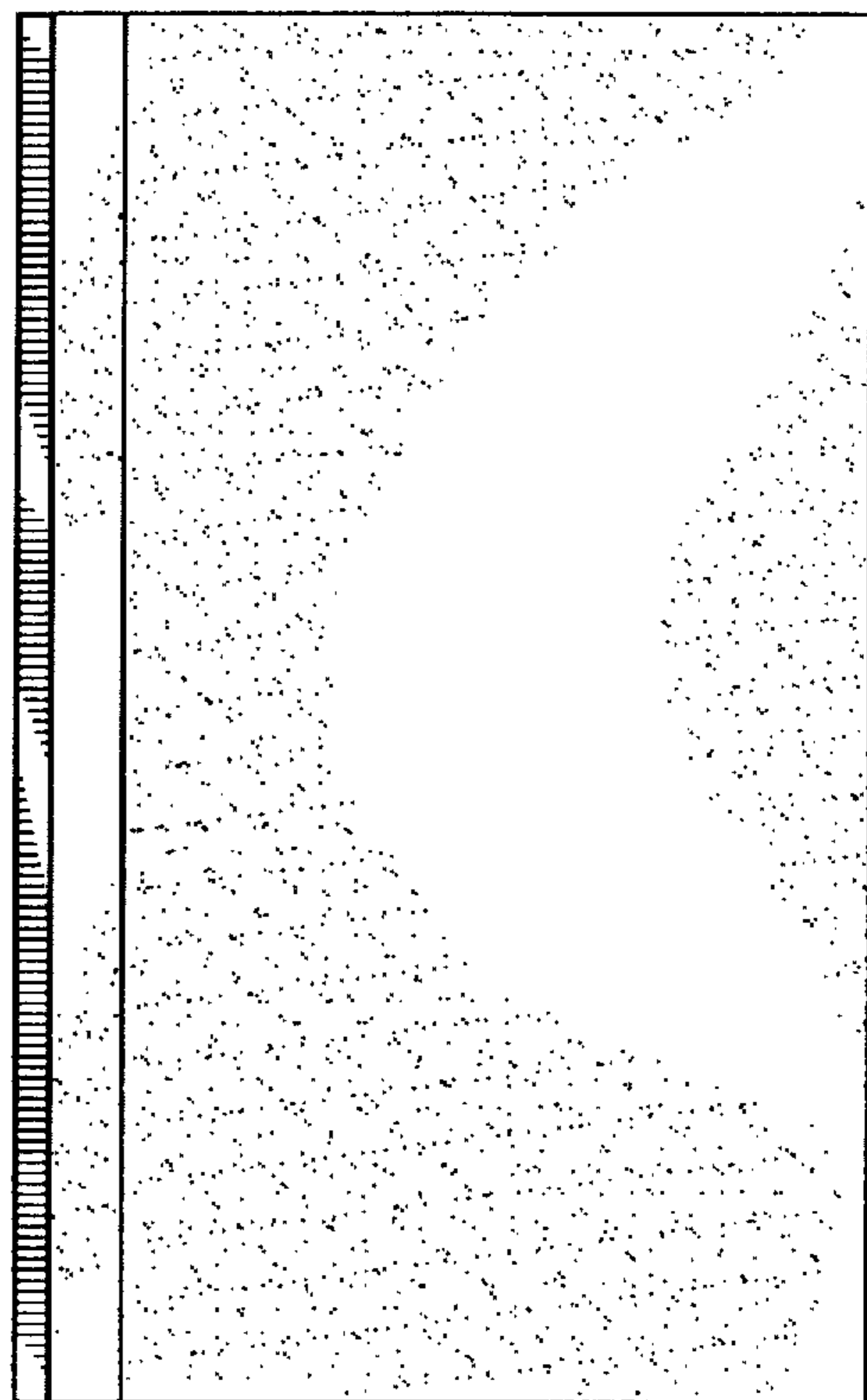


FIG. 9

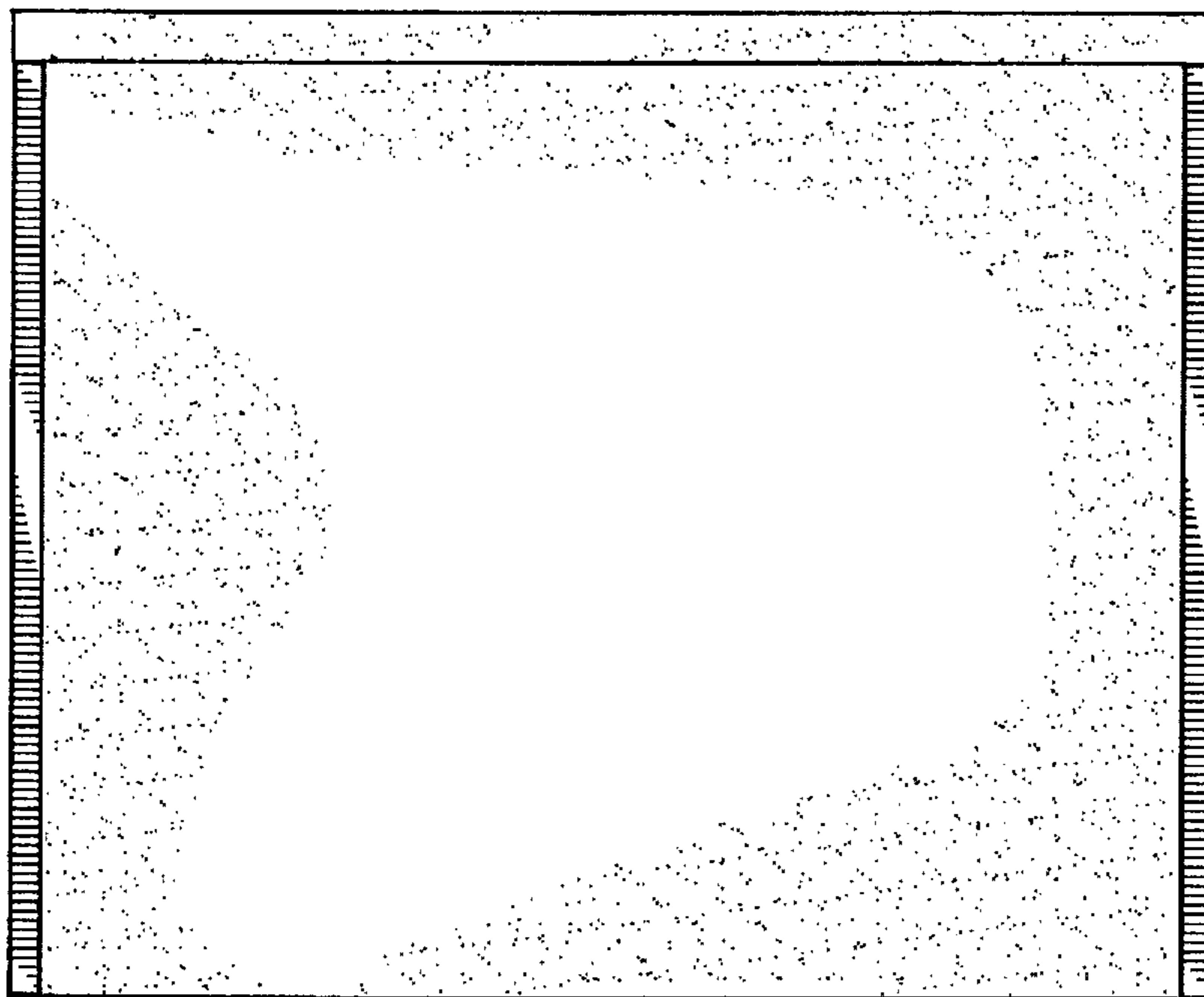


FIG. 12

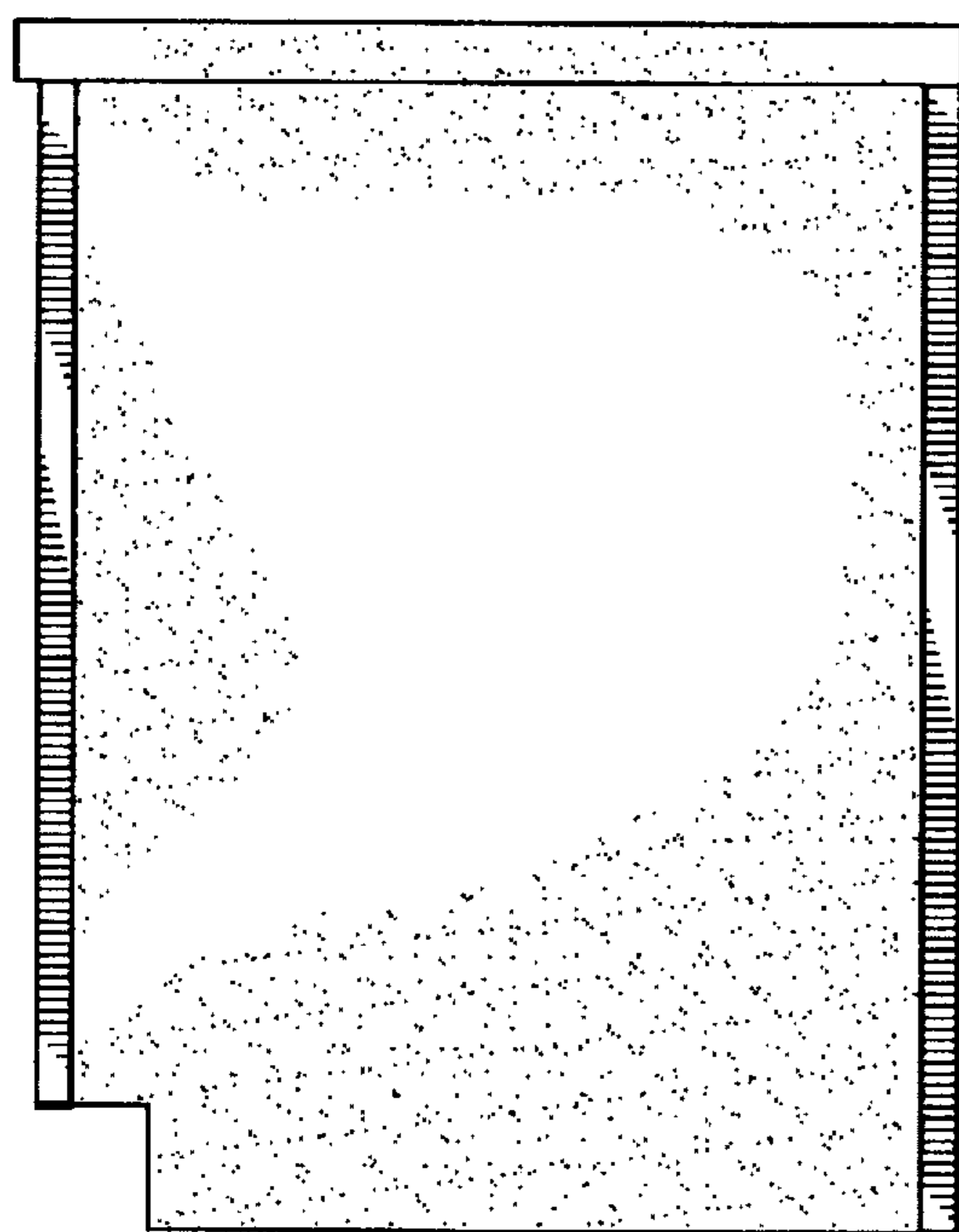


FIG. 10

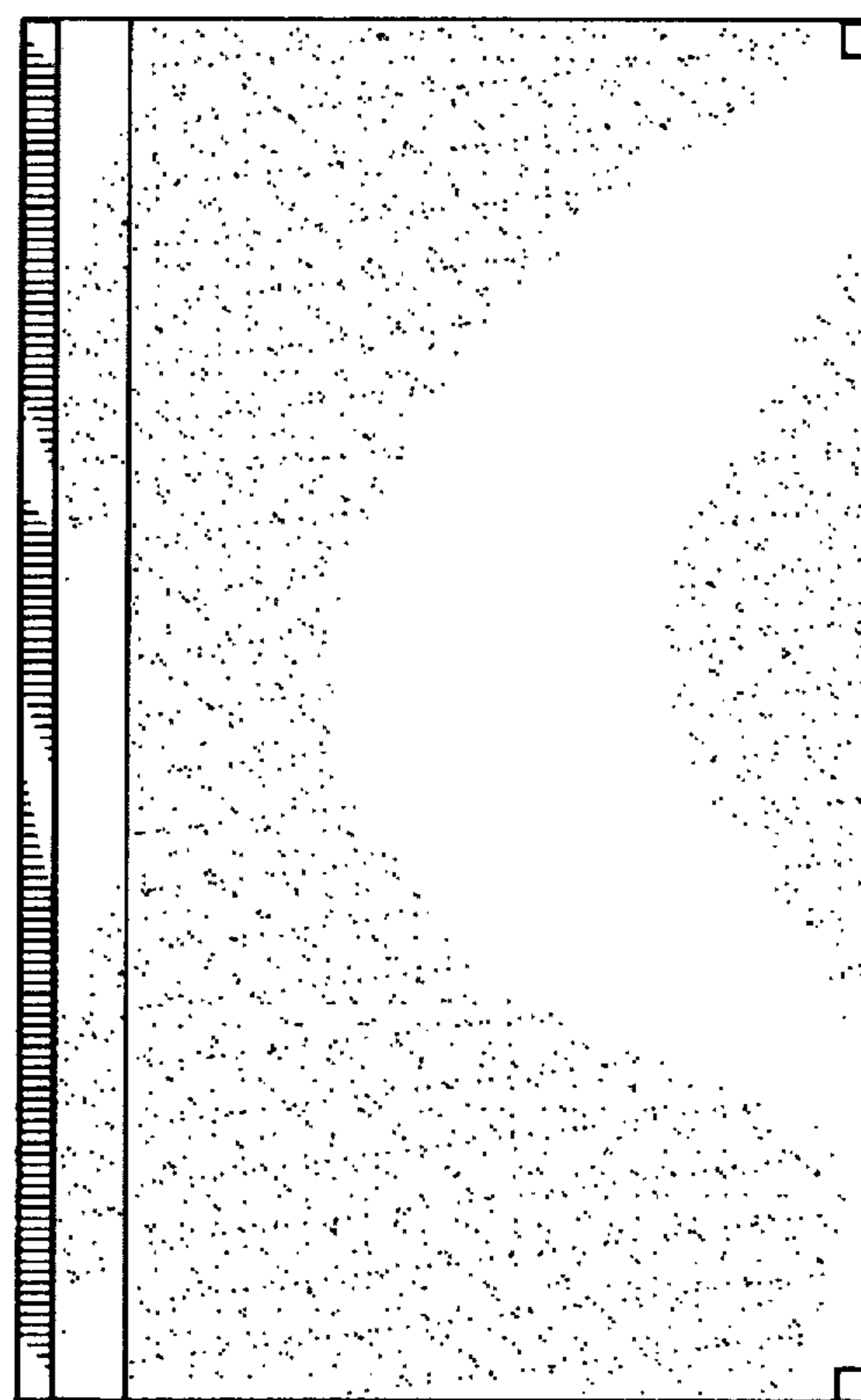


FIG. 11