



US00D386915S

United States Patent [19]

Shirakami et al.

[11] Patent Number: **Des. 386,915**

[45] Date of Patent: ****Dec. 2, 1997**

[54] AUDIO CASSETTE TAPE CASE

[75] Inventors: **Keita Shirakami; Kazushi Kirihara,**
both of Tokyo, Japan

[73] Assignee: **Sony Kabushiki Kaisha,** Tokyo, Japan

[**] Term: **14 Years**

[21] Appl. No.: **59,197**

[22] Filed: **Sep. 4, 1996**

[30] Foreign Application Priority Data

Apr. 5, 1996 [JP] Japan 8-9490

[51] LOC (6) Cl. **06-04**

[52] U.S. Cl. **D6/407; D6/632**

[58] Field of Search D6/407, 626-635;
206/308.1, 309-312, 581, 472, 387.1, 387.2,
456-457; D3/289, 201, 245, 301; D9/420,
423, 424, 426, 430, 432; 224/240

[56] References Cited

U.S. PATENT DOCUMENTS

D. 222,819	1/1972	Del Corno et al.	D6/632
3,495,716	2/1970	Gregory	D6/627
4,383,610	5/1983	Boshears	206/387.1
4,501,359	2/1985	Yoshizawa	206/387.1
4,793,477	12/1988	Manning et al.	206/308.1
4,928,818	5/1990	Friess et al.	206/309
4,948,022	8/1990	Van Dyke	206/308.1
4,988,000	1/1991	Weisburn et al.	206/387.1
5,285,897	2/1994	Ozaki	206/387.12
5,363,960	11/1994	Ackeret	206/387.12
5,405,007	4/1995	Iwahashi	206/387.1
5,560,481	10/1996	Doodson et al.	206/387.1

FOREIGN PATENT DOCUMENTS

2223984	10/1974	France	206/387.1
3816384	11/1989	Germany	206/387.1
62-28987	2/1987	Japan	206/308.1

Primary Examiner—Cathy Anne MacCormac
Attorney, Agent, or Firm—Morgan & Finnegan, LLP

[57] CLAIM

The ornamental design for the audio cassette tape case, as shown and described.

DESCRIPTION

FIG. 1 is a front perspective view of the audio cassette tape case in accordance with present invention;

FIG. 2 is another front perspective view of the audio cassette tape case in a using condition showing in dotted lines an audio cassette partially withdrawn from the audio cassette tape case;

FIG. 3 is a top plan view of the audio cassette tape case of FIG. 1;

FIG. 4 is a bottom plan view of the audio cassette tape case of FIG. 1;

FIG. 5 is a front elevation view of the audio cassette tape case of FIG. 1;

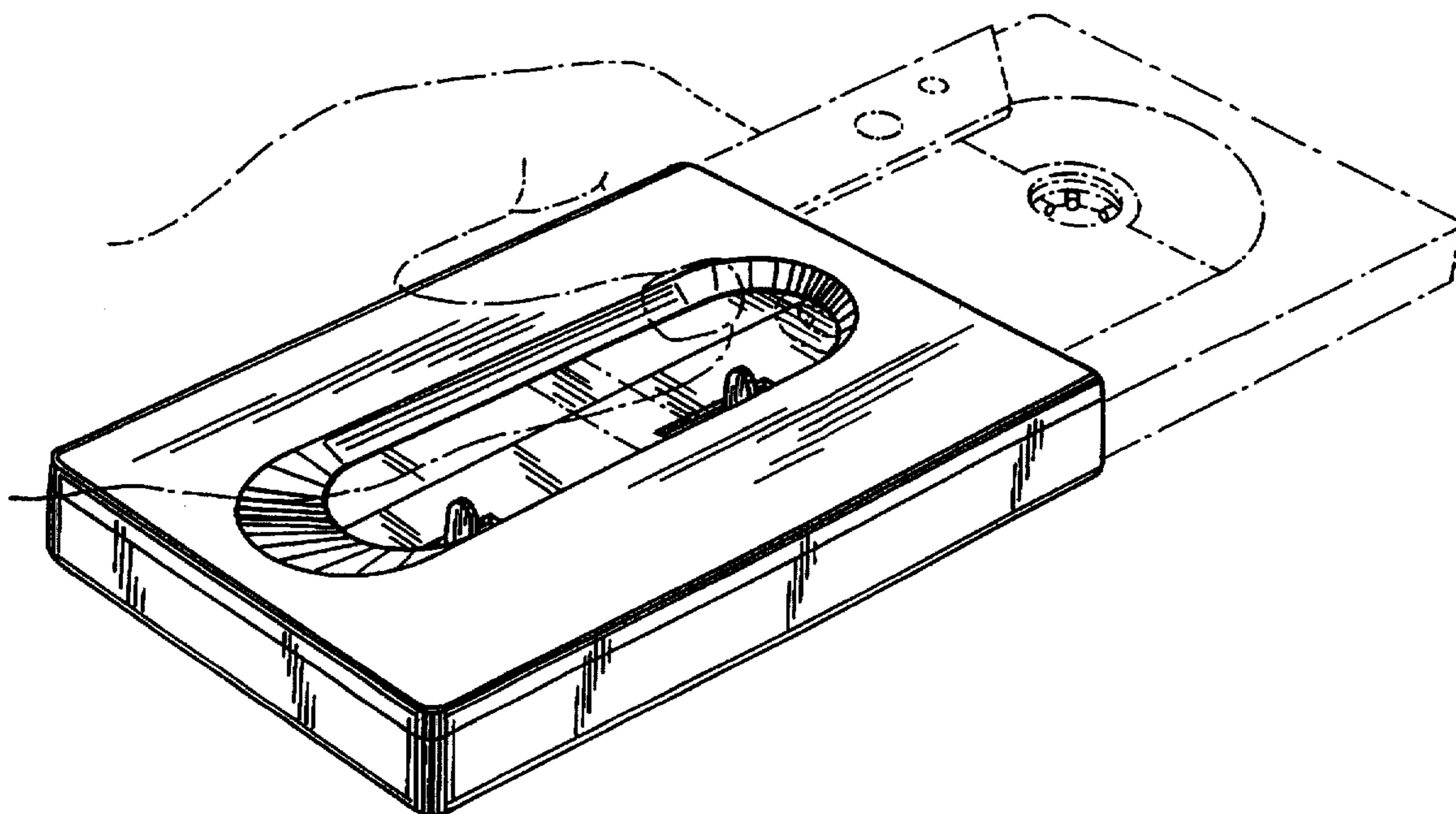
FIG. 6 is a rear elevation view of the audio cassette tape case of FIG. 1;

FIG. 7 is a right side elevation view of the audio cassette tape case of FIG. 1; and,

FIG. 8 is a left side elevation view of the audio cassette tape case of FIG. 1.

The broken lines in FIG. 2 are for purposes of illustration and form no part of the claimed design.

1 Claim, 4 Drawing Sheets



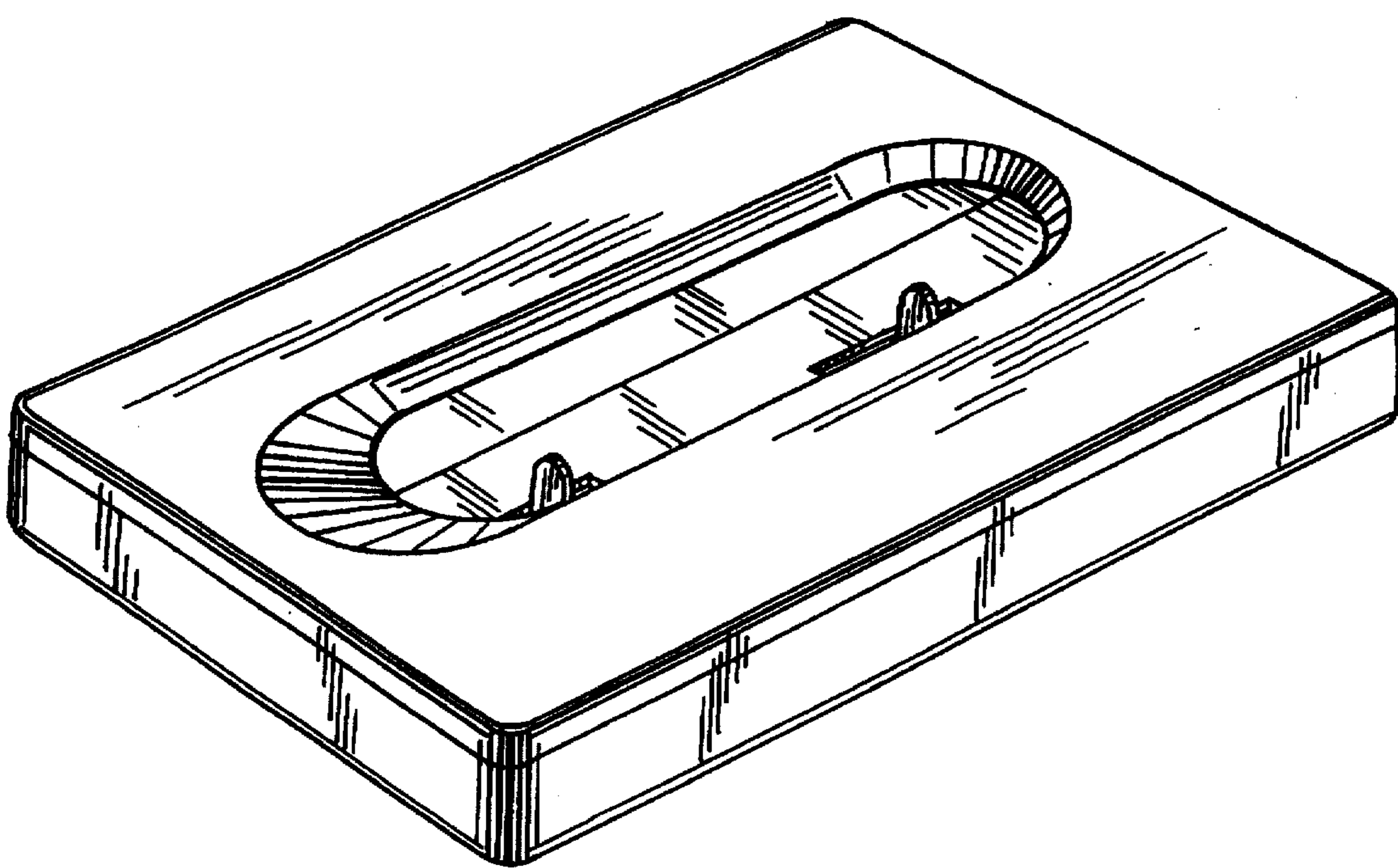


FIG. 1

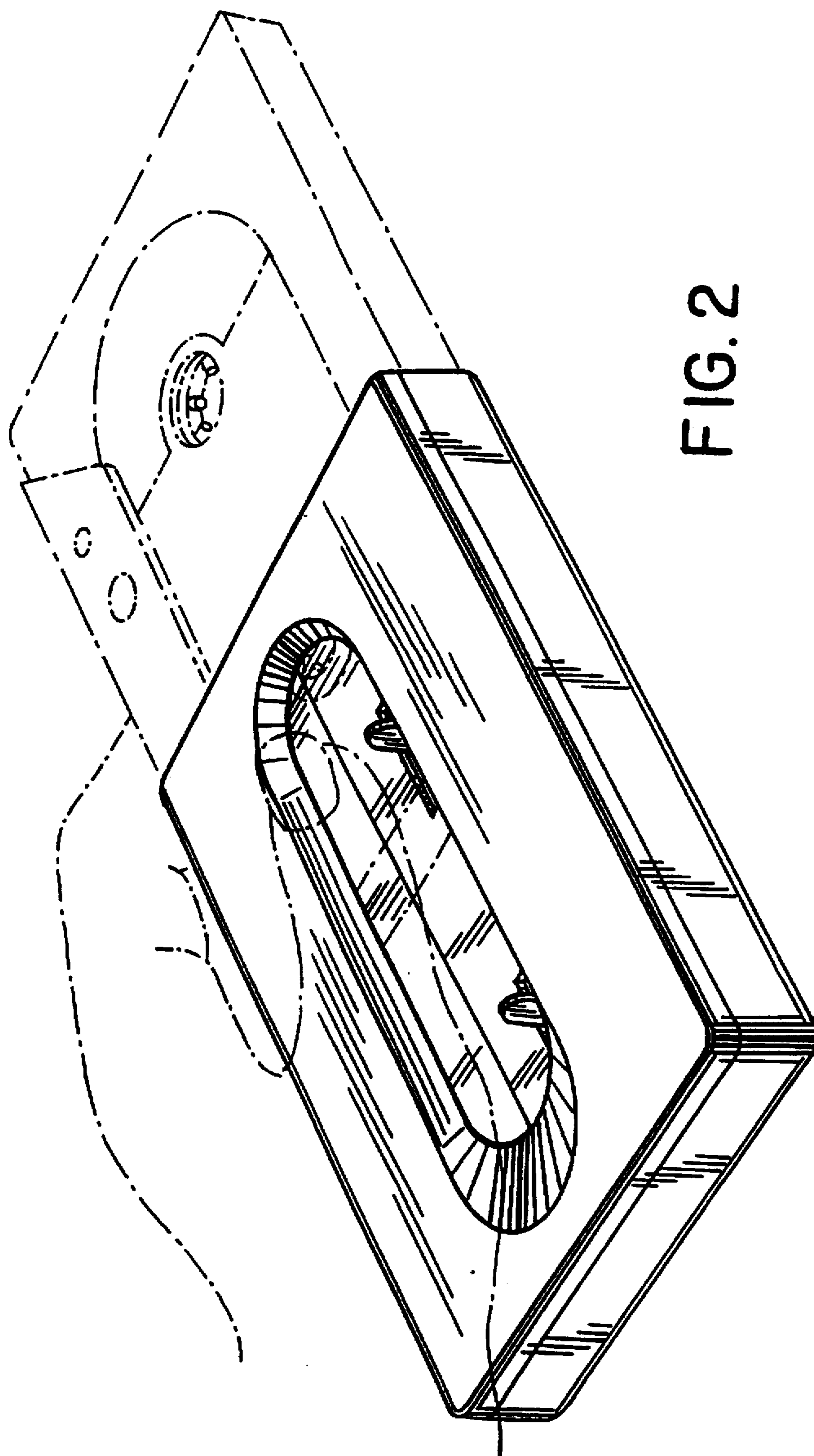


FIG. 2

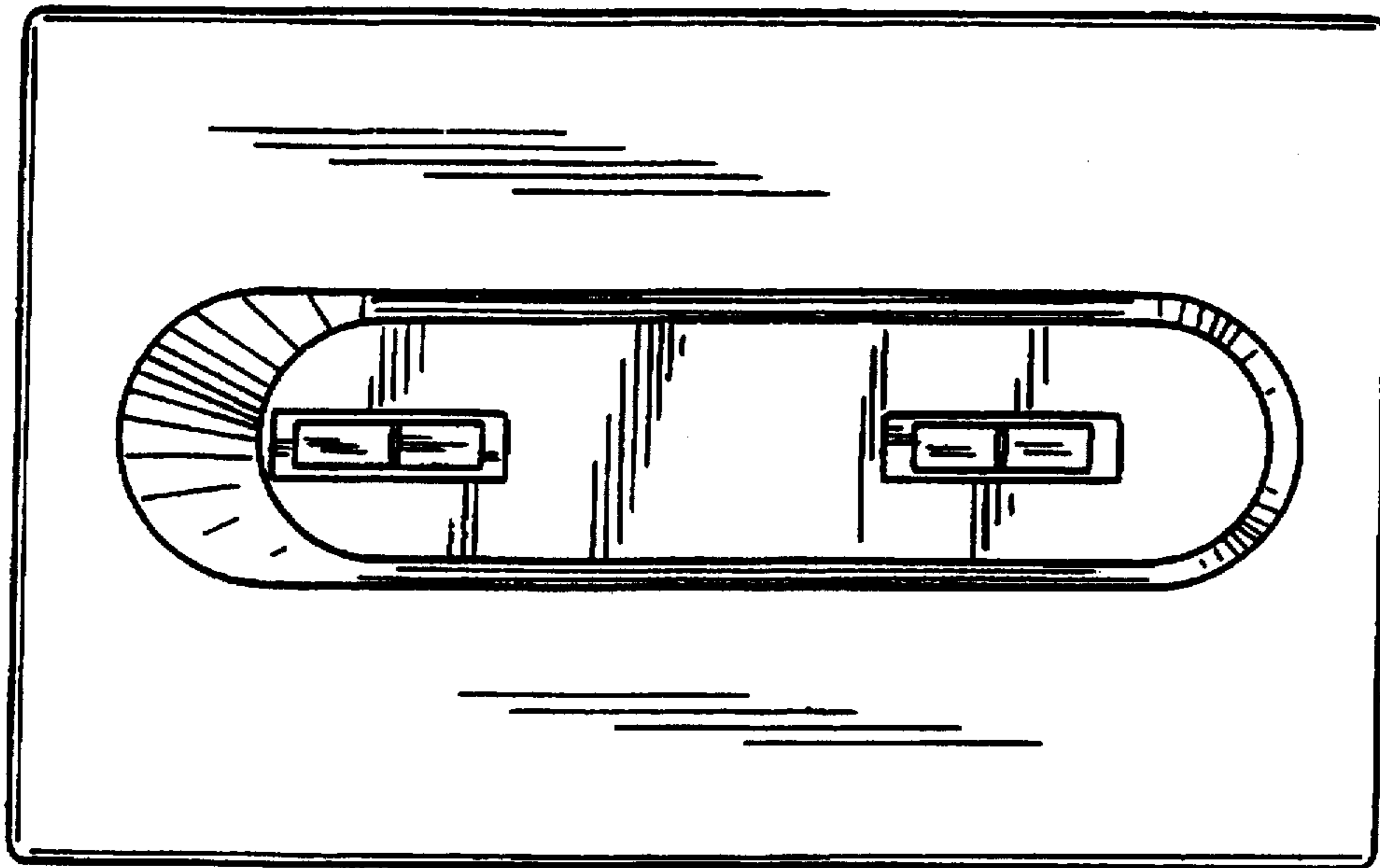


FIG.3

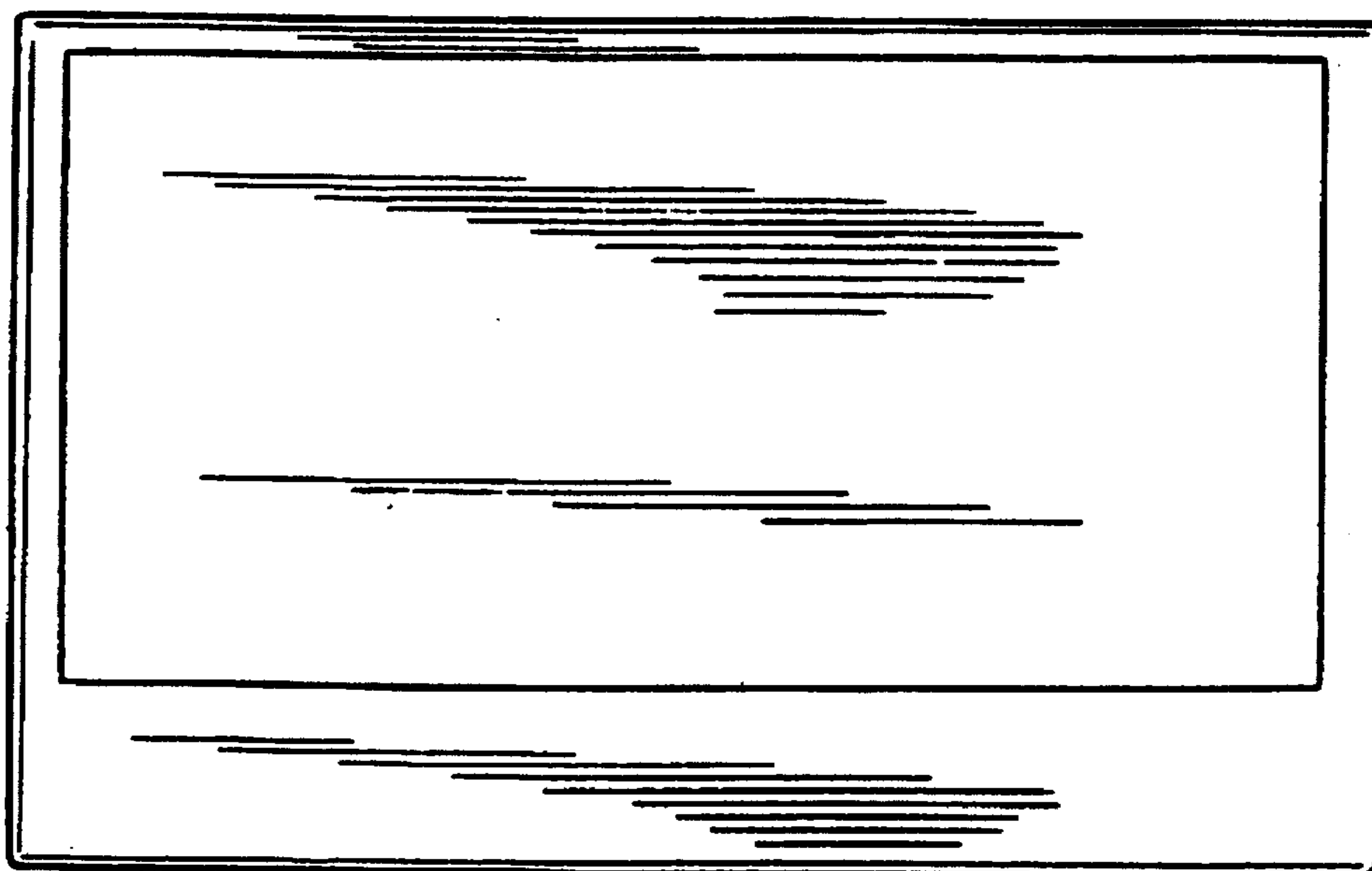


FIG.4

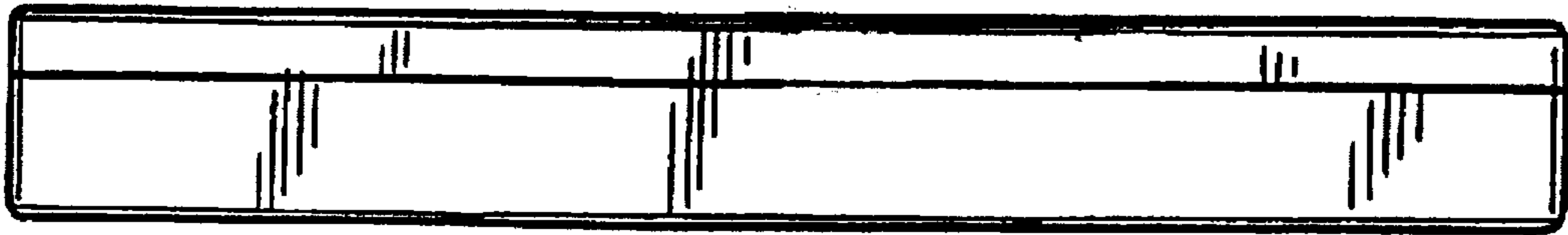


FIG. 5



FIG. 6

FIG. 7

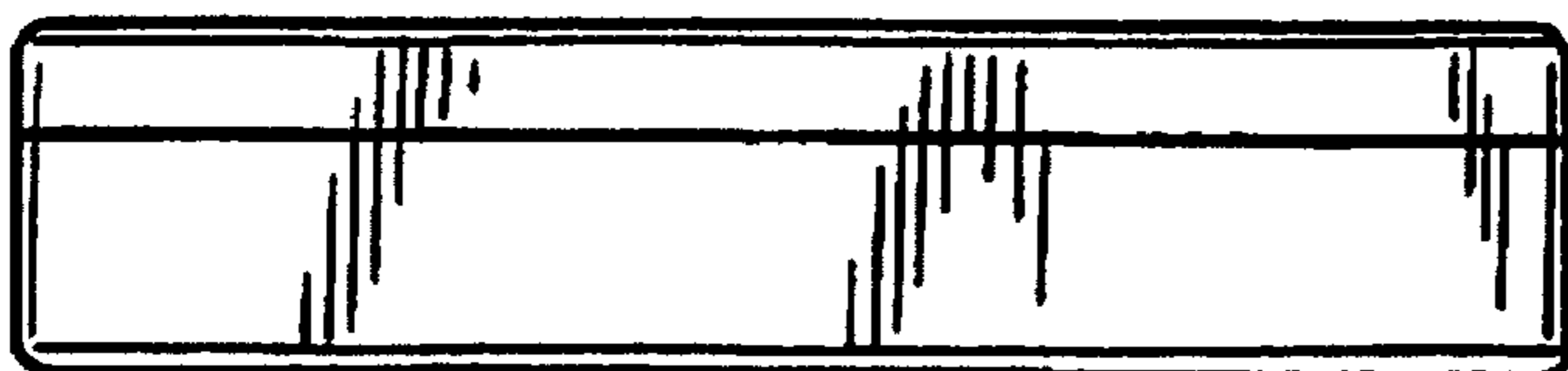
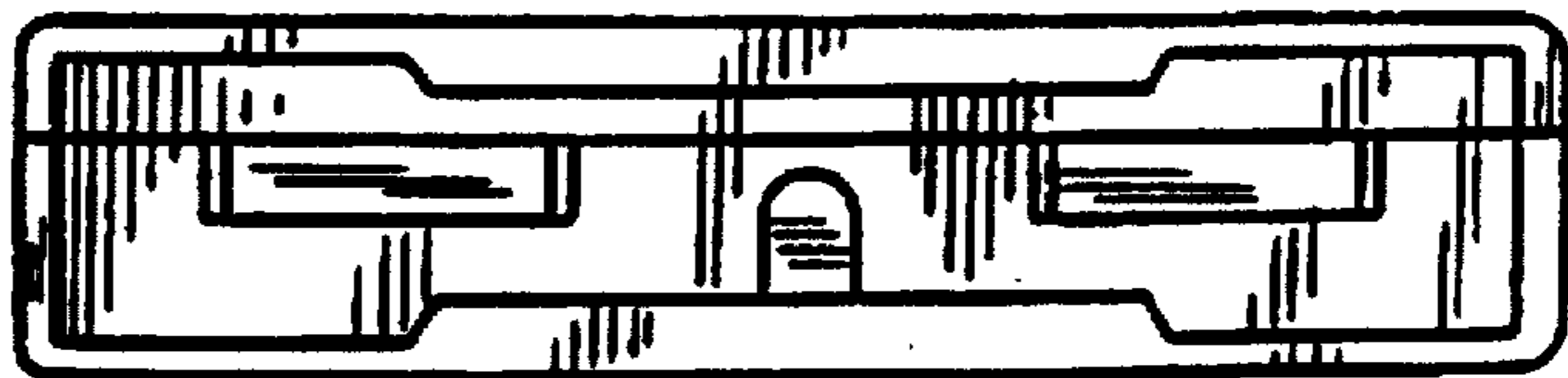


FIG. 8