



US00D386914S

# United States Patent [19]

[11] Patent Number: **Des. 386,914**

Proano et al.

[45] Date of Patent: **\*\*Dec. 2, 1997**

## [54] CONVERTIBLE CRIB IN BED CONFIGURATION

[76] Inventors: **Lou Proano; Rene D. Proano**, both of 1648 Channelside Trail, Baldwinsville, N.Y. 13027

[\*\*] Term: **14 Years**

[21] Appl. No.: **44,366**

[22] Filed: **Sep. 22, 1995**

[51] LOC (6) Cl. .... **06-01**

[52] U.S. Cl. .... **D6/395**

[58] Field of Search ..... D6/382, 383, 389-395, D6/505-508; 5/53.1, 279.1, 239, 240

### [56] References Cited

#### U.S. PATENT DOCUMENTS

D. 90,386	7/1933	Shaw	.....	D6/394
D. 356,452	3/1995	Proano et al.	.	
D. 368,179	3/1996	Brunner et al.	.....	D6/395
D. 370,364	6/1996	Proano et al.	.....	D6/395
2,406,496	8/1946	Hambacher	.....	D6/395
5,077,846	1/1992	Wheeler, III et al.	.....	5/93.1
5,173,974	12/1992	Proano et al.	.	

*Primary Examiner*—Janice E. Seeger  
*Attorney, Agent, or Firm*—August E. Roehrig, Jr.

### [57] CLAIM

The ornamental design for a convertible crib in bed configuration, as shown and described.

### DESCRIPTION

FIG. 1 is a perspective view of a convertible crib in bed configuration;

FIG. 2 is a front elevational view;

FIG. 3 is a rear elevational view;

FIG. 4 is a right side elevational view with the left side being a mirror image thereof;

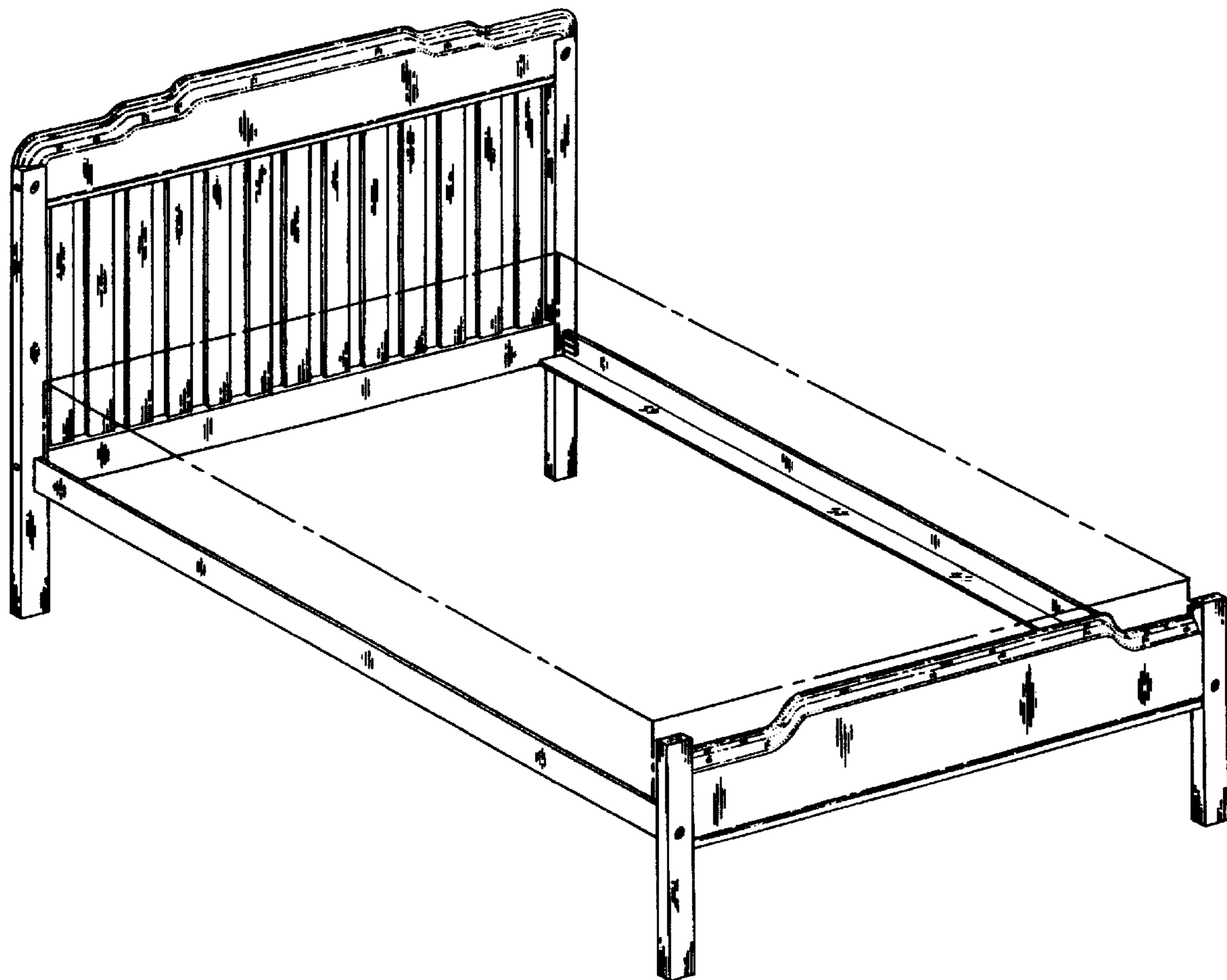
FIG. 5 is a top plan view thereof;

FIG. 6 is an enlarged cross-sectional view taken along lines 6—6 to better illustrate the contours thereof; and,

FIG. 7 is an enlarged cross-sectional view taken along lines 7—7 to better illustrate the contours thereof.

The broken line showing of a mattress is certain of the figures is for illustrative purposes only, and forms no part of the claimed design.

**1 Claim, 6 Drawing Sheets**



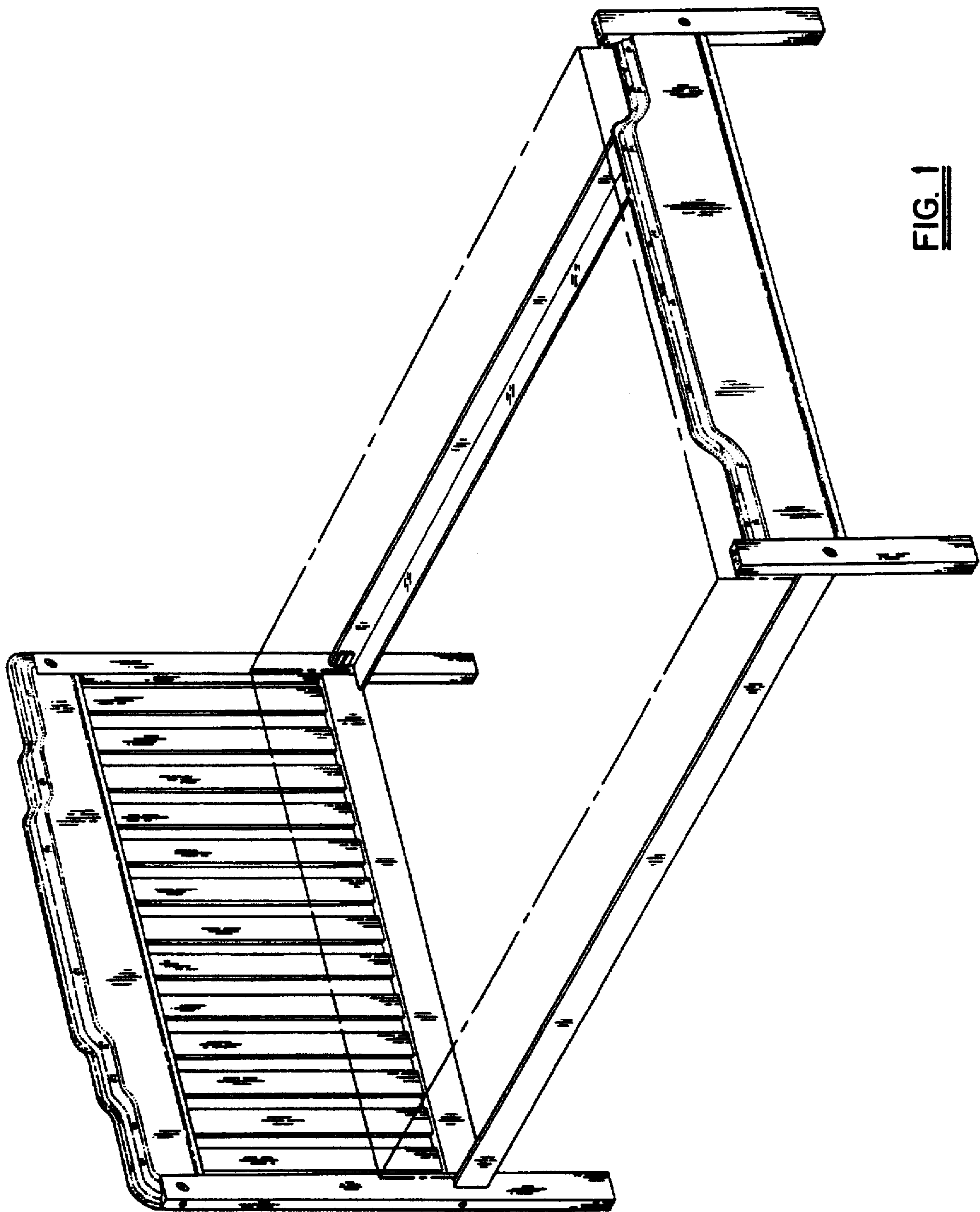


FIG. 1

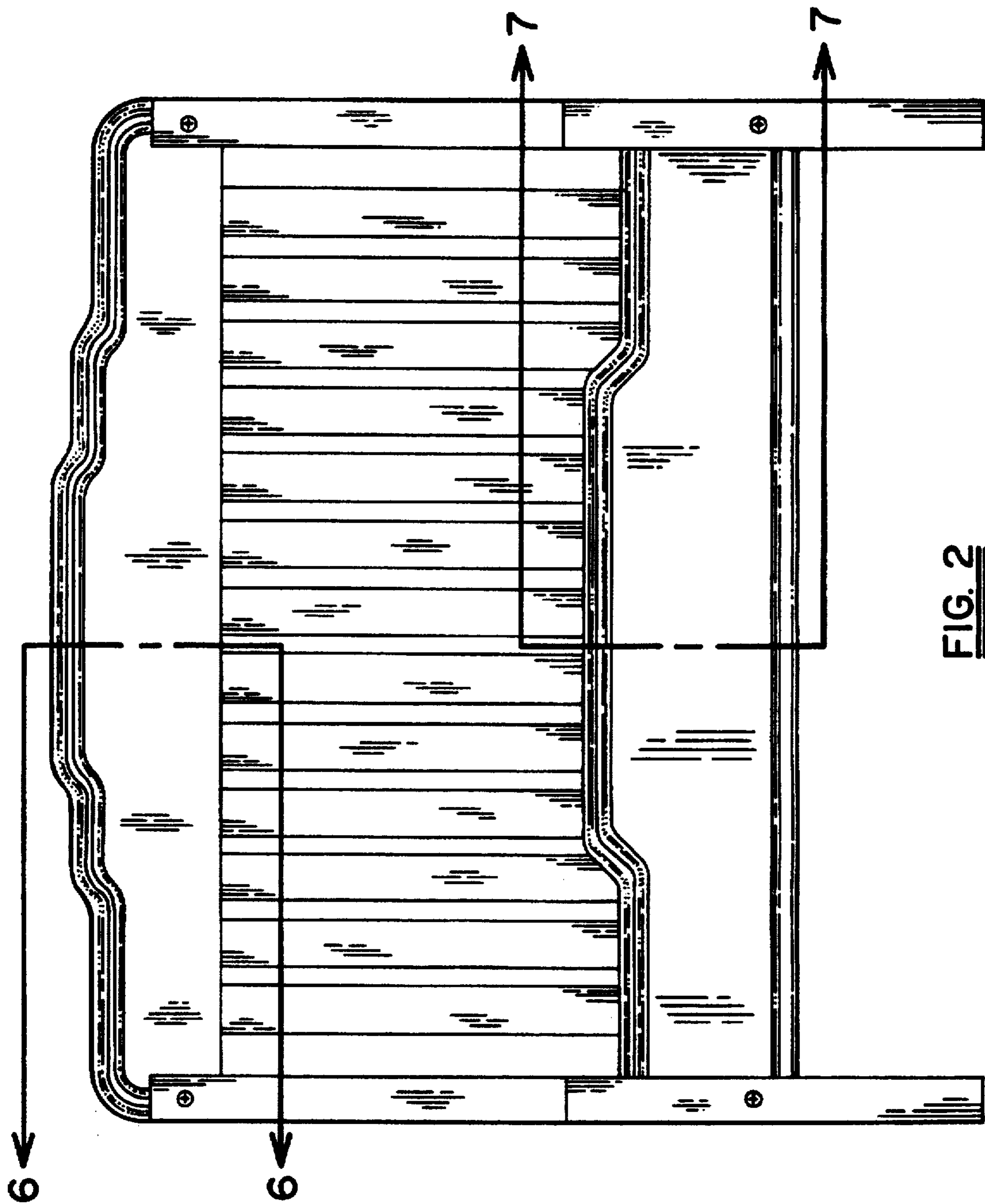


FIG. 2

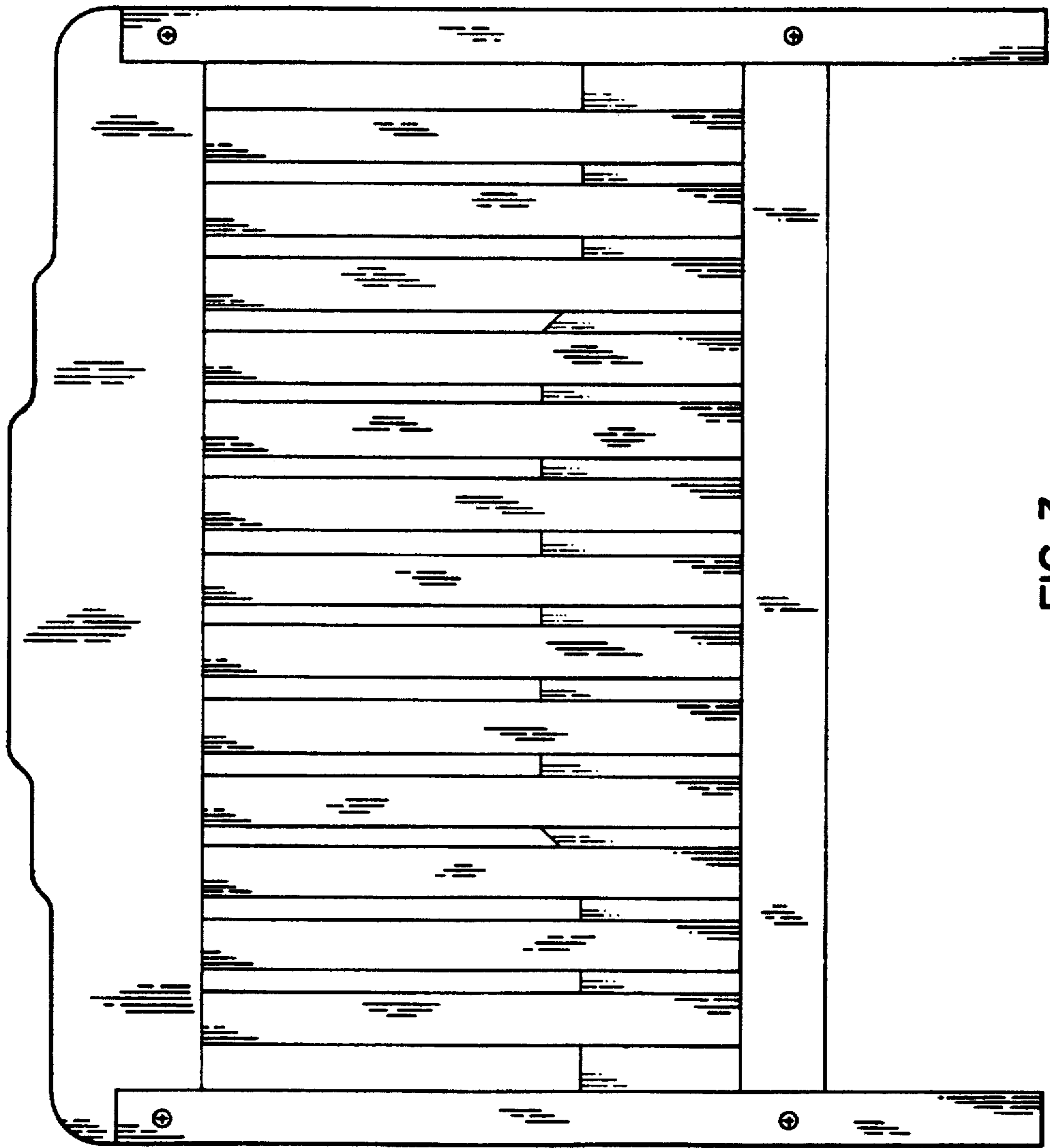


FIG. 3

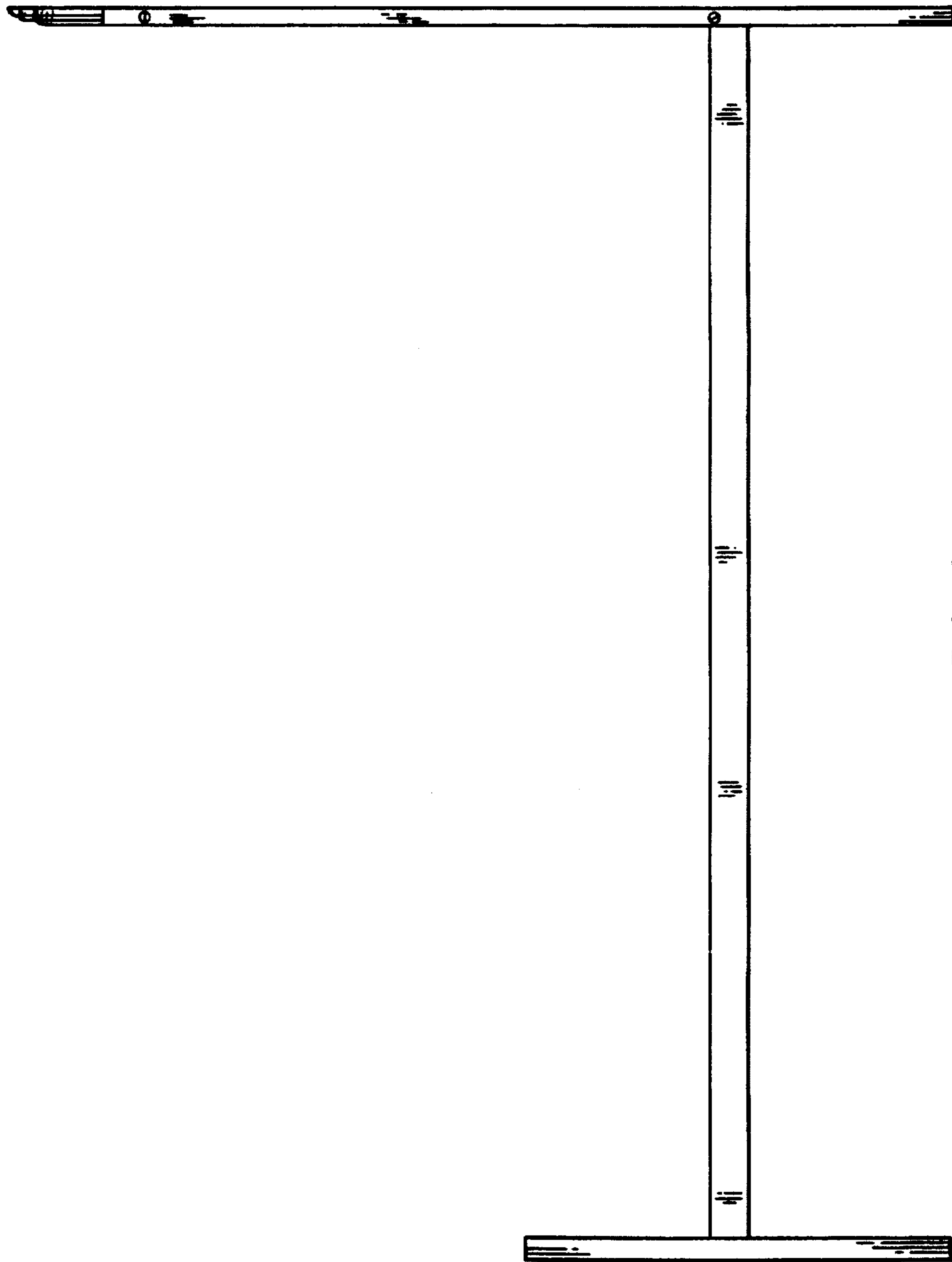


FIG. 4

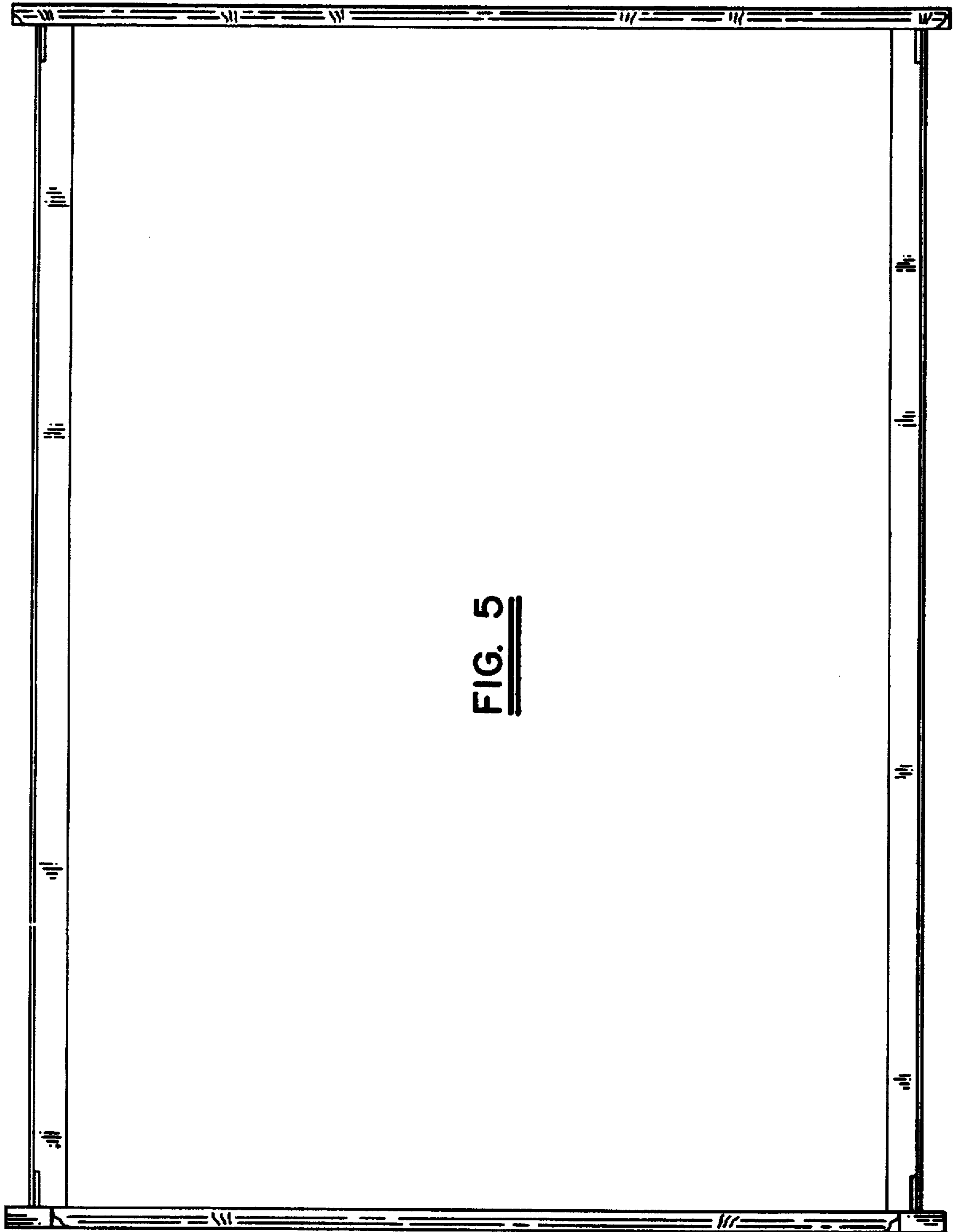


FIG. 5

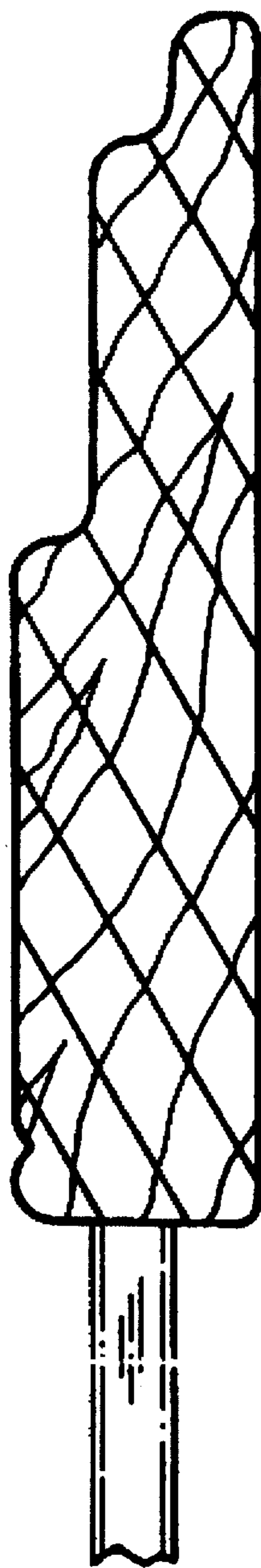


FIG. 6



FIG. 7