



US00D386912S

United States Patent [19]

Diaz-Azcuy

[11] **Patent Number: Des. 386,912**

[45] **Date of Patent: **Dec. 2, 1997**

[54] **CHAIR**

[75] **Inventor: Orlando Diaz-Azcuy, San Francisco, Calif.**

[73] **Assignee: McGuire Furniture Company, Inc., San Francisco, Calif.**

[**] **Term: 14 Years**

[21] **Appl. No.: 51,423**

[22] **Filed: Mar. 11, 1996**

[51] **LOC (6) Cl. 06-01**

[52] **U.S. Cl. D6/380; D6/369; D6/379**

[58] **Field of Search D6/334, 369, 370, D6/374, 379, 380, 500, 501, 502; 297/445.1, 446.1, 452.64**

[56] **References Cited**

U.S. PATENT DOCUMENTS

D. 80,085	12/1929	Nevin	D6/369
D. 101,404	9/1936	Salomon	D6/380
D. 228,989	11/1973	Furey	D6/380
D. 259,841	7/1981	Mioni	D6/380
D. 289,469	4/1987	Tonon	D6/379
D. 311,098	10/1990	Lee et al.	D6/380
D. 332,531	1/1993	Guion	D6/379
D. 340,364	10/1993	Caldwell	D6/370
D. 364,751	12/1995	Keller	D6/379
D. 367,370	2/1996	Berry, Jr. et al.	D6/374

OTHER PUBLICATIONS

Bloomington, p. 15, Chair "H" at top center.
Furniture of the Ancient World by Hoelis S. Baker, p. 227, Picture No. 366, undated.
 McGuire Catalog dated 1985, 1987, 1992, p. 7 for Model M-154c/SL Chair.
 McGuire Catalog dated 1985, 1987, 1992, p. 25 for Models M-91, M-90, M-191c, M-191cB chairs.

McGuire Catalog dated 1985, 1987, 1992, p. 29 for Models M-154c/SL, CBB/SL and cB/SL chairs.

McGuire Catalog dated 1985, 1987, 1992, p. 32 for all model chairs.

McGuire Fellowship of Excellence Brochure for 1992. *The Antiques Directory of Furniture*, (Judith & Martin Miller, eds. 1985), p. 206, picture Nos. E2, E3.

The Antiques Directory of Furniture, (Judith & Martin Miller, eds. 1985), p. 223, picture Nos. E5, E8, E9.

Primary Examiner—Gary D. Watson
Attorney, Agent, or Firm—Merchant, Gould, Smith, Edell, Welter & Schmidt, P.A.

[57] **CLAIM**

The ornamental design for a chair, as shown and described.

DESCRIPTION

FIG. 1 is a perspective view taken from the top, front and right side of a chair embodying my new design;
 FIG. 2 is a front elevational view thereof;
 FIG. 3 is a rear elevational view thereof;
 FIG. 4 is a right side elevational view thereof, the left side elevational view being the mirror image of the right side shown;
 FIG. 5 is a top plan view thereof;
 FIG. 6 is a bottom plan view thereof;
 FIG. 7 is a perspective view taken from the top, front and right side of a second embodiment of my new design;
 FIG. 8 is a front elevational view thereof;
 FIG. 9 is a rear elevational view thereof;
 FIG. 10 is a right side elevational view thereof, the left side elevational view being the mirror image of the right side shown;
 FIG. 11 is a top plan view thereof;
 FIG. 12 is a bottom plan view thereof.

1 Claim, 6 Drawing Sheets

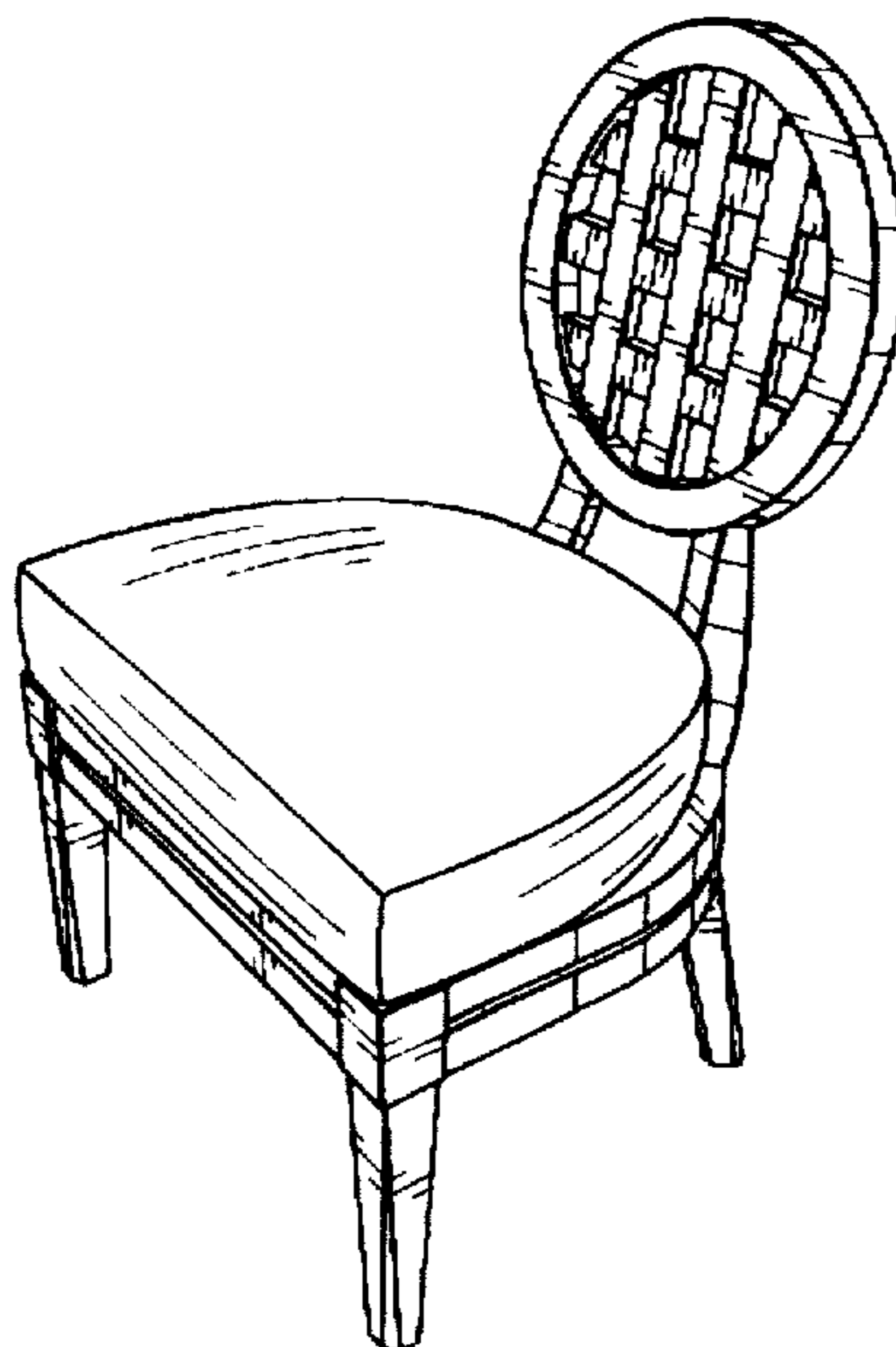


FIG. 2

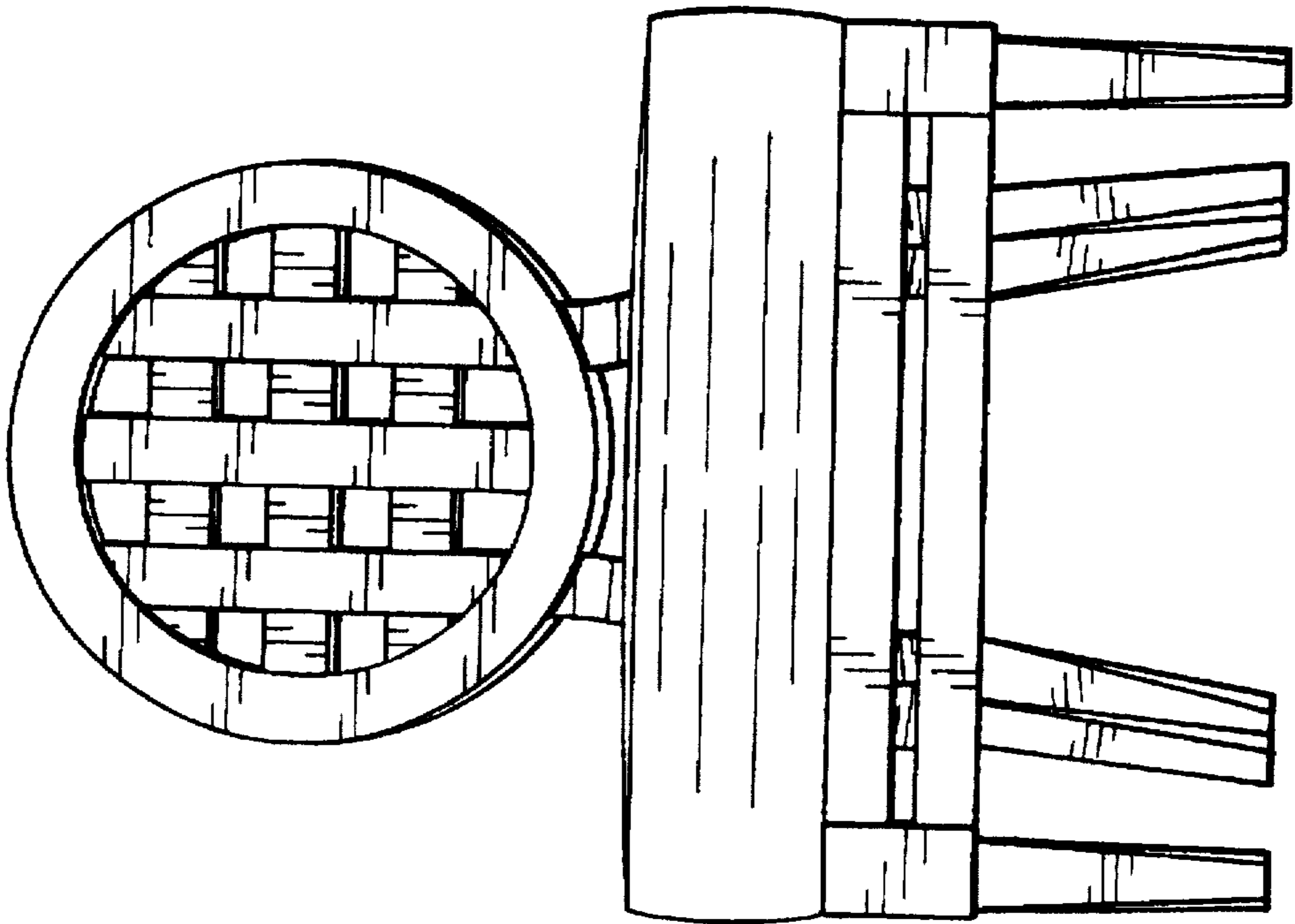


FIG. 1

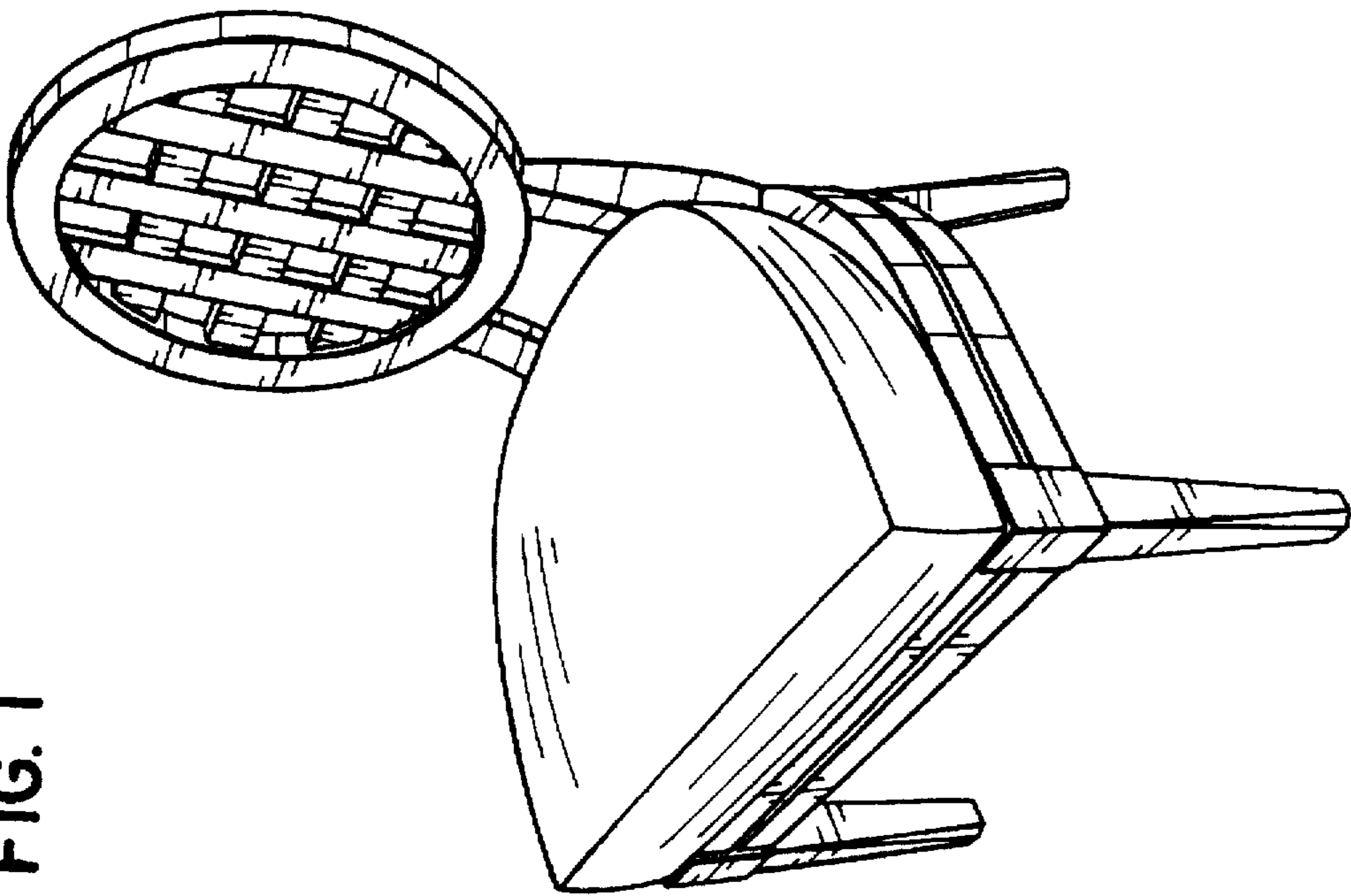


FIG. 4

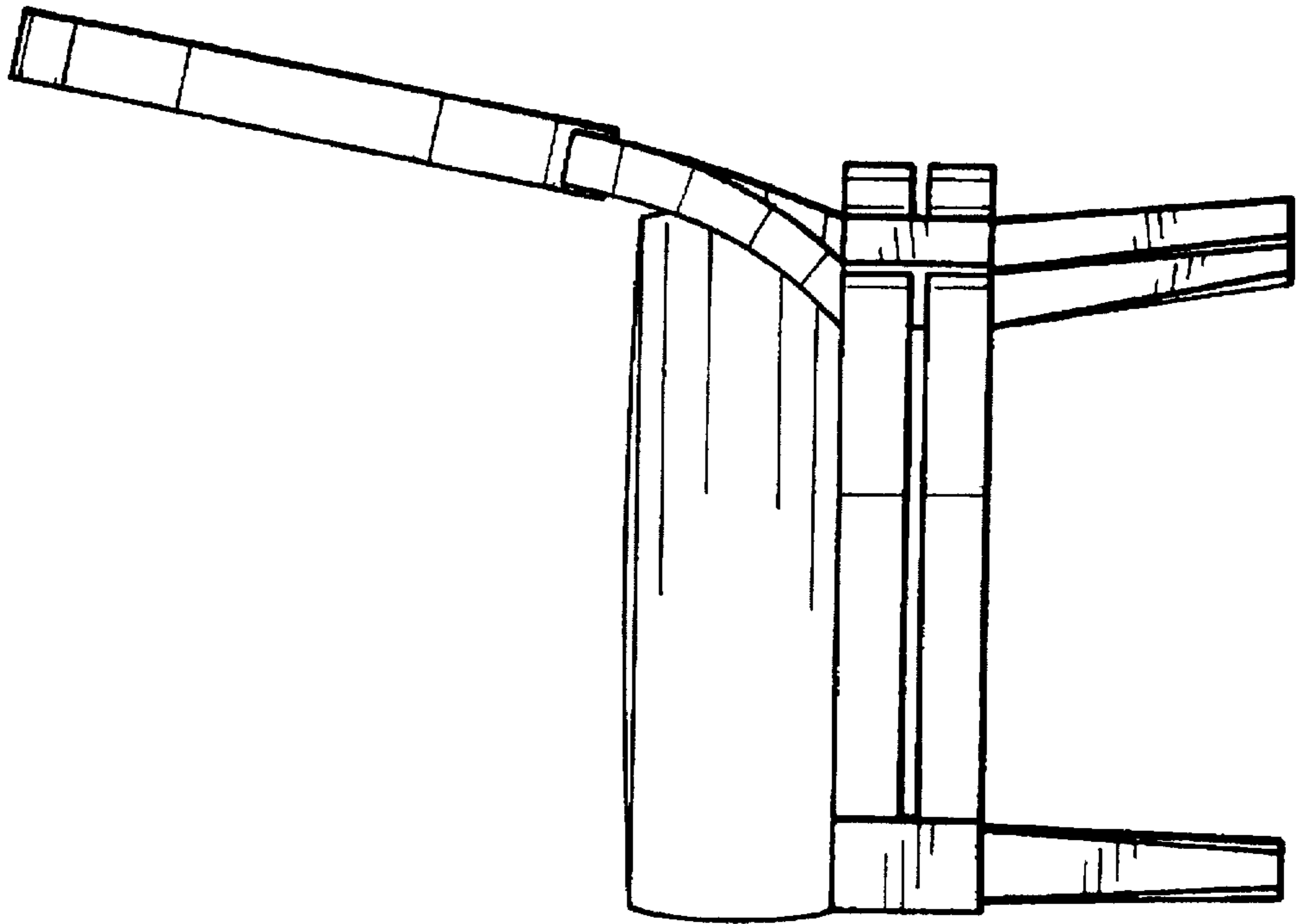


FIG. 3

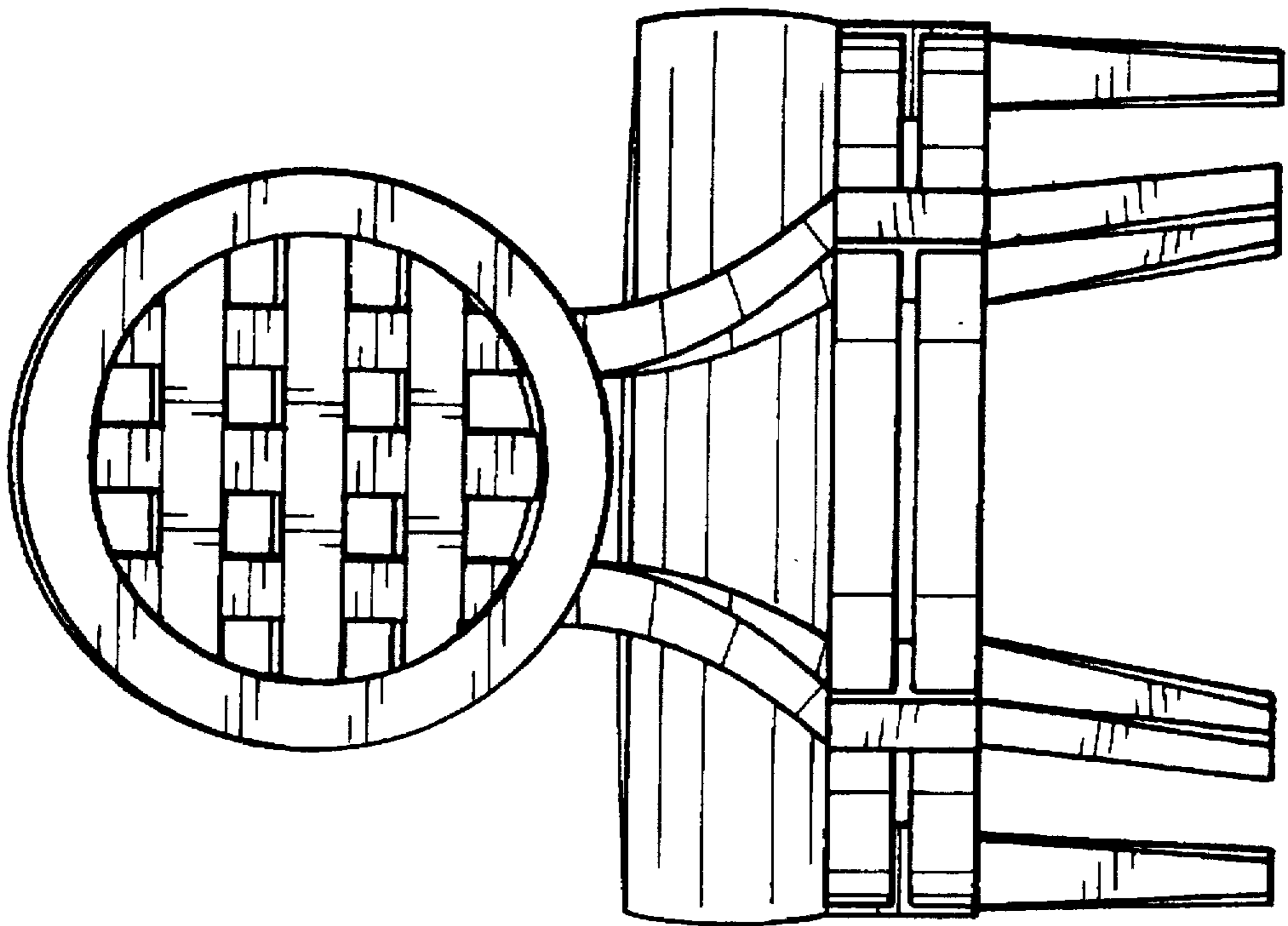


FIG. 6

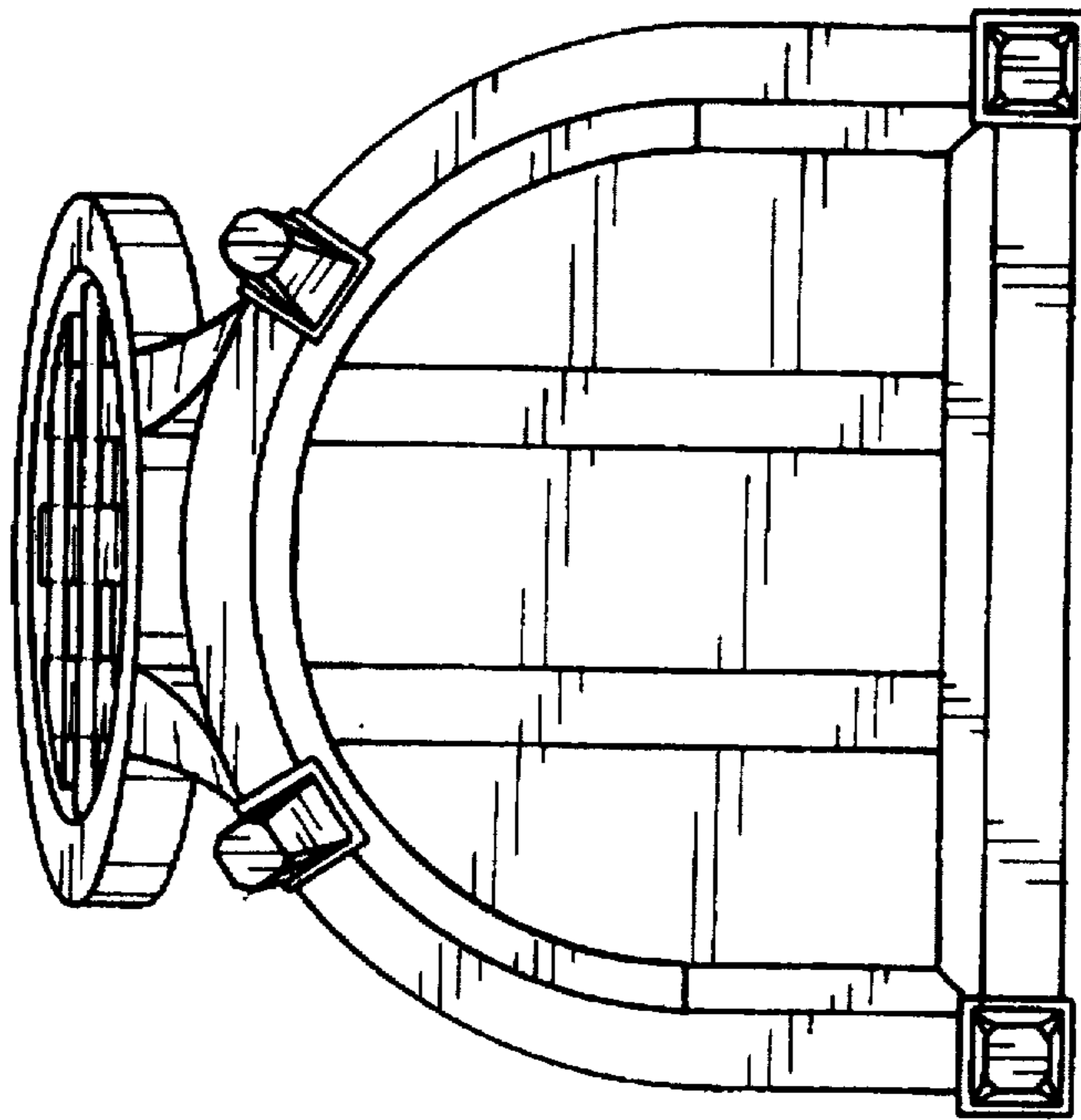


FIG. 5

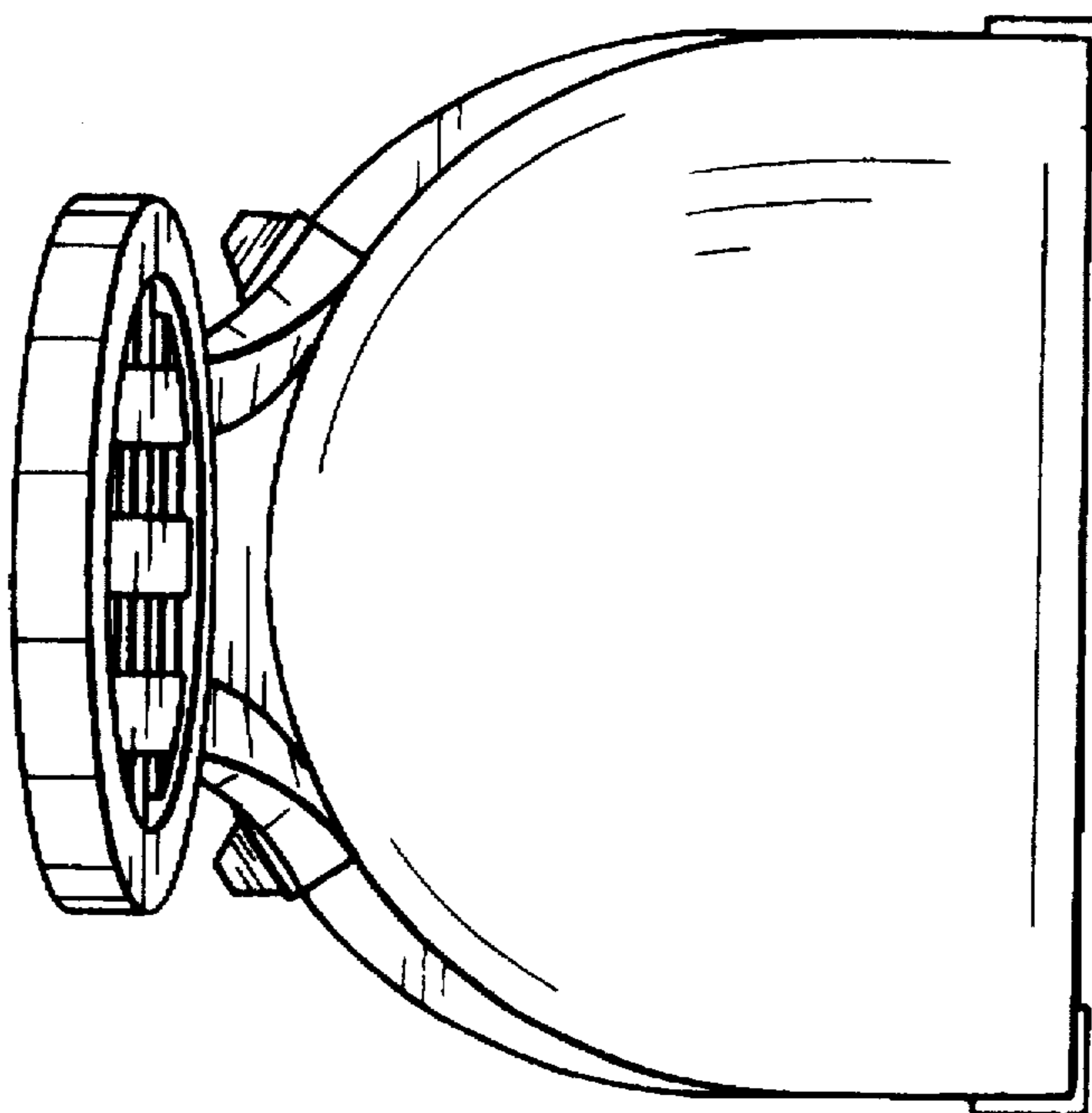


FIG. 8

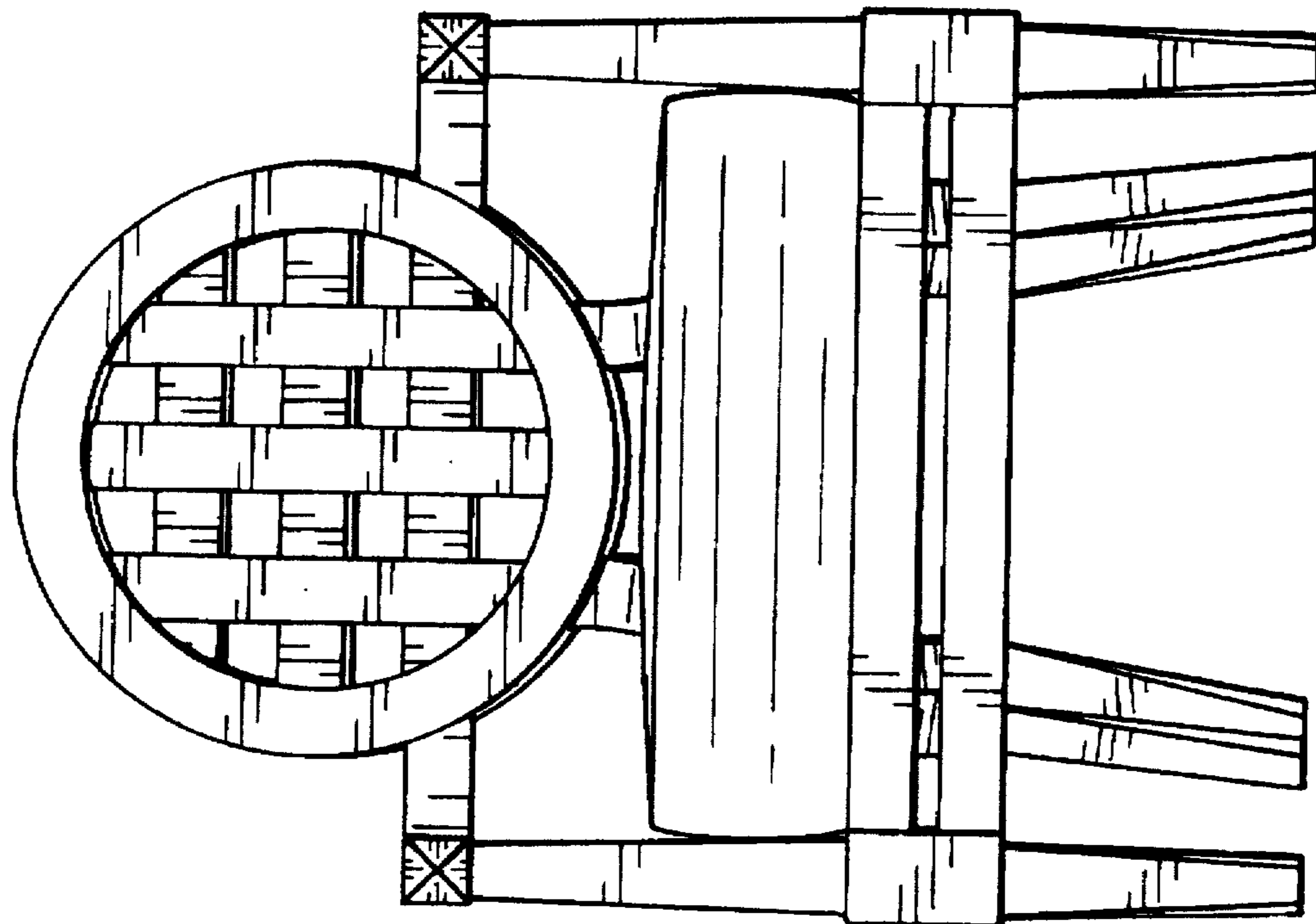


FIG. 7

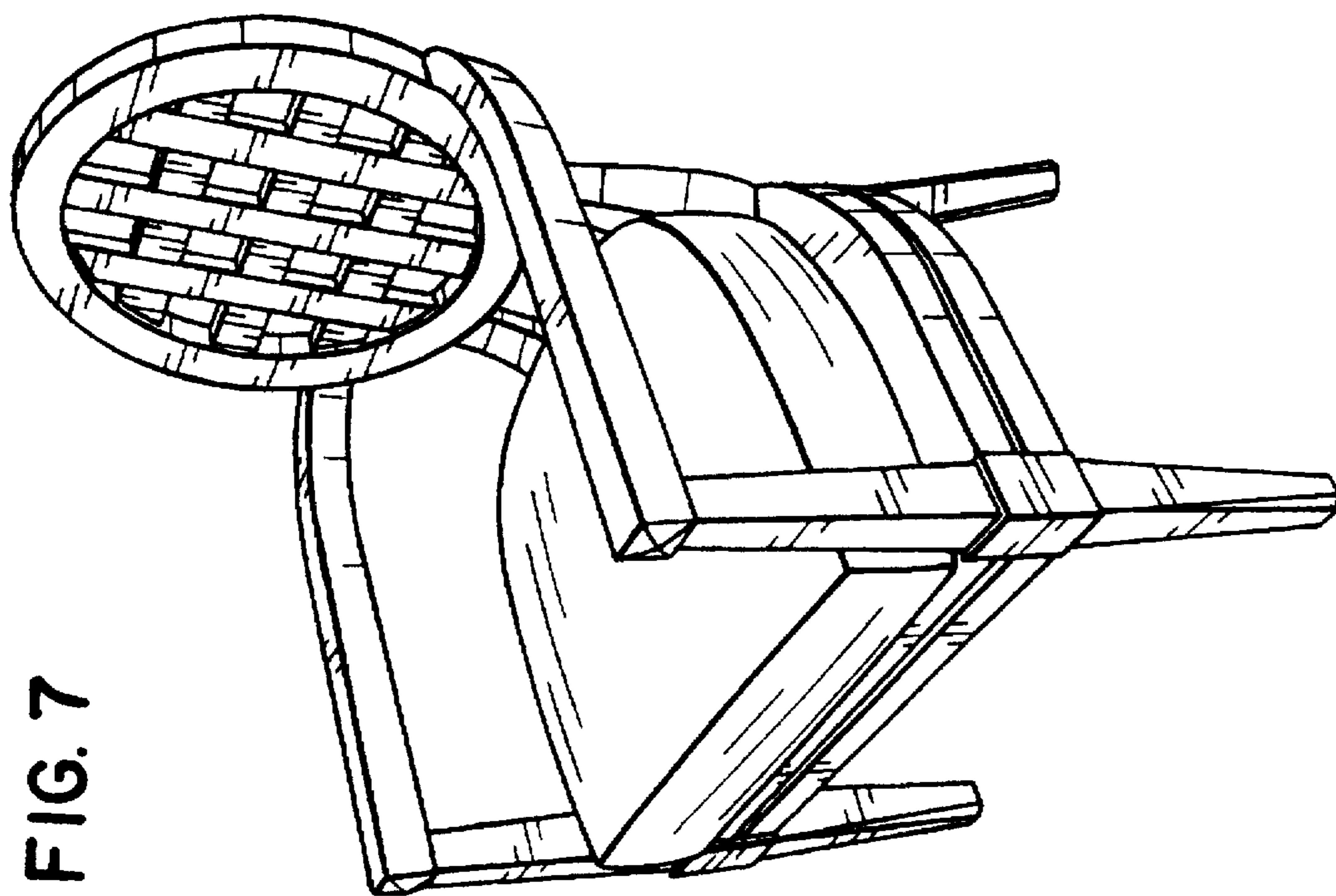


FIG. 10

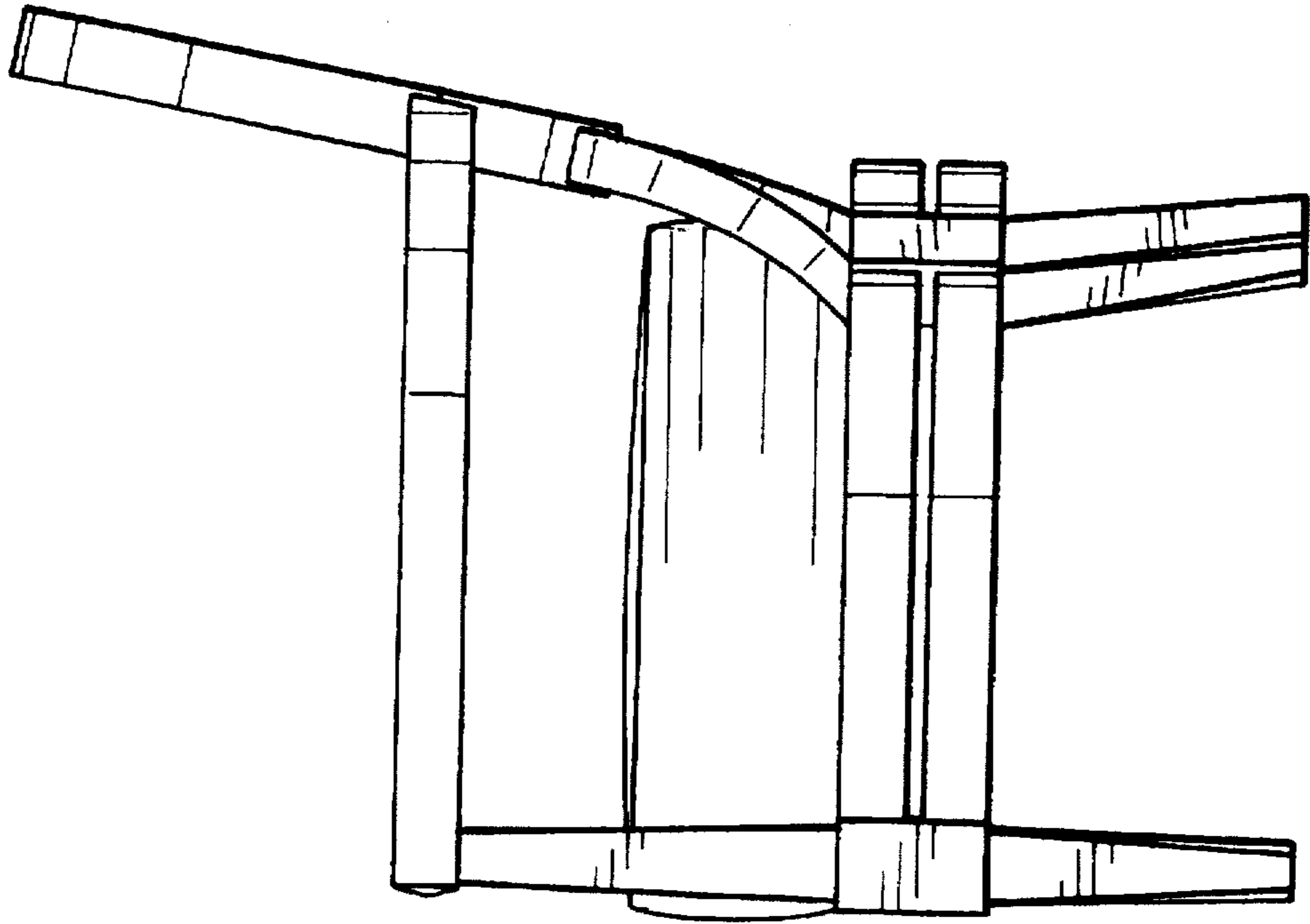


FIG. 9

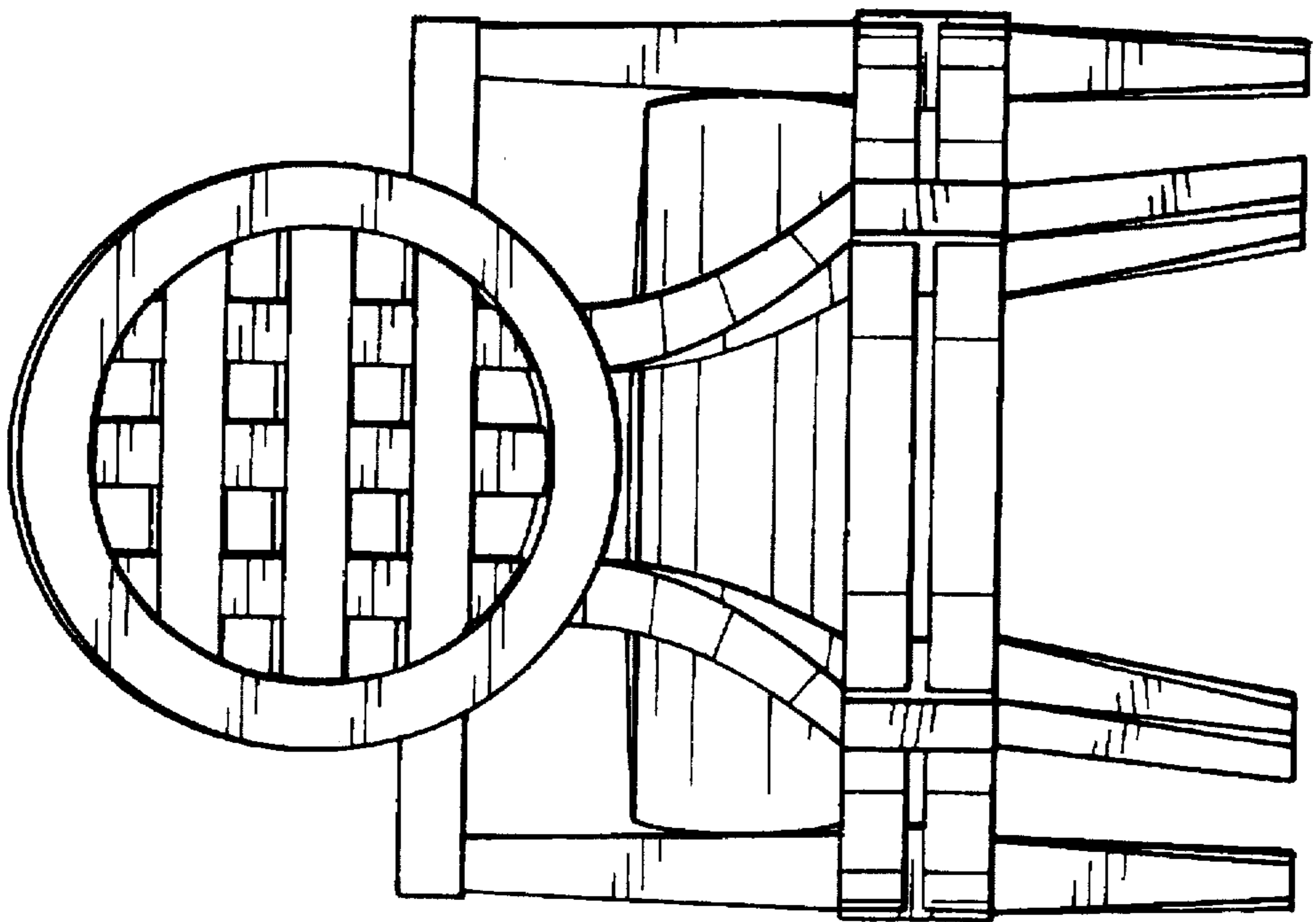


FIG. 12

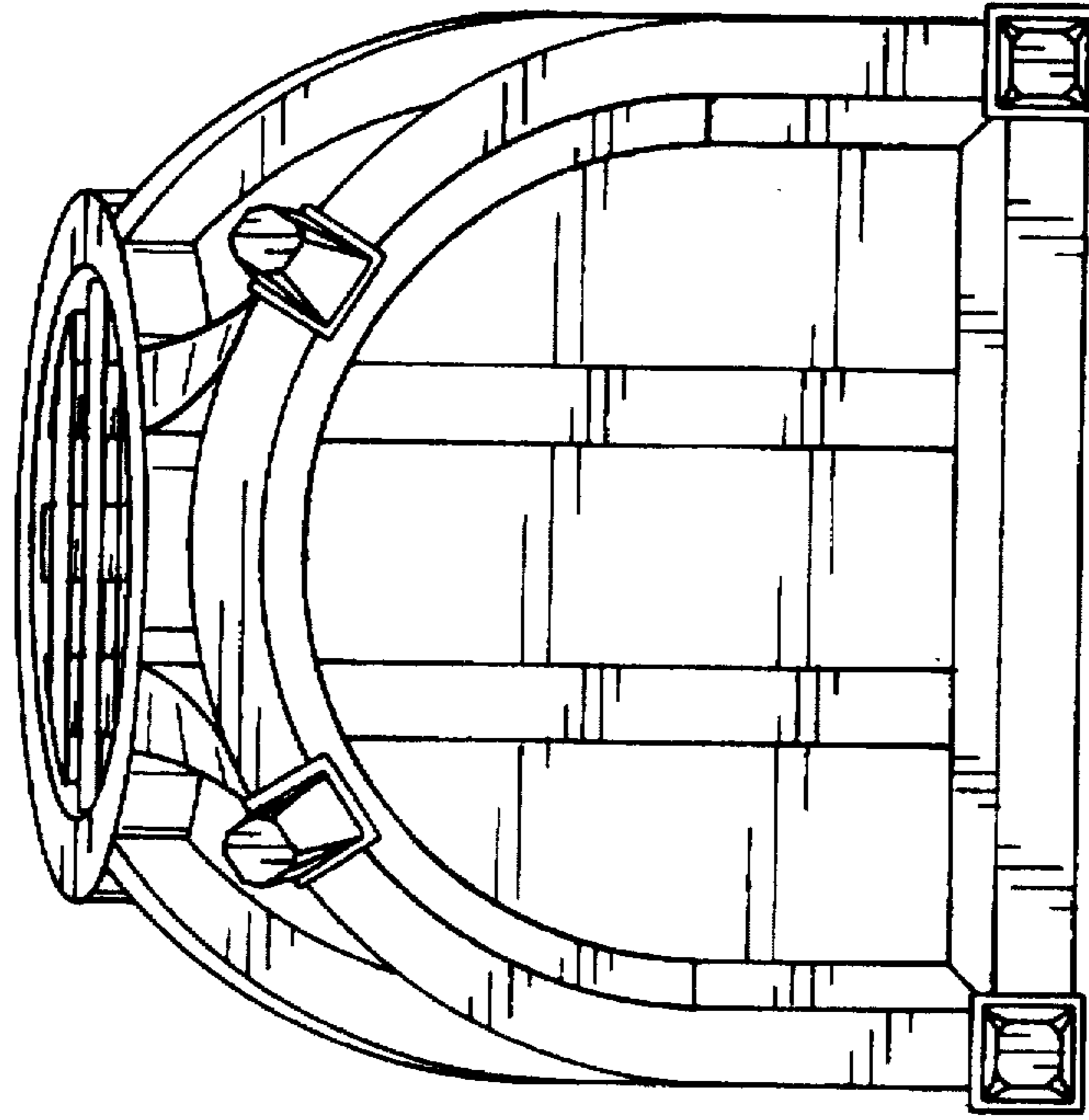


FIG. 11

