



US00D386911S

United States Patent [19]

[11] Patent Number: **Des. 386,911**

Perego

[45] Date of Patent: ****Dec. 2, 1997**

[54] **HIGH CHAIR WITH A FRAME HAVING REVERSED V-SHAPED LEGS AND A SHELL-SHAPED CHAIR WITH FOOTREST**

D. 365,936	1/1996	Haut et al.	D6/339
D. 368,593	4/1996	Cone, II	D6/339
5,507,550	4/1996	Maloney	297/153

[75] Inventor: **Gianluca Perego**, Arcore, Italy
 [73] Assignee: **Peg Perego Pines S.p.A.**, Arcore, Italy
 [**] Term: **14 Years**

OTHER PUBLICATIONS

Best catalog, May 1993, p. 65, Gerry adjustable high chair at bottom right.

Primary Examiner—Gary D. Watson
Attorney, Agent, or Firm—McGlew and Tuttle

[21] Appl. No.: **49,375**
 [22] Filed: **Jan. 24, 1996**

[57] CLAIM

[30] Foreign Application Priority Data

Jul. 25, 1995 [IT] Italy MI9500427

The ornamental design for a high chair with a frame having reversed V-shaped legs and a shell-shaped chair with footrest, as shown and described.

[51] LOC (6) Cl. **06-01**
 [52] U.S. Cl. **D6/339**
 [58] Field of Search D6/333, 334, 335,
 D6/339, 367, 368, 500, 501, 502; 297/16.1,
 153

DESCRIPTION

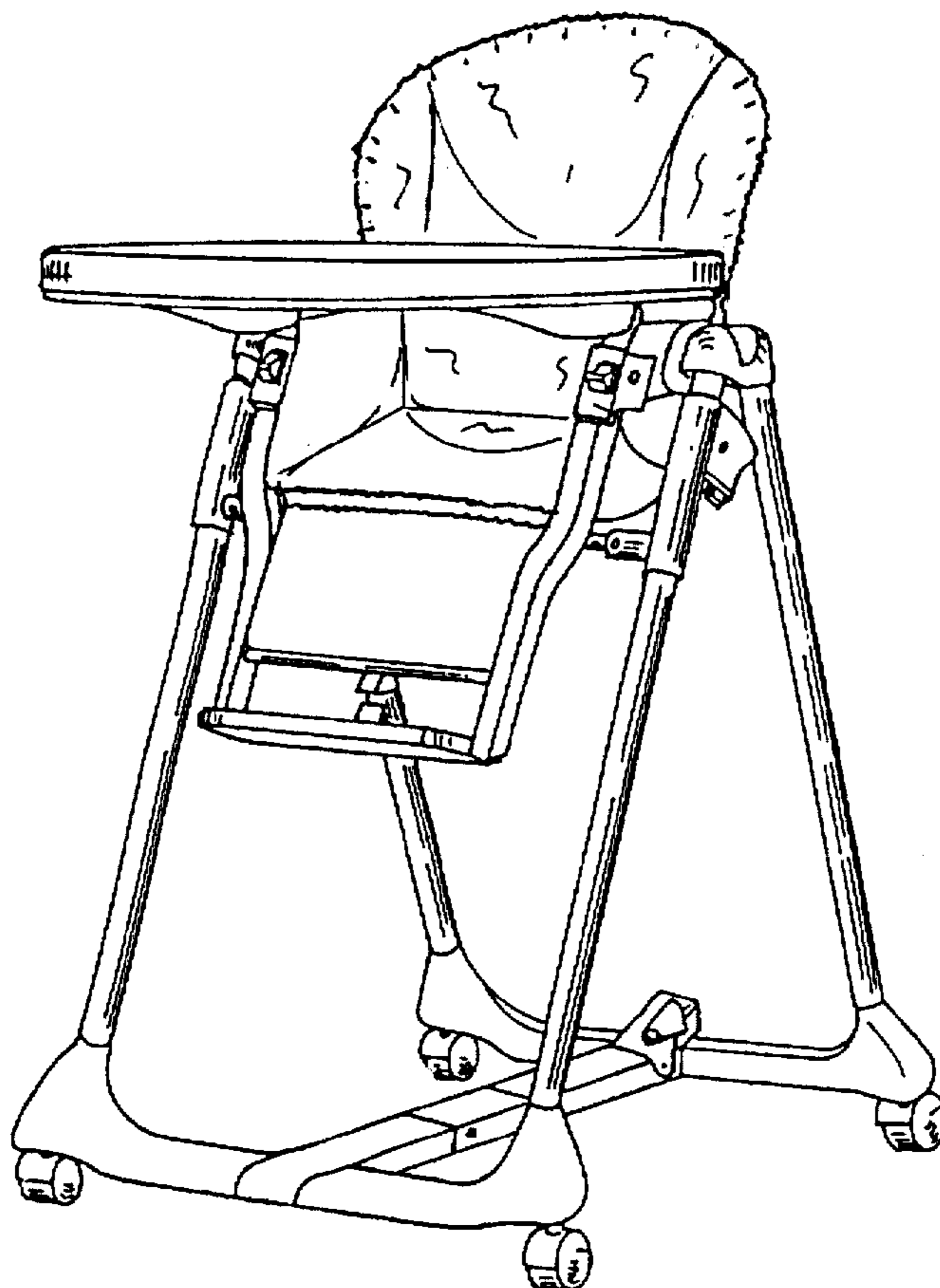
[56] References Cited

U.S. PATENT DOCUMENTS

D. 188,844	9/1960	Scheffey, Jr.	D6/339
D. 189,664	1/1961	Fulton	D6/339 X
D. 192,731	5/1962	Gelman	D6/339
D. 208,152	7/1967	Levy	D6/339
D. 344,189	2/1994	Golenz et al.	D6/339

FIG. 1 is a perspective view of the high chair having the chair in its raised position;
 FIG. 2, 3 and 4 are, respectively, lateral, front and rear views of the high chair shown in FIG. 1;
 FIG. 5 is a perspective view of the high chair having the chair in its lowered position; and,
 FIG. 6 is a lateral view of the high chair in its folded position.
 The broken lines shown in FIG. 4 around the edge of the seat cover represent stitching.

1 Claim, 3 Drawing Sheets



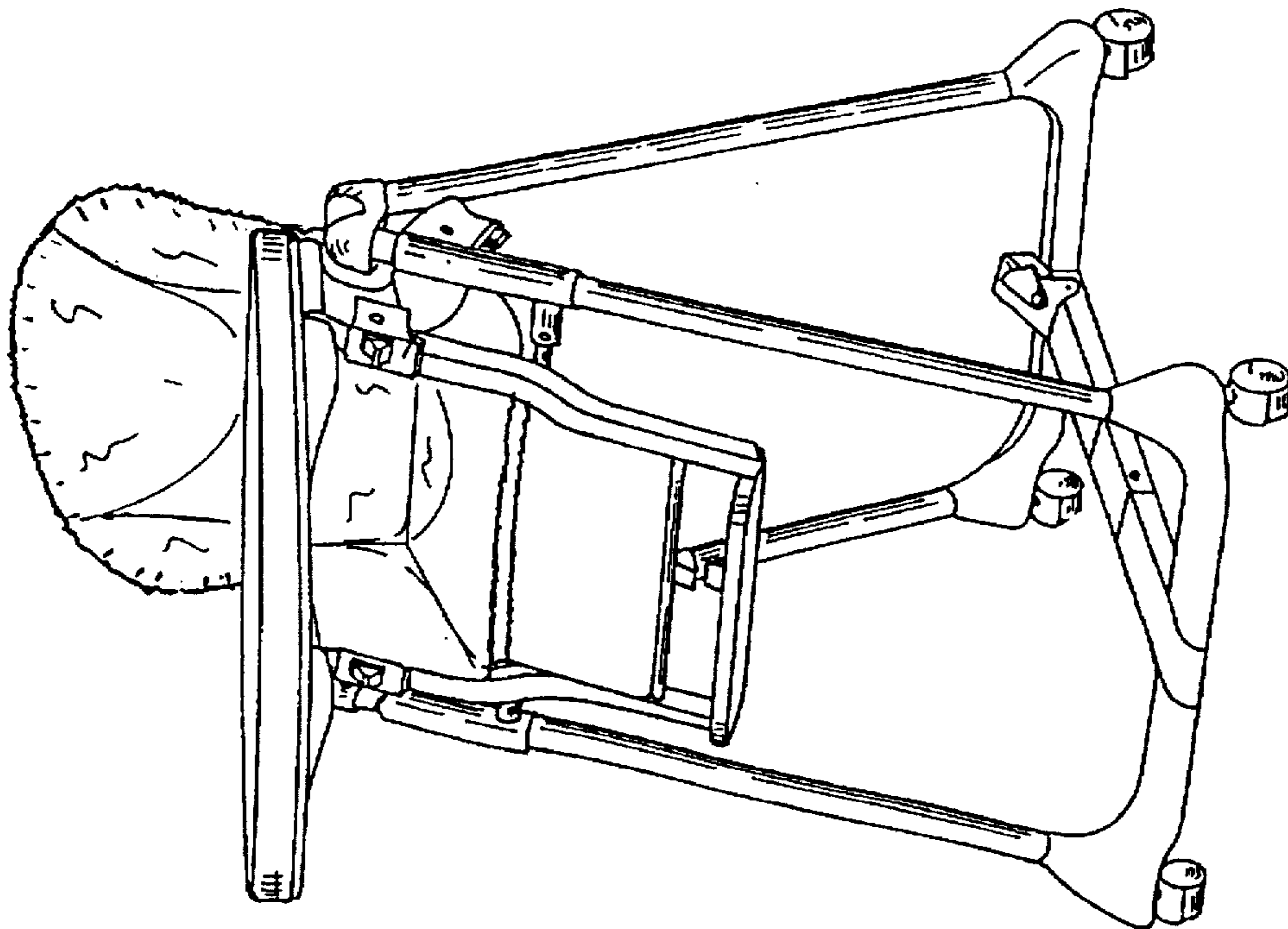


FIG. 1

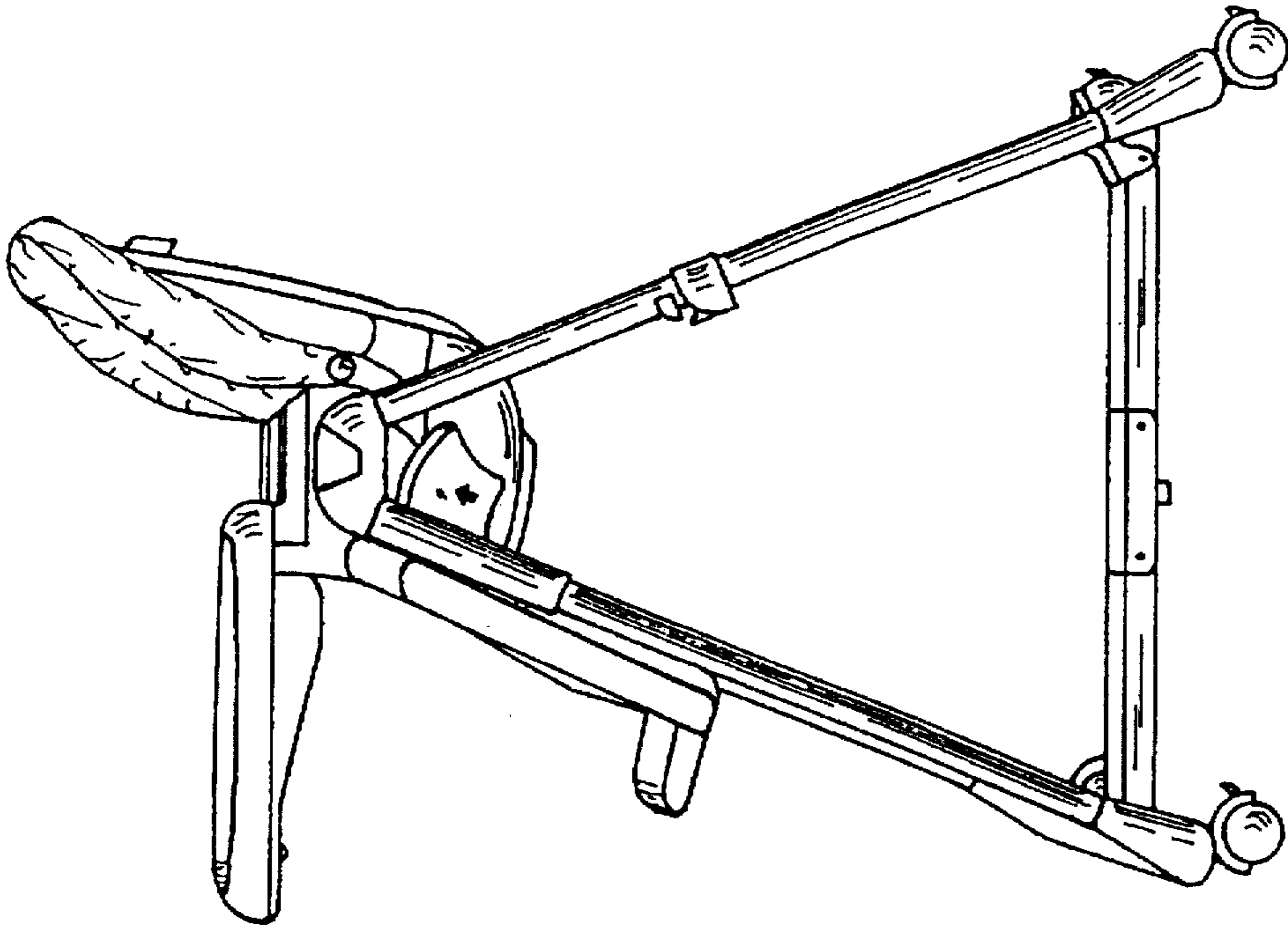


FIG. 2

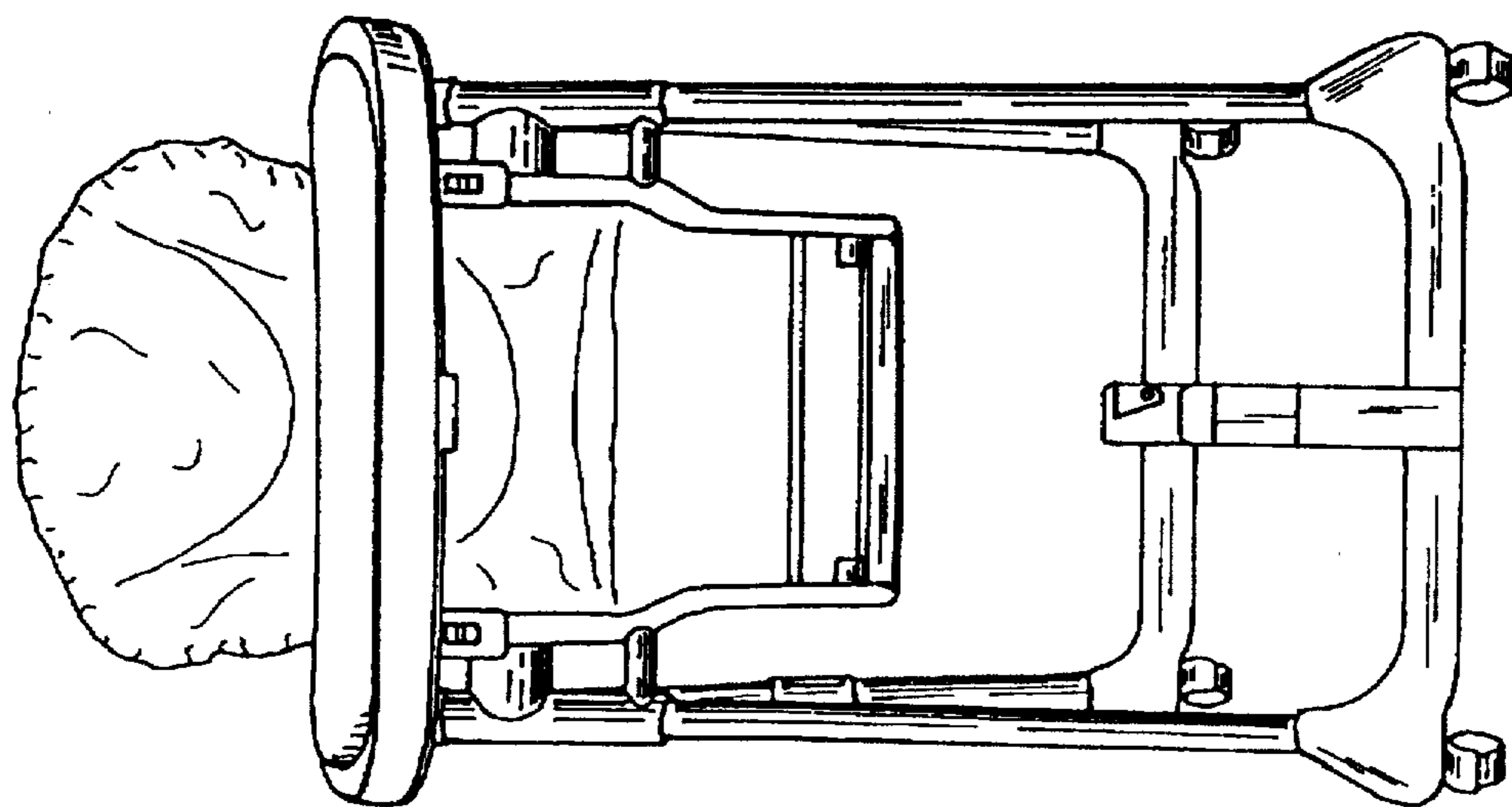


FIG. 3

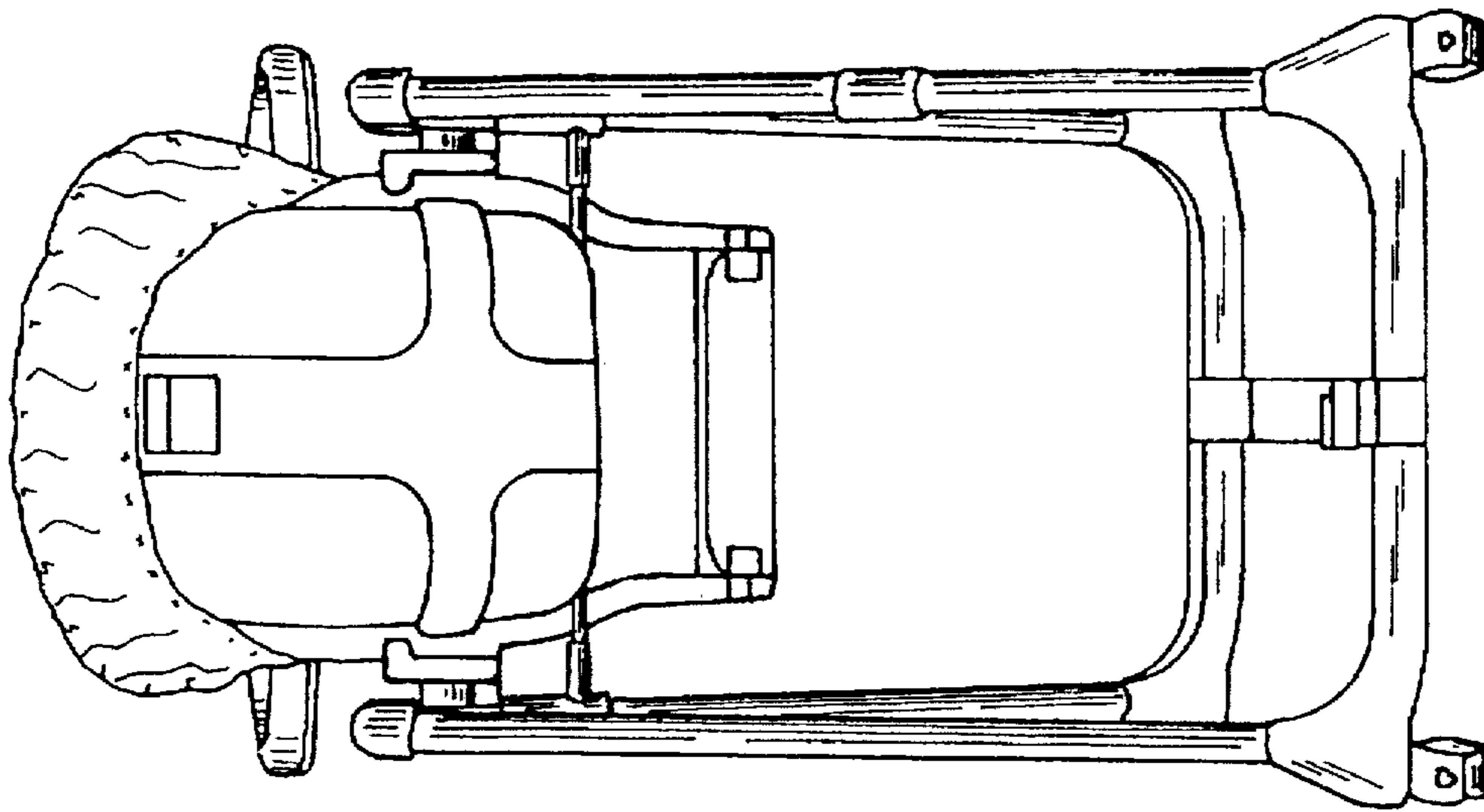


FIG. 4

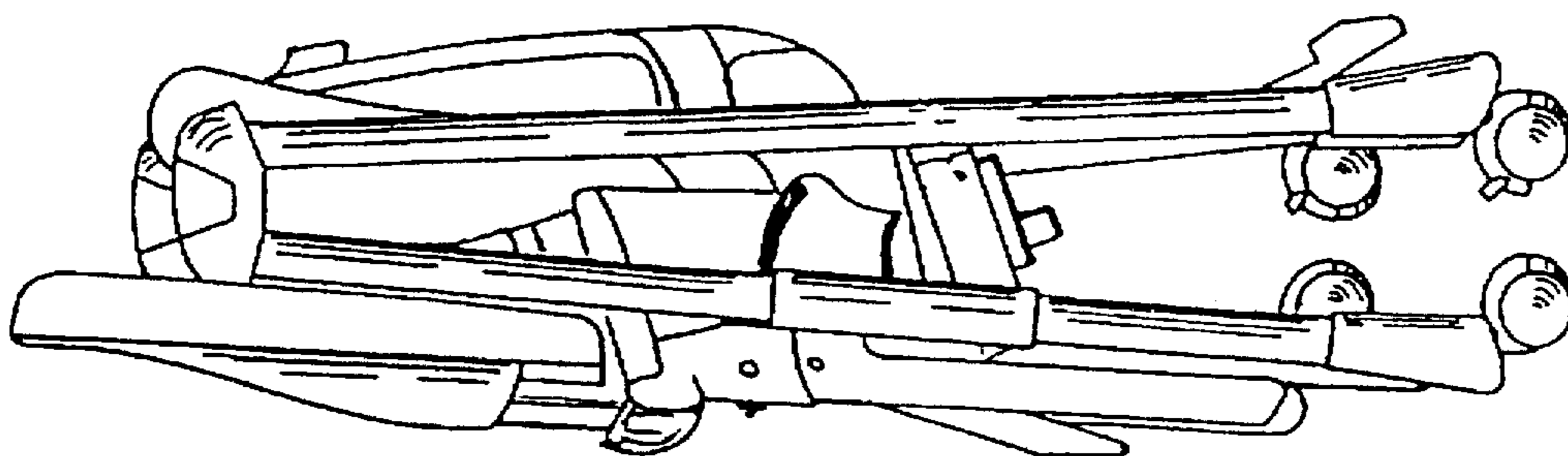


FIG. 6

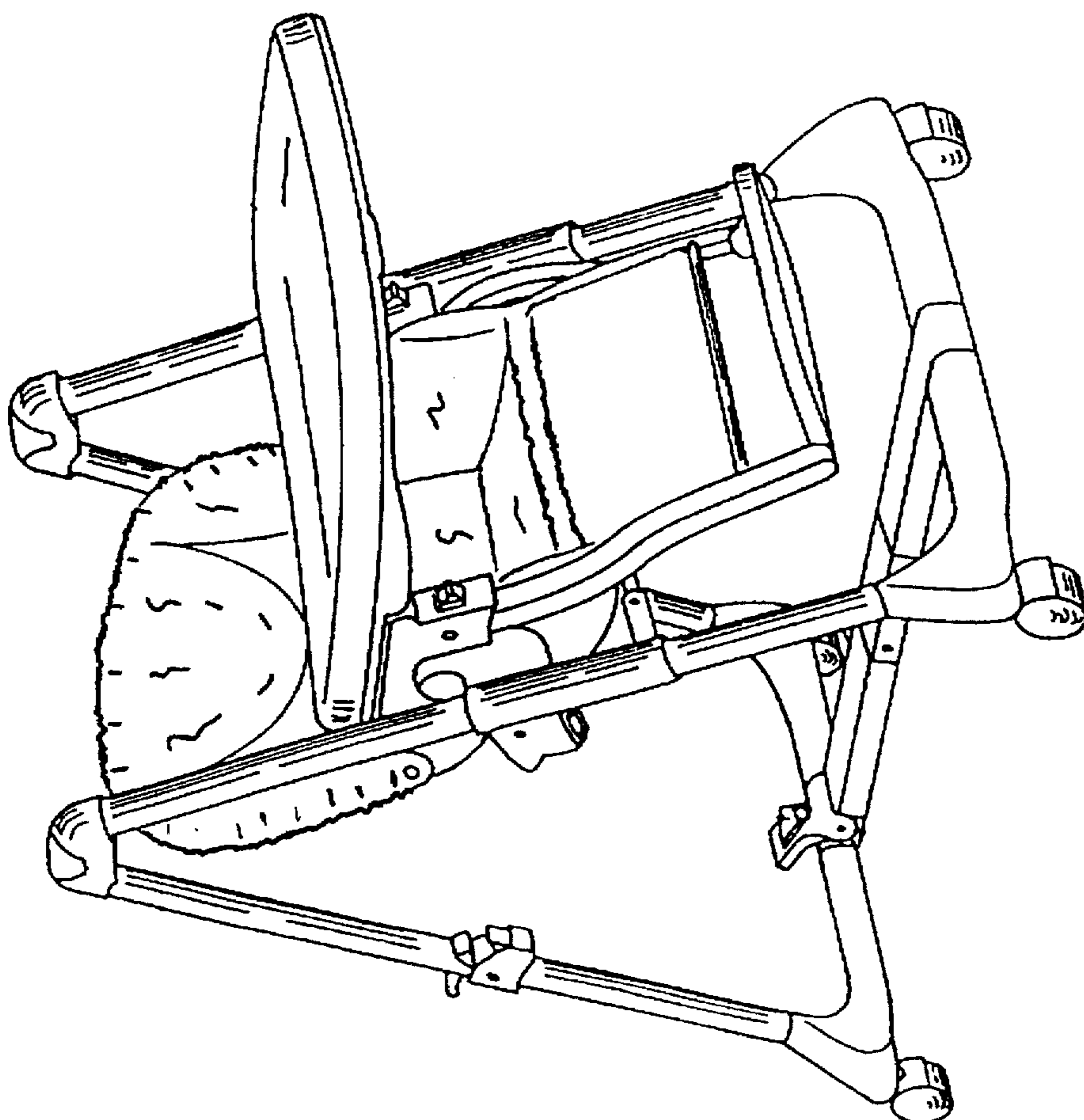


FIG. 5