



US00D386908S

United States Patent [19]

[11] Patent Number: **Des. 386,908**

Berti

[45] Date of Patent: ****Dec. 2, 1997**

[54] **BROOM SHROUD**

[75] Inventor: **Enzo Berti, Dolo/Venice, Italy**

[73] Assignee: **The Libman Company, Arcola, Ill.**

[**] Term: **14 Years**

[21] Appl. No.: **60,394**

[22] Filed: **Sep. 27, 1996**

[51] LOC (6) Cl. **04-99**

[52] U.S. Cl. **D4/199; D32/50**

[58] Field of Search **D32/50, 51, 52; 15/159, 160, 171, 173, 174, 175, 176.4; D4/130, 132, 135, 199**

[56] **References Cited**

U.S. PATENT DOCUMENTS

D. 144,971	6/1946	Hofman	15/171	X
1,901,542	3/1933	Wansor	.		
4,756,039	7/1988	Pardo	15/159.1	X

Primary Examiner—Susan J. Lucas
Assistant Examiner—Cynthia E. Ramirz
Attorney, Agent, or Firm—Marshall, O'Toole, Gerstein, Murray & Borun

[57] **CLAIM**

The ornamental design for a broom shroud, as shown and described.

DESCRIPTION

FIG. 1 is a perspective view of a broom shroud showing my new design;

FIG. 2 is a front view, the back view being a mirror image;

FIG. 3 is a top view;

FIG. 4 is a cross-section through lines 4—4 of FIG. 3;

FIG. 5 is a cross-section through lines 5—5 of FIG. 3;

FIG. 6 is a cross-section through lines 6—6 of FIG. 3;

FIG. 7 is a bottom view; and,

FIG. 8 is right-side view, the left-side view being a mirror image.

The broken lines represent portions of a handle and bristles, and form no part of the claimed design.

1 Claim, 3 Drawing Sheets

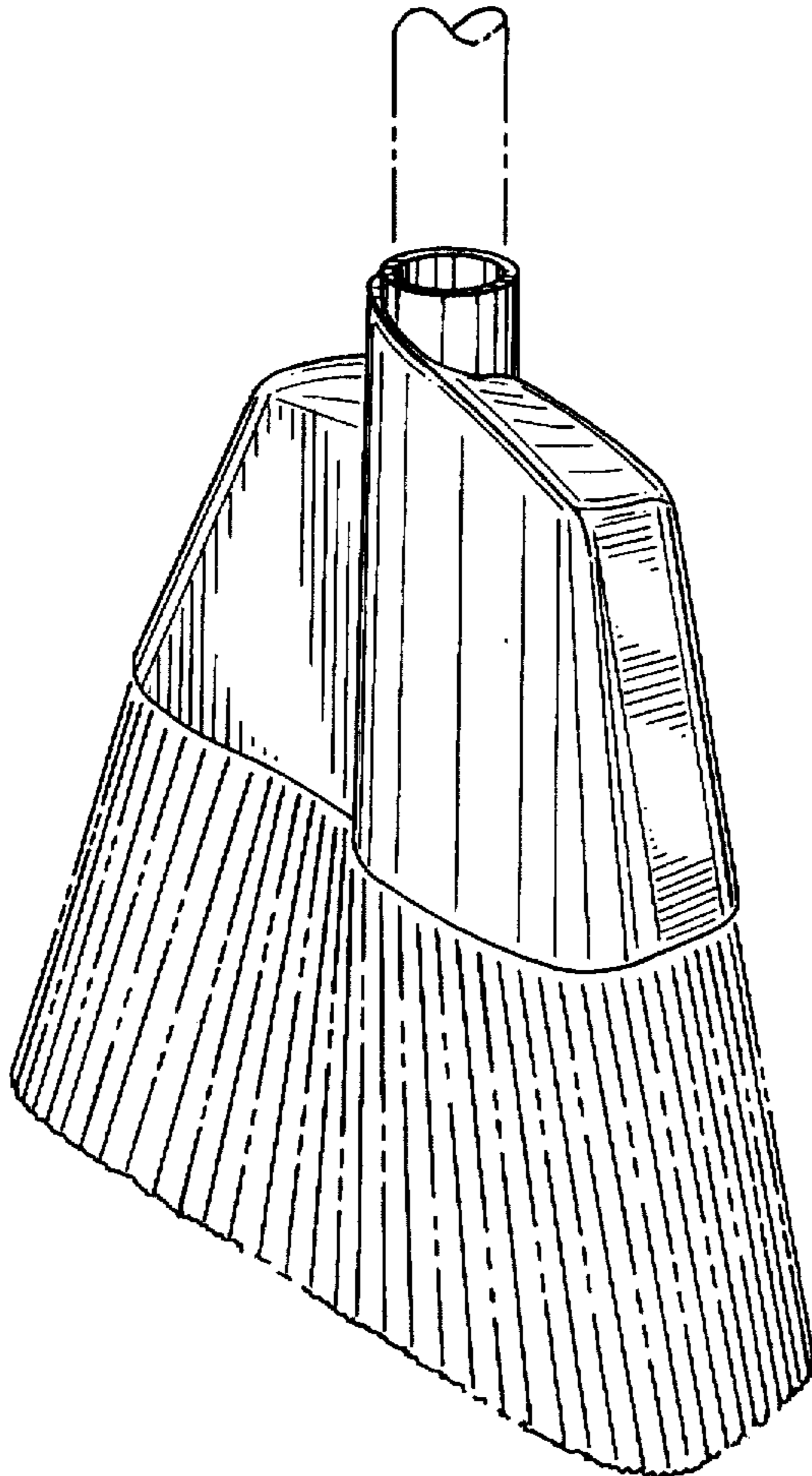


FIG. 1

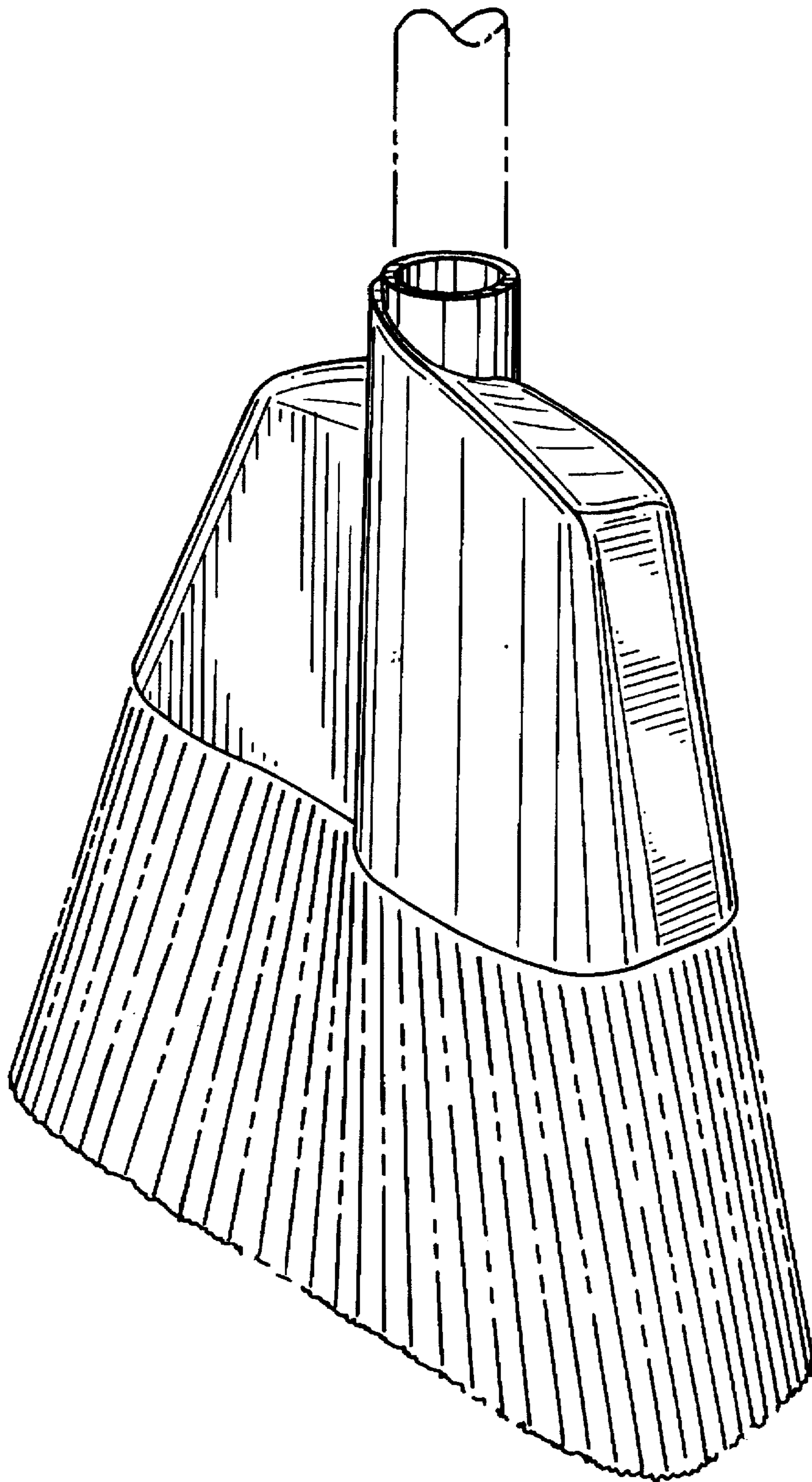


FIG. 2

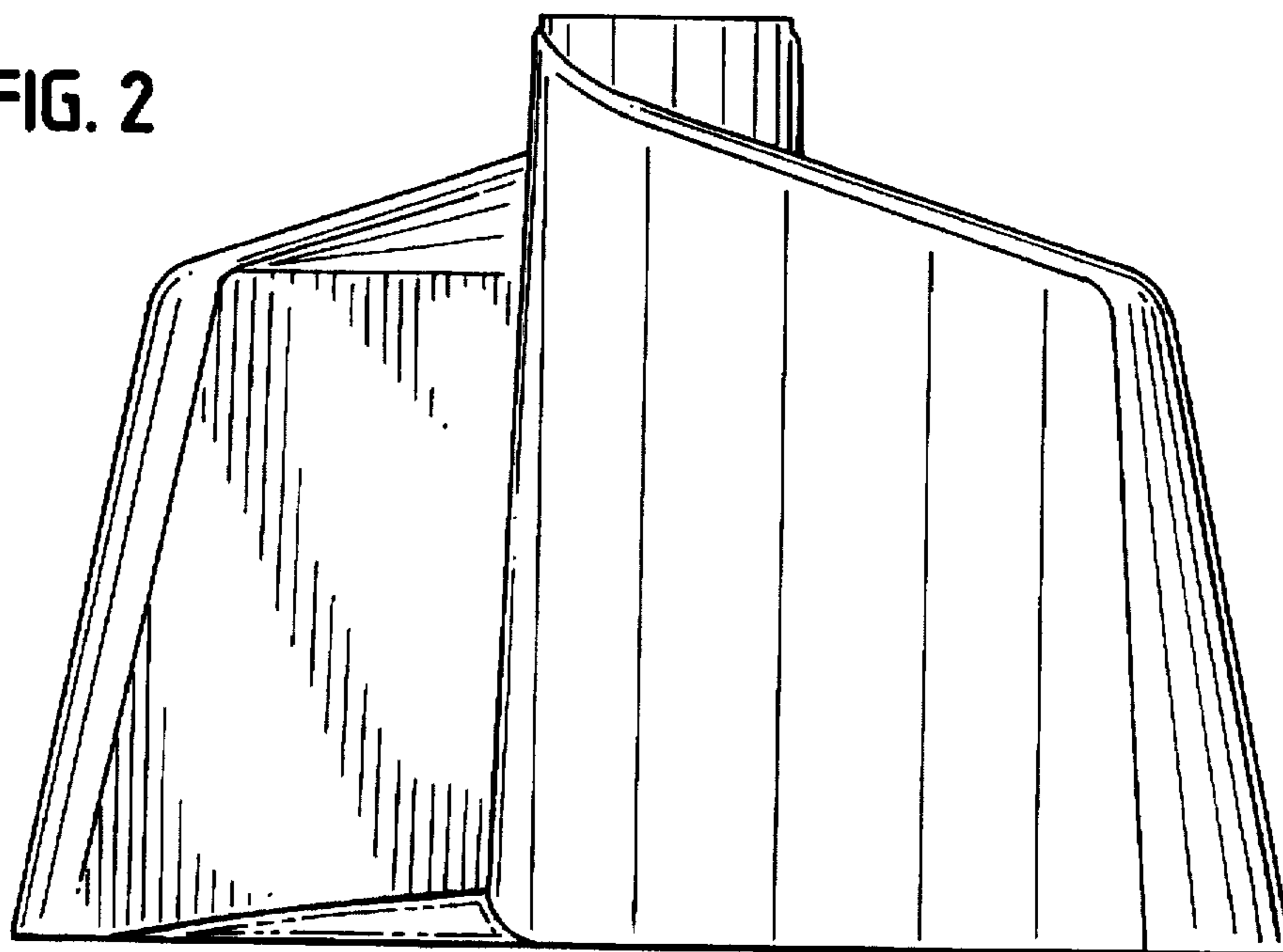


FIG. 3

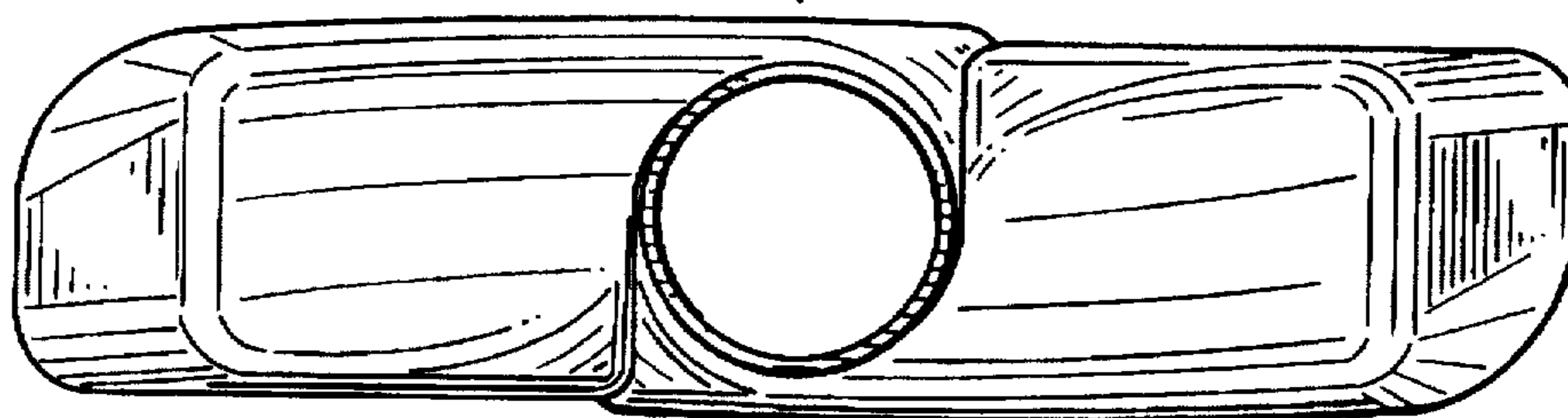


FIG. 4

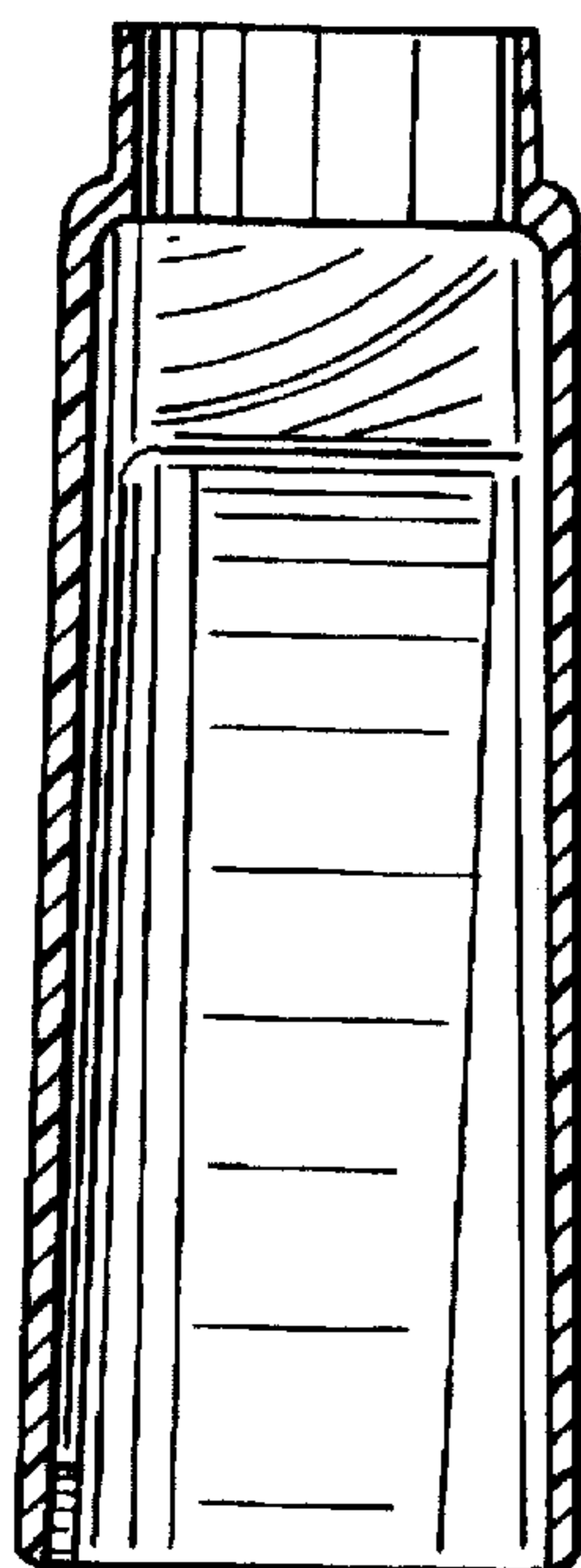


FIG. 5

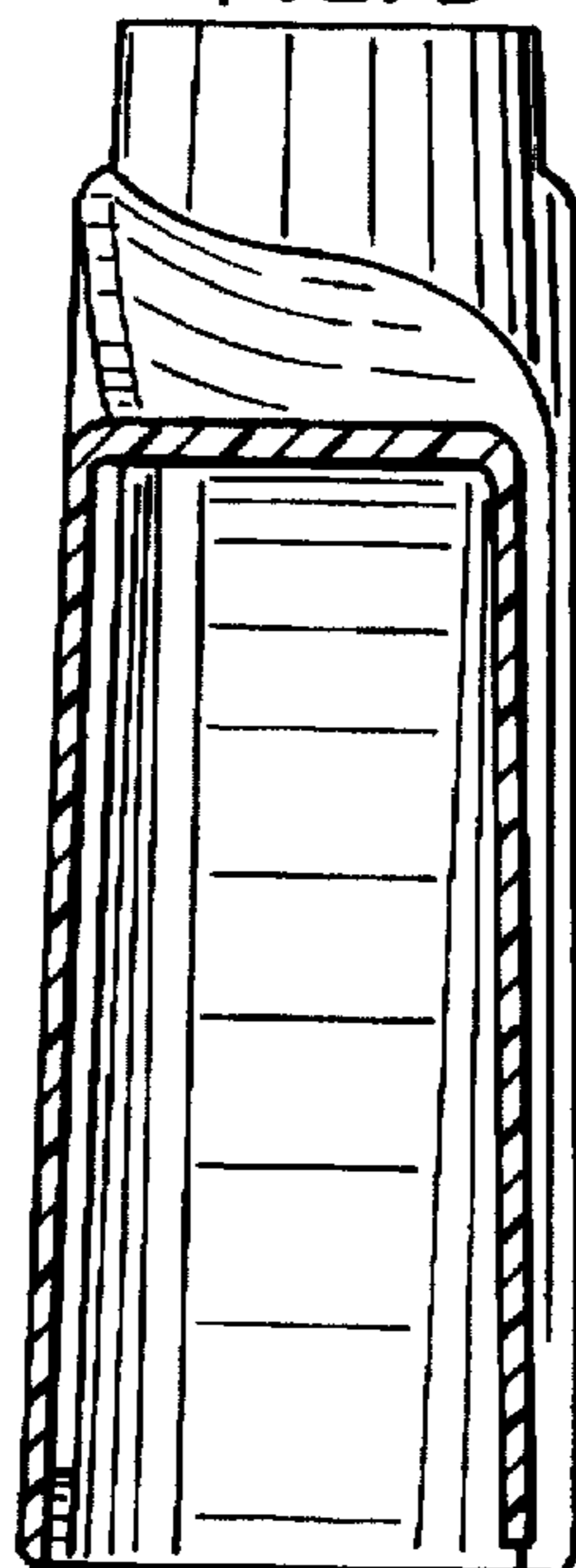


FIG. 6

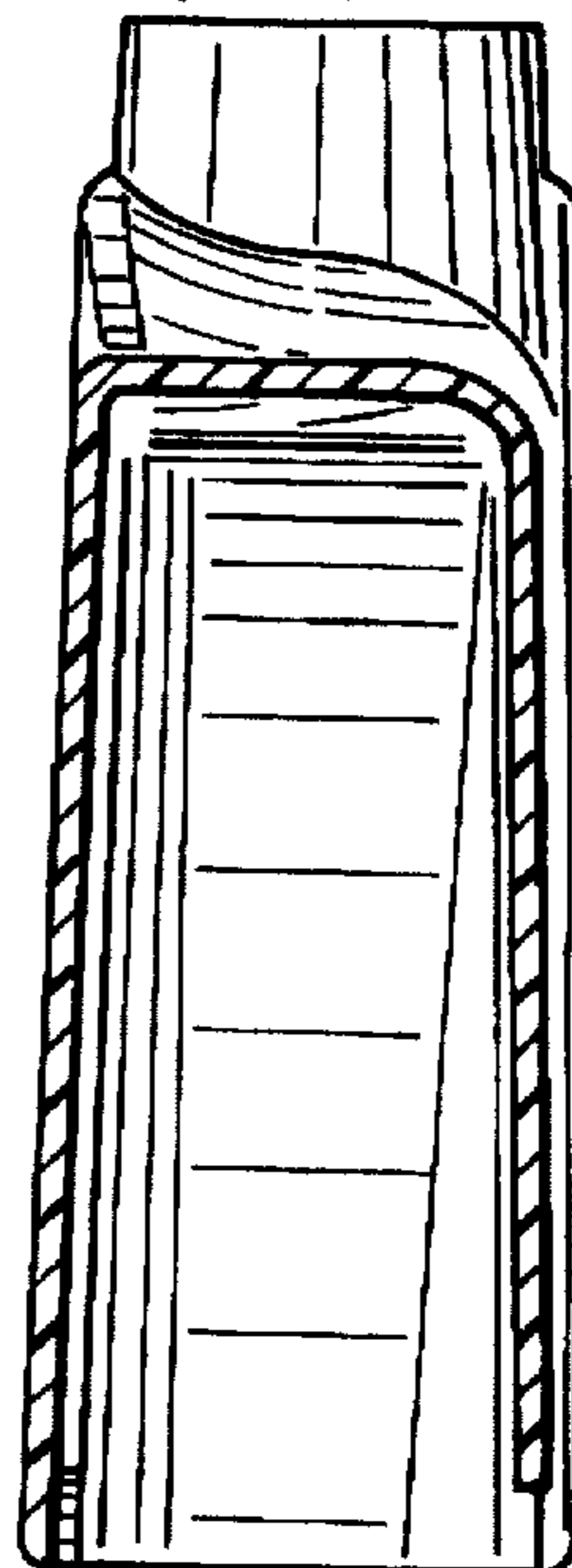


FIG. 7

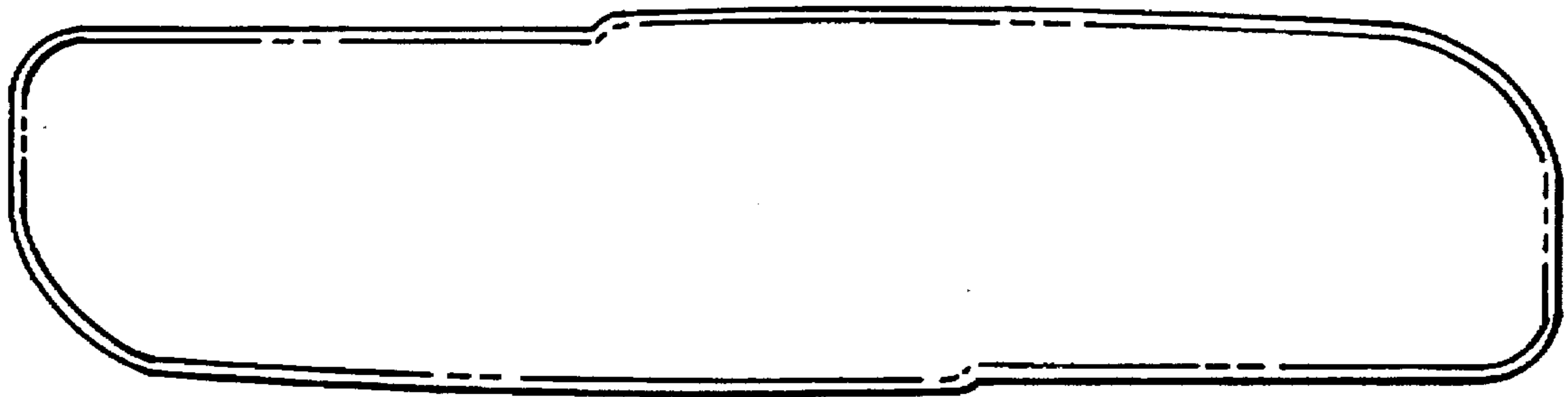


FIG. 8

