



US00D386904S

United States Patent [19]
Bradshaw, Jr.

[11] **Patent Number: Des. 386,904**
[45] **Date of Patent: **Dec. 2, 1997**

[54] **FERTILIZER TRANSPORT CONTAINER**

[75] Inventor: **Charles E. Bradshaw, Jr.**, Winter Park, Fla.

[73] Assignee: **CEW Products, Inc.**, Orlando, Fla.

[**] Term: **14 Years**

[21] Appl. No.: **61,026**

[22] Filed: **Oct. 15, 1996**

[51] LOC (6) Cl. **03-01**

[52] U.S. Cl. **D3/273; D3/294; D34/8**

[58] Field of Search **D3/294, 313, 273, D3/272; D34/7, 8; 220/908, 337, 343, 509; 435/312**

[56] **References Cited**

U.S. PATENT DOCUMENTS

- D. 241,112 8/1976 Raftery D34/8
- D. 271,343 11/1983 Miller D3/294
- D. 311,799 10/1990 Embree et al. D3/294
- D. 321,090 10/1991 Dickinson D3/294

- D. 324,749 3/1992 Bray D34/8
- D. 326,945 6/1992 Howitt D3/294
- D. 330,328 10/1992 DiSesa, Jr. D3/294
- D. 336,243 6/1993 Evans D3/313
- 3,937,355 2/1976 Engebretsen 220/908
- 4,749,101 6/1988 Durkan, Jr. 220/908
- 5,413,934 5/1995 Fischer 220/908

Primary Examiner—Philip S. Hyder
Attorney, Agent, or Firm—William M. Hobby, III

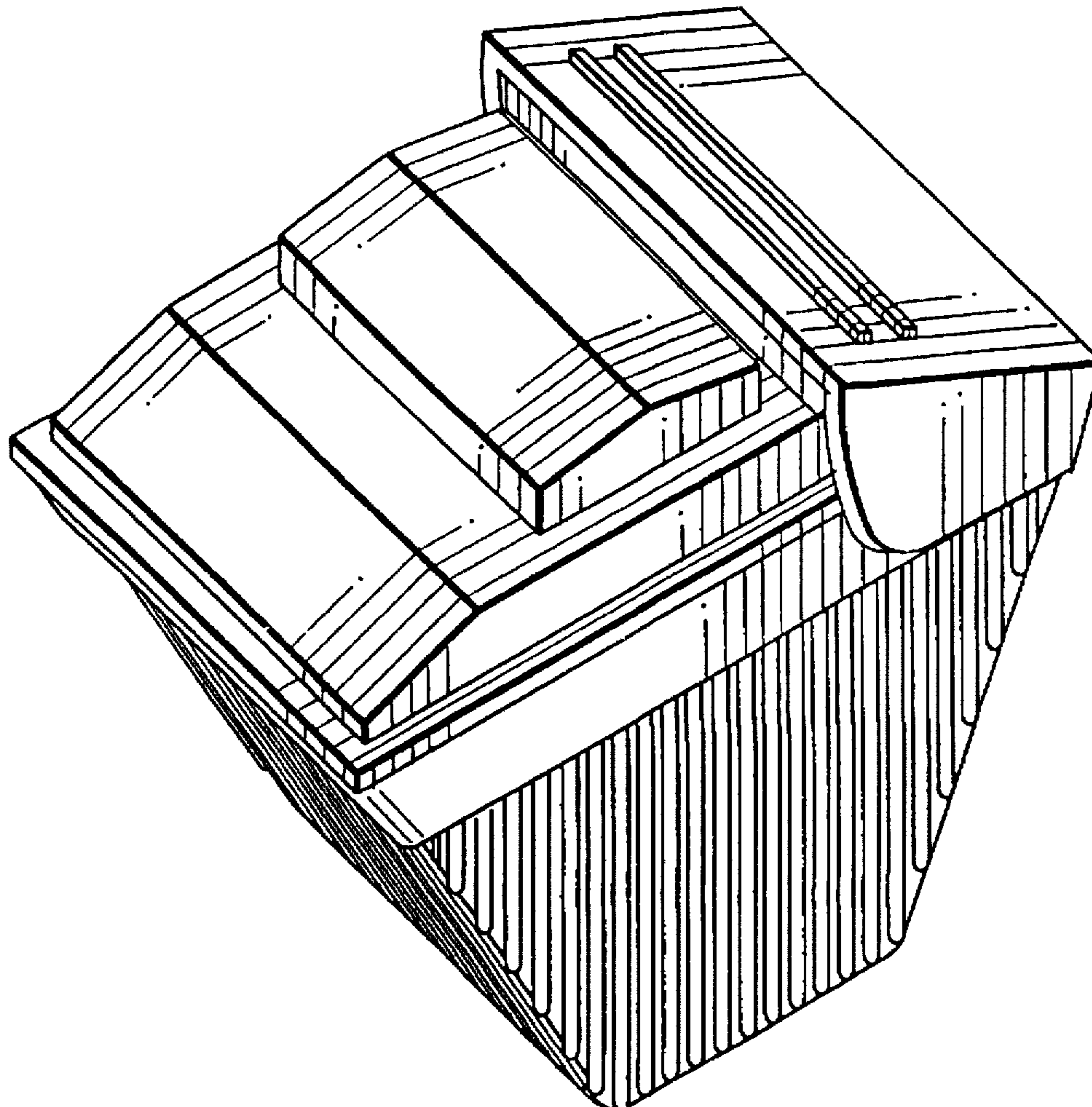
[57] **CLAIM**

The ornamental design for a fertilizer transport container, as shown and described.

DESCRIPTION

FIG. 1 is a top left side perspective view of my new fertilizer transport container;
FIG. 2 is a left side elevation view;
FIG. 3 is a right side elevation view;
FIG. 4 is a rear elevation view;
FIG. 5 is a bottom plan view;
FIG. 6 is a top plan view; and,
FIG. 7 is a front elevation view.

1 Claim, 2 Drawing Sheets



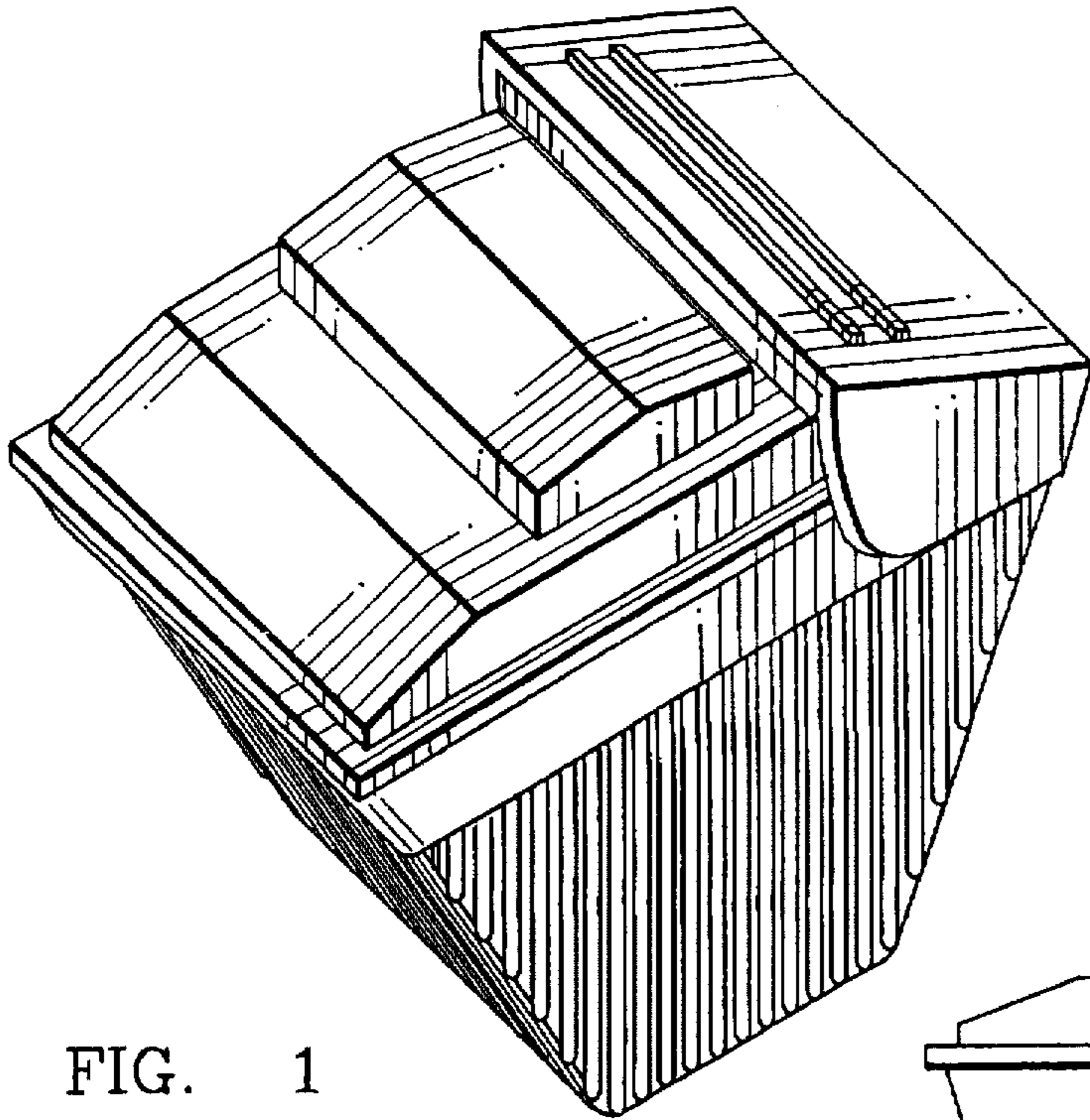


FIG. 1

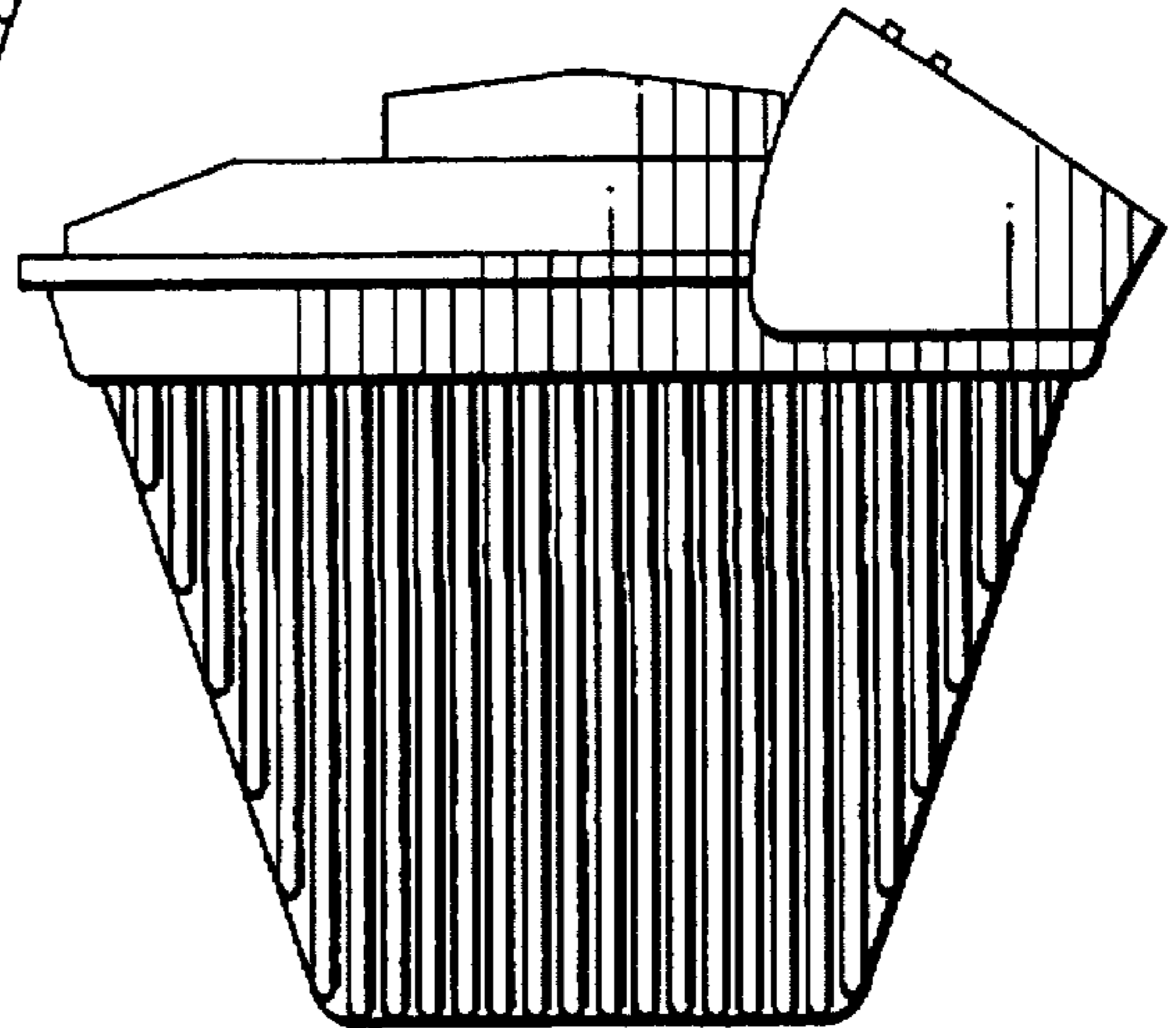


FIG. 2

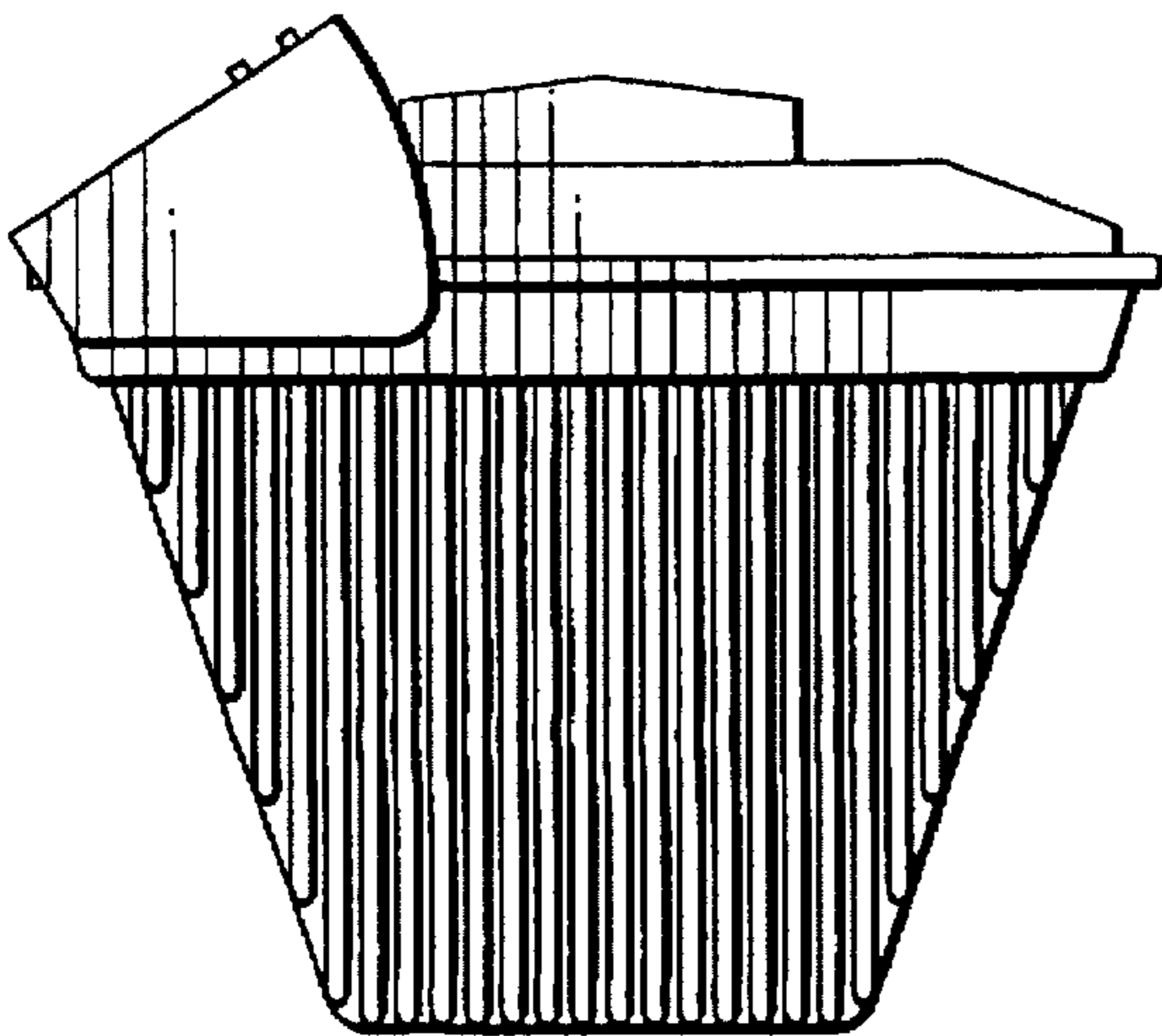


FIG. 3

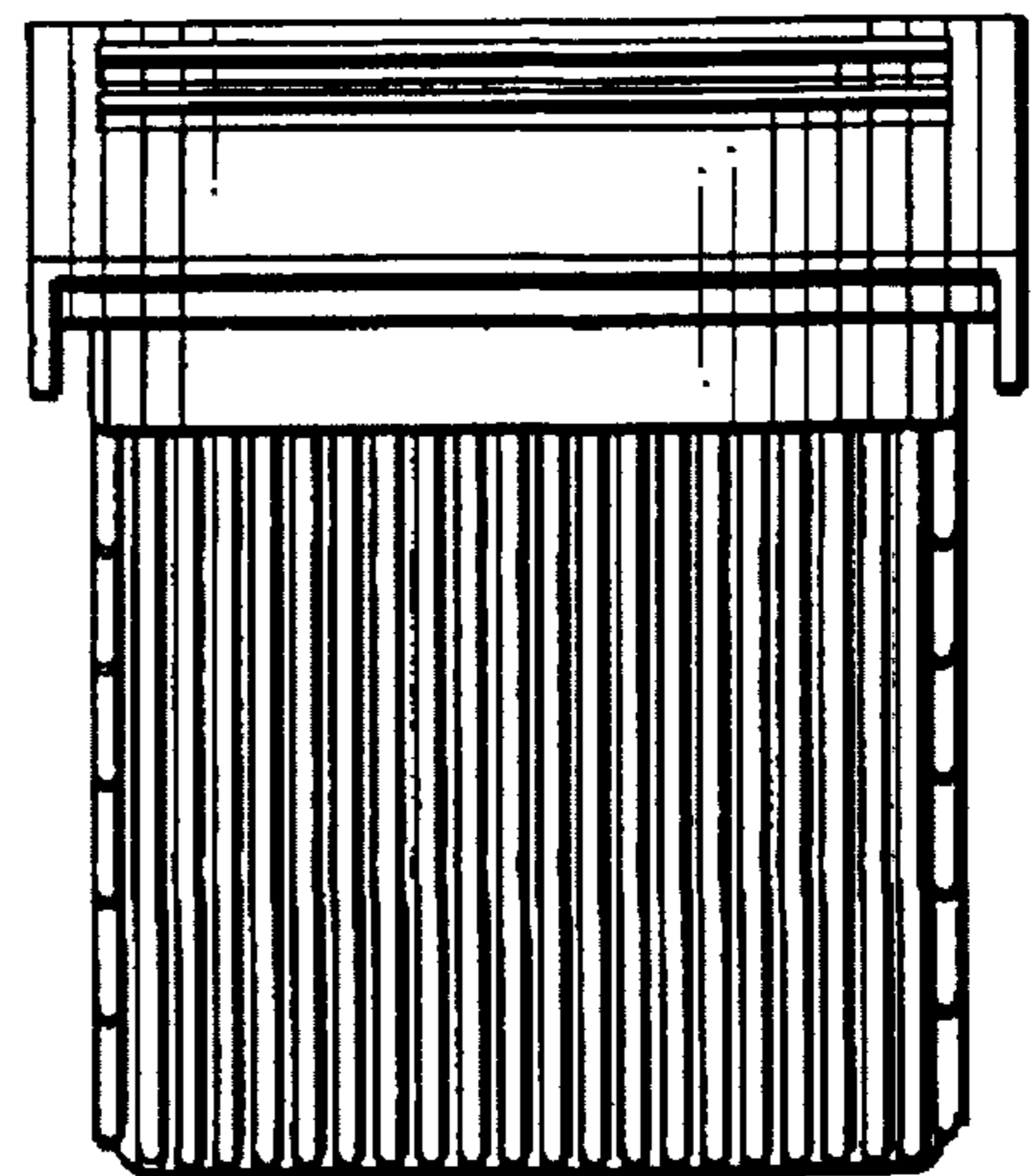


FIG. 4

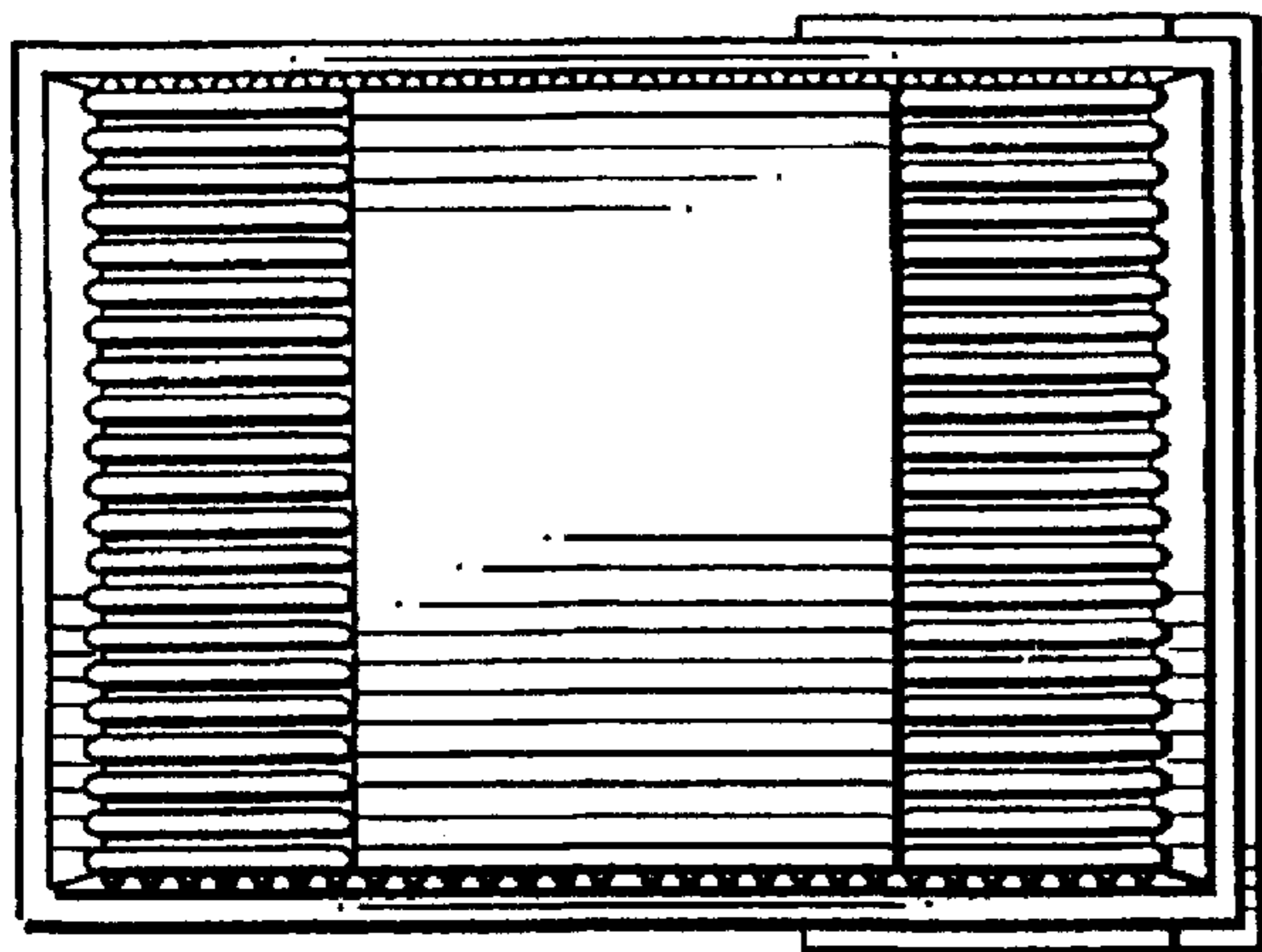


FIG. 5

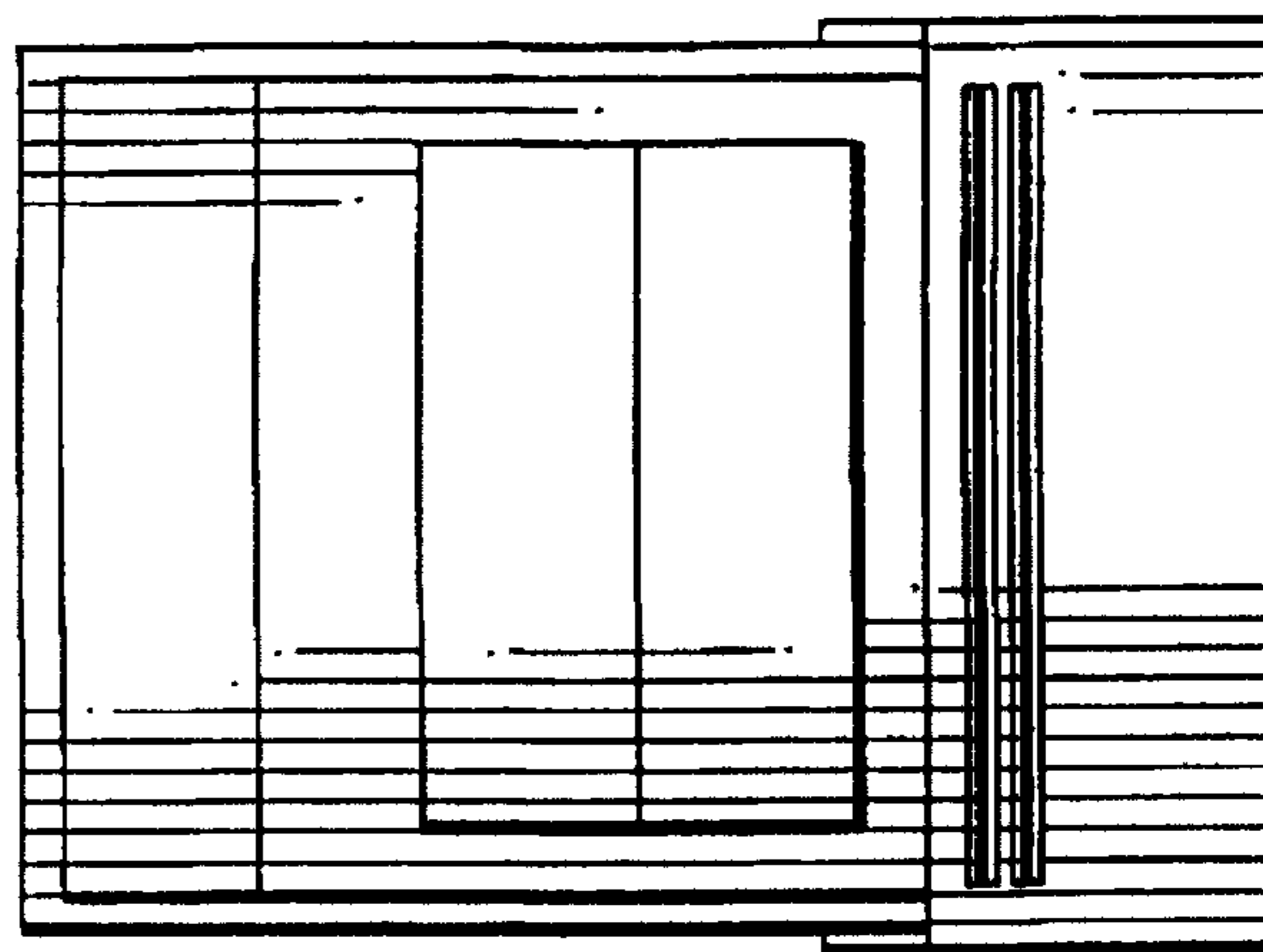


FIG. 6

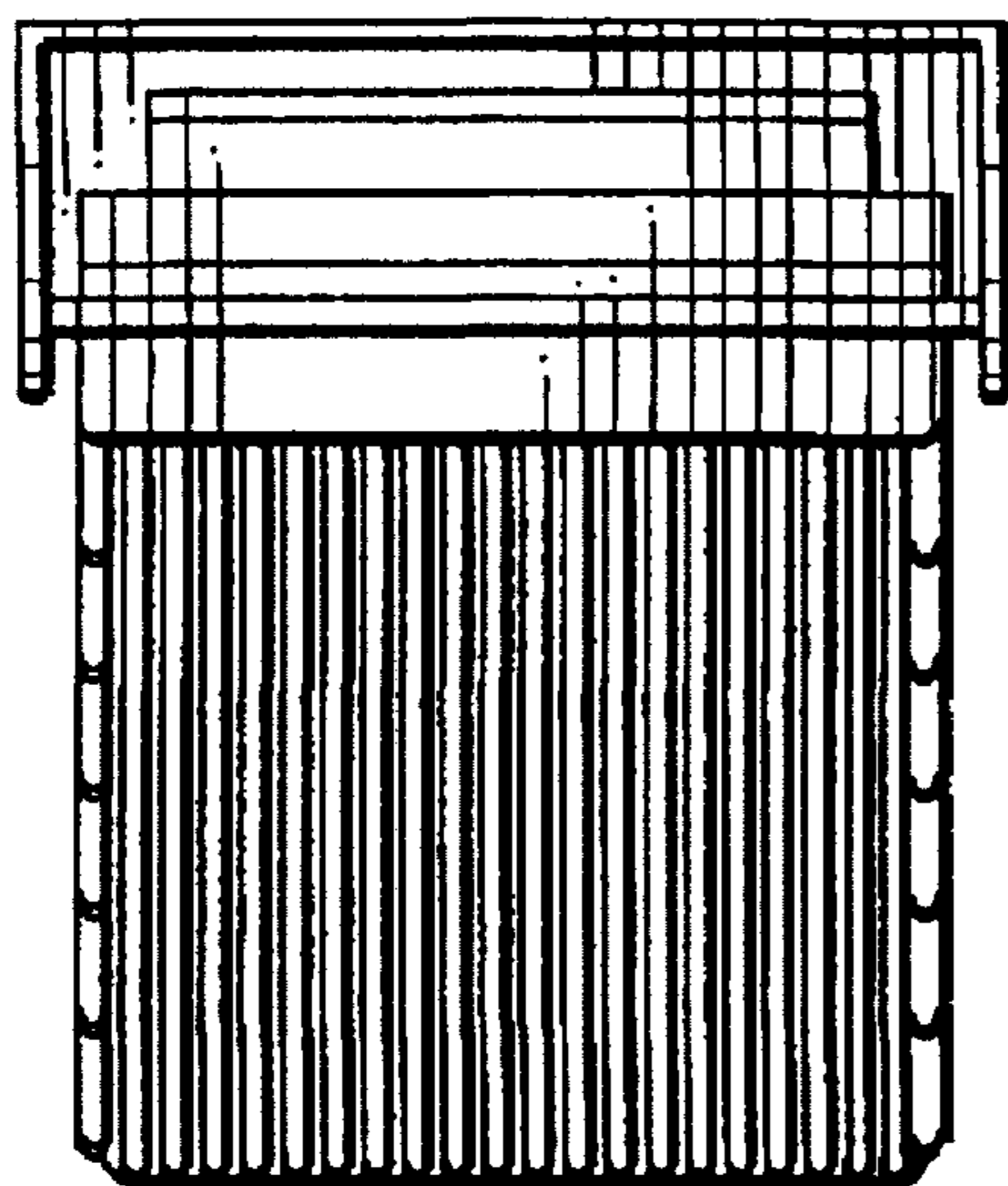


FIG. 7