



US00D386894S

United States Patent [19]

[11] Patent Number: **Des. 386,894**

Passke et al.

[45] Date of Patent: ****Dec. 2, 1997**

[54] **BLADDER FOR A SHOE SOLE**

D. 364,036 11/1995 Passke et al. D2/961
5,353,459 10/1994 Potter et al. 36/29 X

[75] Inventors: **Joel L. Passke**, Portland; **James C. Sell, Jr.**, Beaverton, both of Oreg.

OTHER PUBLICATIONS

Exhibits A-H, Photographs of Bladders.

[73] Assignee: **Nike, Inc.**, Beaverton, Oreg.

Primary Examiner—Doris V. Coles

[**] Term: **14 Years**

Attorney, Agent, or Firm—Banner & Witcoff, Ltd.

[21] Appl. No.: **55,230**

[57] CLAIM

[22] Filed: **Jun. 3, 1996**

The ornamental design for a bladder for a shoe sole, as shown and described.

[51] **LOC (6) Cl.** **02-04**

DESCRIPTION

[52] **U.S. Cl.** **D2/961**

[58] **Field of Search** D2/961, 946; 36/28, 36/29, 34 R, 35 R, 89, 43, 114, 137

FIG. 1 is a perspective view of an inflatable bladder for a shoe sole showing our new design; FIG. 2 is a top plan view thereof; FIG. 3 is a left side elevational view thereof; FIG. 4 is a right side view thereof; FIG. 5 is a front view thereof; FIG. 6 is a rear elevational view thereof; and, FIG. 7 is a cross-sectional view taken along the line 7—7 of FIG. 2.

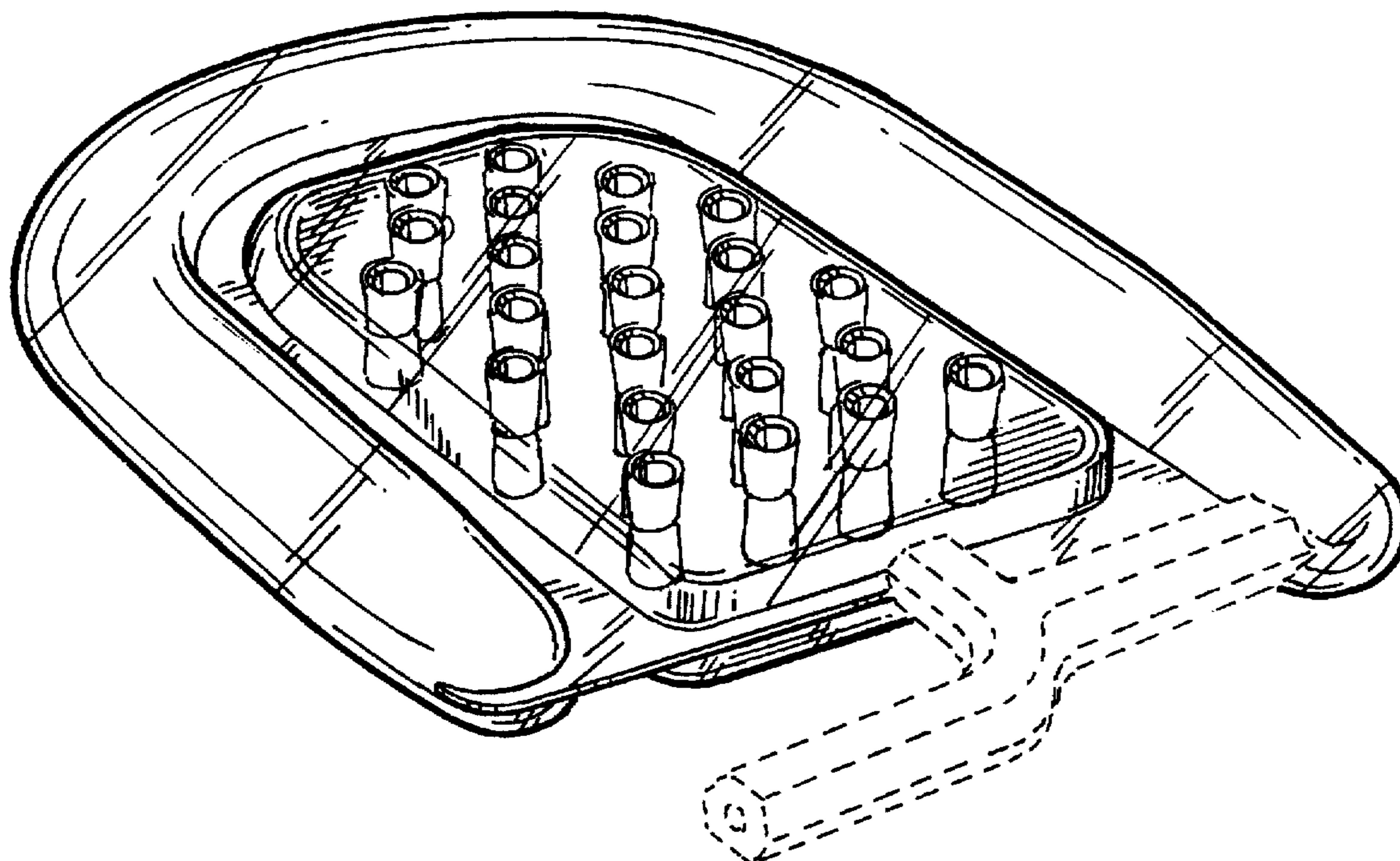
[56] References Cited

U.S. PATENT DOCUMENTS

D. 127,724	6/1941	Margolin	D2/961
D. 336,772	6/1993	Forland et al.	D2/961
D. 339,906	10/1993	Frachey et al.	D2/946
D. 349,186	8/1994	Passke et al.	D2/961
D. 349,804	8/1994	Passke et al.	D2/961
D. 351,056	10/1994	Auger et al.	D2/961
D. 363,816	11/1995	Sarkinen et al.	D2/961
D. 364,034	11/1995	Lee et al.	D2/961
D. 364,035	11/1995	Lee	D2/961

The broken line showing of the inlet tube in FIGS. 1-7 is for illustrative purposes only and forms no part of the claimed design.

1 Claim, 2 Drawing Sheets



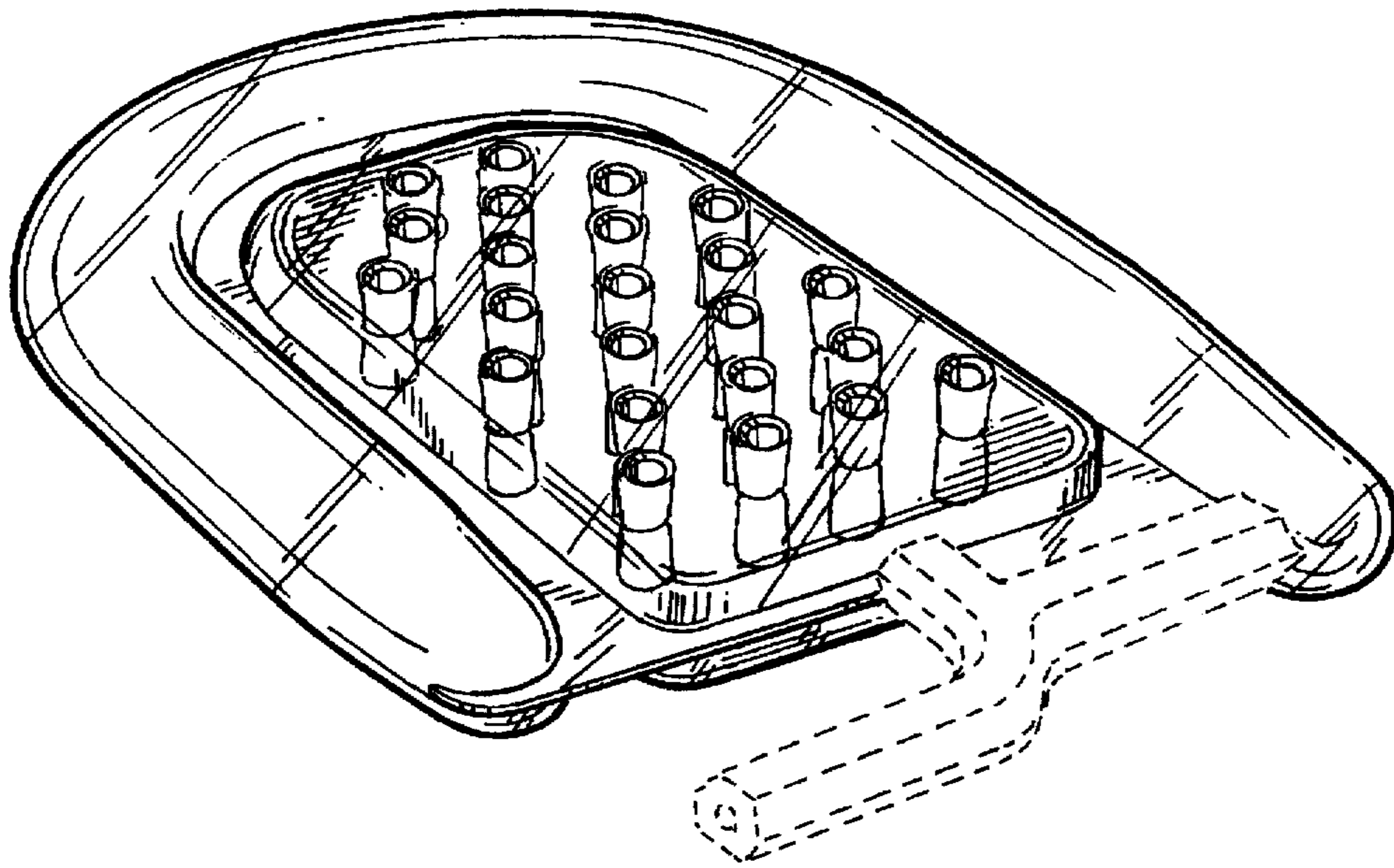


FIG. 1

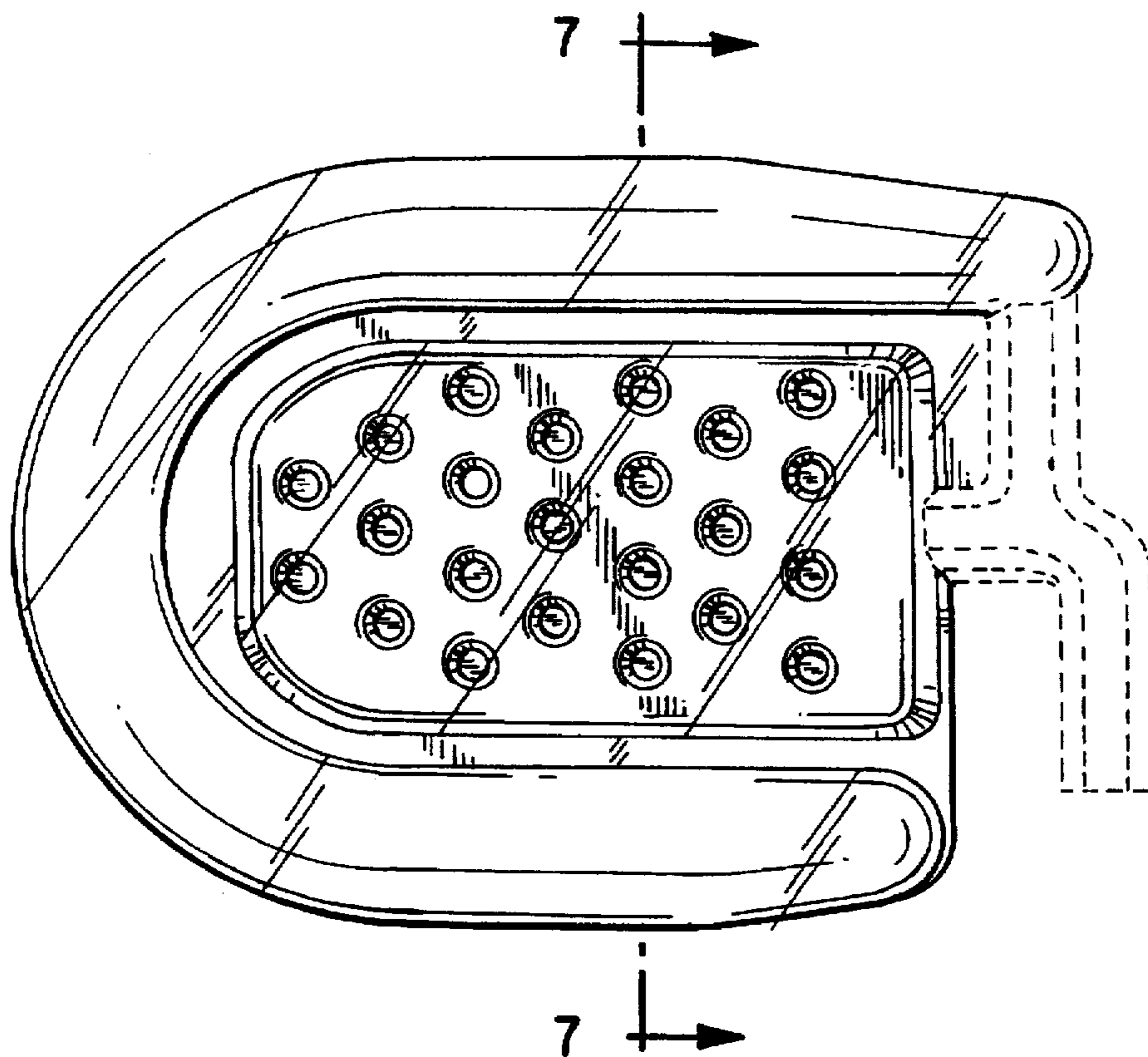


FIG. 2

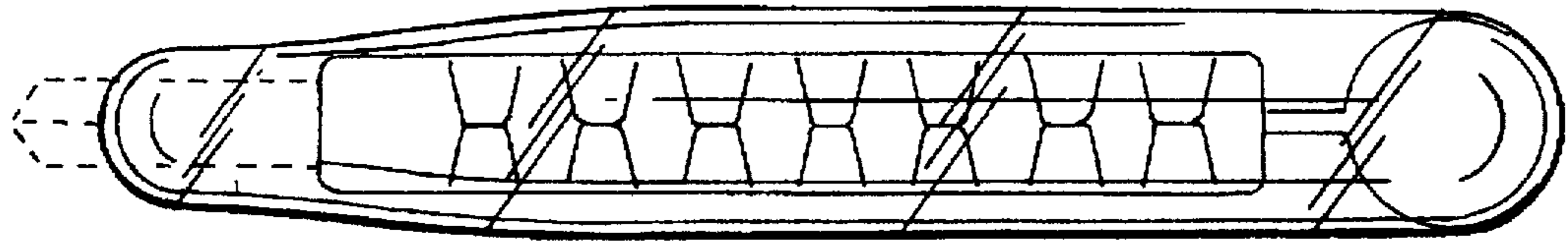


FIG. 3

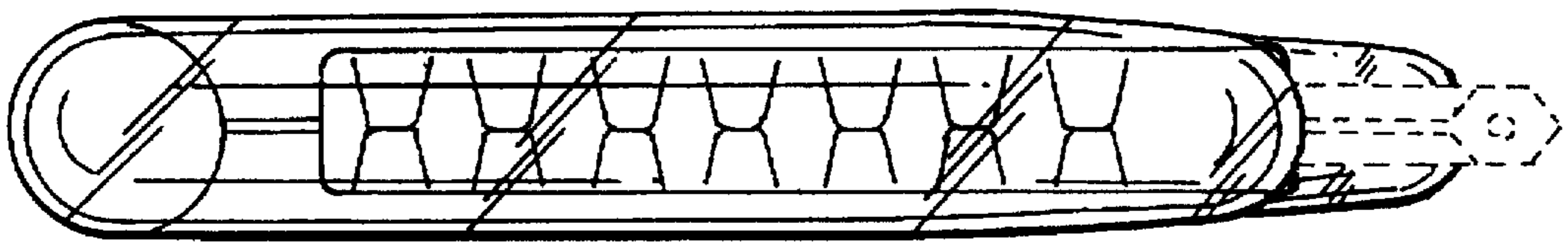


FIG. 4

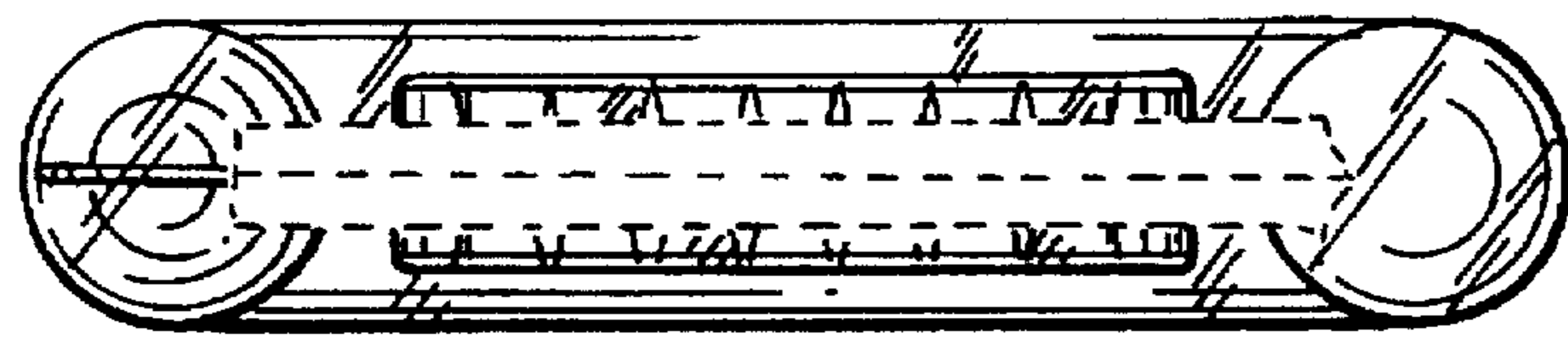


FIG. 5

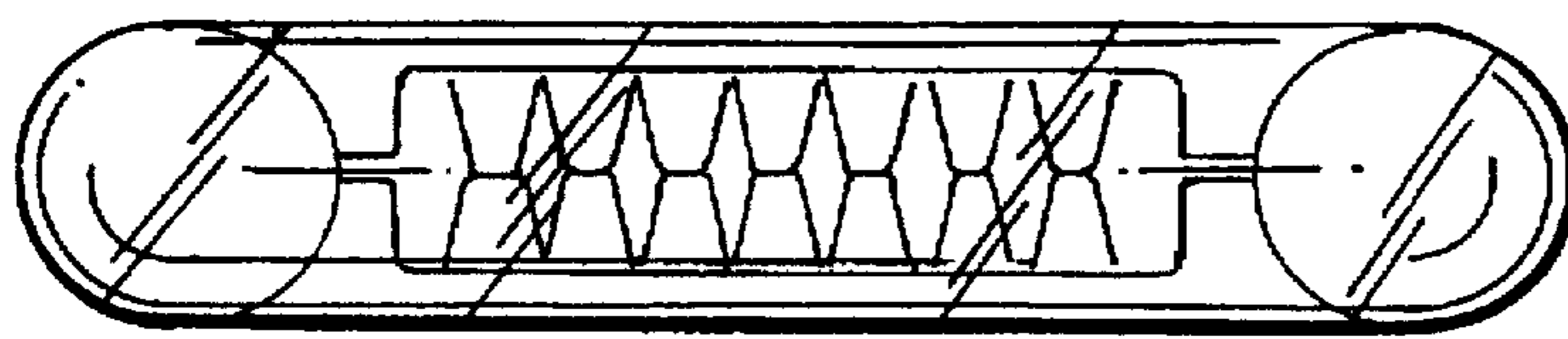


FIG. 6



FIG. 7