



US00D386885S

**United States Patent** [19]  
**Bell**

[11] **Patent Number: Des. 386,885**

[45] **Date of Patent: \*\*Dec. 2, 1997**

[54] **EDIBLE CUP**  
[76] **Inventor: Burt J. Bell, P.O. Box 536, Winter Park, Fla. 32790**  
[\*\*] **Term: 14 Years**  
[21] **Appl. No.: 61,955**  
[22] **Filed: Nov. 4, 1996**  
[51] **LOC (6) Cl. .... 01-01**  
[52] **U.S. Cl. .... D1/116**  
[58] **Field of Search .... D1/116, 117, 118, D1/119, 122, 123, 124, 101; 426/104, 138, 139, 143, 132, 101, 95, 514; D7/504, 509; D12/407**

D. 358,018 5/1995 Lindemann ..... D1/101  
2,889,096 6/1959 Glenny ..... D12/407 X  
4,929,457 5/1990 Sato ..... 436/139

*Primary Examiner*—Susan J. Lucas  
*Assistant Examiner*—Pamela Burgess  
*Attorney, Agent, or Firm*—William M. Hobby, III

[57] **CLAIM**

The ornamental design for an edible cup, as shown and described.

**DESCRIPTION**

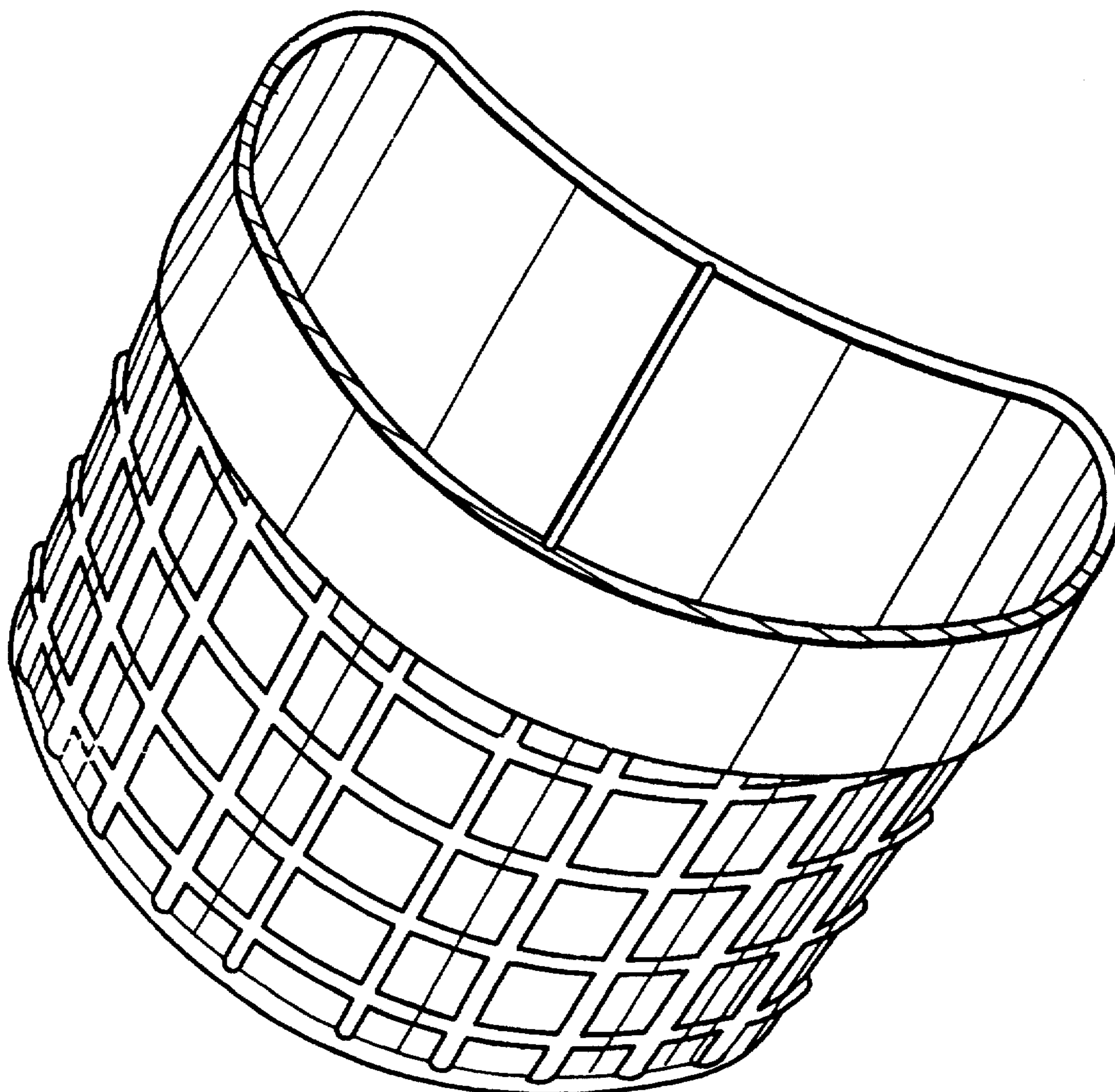
FIG. 1 is a top front perspective view of my new edible cup;  
FIG. 2 is a front elevation;  
FIG. 3 is a rear elevation;  
FIG. 4 is a right side elevation;  
FIG. 5 is a left side elevation;  
FIG. 6 is a top plan view; and,  
FIG. 7 is a bottom plan view.

[56] **References Cited**

**U.S. PATENT DOCUMENTS**

D. 57,177 2/1921 Winder ..... D1/117  
D. 319,913 9/1991 George ..... D1/116

**1 Claim, 2 Drawing Sheets**



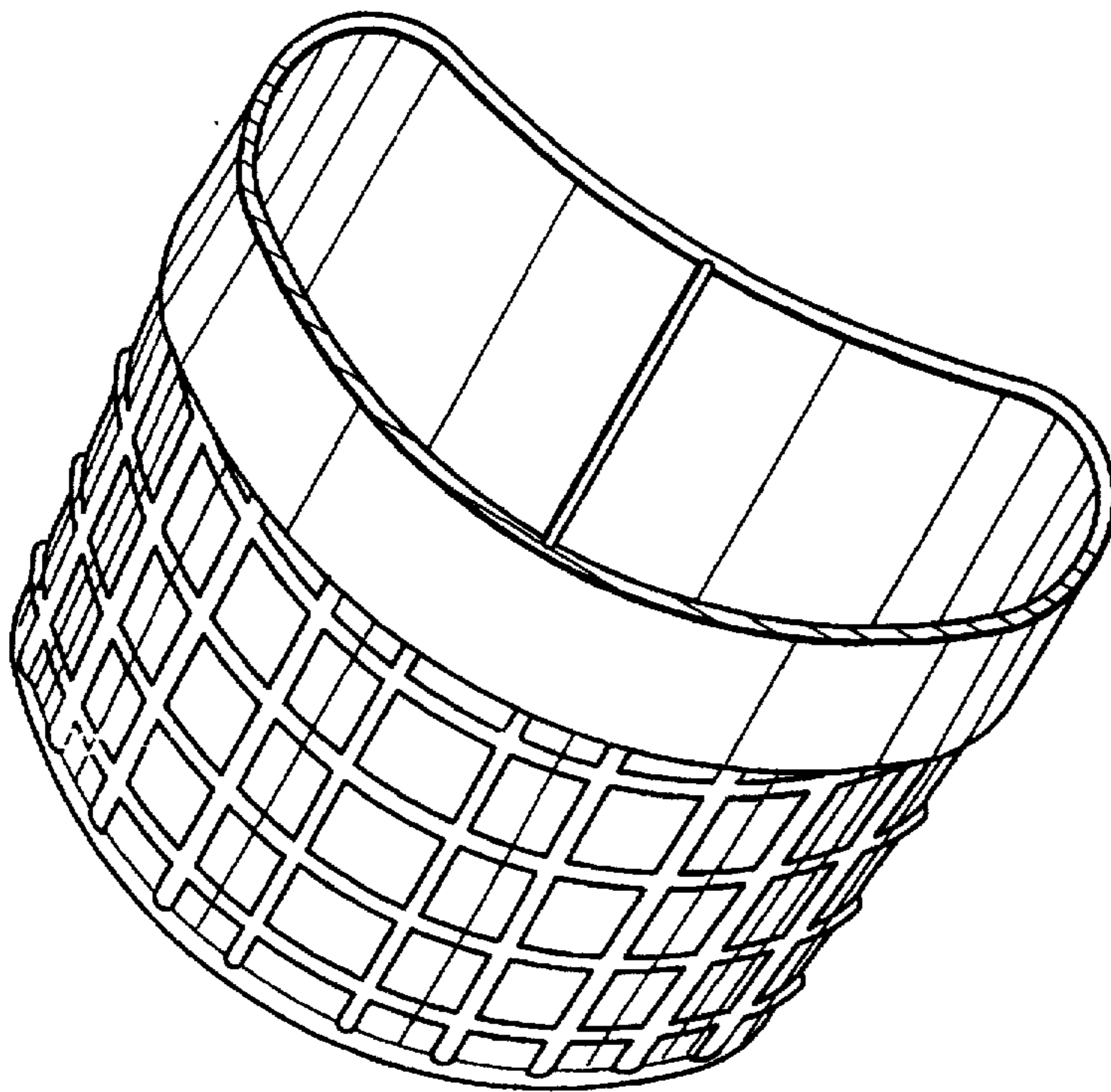


FIG. 1

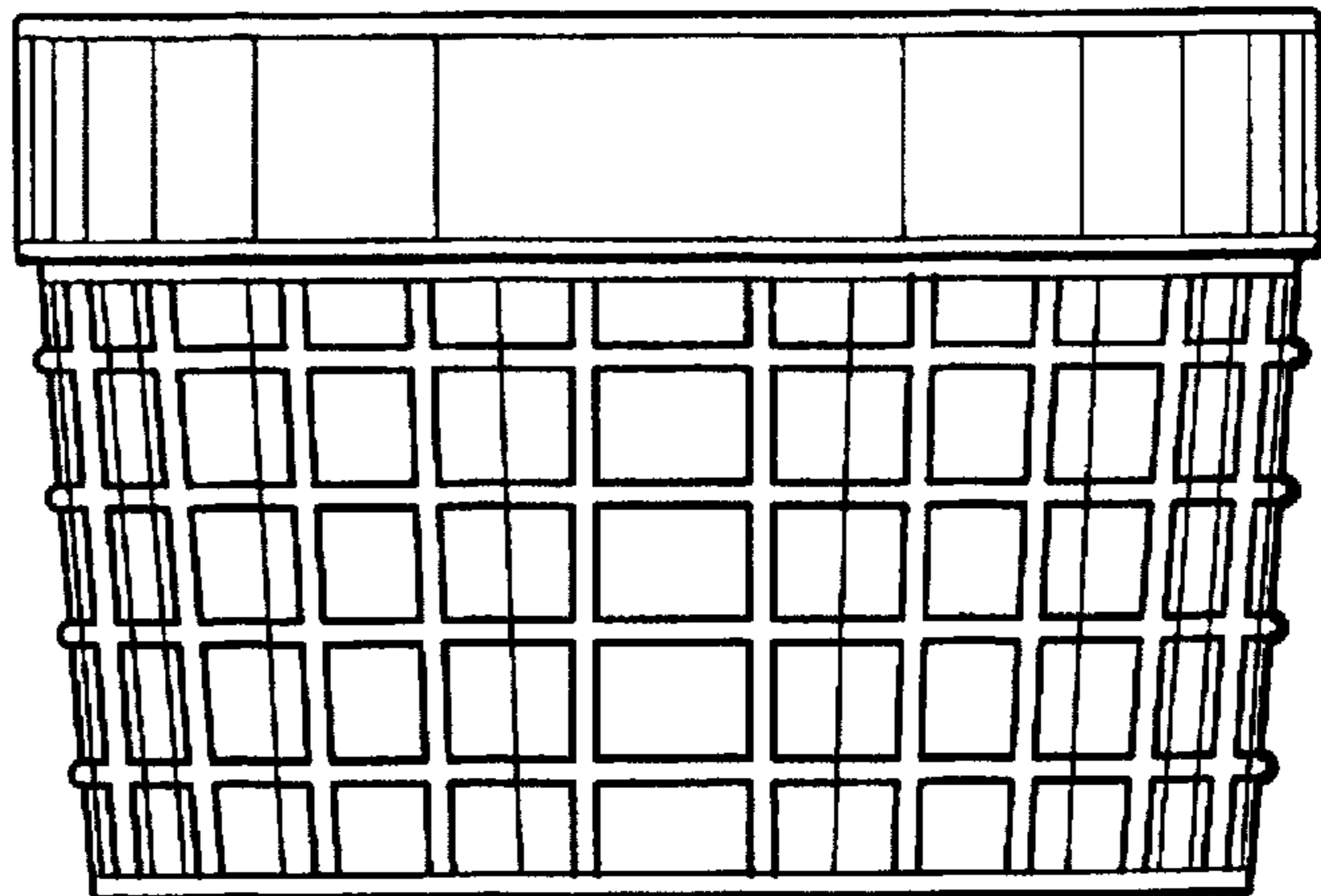


FIG. 2

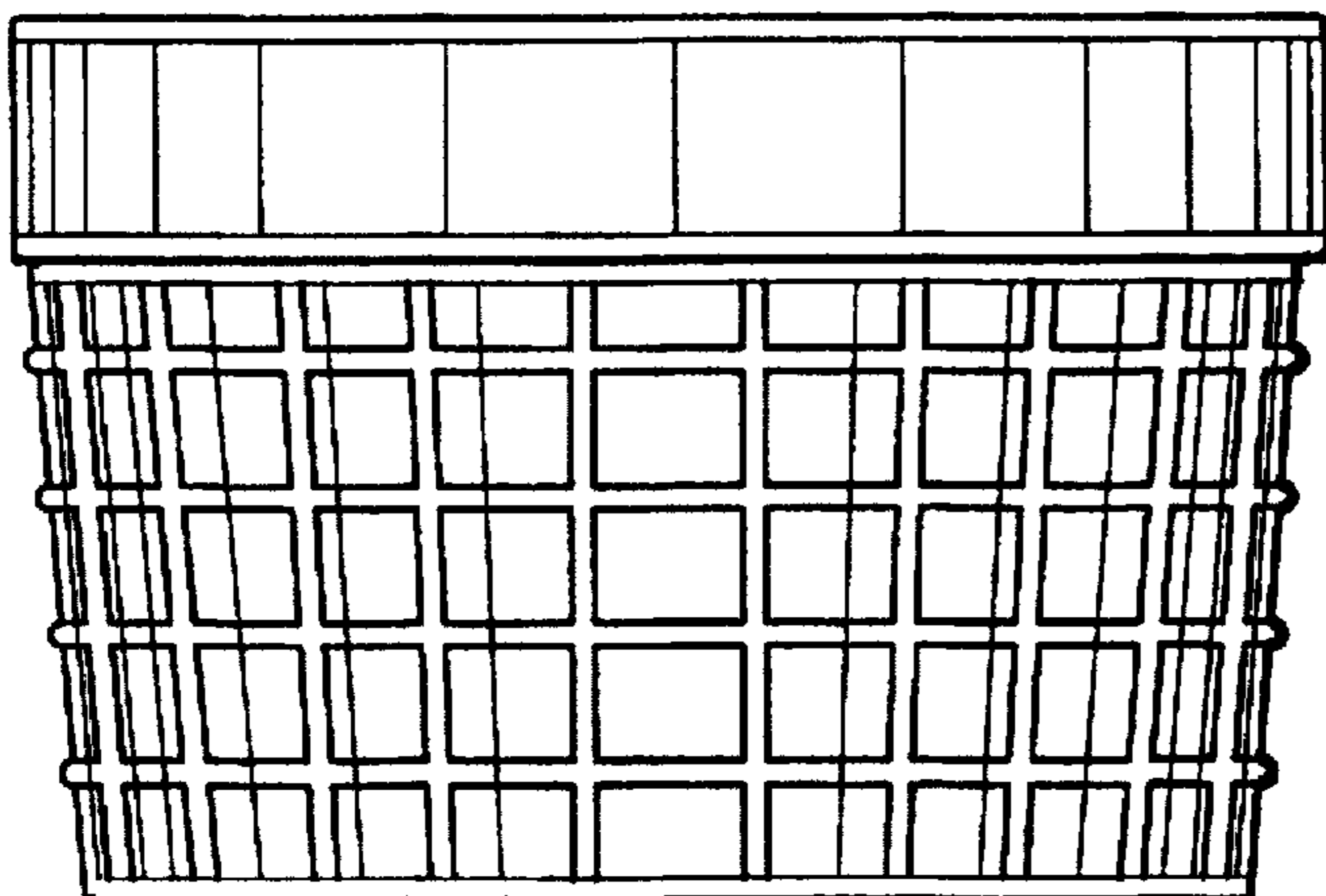


FIG. 3

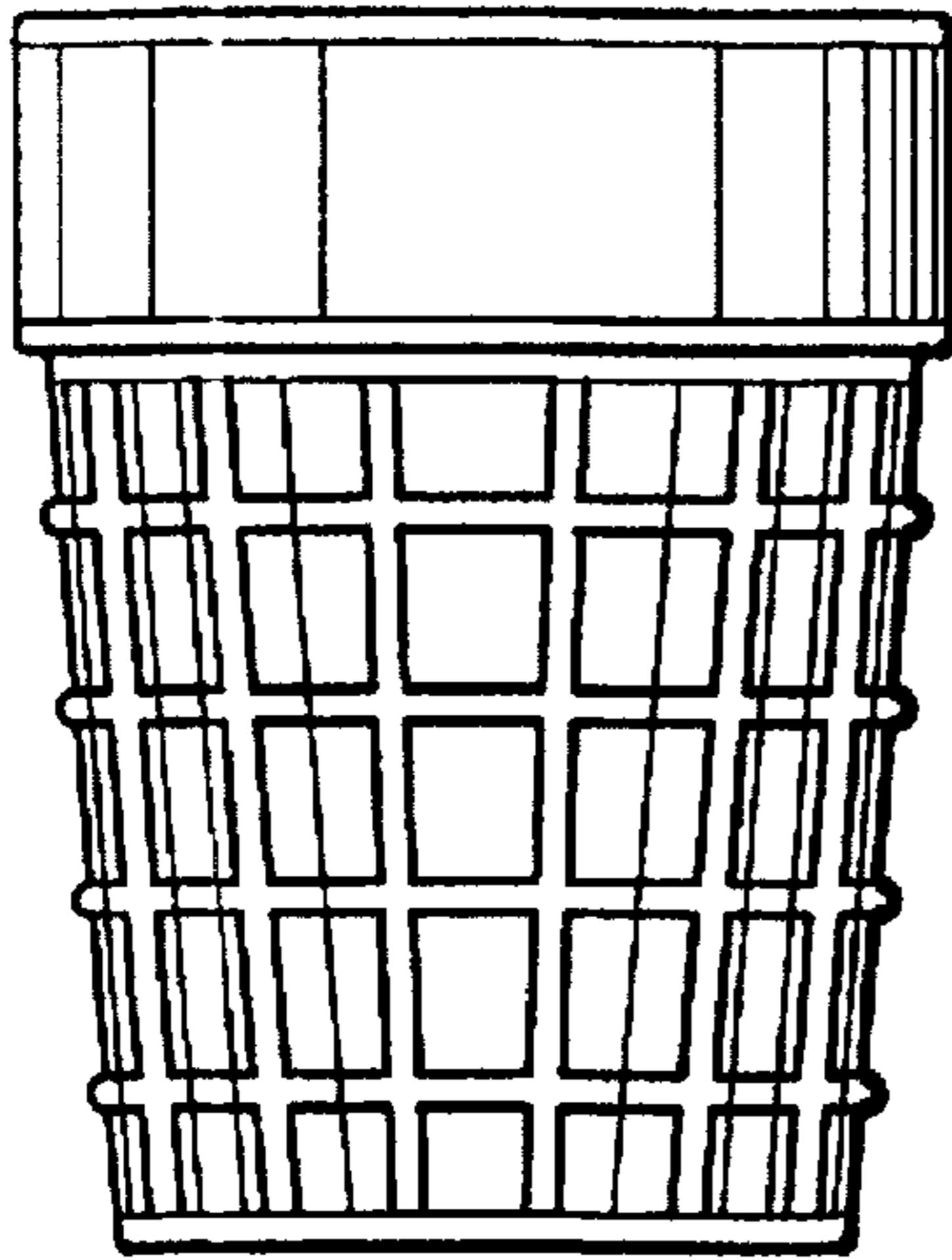


FIG. 4

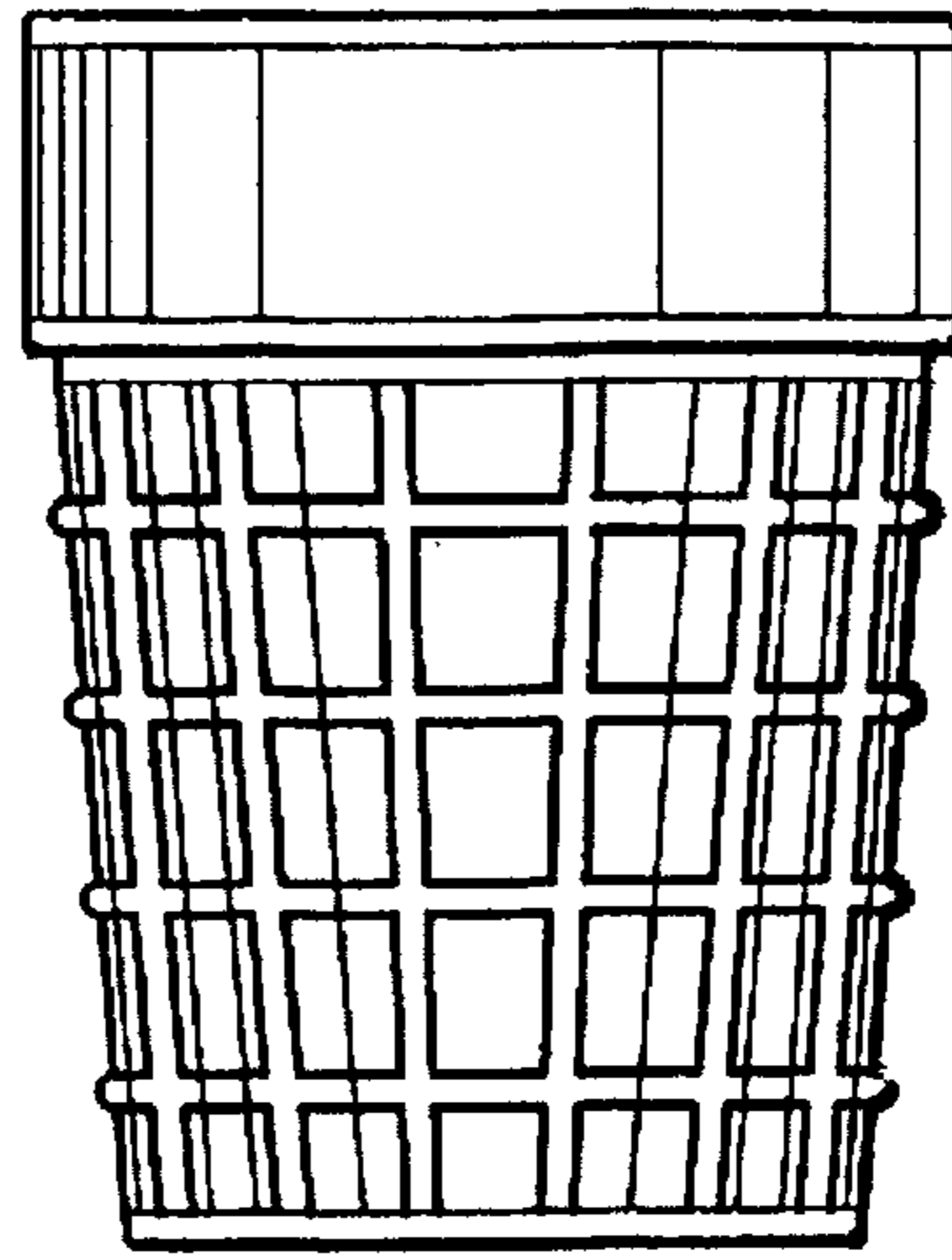


FIG. 5

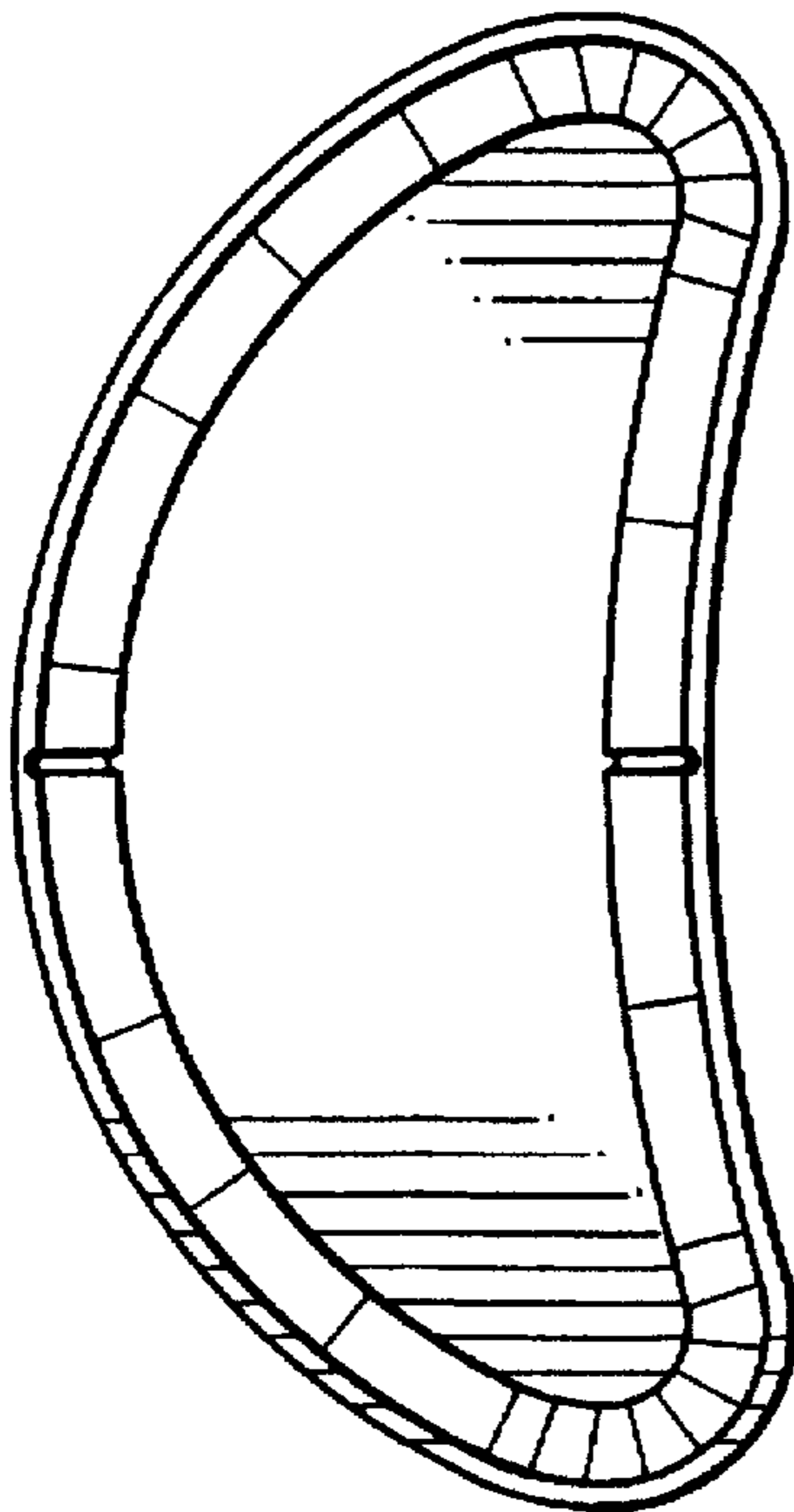


FIG. 6

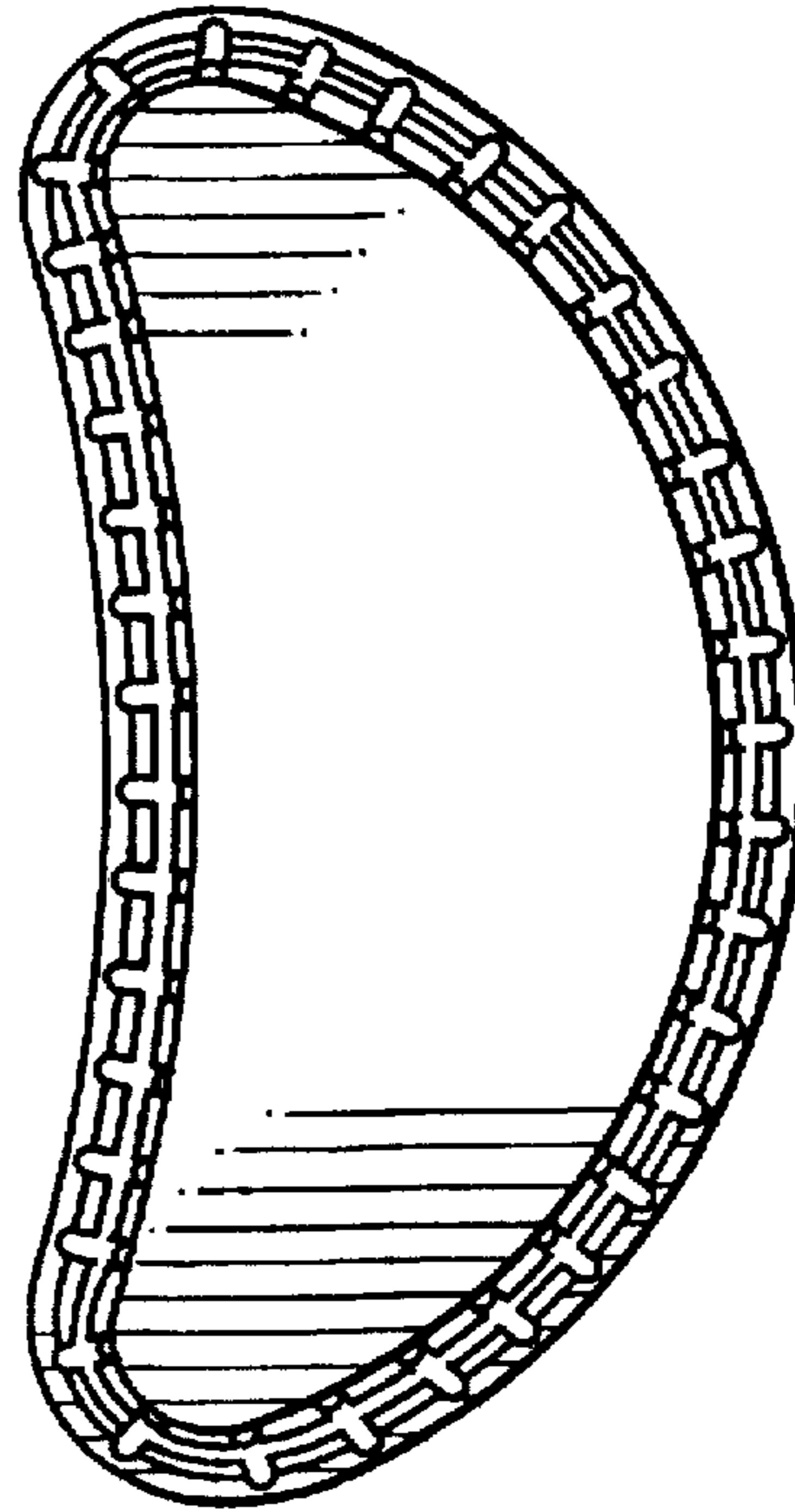


FIG. 7