



US00D386880S

# United States Patent [19]

[11] Patent Number: **Des. 386,880**

Vaske

[45] Date of Patent: **\*\*Nov. 25, 1997**

[54] **MEMORIAL PICTURE FRAME WITH BOUQUET HOLDER**

2,877,828 3/1959 Barnette, Jr. .... 248/156 X  
5,044,200 9/1991 Dailey et al. .... 40/607 X

[76] Inventor: **Brenda Vaske**, 306 S. Portland, Bancroft, Iowa 50517

*Primary Examiner*—Janice E. Seeger

[\*\*] Term: **14 Years**

### [57] CLAIM

[21] Appl. No.: **61,195**

The ornamental design for a memorial picture frame with bouquet holder, as shown.

[22] Filed: **Oct. 17, 1996**

### DESCRIPTION

[51] LOC (6) Cl. .... **06-07**

FIG. 1 is a front plan view of the memorial picture frame with bouquet holder of the present invention;

[52] U.S. Cl. .... **D99/18; D6/300; D6/312**

FIG. 2 is a rear plan view of the memorial picture frame with bouquet holder of FIG. 1;

[58] Field of Search ..... D6/300-303, 309-314, D6/417; D99/18; D20/41; 40/607, 124.5, 700, 739, 745, 765, 798; 248/156

FIG. 3 is a left side plan view of the memorial picture frame with bouquet holder of FIG. 1;

FIG. 4 is a right side plan view of the memorial picture frame with bouquet holder of FIG. 1;

### [56] References Cited

#### U.S. PATENT DOCUMENTS

1,573,268 2/1926 Norman ..... 40/725 X  
1,902,189 3/1933 Schutt ..... 40/607  
1,926,468 9/1933 Vogelpohl ..... 40/124.5  
2,625,985 1/1953 Morgan et al. .... 248/156 X

FIG. 5 is a top plan view of the memorial picture frame with bouquet holder of FIG. 1; and,

FIG. 6 is a bottom plan view of the memorial picture frame with bouquet holder of FIG. 1.

**1 Claim, 3 Drawing Sheets**

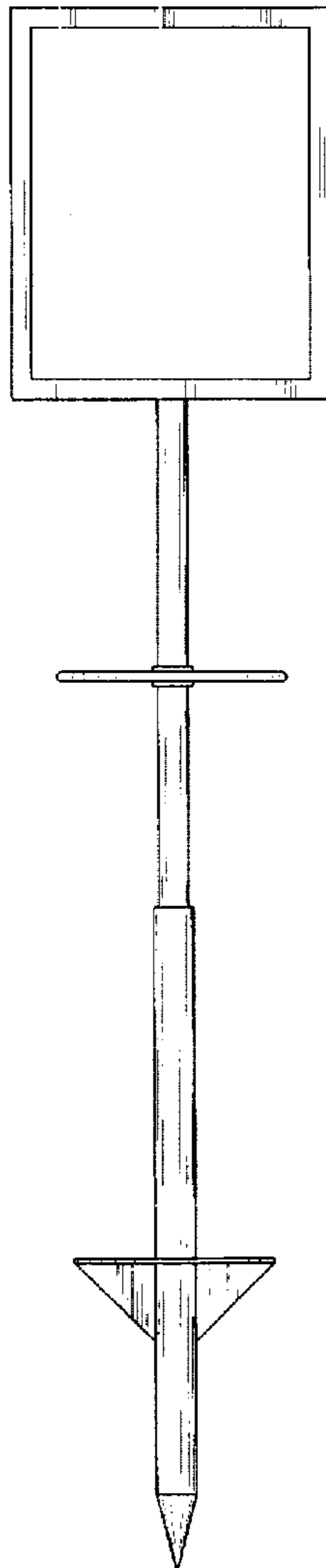


FIG. 1

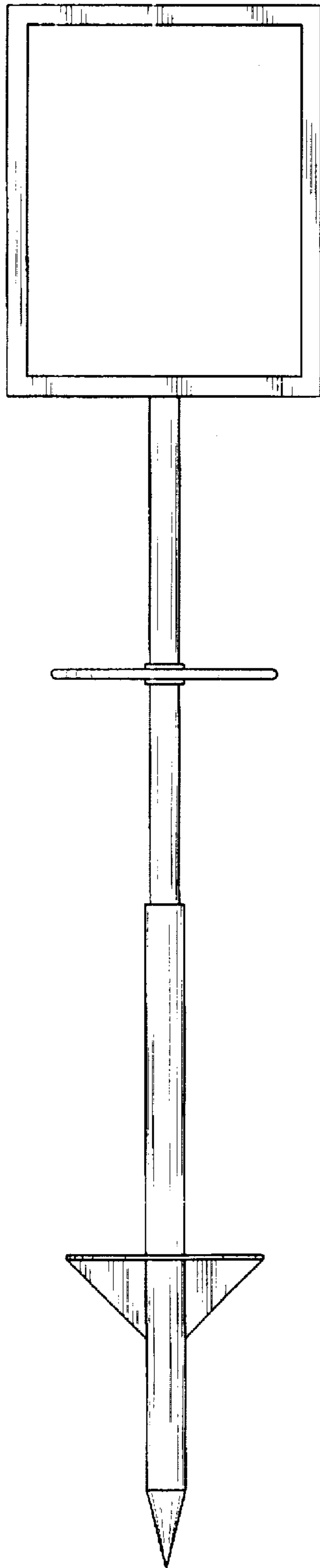


FIG. 2

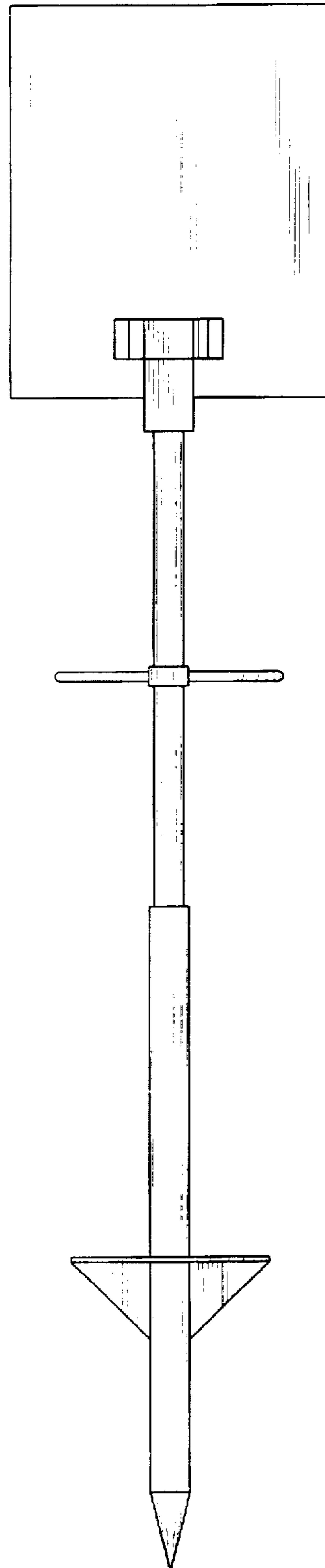


FIG. 3

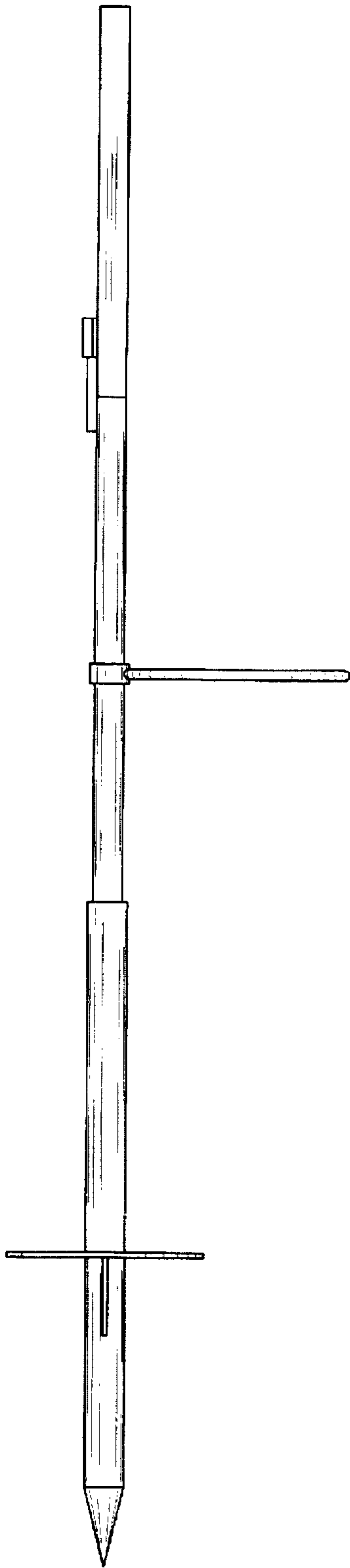
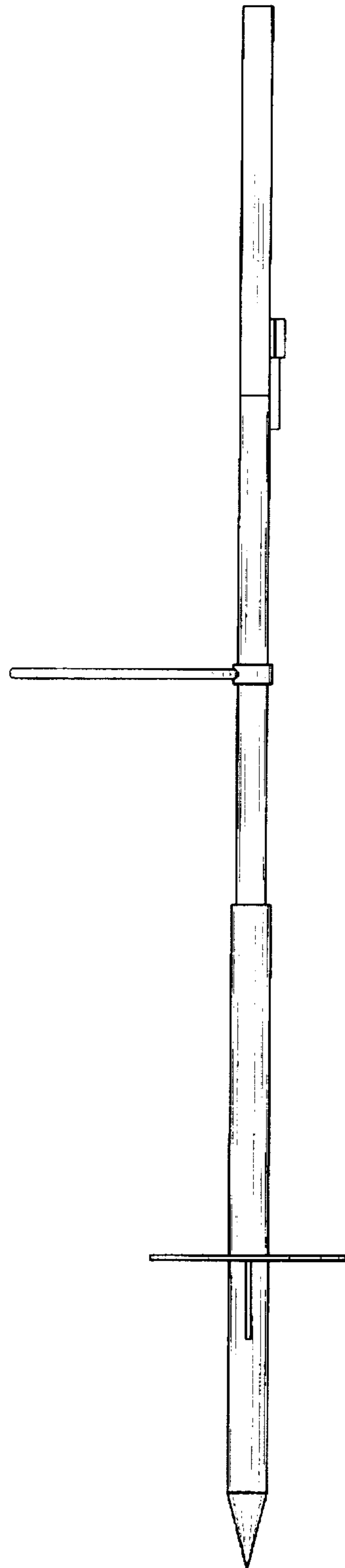
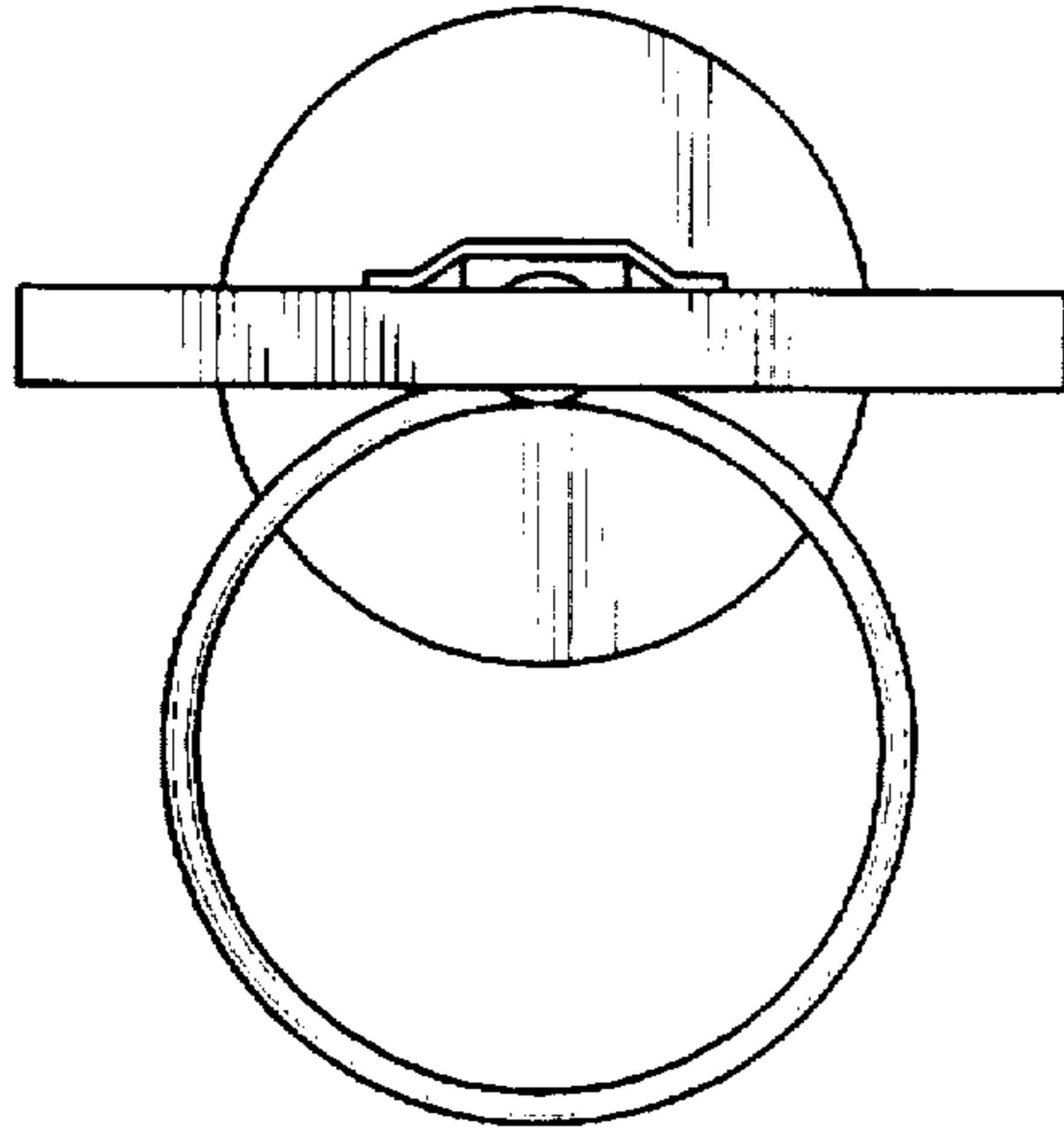


FIG. 4



*FIG. 5*



*FIG. 6*

