



US00D386878S

United States Patent [19]
Brunette

[11] **Patent Number:** **Des. 386,878**

[45] **Date of Patent:** ****Nov. 25, 1997**

[54] **VENETIAN BLIND WASHER TUB**

[76] **Inventor:** **Marc Brunette**, P.O. Box 89, Saint Adolphe, MB, Canada, R5A 1A1

[**] **Term:** **14 Years**

[21] **Appl. No.:** **47,618**

[22] **Filed:** **Dec. 8, 1995**

[51] **LOC (6) Cl.** **07-07**

[52] **U.S. Cl.** **D32/53**

[58] **Field of Search** D32/53, 35; 15/257.01, 15/102, 77, 302; D23/277; 52/11, 302.2, 302.3, 302.7; D7/354, 409; 34/237, 192; 296/38; D3/901; D30/131-3; D25/112, 113; 193/2 R; 220/571, 57.1

[56] **References Cited**

U.S. PATENT DOCUMENTS

D. 248,225	6/1978	Casteel	D34/29
D. 311,611	10/1990	Letarte et al.	D30/131
D. 345,235	3/1994	Lewis	D32/53
5,072,478	12/1991	Wagner et al.	15/102
5,097,562	3/1992	Tessier	15/302

Primary Examiner—Alan P. Douglas
Assistant Examiner—Robin V. Taylor
Attorney, Agent, or Firm—Harold H. Dutton, Jr.

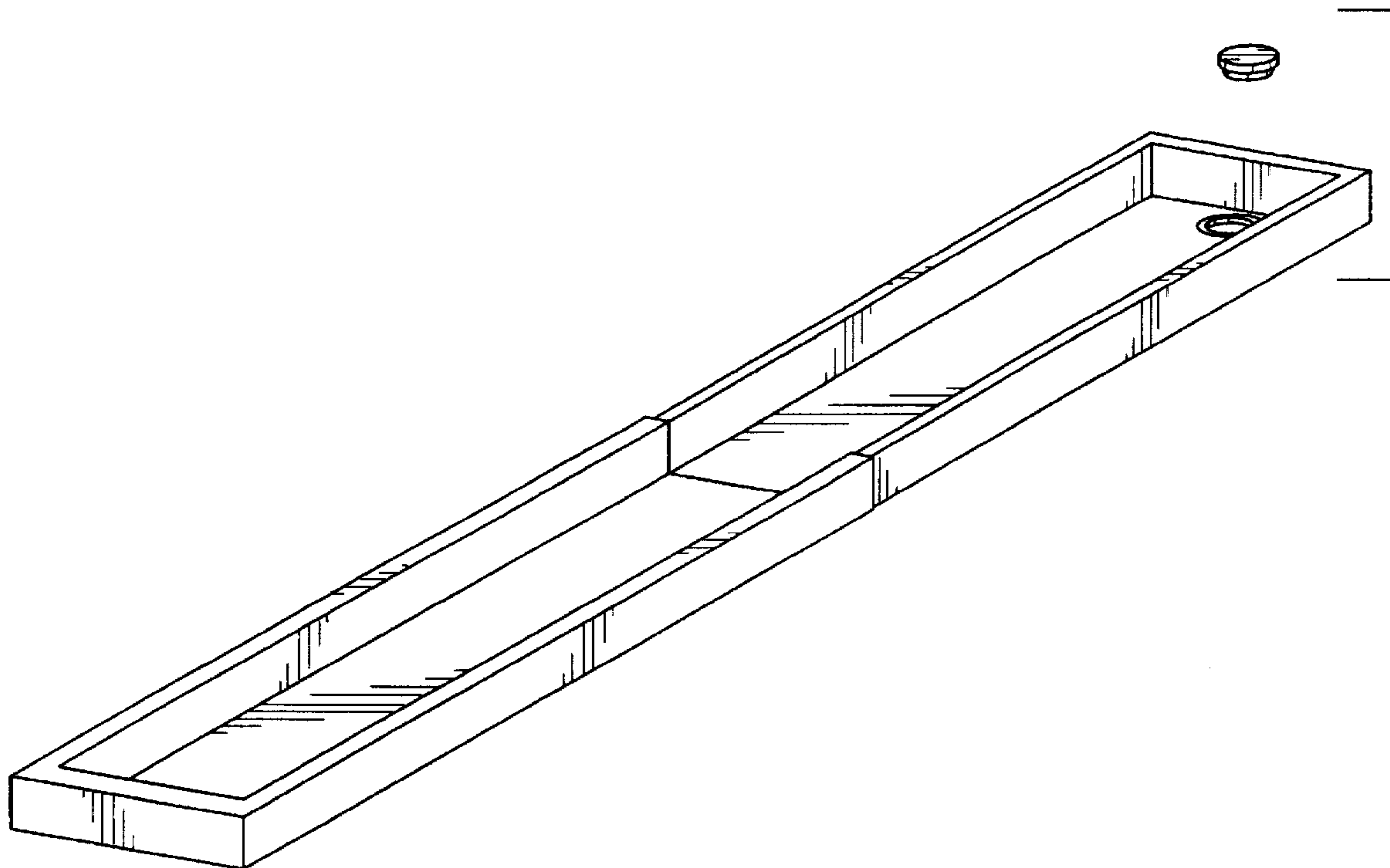
[57] **CLAIM**

The ornamental design for a venetian blind washer tub, as shown and described.

DESCRIPTION

FIG. 1 is an exploded perspective view of a venetian blind washer tub showing my new design;
FIG. 2 is a top view thereof;
FIG. 3 is a bottom view thereof;
FIG. 4 is a rear view thereof, the front view being a mirror image;
FIG. 5 is a left end view thereof, the right end view being identical;
FIG. 6 is a side view of the plug, shown separately for ease of illustration;
FIG. 7 is a bottom view thereof; and,
FIG. 8 is a top view thereof.

1 Claim, 3 Drawing Sheets



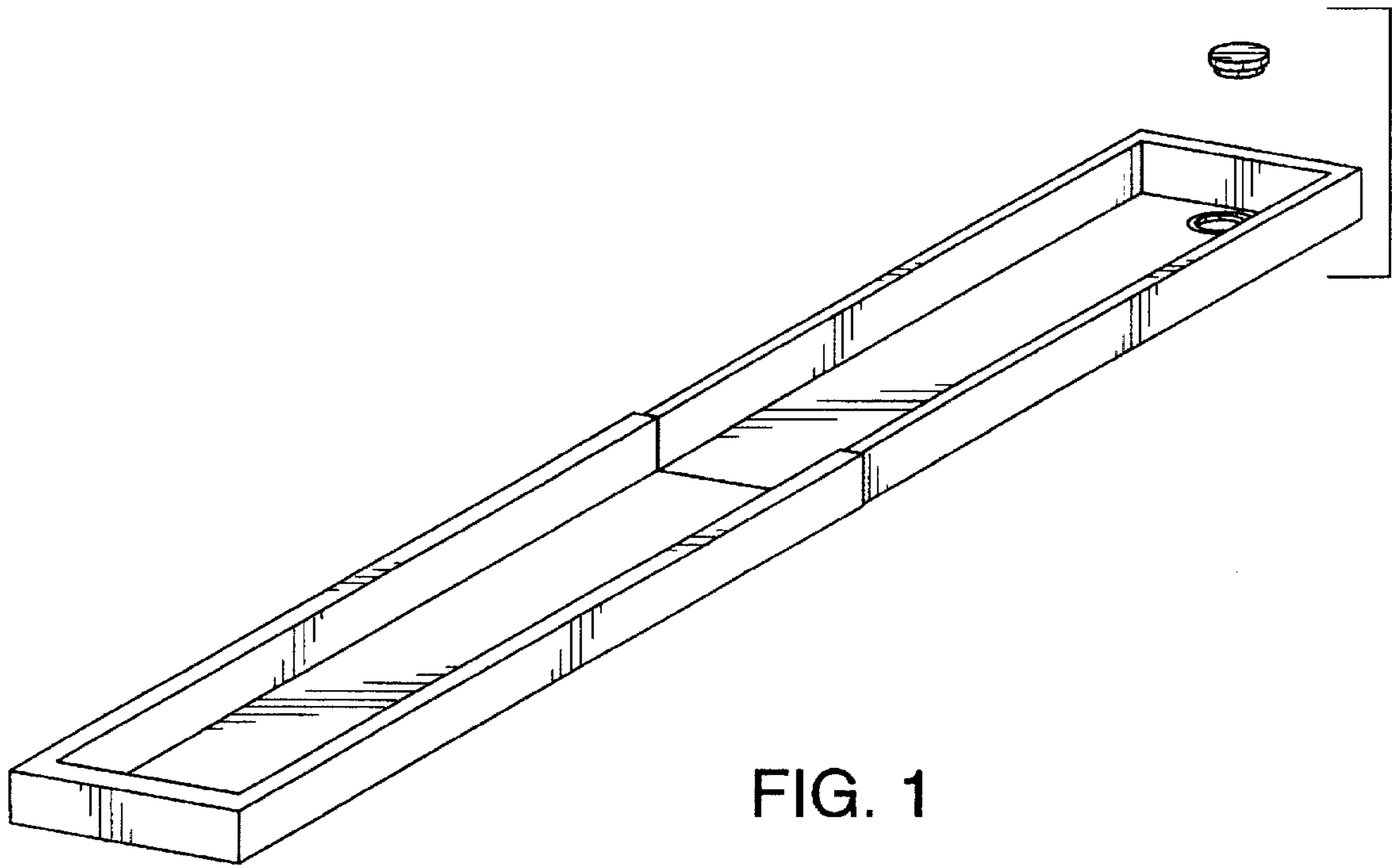


FIG. 1

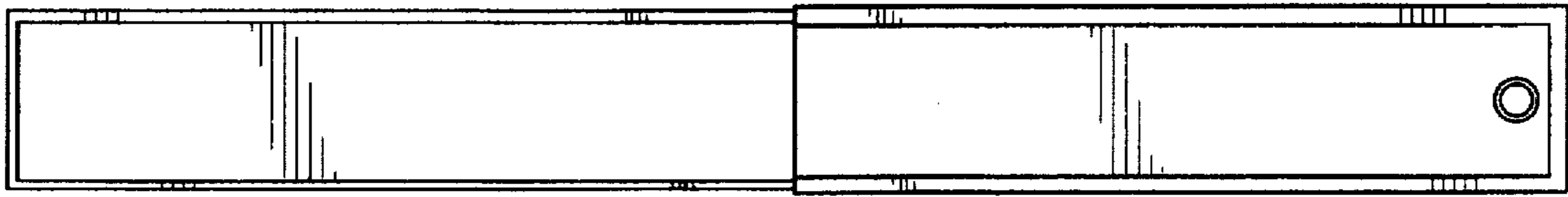


FIG. 2

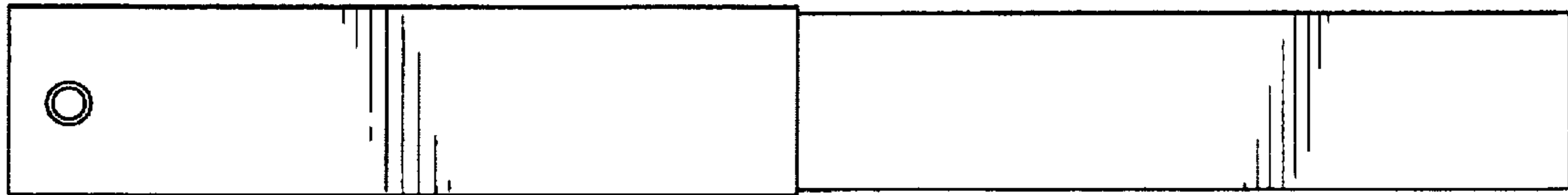


FIG. 3



FIG. 4



FIG. 5

FIG. 6

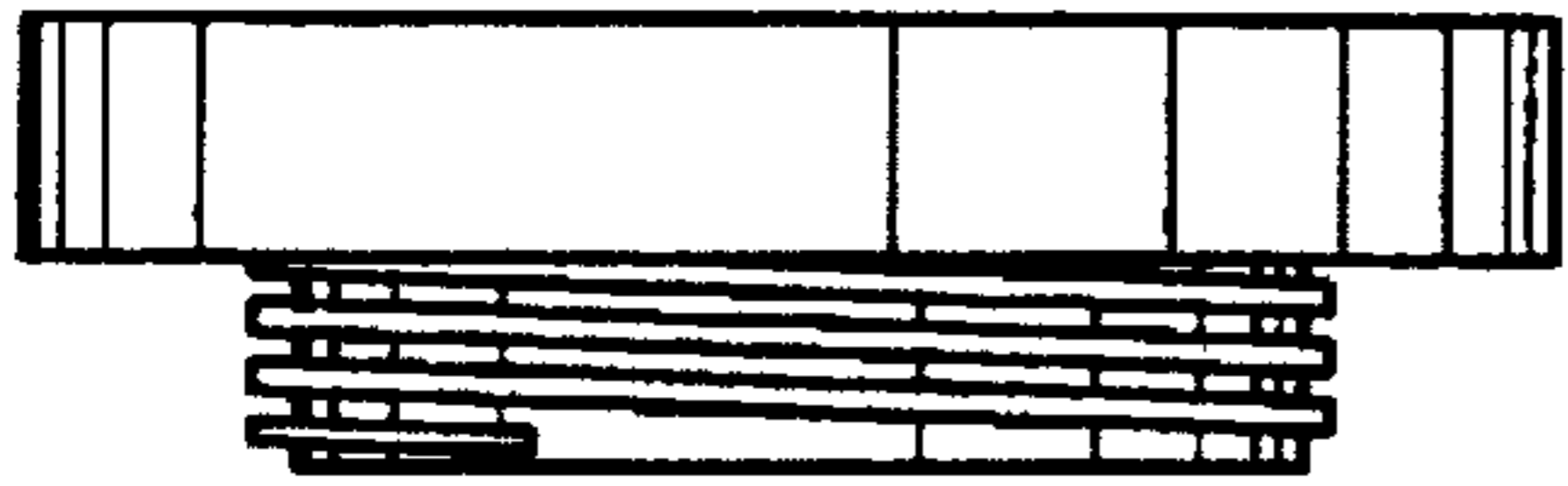


FIG. 7

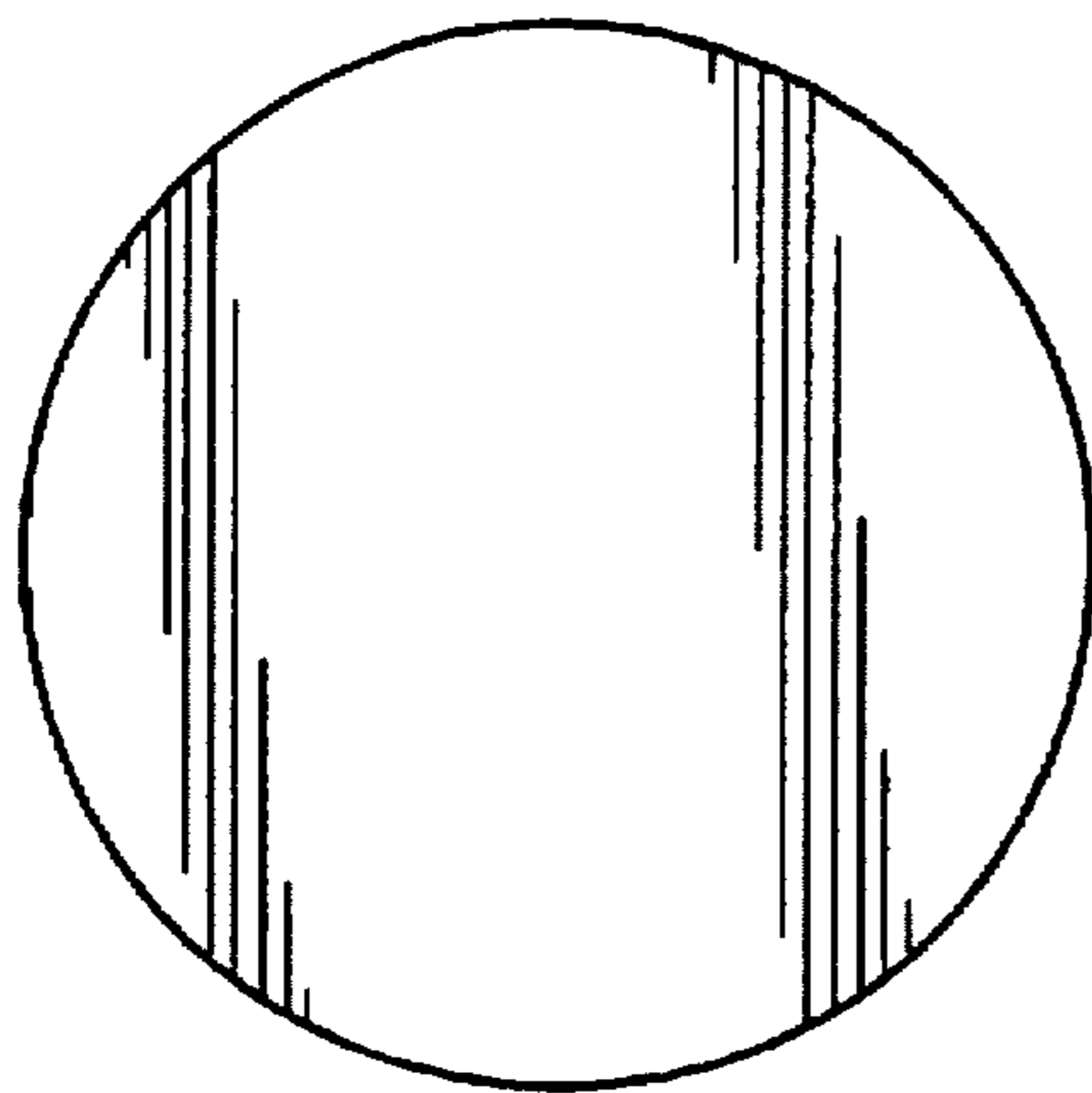
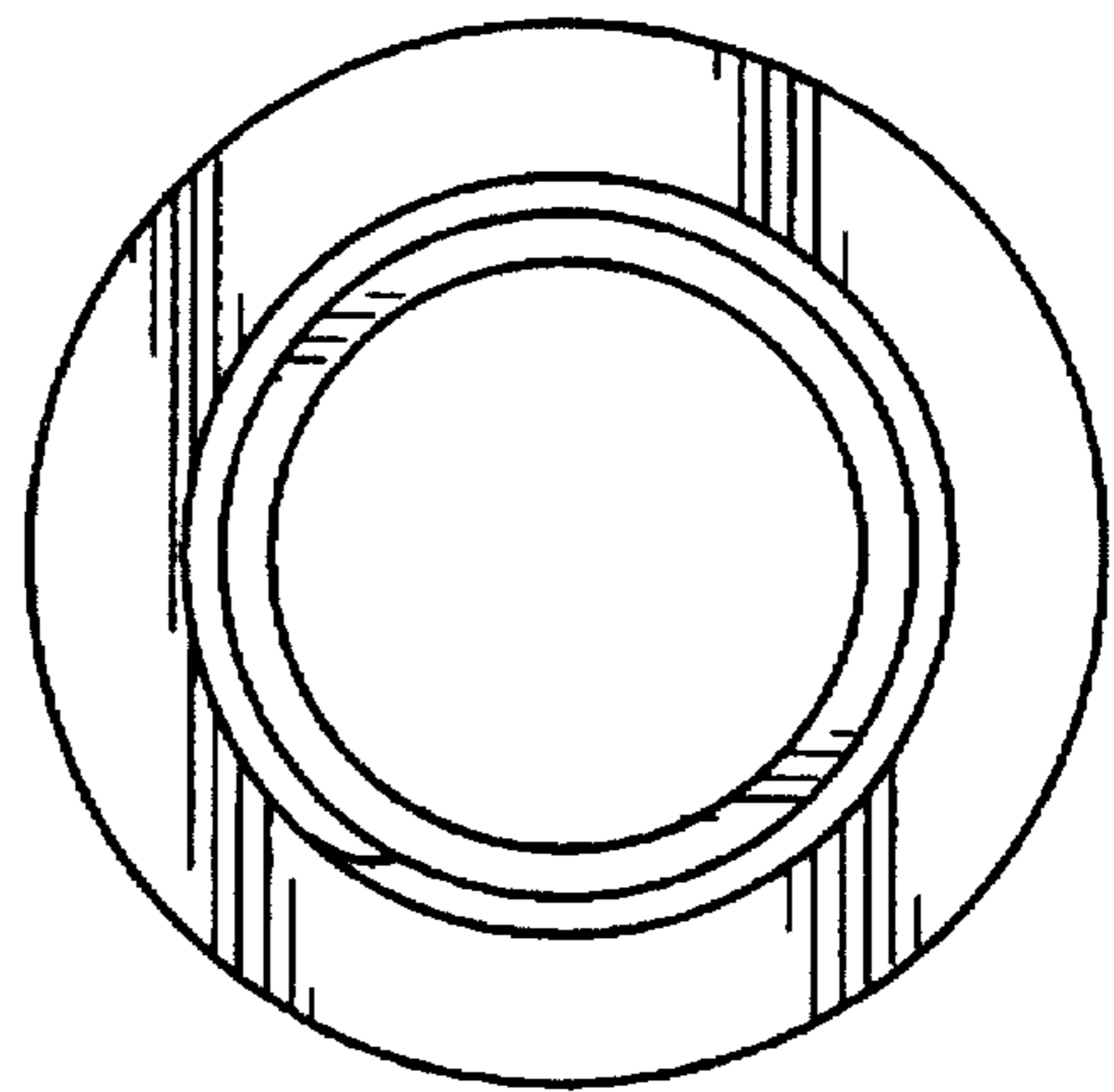


FIG. 8