



US00D386875S

United States Patent [19]
Kim

[11] **Patent Number: Des. 386,875**
[45] **Date of Patent: **Nov. 25, 1997**

[54] **FORKLIFT**

[75] **Inventor: Jong Hyun Kim, Masan, Rep. of Korea**

[73] **Assignee: Samsung Heavy Industries Co., Ltd., Seoul, Rep. of Korea**

[**] **Term: 14 Years**

[21] **Appl. No.: 45,462**

[22] **Filed: Oct. 20, 1995**

[51] **LOC (6) Cl. 12-05**

[52] **U.S. Cl. D34/34**

[58] **Field of Search D34/28, 34, 37;
180/89.12, 89.13, 89.17; 187/222; 414/572,
592, 785**

[56] **References Cited**

U.S. PATENT DOCUMENTS

D. 346,259	4/1994	Laatsch	D34/34
D. 353,704	12/1994	Bhambra	D34/34
D. 354,604	1/1995	Soederberg	D34/34
4,043,472	8/1977	Hoyt	414/592
4,506,750	3/1985	Leskovec	180/89.17

Primary Examiner—A. Hugo Word
Assistant Examiner—Robin V. Taylor

[57] **CLAIM**

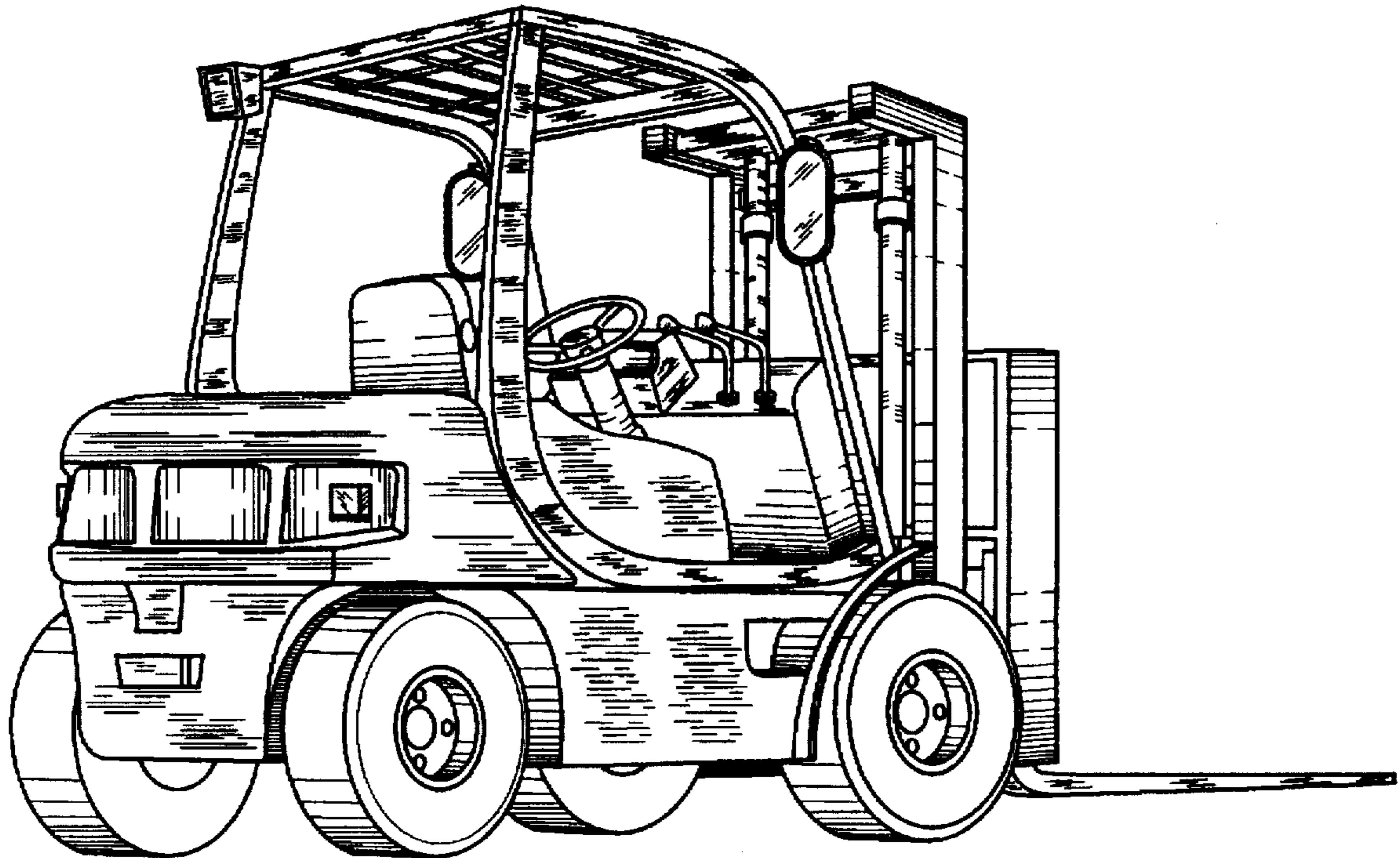
The ornamental design for a forklift, as shown and described.

DESCRIPTION

FIG. 1 is a right side view of a forklift according to my novel design;
 FIG. 2 is a left side view of a forklift according to my novel design;
 FIG. 3 is a front view of a forklift according to my novel design;
 FIG. 4 is a rear view of a forklift according to my novel design;
 FIG. 5 is a right-front perspective view of a forklift according to my novel design;
 FIG. 6 is a right-rear perspective view of a forklift according to my novel design;
 FIG. 7 is a top view of a forklift according to my novel design.

The right and left sides of the forklift are symmetrical and its bottom is plain and unornamented.

1 Claim, 5 Drawing Sheets



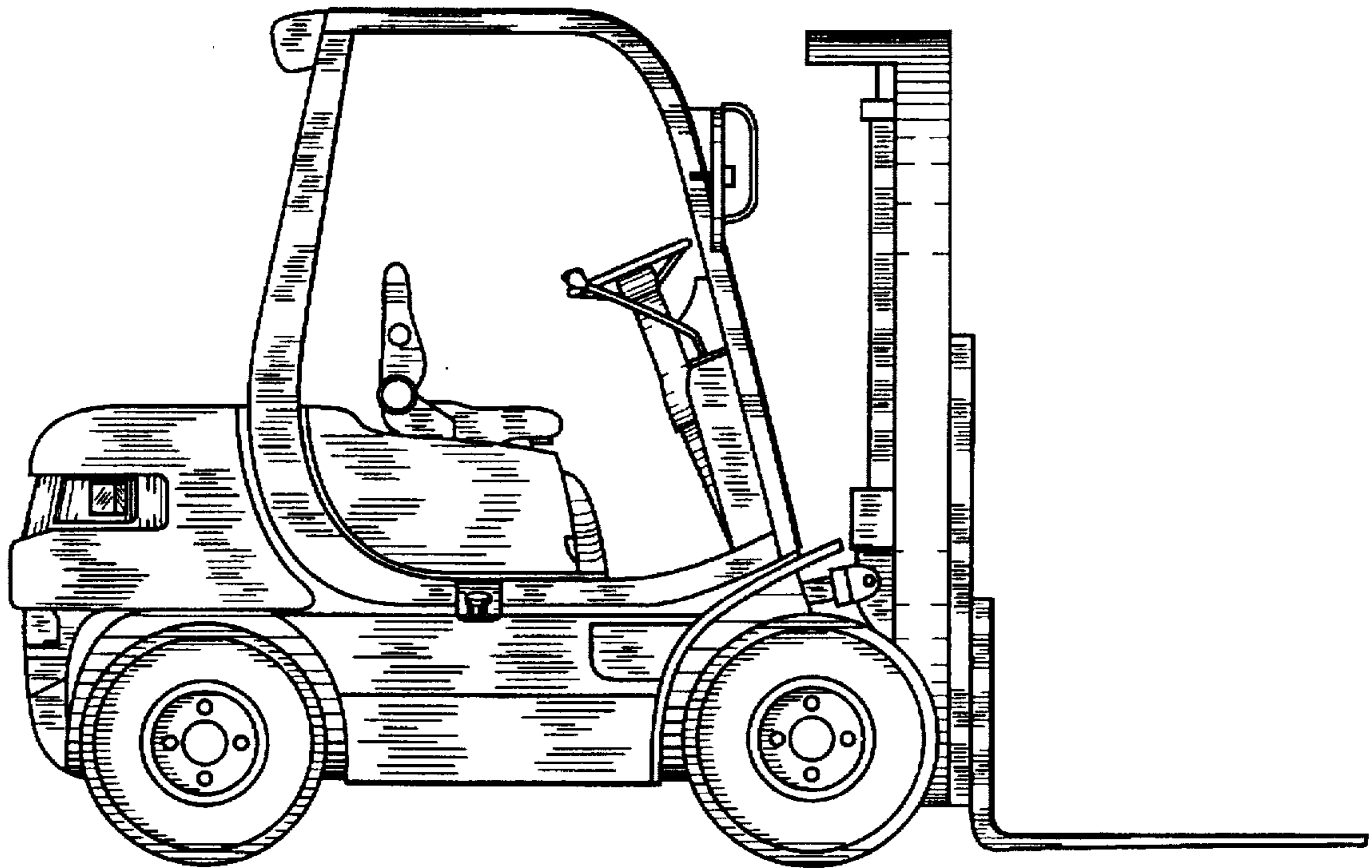


FIG. 1

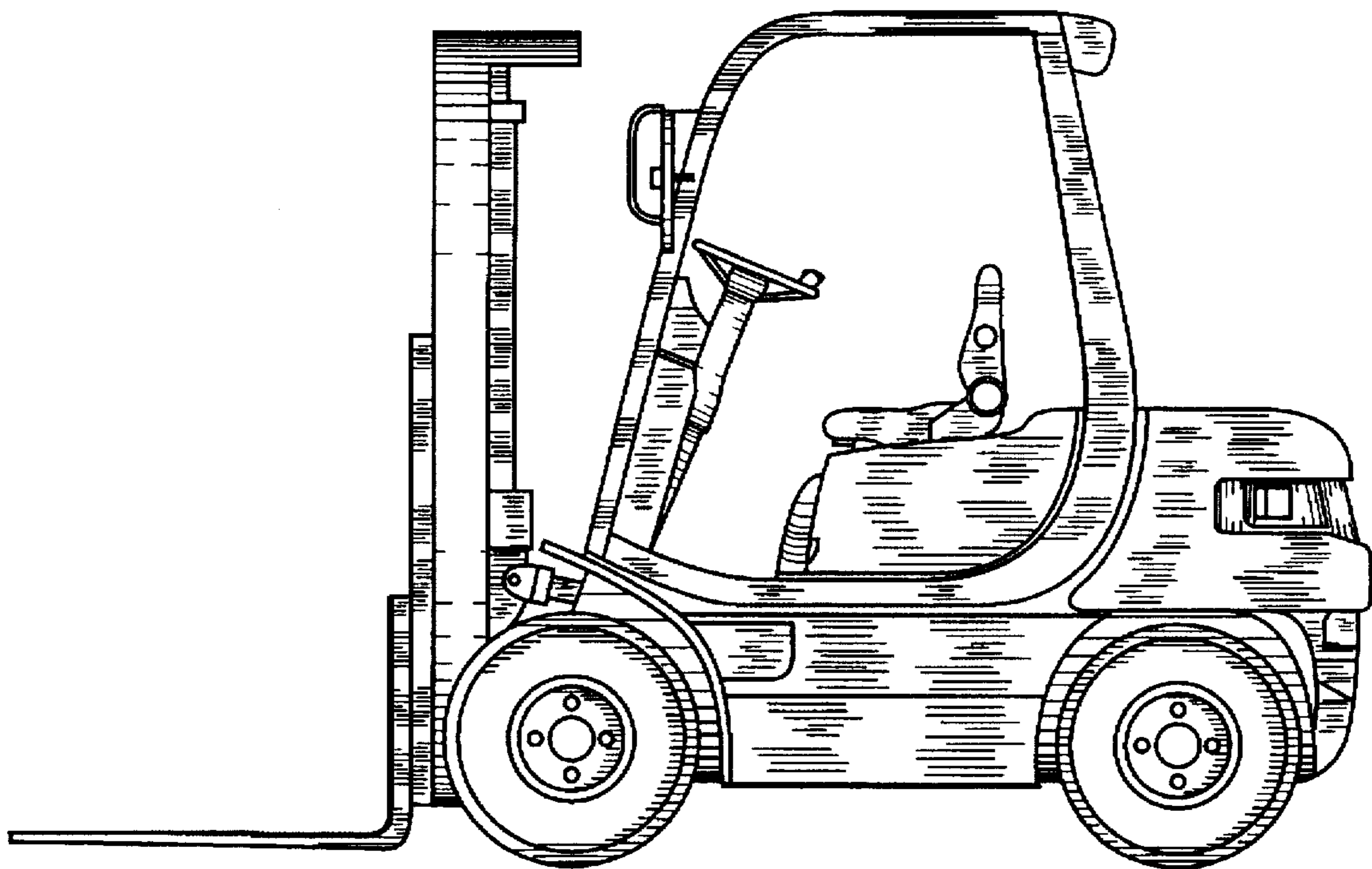


FIG. 2

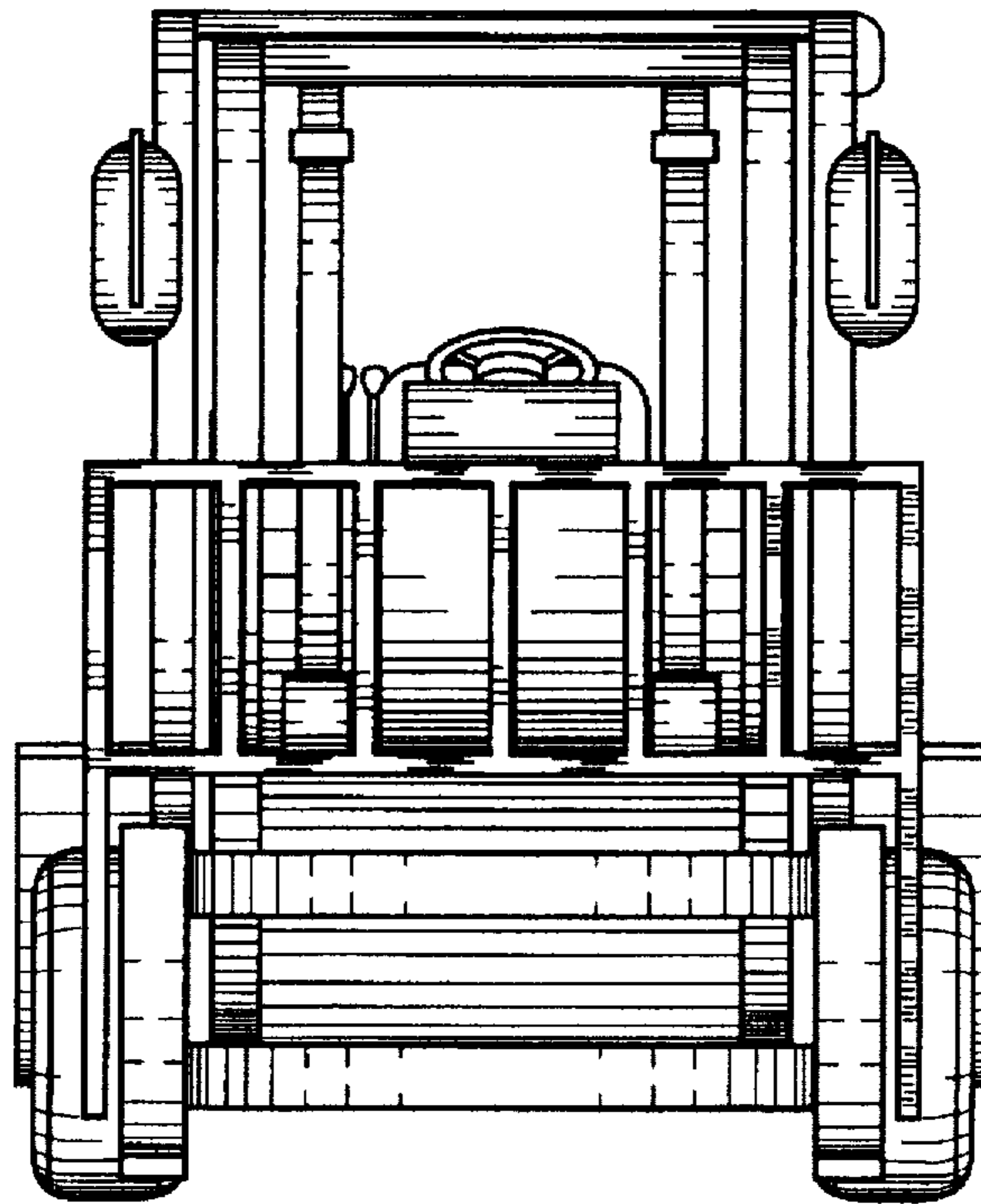


FIG. 3

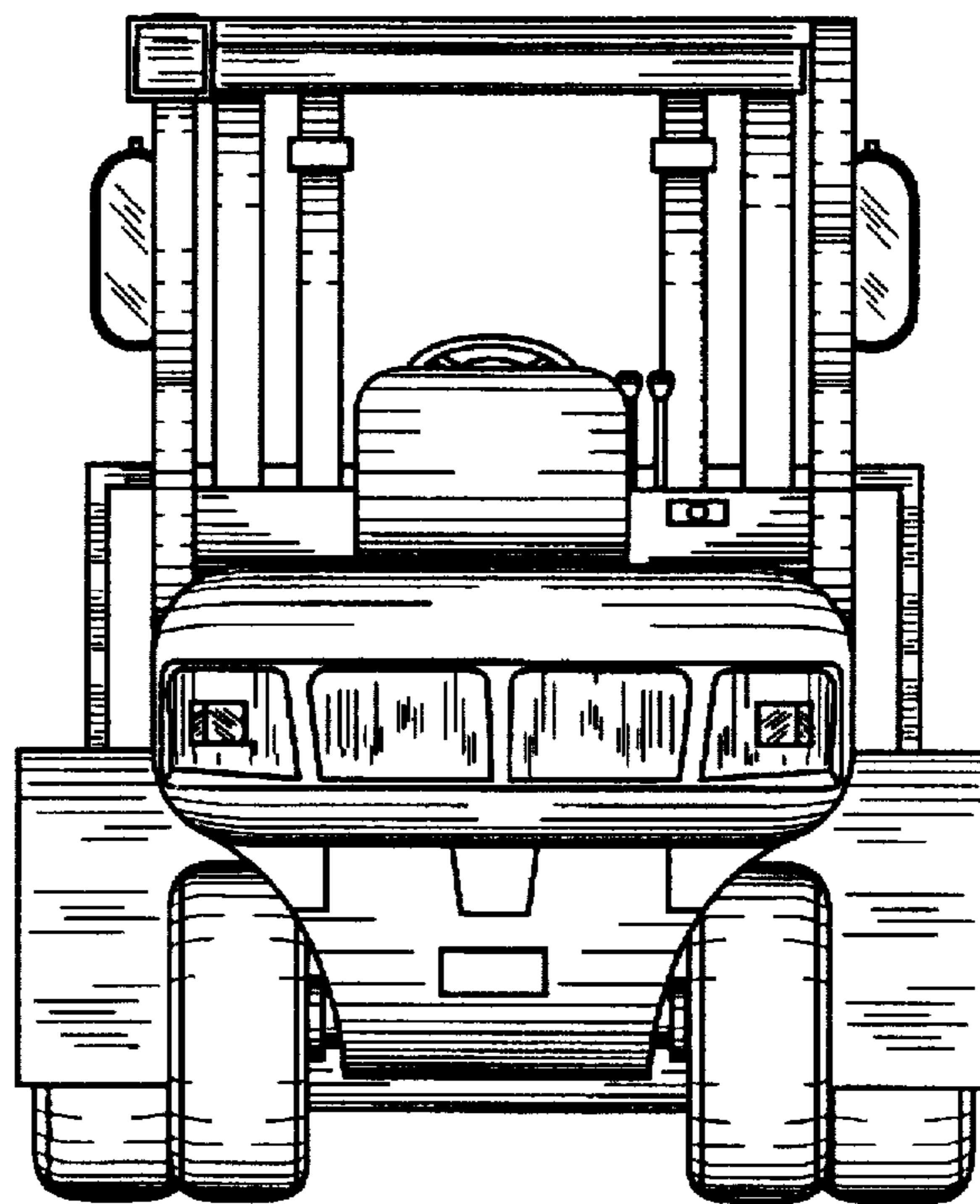


FIG. 4

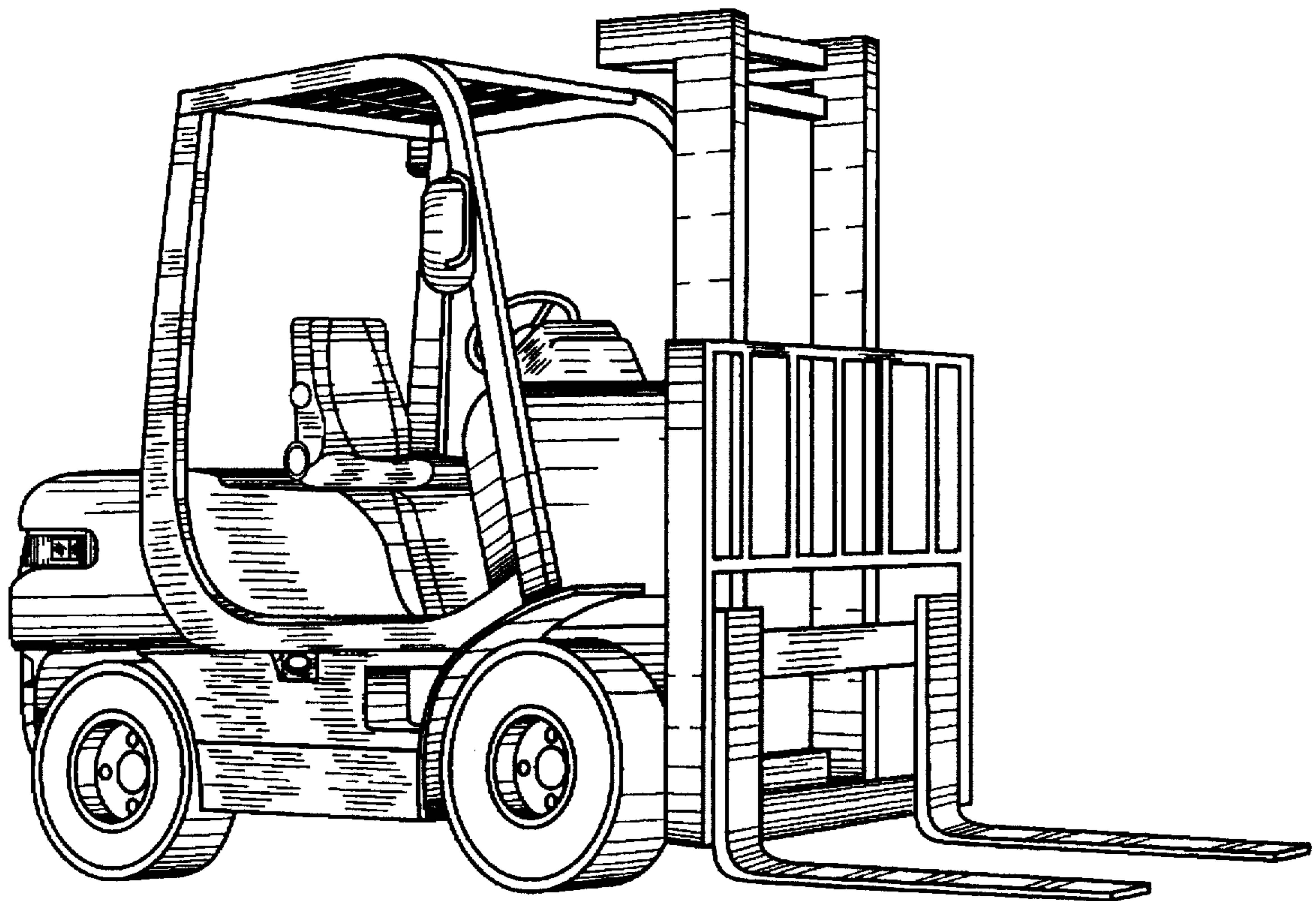


FIG. 5

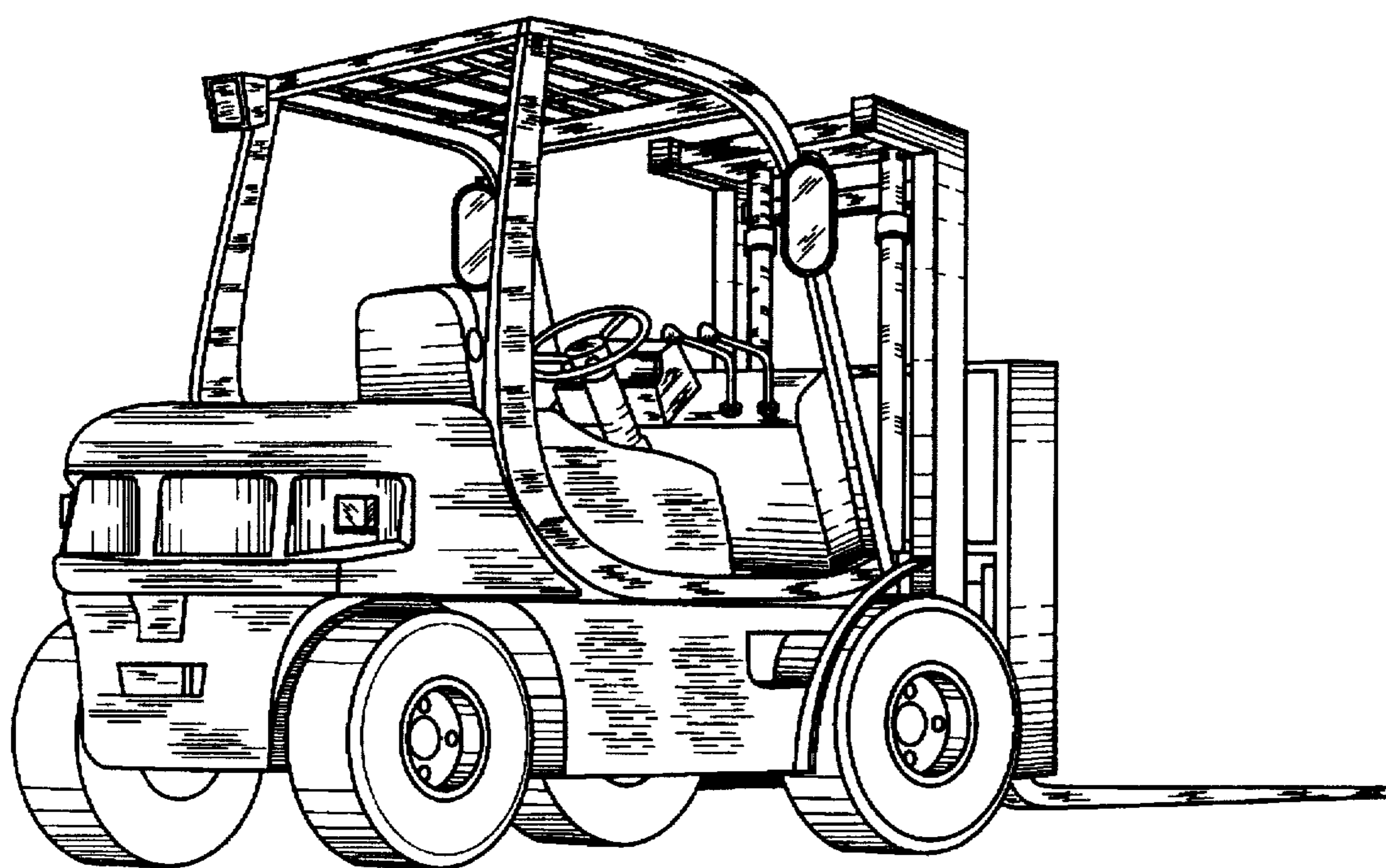


FIG. 6

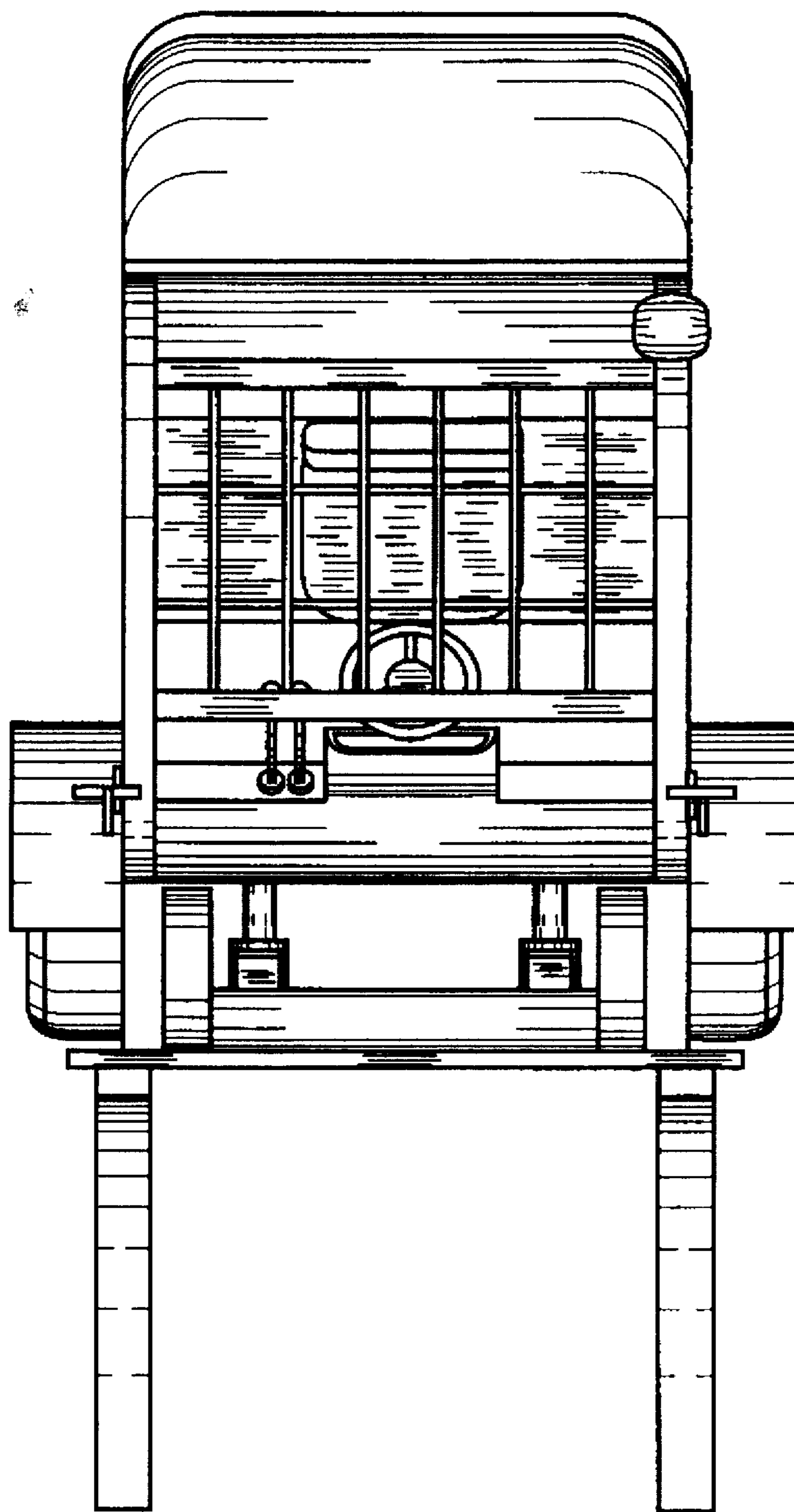


FIG. 7