



US00D386874S

United States Patent [19]

[11] Patent Number: **Des. 386,874**

Glaun

[45] Date of Patent: ****Nov. 25, 1997**

[54] **ACCELERATOR VANE FOR A CENTRIFUGE**

4,334,647	6/1982	Taylor	494/53
4,731,182	3/1988	High	494/54
5,234,400	8/1993	Kluge	494/54
5,380,266	1/1995	Leung et al.	494/53

[75] Inventor: **J. Asher Glaun**, Sharon, Mass.

[73] Assignee: **Baker Hughes Incorporated**, Houston, Tex.

Primary Examiner—Alan P. Douglas
Assistant Examiner—Robin V. Taylor
Attorney, Agent, or Firm—Trask, Britt & Rossa

[**] Term: **14 Years**

[57] **CLAIM**

[21] Appl. No.: **40,792**

The ornamental design for an accelerator vane for a centrifuge, as shown and described.

[22] Filed: **Jun. 27, 1995**

DESCRIPTION

[51] LOC (6) Cl. **12-05**

[52] U.S. Cl. **D34/29**

[58] Field of Search D34/29; 494/53,
494/54, 55, 58

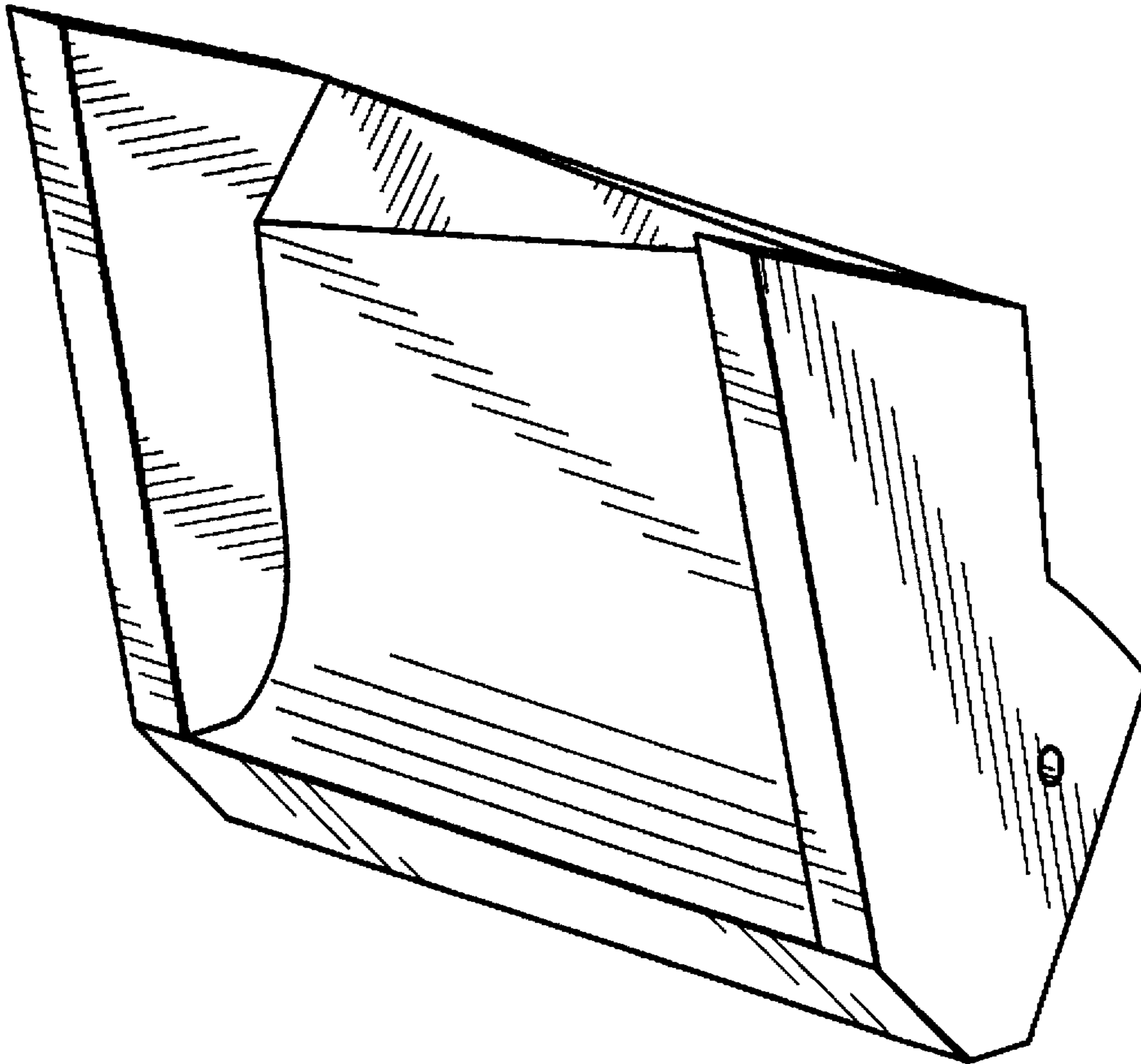
FIG. 1 is a view in perspective of the invention;
FIG. 2 is a rear view thereof;
FIG. 3 is a front view thereof;
FIG. 4 is a right side view thereof;
FIG. 5 is a left side view thereof;
FIG. 6 is a bottom view thereof; and,
FIG. 7 is a top plan view thereof.

[56] **References Cited**

U.S. PATENT DOCUMENTS

1,307,000	6/1919	Estep	494/55
3,862,714	1/1975	Boadway	494/53
3,937,317	2/1976	Fleury	494/54

1 Claim, 2 Drawing Sheets



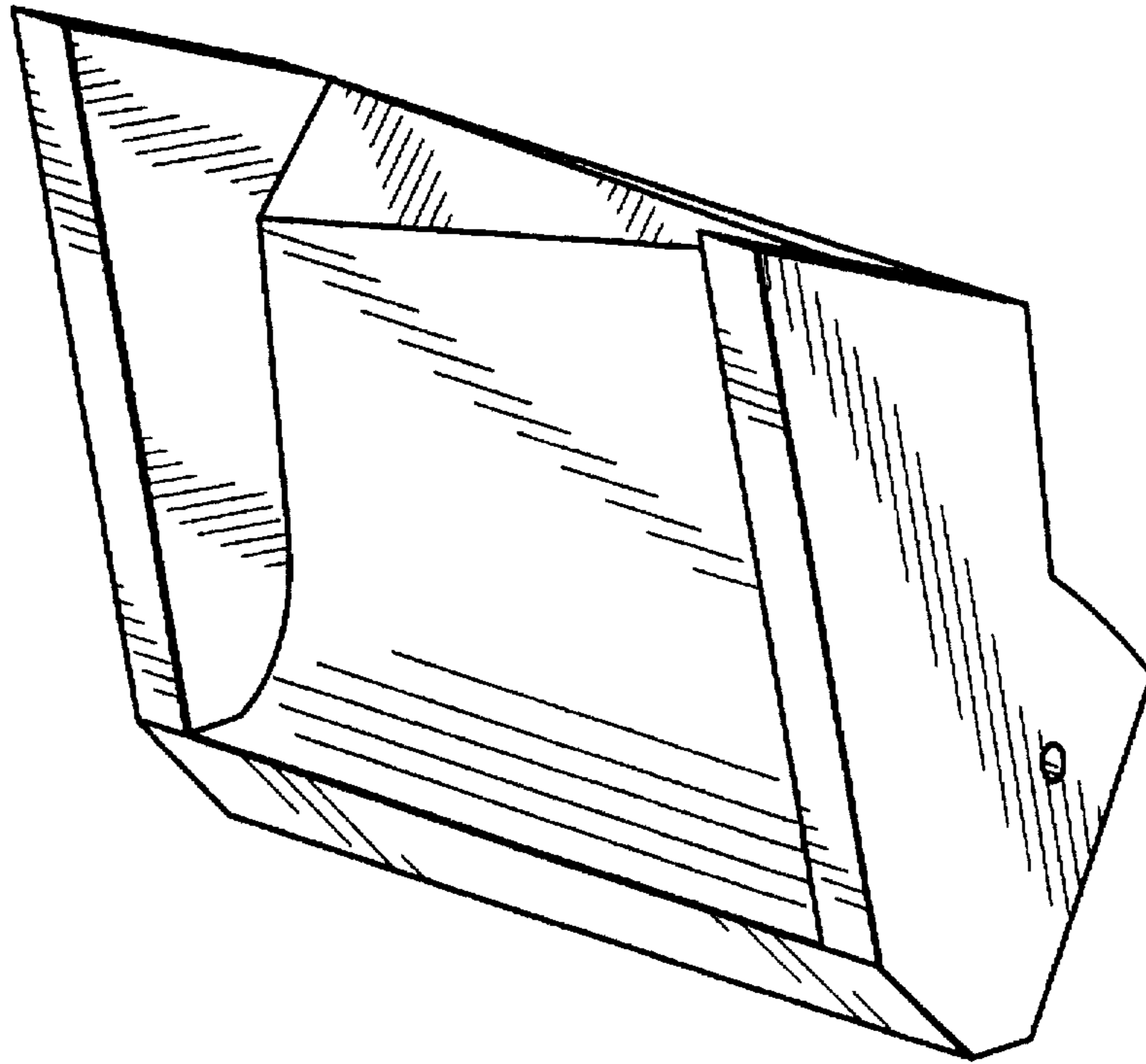


Fig. 1

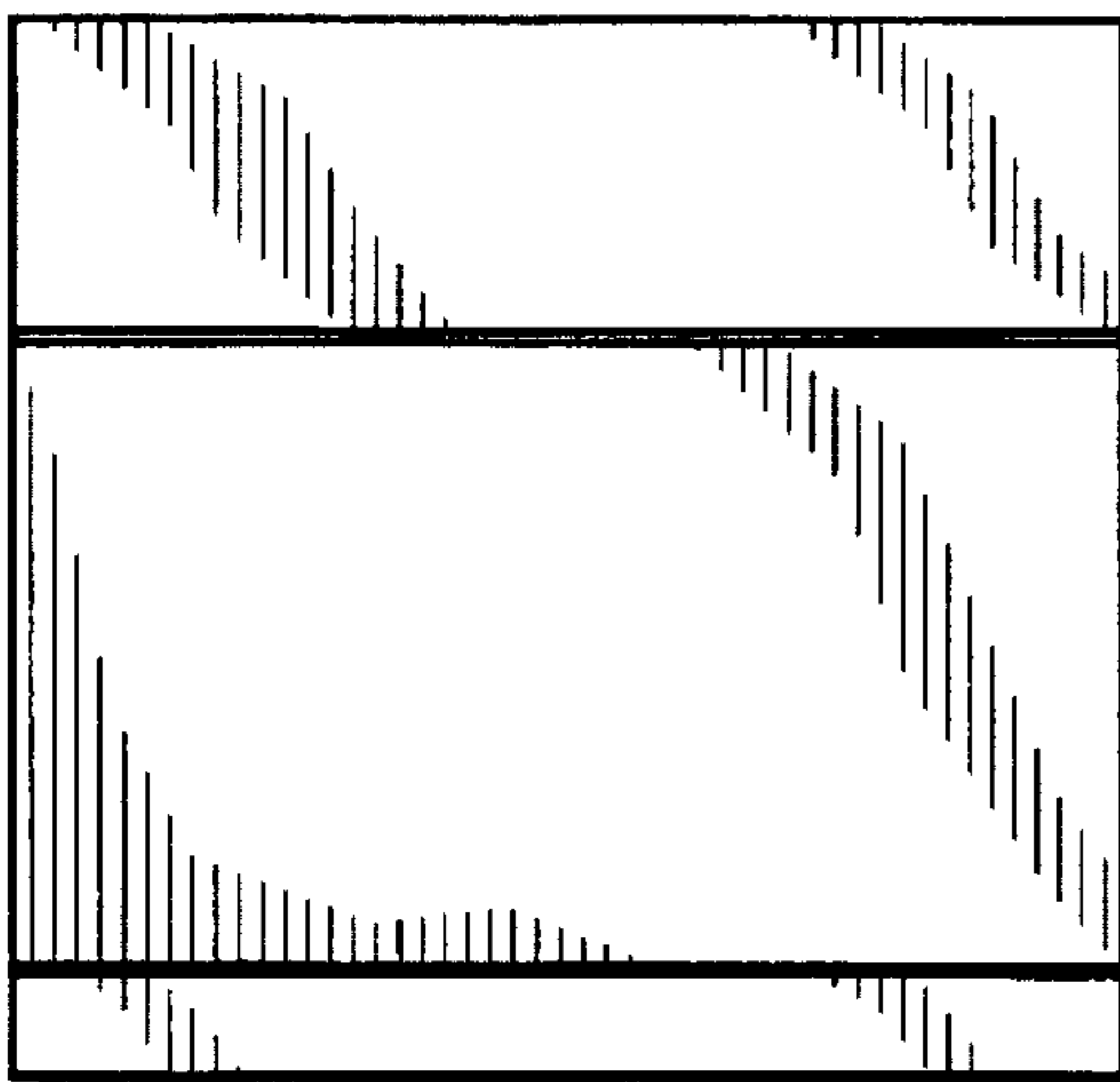


Fig. 2

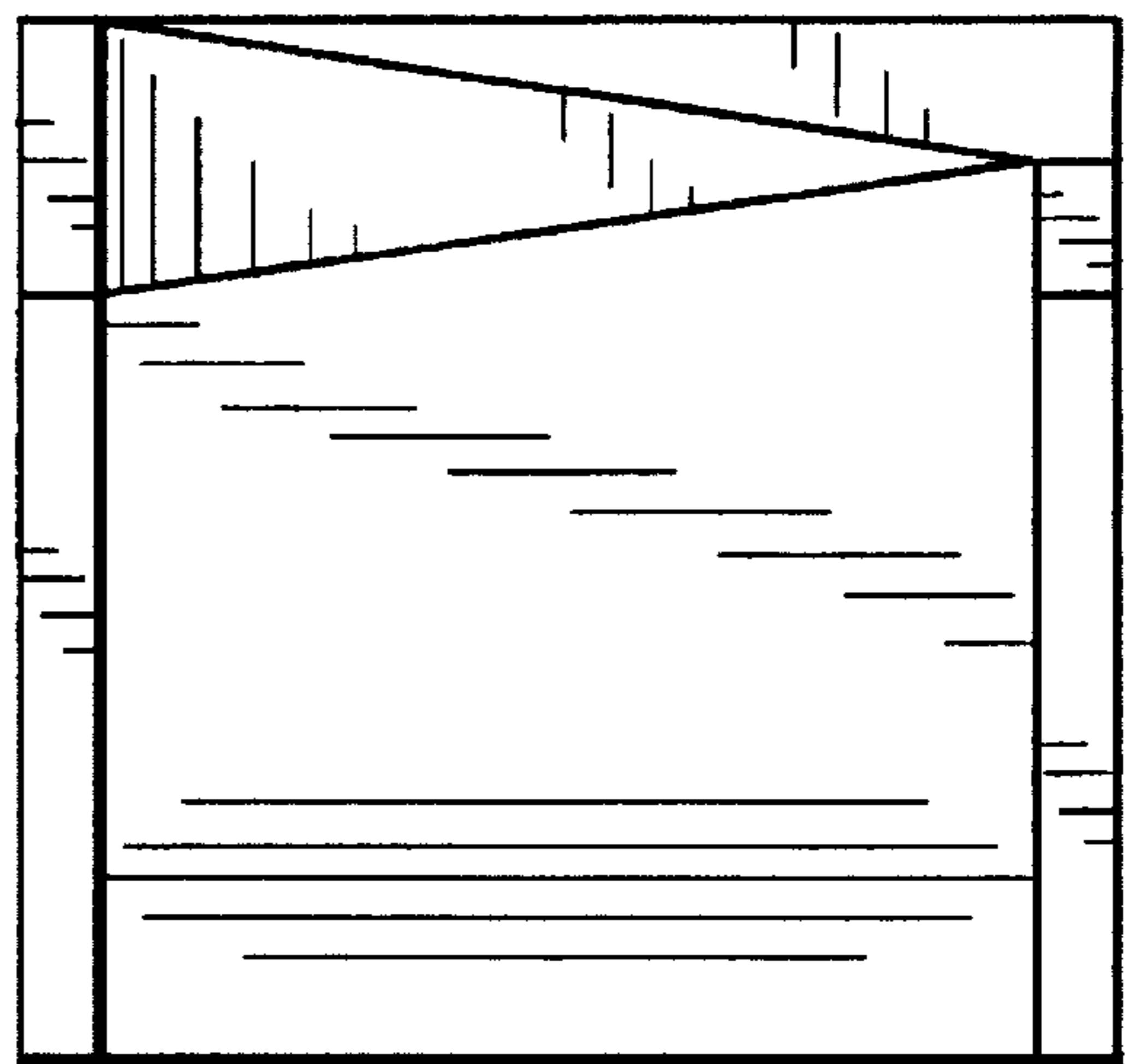


Fig. 3

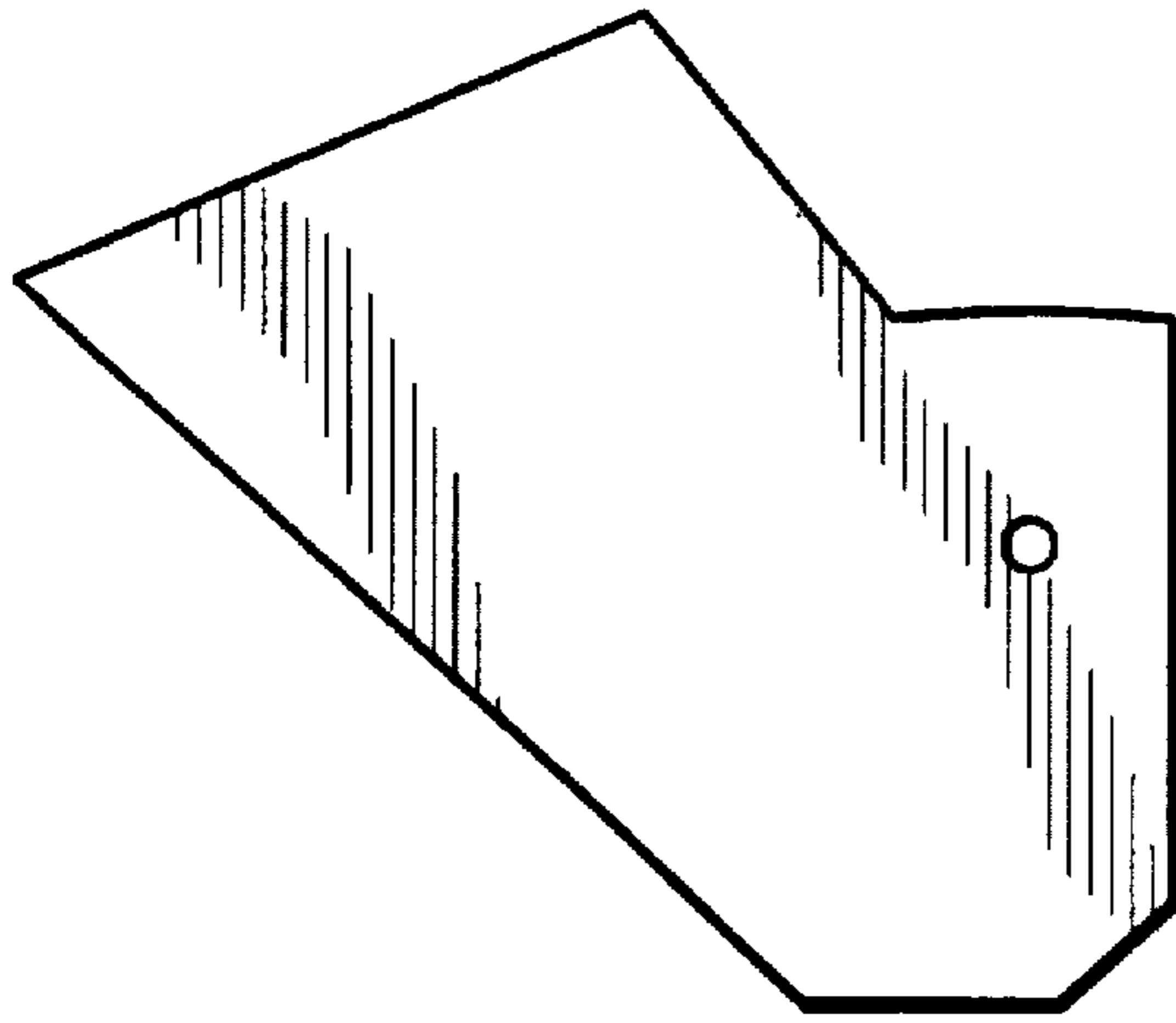


Fig. 4

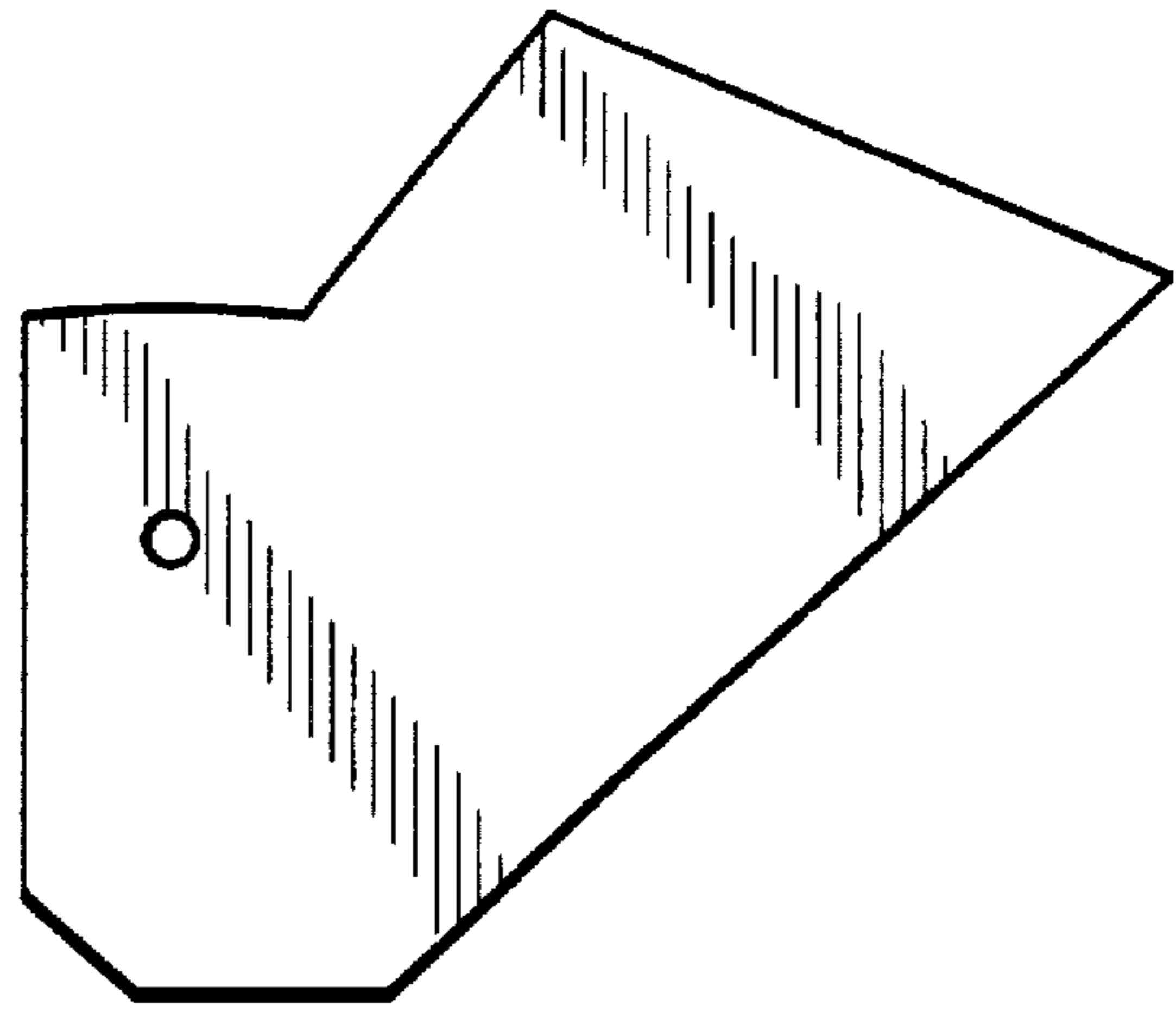


Fig. 5

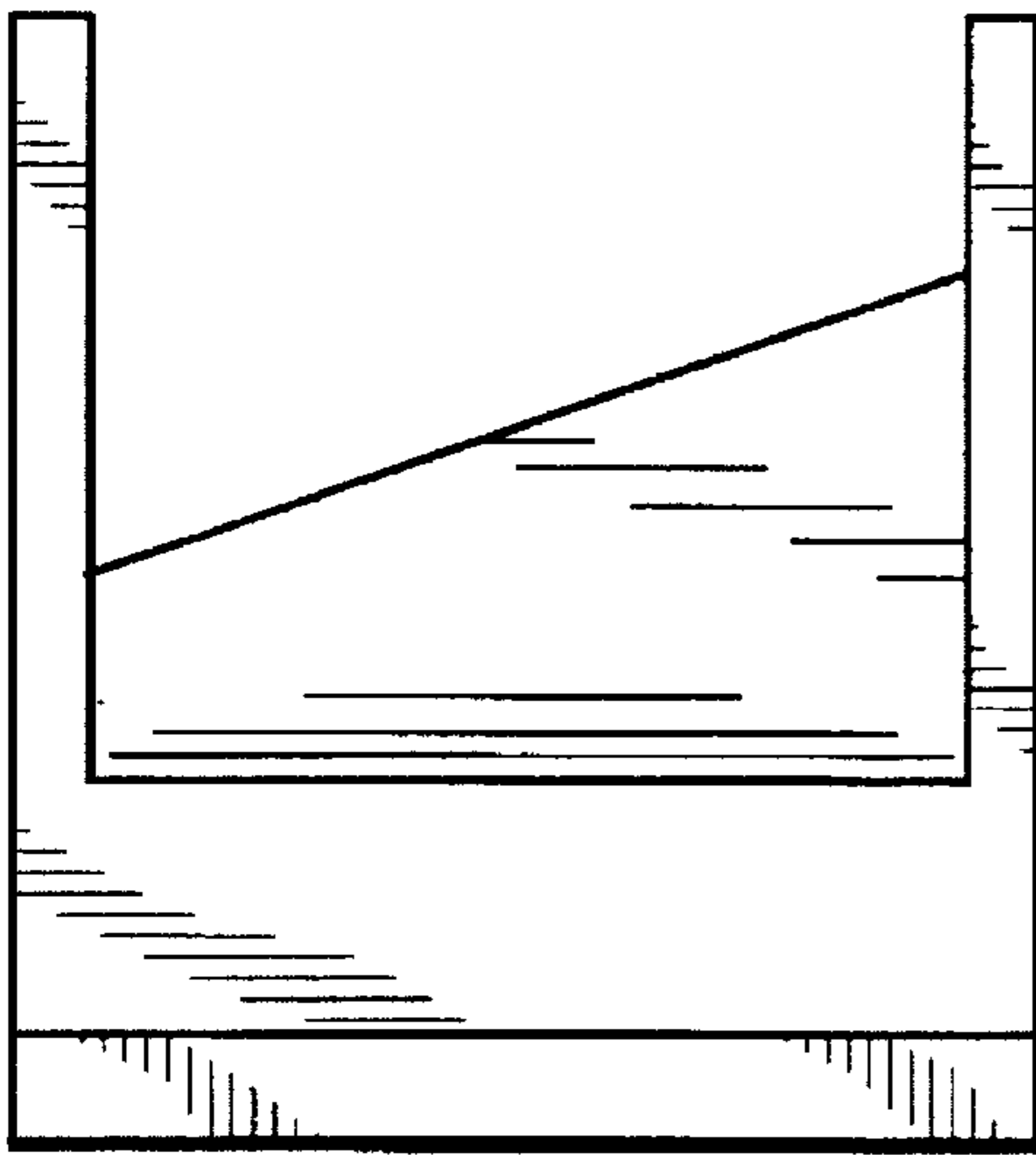


Fig. 6

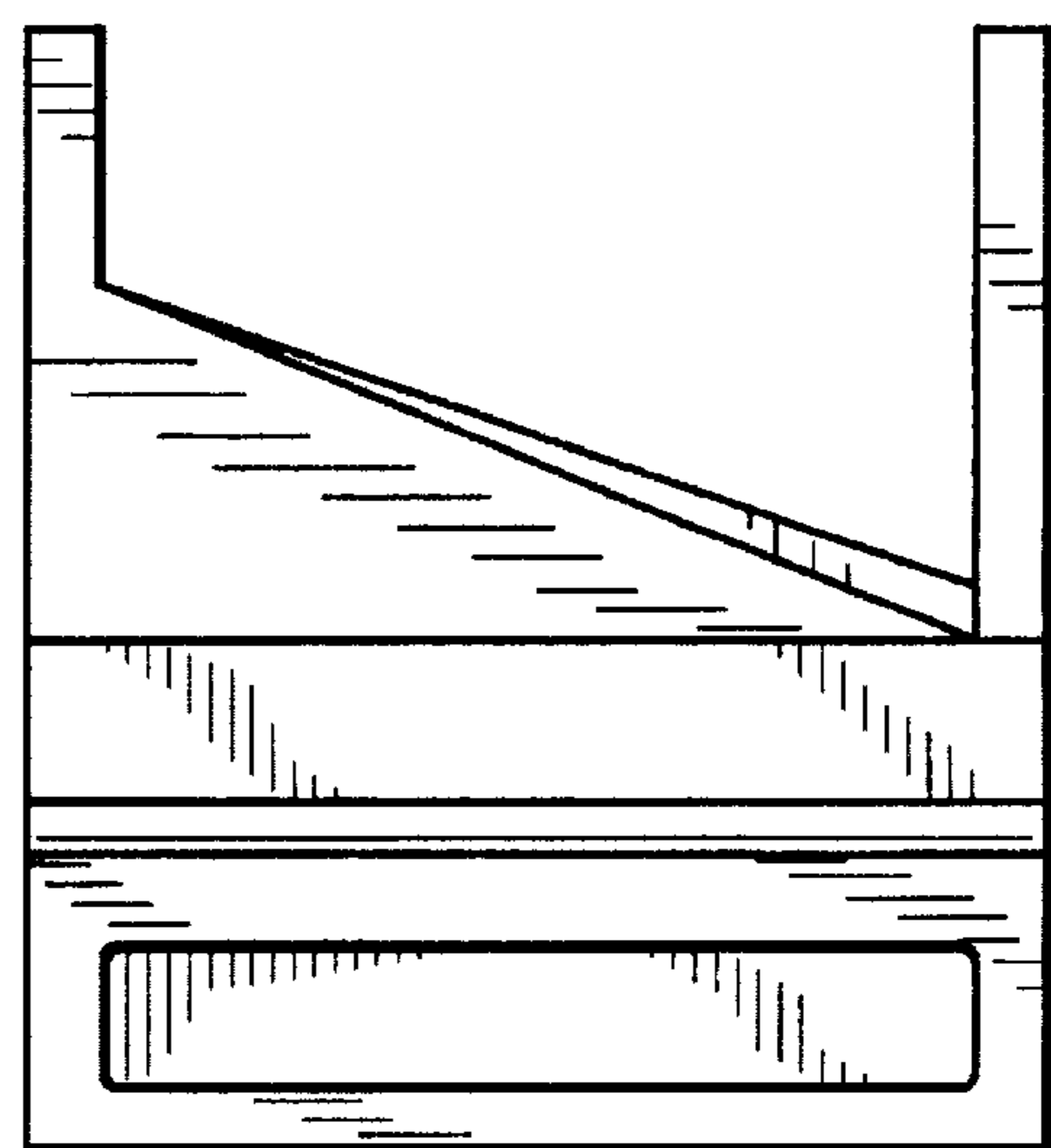


Fig. 7