



US00D386873S

United States Patent [19]

[11] Patent Number: Des. 386,873

Langlois D'Estaintot et al.

[45] Date of Patent: **Nov. 25, 1997

[54] CADDY OR CART FOR SELF SERVICE STORES

D. 366,546 1/1996 Schaub et al. D34/20

[75] Inventors: Pierre Langlois D'Estaintot, Meudon; Jean-Charles Detallante, Paris, both of France

Primary Examiner—Kay H. Chin
Attorney, Agent, or Firm—Fisher, Christen & Sabol

[73] Assignee: Societe Anonyme des Marches-Usines Auchan S.A.M.U.-Auchan, Villeneuve D'Ascq, France

[57] CLAIM

The ornamental design for a caddy or cart for self service stores, as shown and described.

[**] Term: 14 Years

DESCRIPTION

[21] Appl. No.: 44,723

FIG. 1 is a front perspective view of the caddy or cart for self service stores showing the design of the invention;

[22] Filed: Sep. 15, 1995

FIG. 2 is an elevational view of the right side of the caddy or cart shown in FIG. 1;

[30] Foreign Application Priority Data

Mar. 15, 1995 [FR] France 951564

FIG. 3 is an elevational view of the back of the caddy or cart shown in FIG. 1;

[51] LOC (6) Cl. 12-02

[52] U.S. Cl. D34/21; D12/129

FIG. 4 is an elevational view of the front of the caddy or cart shown in FIG. 1;

[58] Field of Search D34/12, 20, 21; 280/33.991, 33.992, 33.993, 33.994, 33.995, 33.996, DIG. 4; D12/129

FIG. 5 is a top view of the caddy or cart as shown in FIG. 1; and,

FIG. 6 is a bottom view of the caddy or cart as shown in FIG. 1.

[56] References Cited

U.S. PATENT DOCUMENTS

D. 363,589 10/1995 Lafleur et al. D34/21

1 Claim, 4 Drawing Sheets

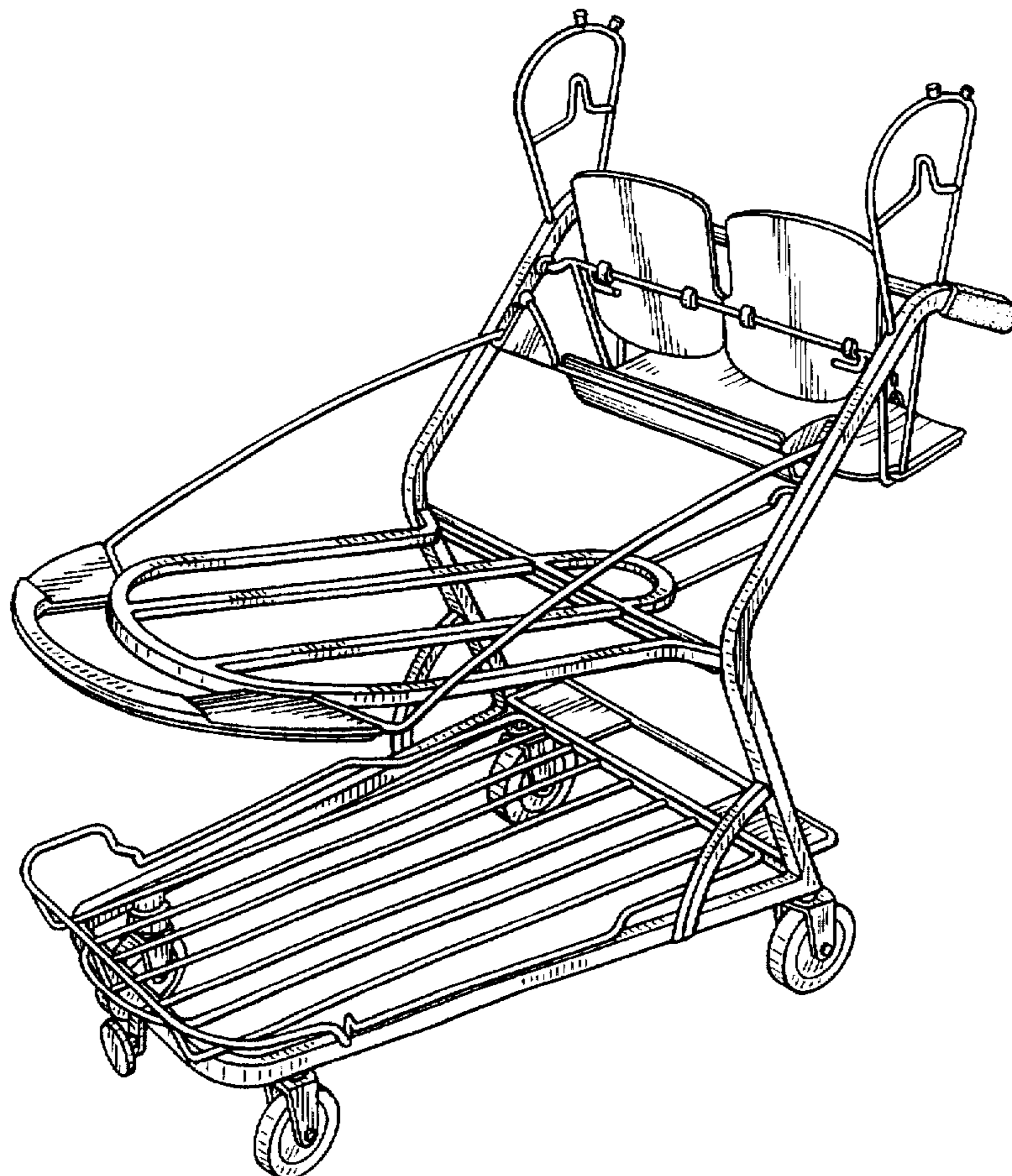


FIG. 1



FIG. 2

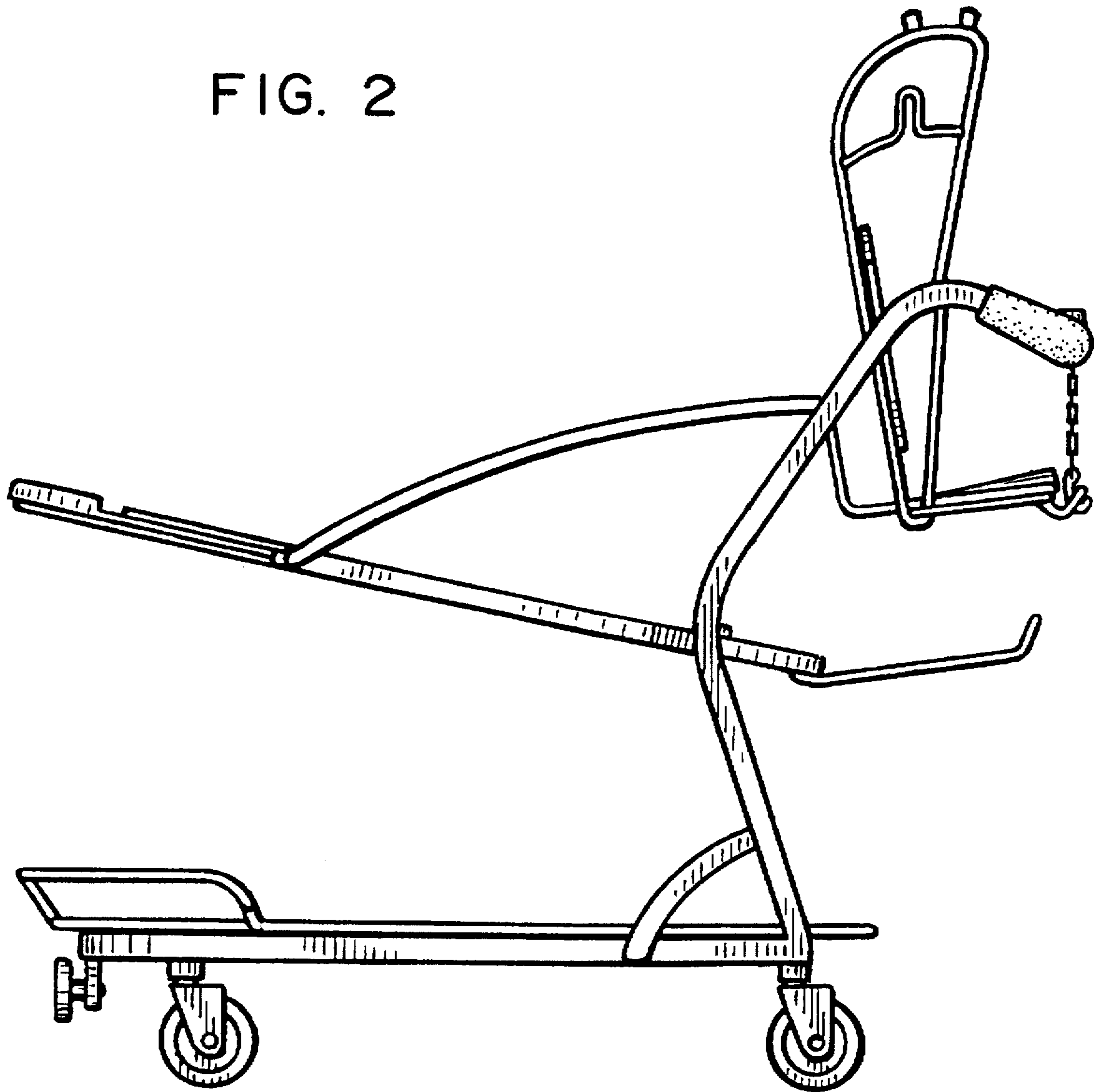


FIG. 3

FIG. 4

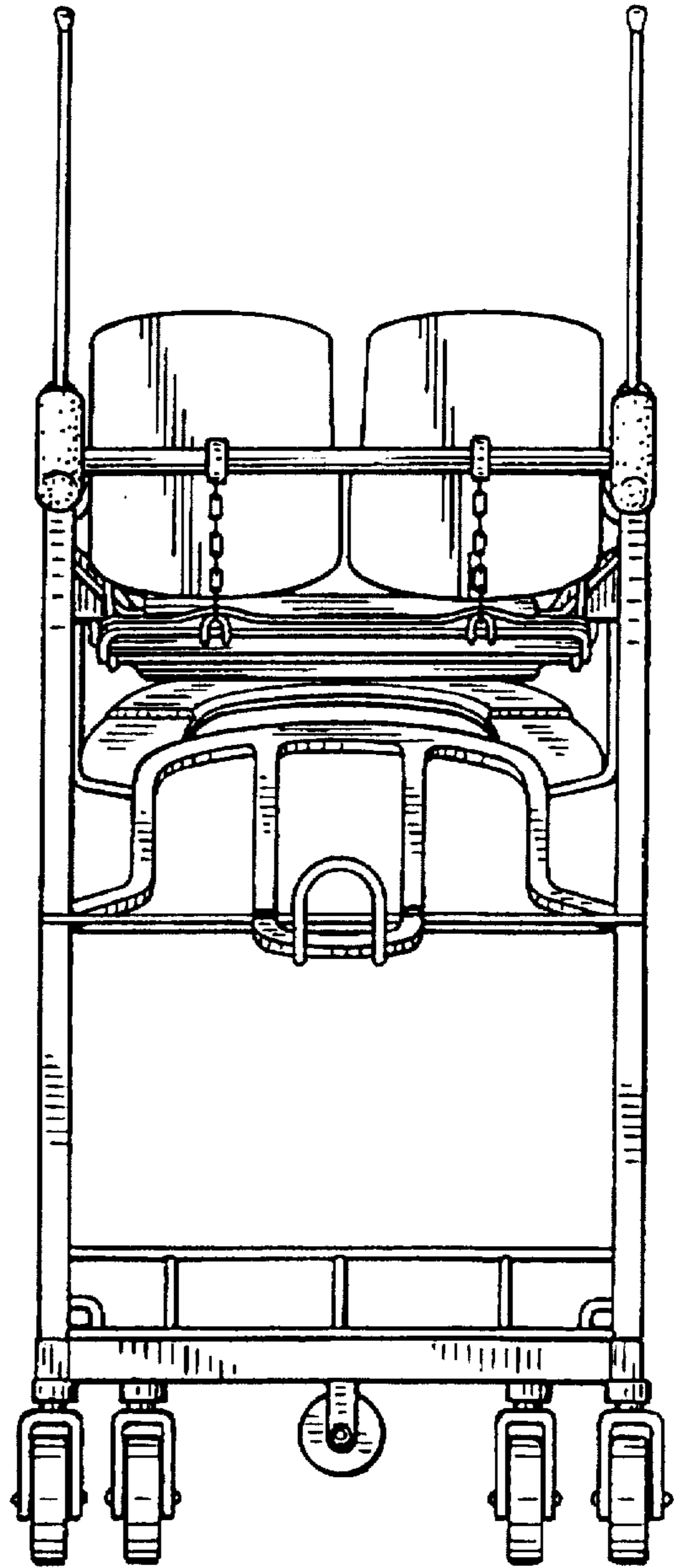
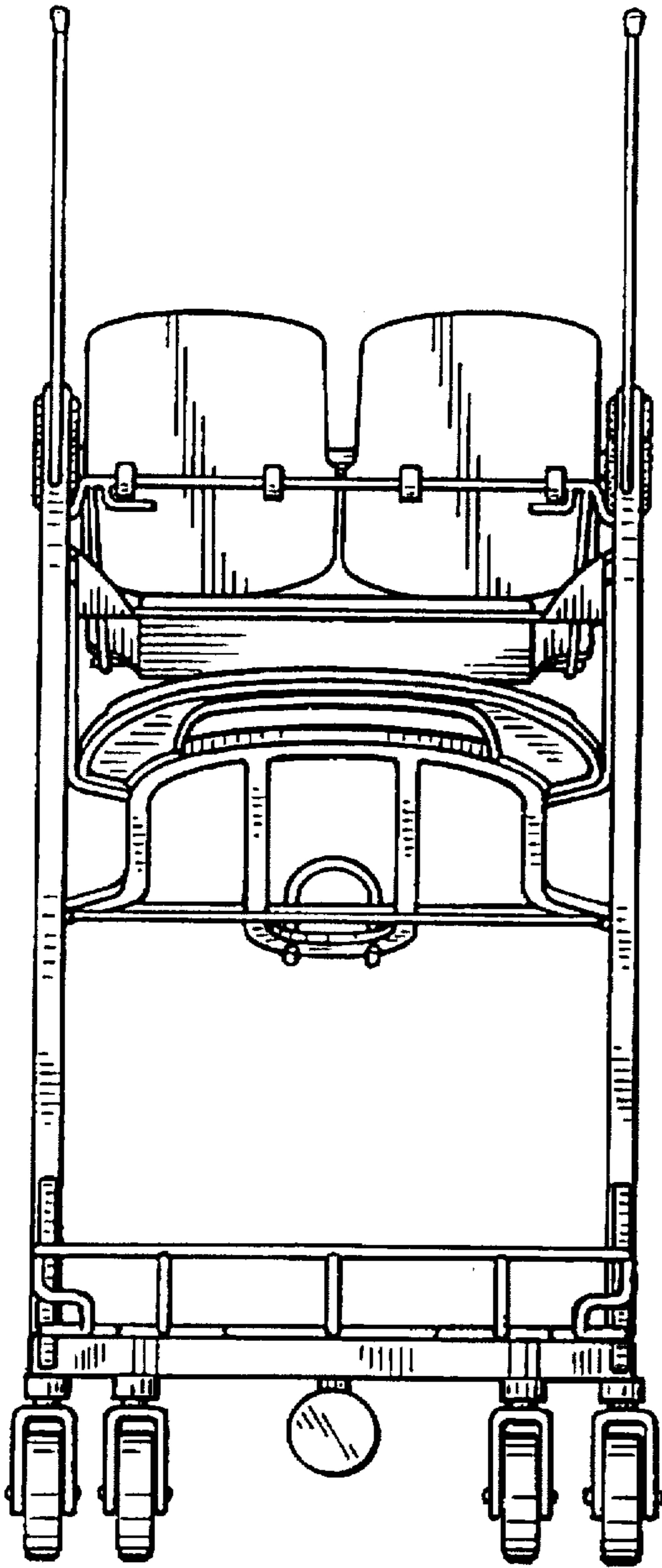


FIG. 5

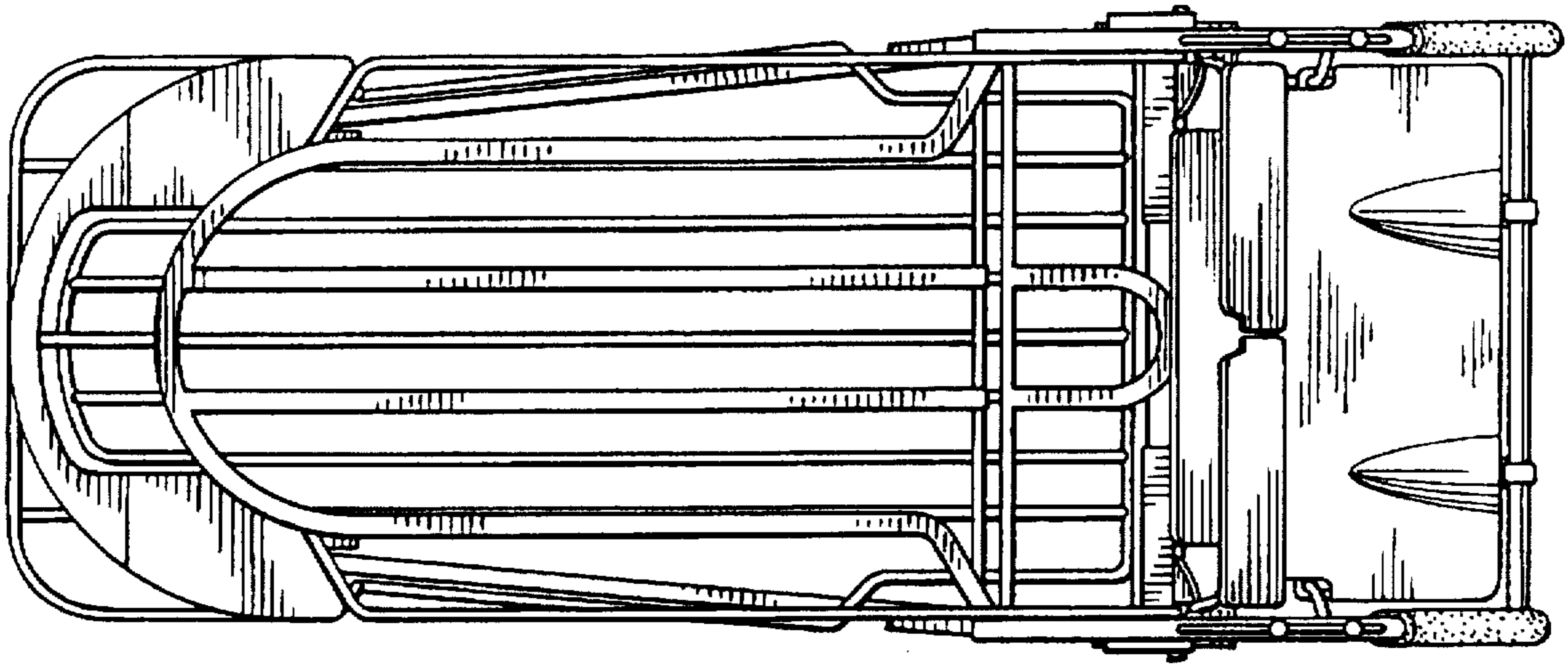


FIG. 6

