



US00D386872S

United States Patent [19]

Rick et al.

[11] Patent Number: **Des. 386,872**

[45] Date of Patent: ****Nov. 25, 1997**

[54] **FORKLIFT**

[75] Inventors: **Sean E. Rick**, Muscatine, Iowa; **Jay B. Stotts**, Houston, Tex.

[73] Assignee: **Mitsubishi Caterpillar Forklift America Inc.**, Houston, Tex.

[*] Notice: The portion of the term of this patent subsequent to Sep. 30, 2011, has been disclaimed.

[**] Term: **14 Years**

[21] Appl. No.: **39,647**

[22] Filed: **Jun. 1, 1995**

[51] LOC (6) Cl. **12-05**

[52] U.S. Cl. **D34/34**

[58] Field of Search **D34/28, 34, 37; 180/89.12, 89.13, 89.17; 187/222; 414/572, 592, 285**

[56]

References Cited

U.S. PATENT DOCUMENTS

D. 231,340	4/1974	Haynes	D34/34
D. 272,956	3/1984	Kirby et al.	D34/37
D. 327,356	6/1992	Laatsch	D34/34
D. 353,931	12/1994	Kobayakawa	D34/34

Primary Examiner—Brian N. Vinson
Assistant Examiner—Robin V. Taylor
Attorney, Agent, or Firm—Fish & Richardson P.C.

[57]

CLAIM

The ornamental design for a forklift, as shown and described.

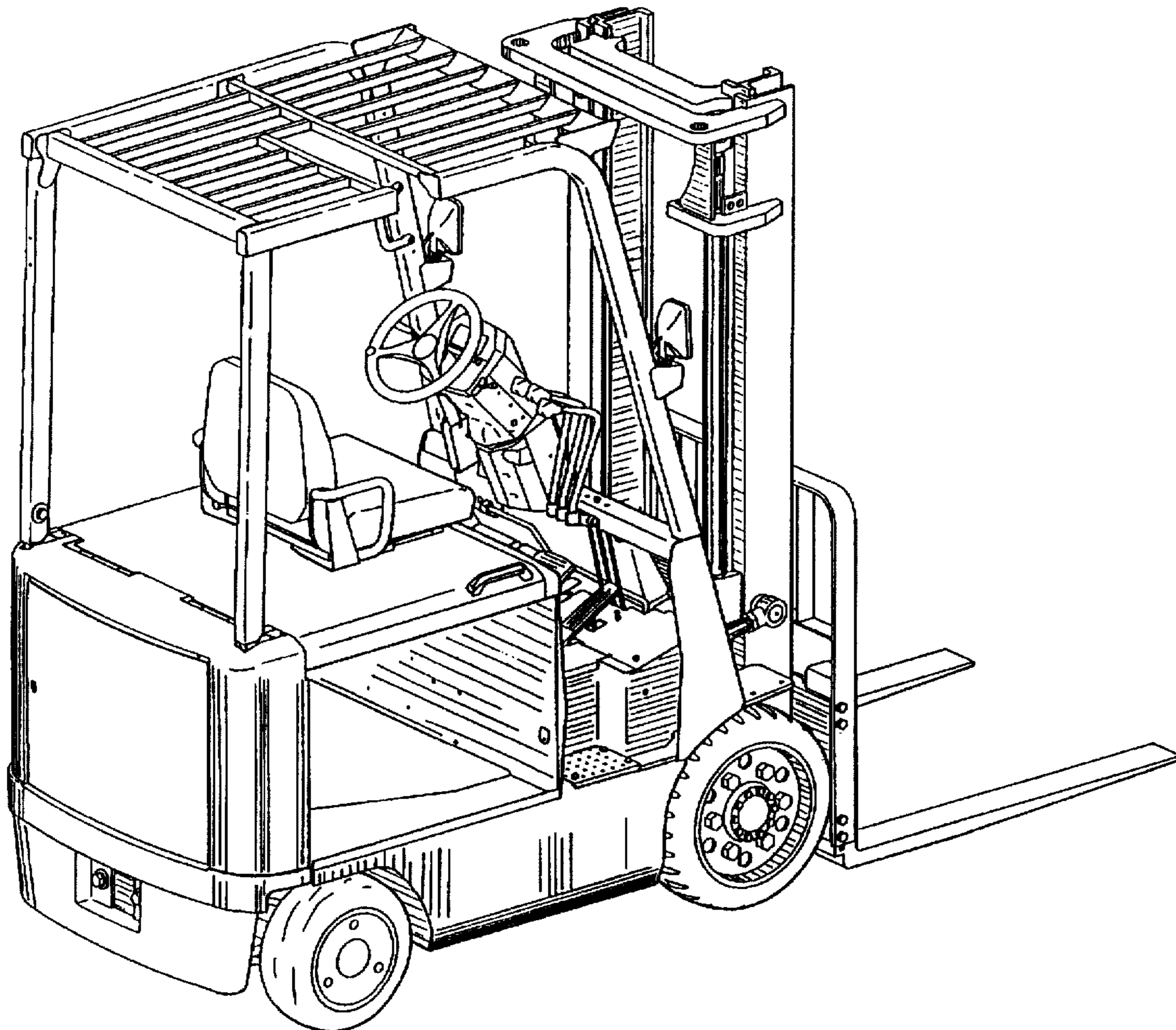
DESCRIPTION

FIG. 1 is a front perspective view of the design according to the invention;

FIG. 2 is a rear perspective view of the design according to the invention; and,

FIG. 3 is a top view of the design according to the invention.

1 Claim, 3 Drawing Sheets



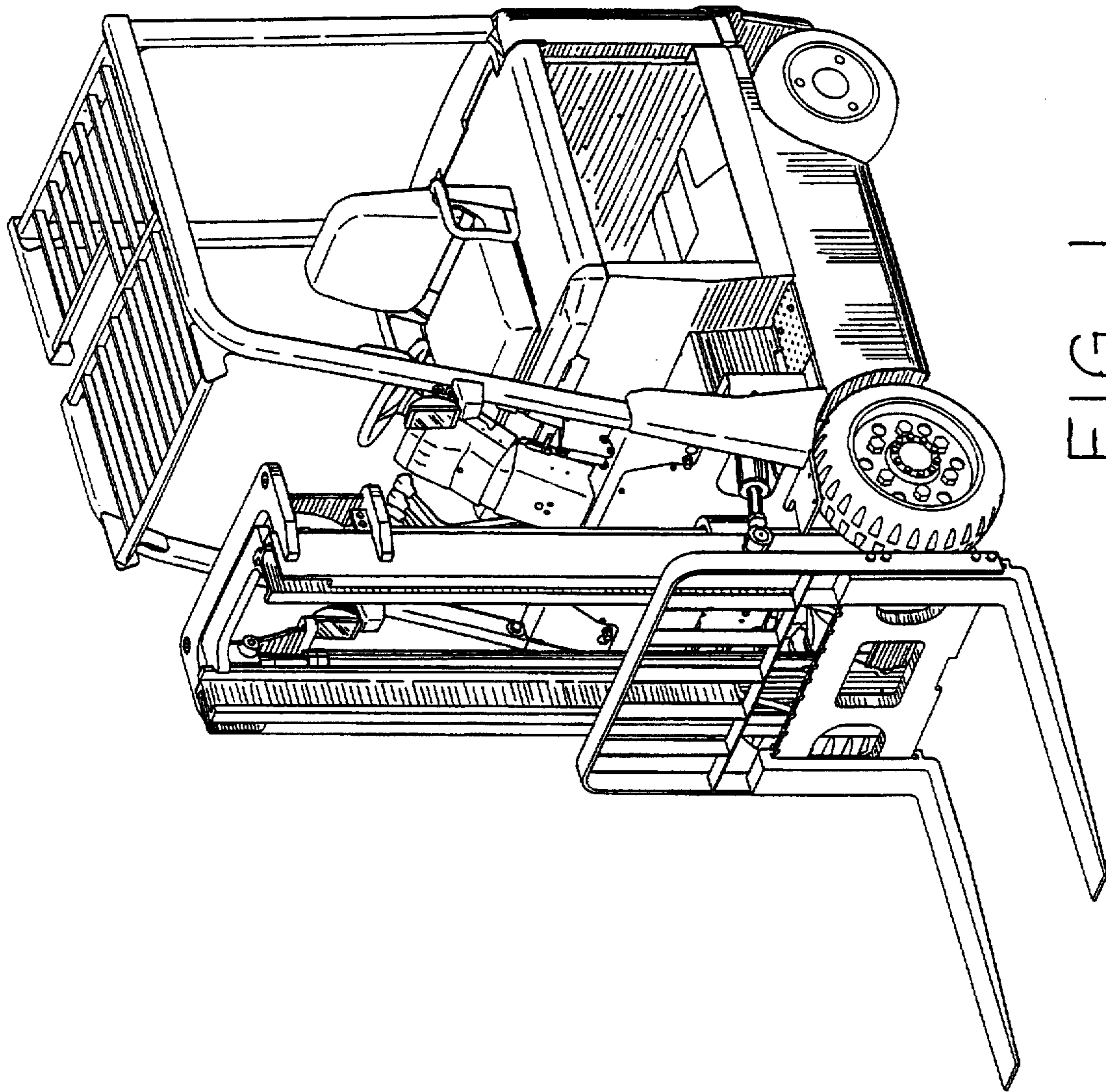


FIG. 1

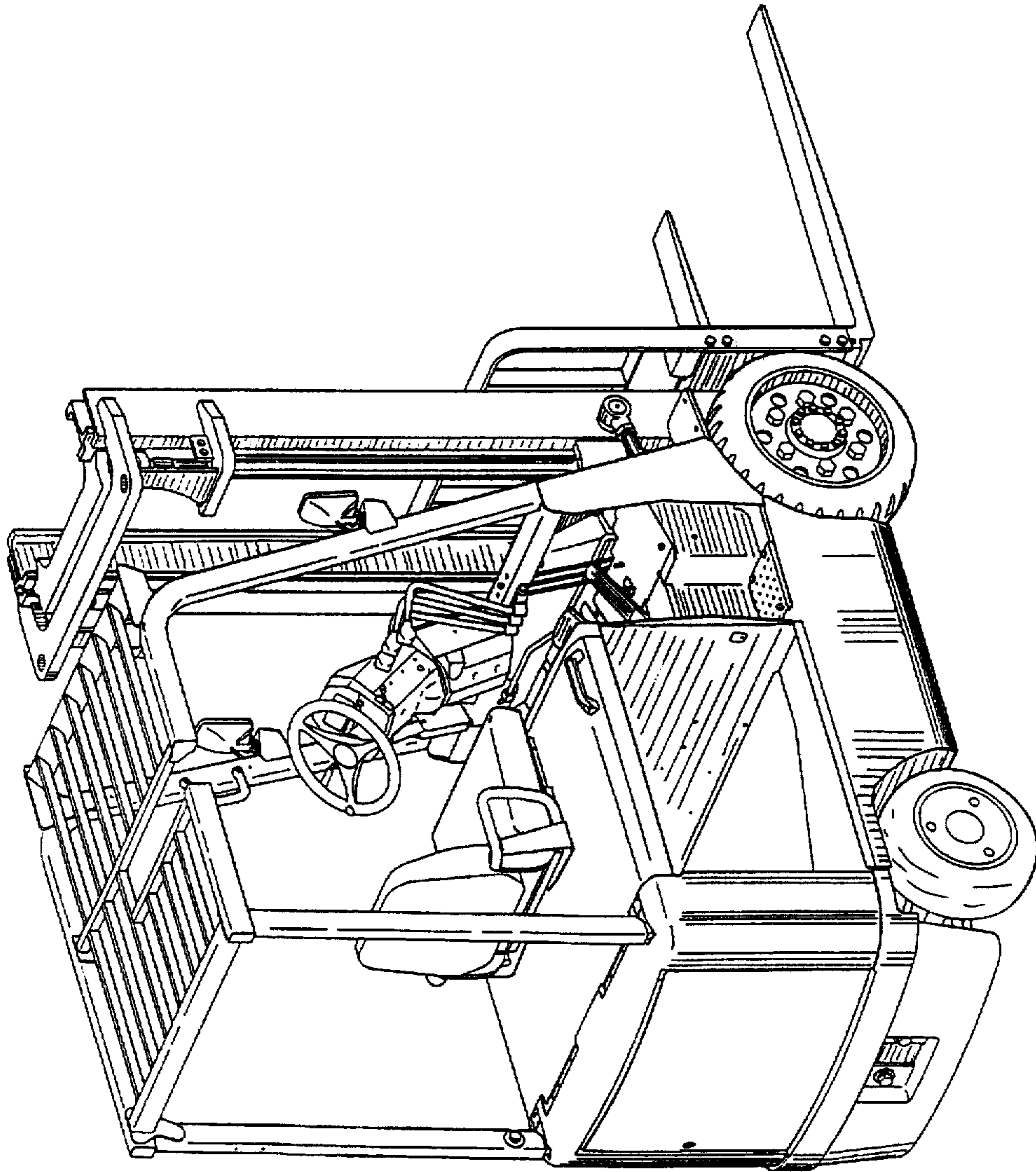


FIG. 2

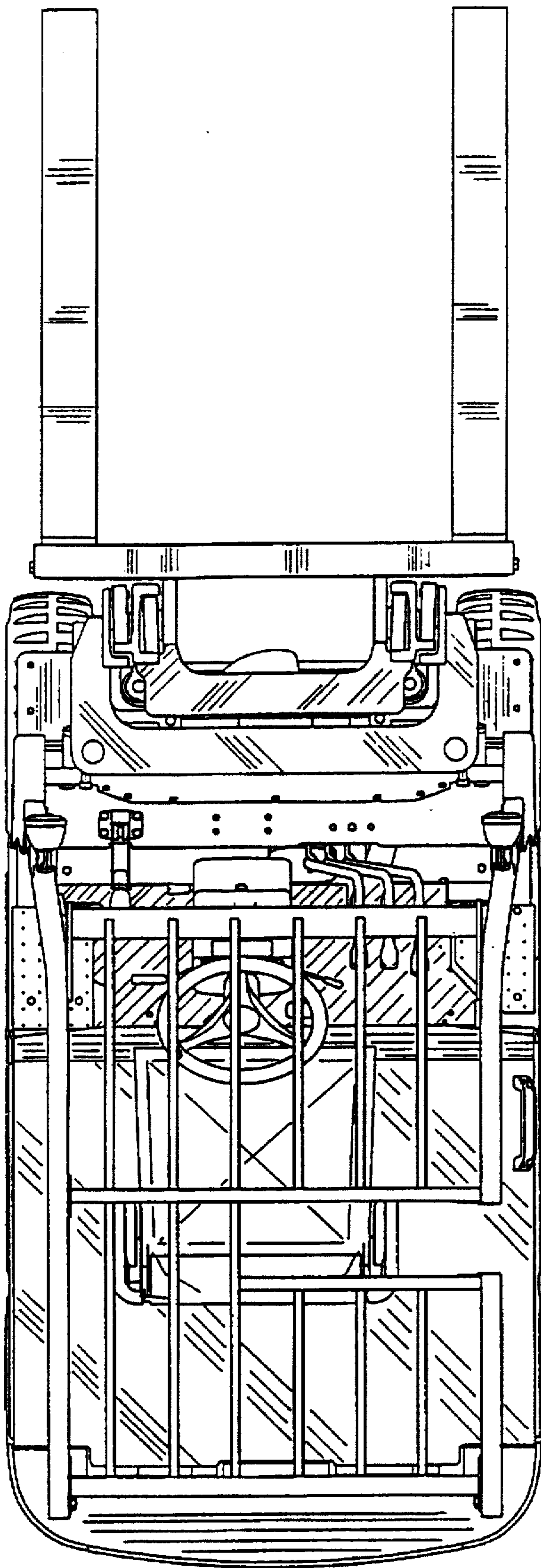


FIG. 3