



US00D386868S

# United States Patent [19] Catlett

[11] Patent Number: **Des. 386,868**

[45] Date of Patent: **\*\*Nov. 25, 1997**

[54] **MOBIL CART FOR CHAIN CUTTER**  
[75] Inventor: **Timothy J. Catlett, Maryville, Miss.**  
[73] Assignee: **Laclede Chain Manufacturing Co., St. Louis, Mo.**  
[\*\*] Term: **14 Years**

4,269,096 5/1981 Boone .  
4,315,633 2/1982 Boeddeker et al. .  
5,013,103 5/1991 Addison .  
5,542,635 8/1996 Smith et al. .... 248/129

*Primary Examiner—Kay H. Chin*  
*Attorney, Agent, or Firm—Kalish & Gilster*

[21] Appl. No.: **55,867**  
[22] Filed: **Jun. 14, 1996**

### [57] CLAIM

The ornamental design for a mobile cart for chain cutter, as shown and described.

[51] **LOC (6) Cl.** ..... **12-02**  
[52] **U.S. Cl.** ..... **D34/17; D34/12; D6/484**  
[58] **Field of Search** ..... **D34/12, 27, 17; D6/396, 449, 462-468, 475, 476, 484, 487, 480; 248/129; 211/13, 181, 88, 55; 280/79.3, 47.35; 312/250, 280**

### DESCRIPTION

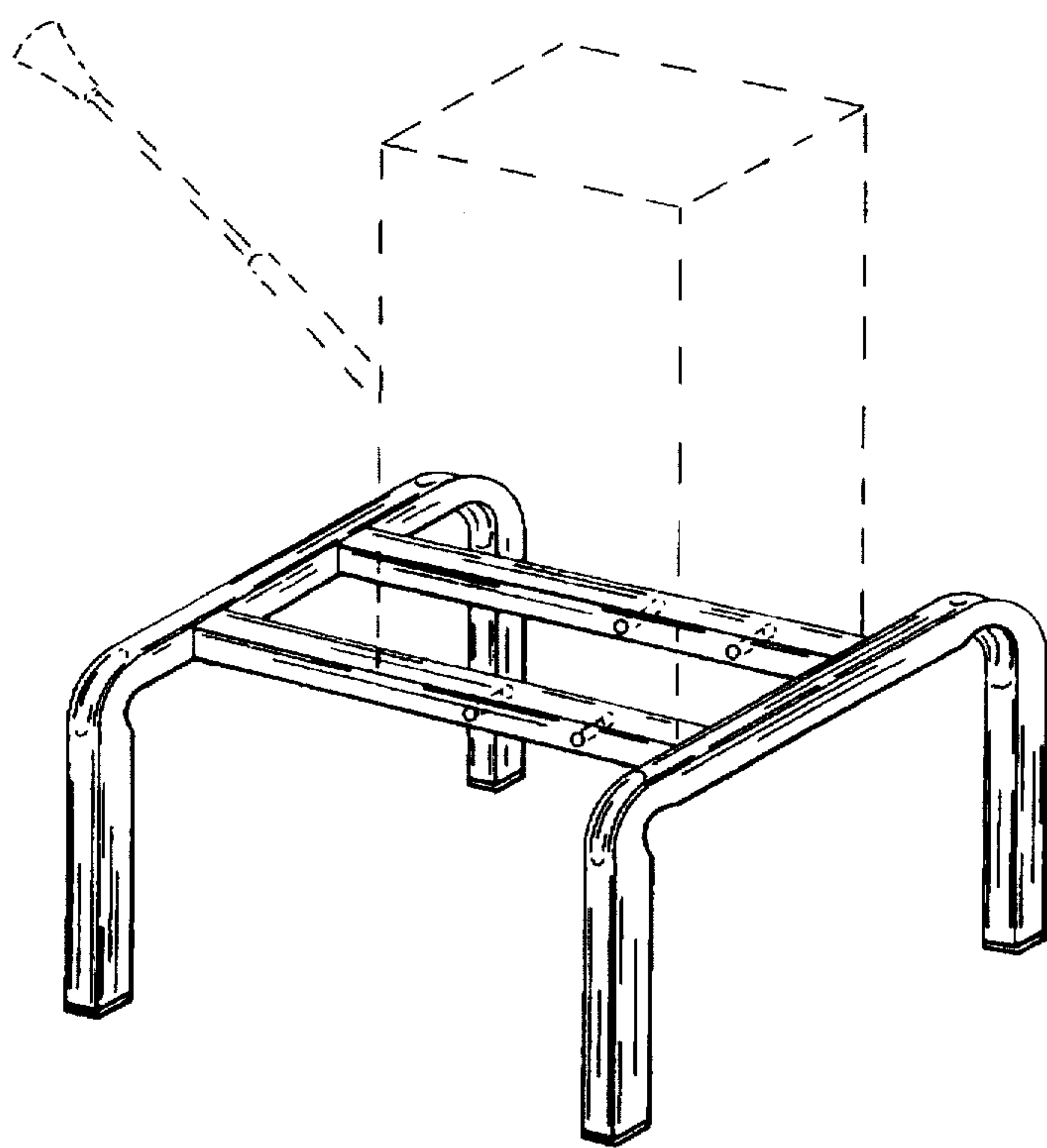
FIG. 1 is a perspective view of a mobile cart for chain cutter showing my new design;  
FIG. 2 is a side elevational view thereof;  
FIG. 3 is an opposite side elevational view thereof;  
FIG. 4 is an end elevational view thereof;  
FIG. 5 is an opposite end elevational view thereof;  
FIG. 6 is a top plan view thereof;  
FIG. 7 is a bottom plan view thereof;  
FIG. 8 is a perspective view of a second embodiment of the design shown in FIG. 1;  
FIG. 9 is a side elevational view thereof;  
FIG. 10 is an opposite side elevational view thereof;  
FIG. 11 is an end elevational view thereof;  
FIG. 12 is an opposite end elevational view thereof;  
FIG. 13 is a top plan view thereof; and,  
FIG. 14 is a bottom plan view thereof.  
Throughout the Figures, the lines drawn in phantom form no part of the claimed design.

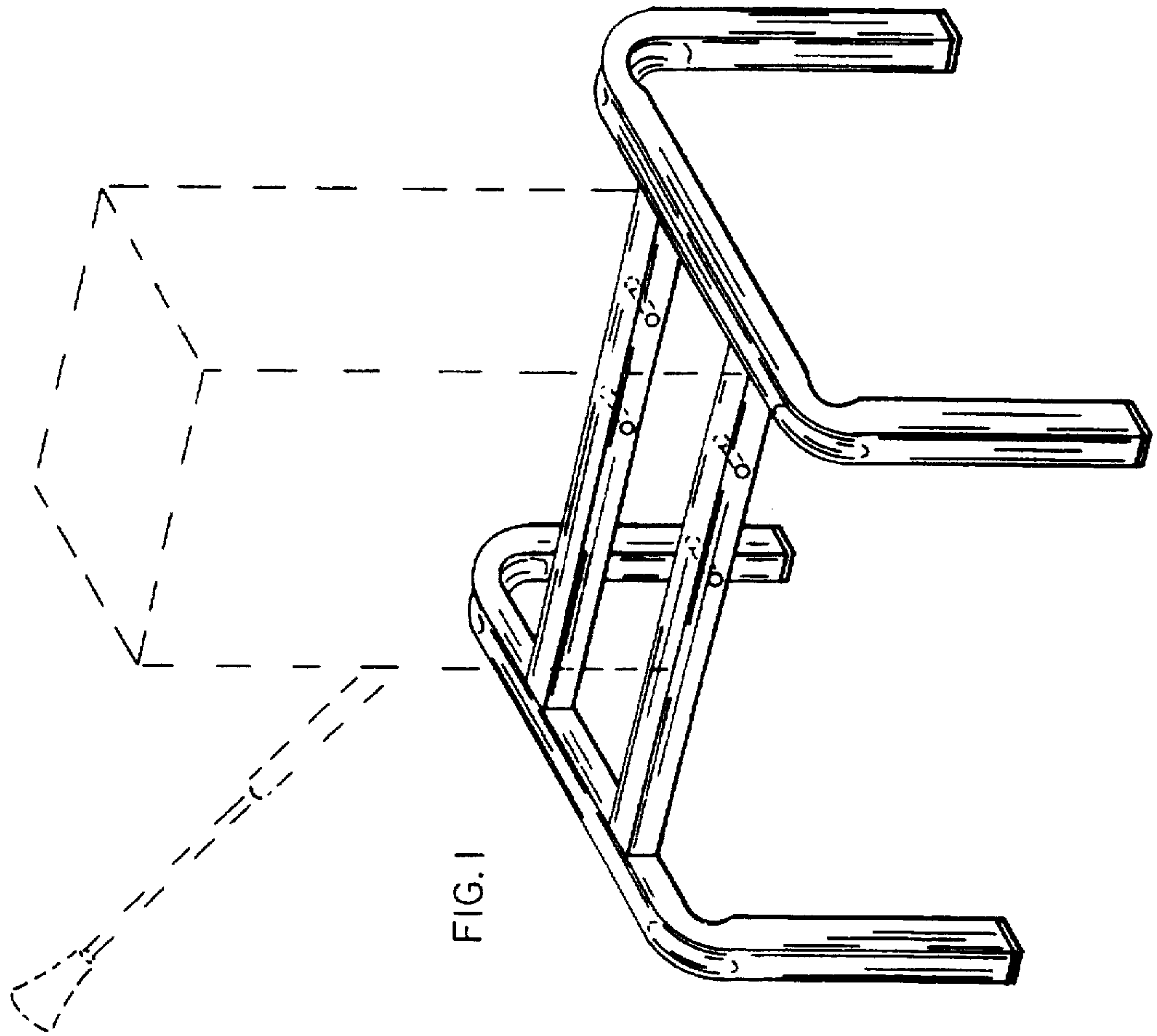
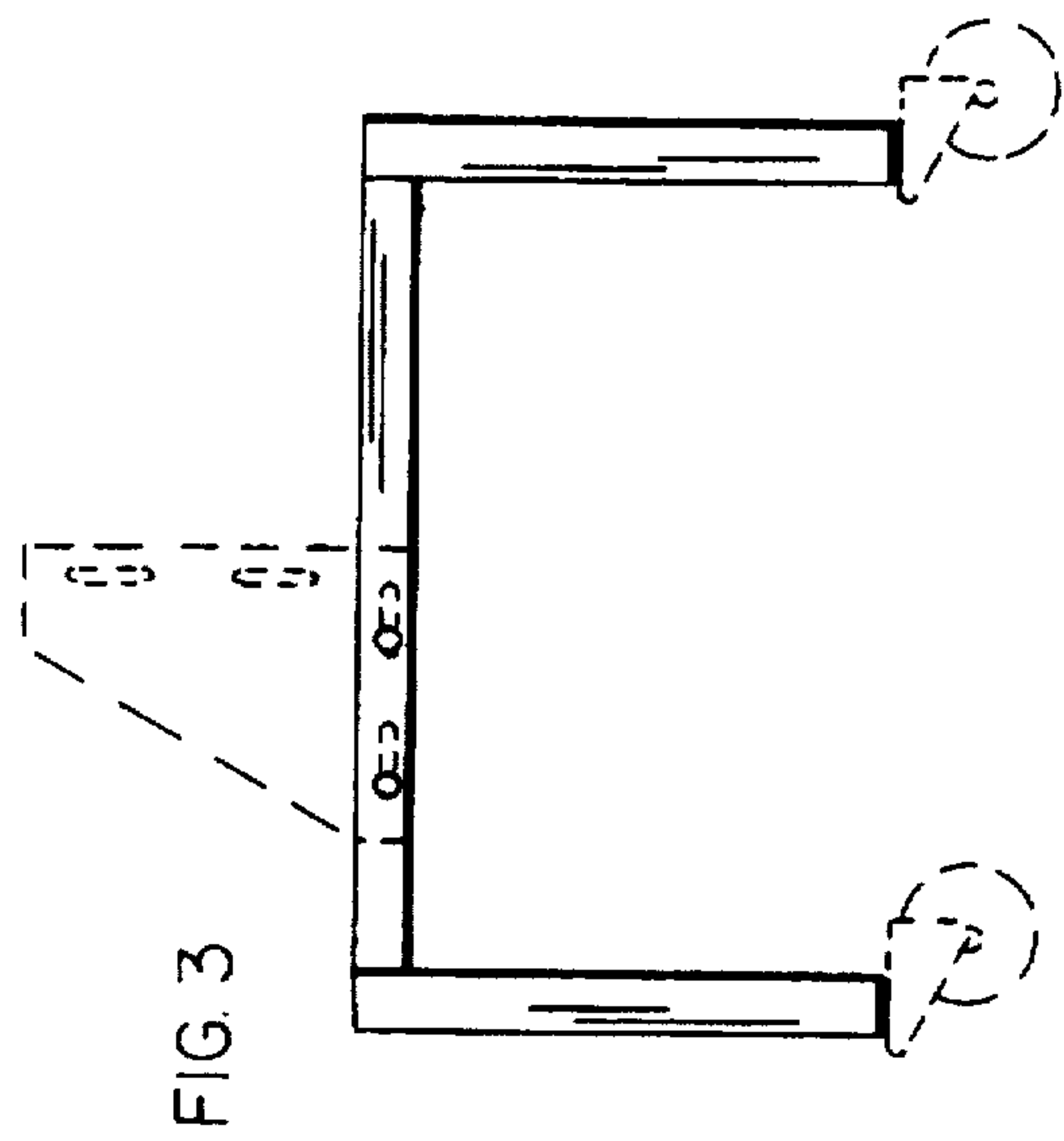
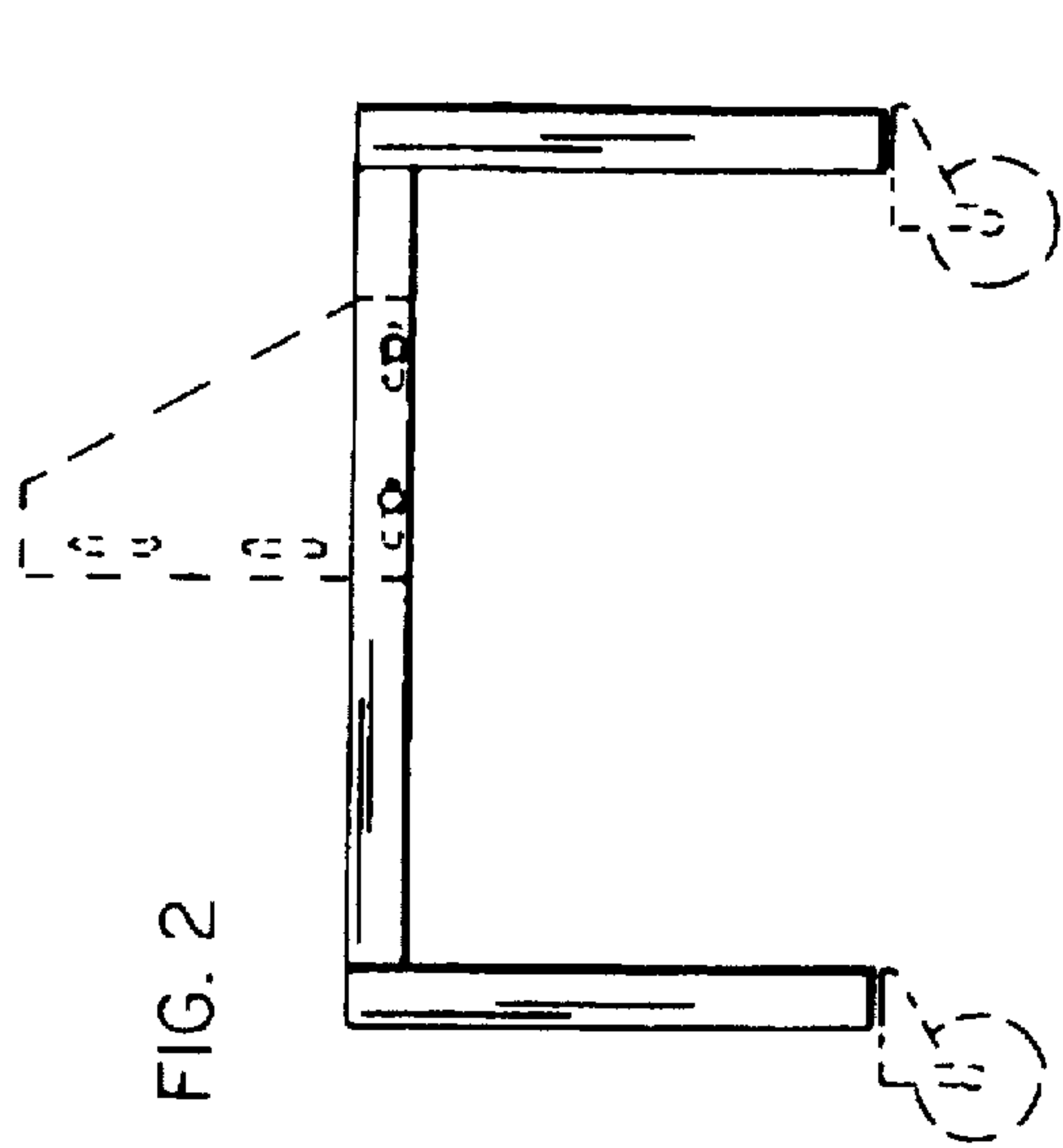
### [56] References Cited

#### U.S. PATENT DOCUMENTS

D. 135,832 4/1943 Hagstrom .  
D. 186,161 9/1959 Chervenka .  
D. 186,213 9/1959 Larson .  
D. 217,057 3/1970 Hull .  
D. 224,636 8/1972 Ball ..... D6/484  
D. 225,840 1/1973 Ball ..... D34/17  
D. 230,968 3/1974 Anderson et al. .  
D. 237,898 12/1975 Austin et al. .  
272,227 2/1883 Foreman .  
D. 365,429 12/1995 Ninstil .  
1,325,157 12/1919 Kelley et al. .  
2,541,664 2/1951 Pollack et al. .... 312/280

**1 Claim, 4 Drawing Sheets**





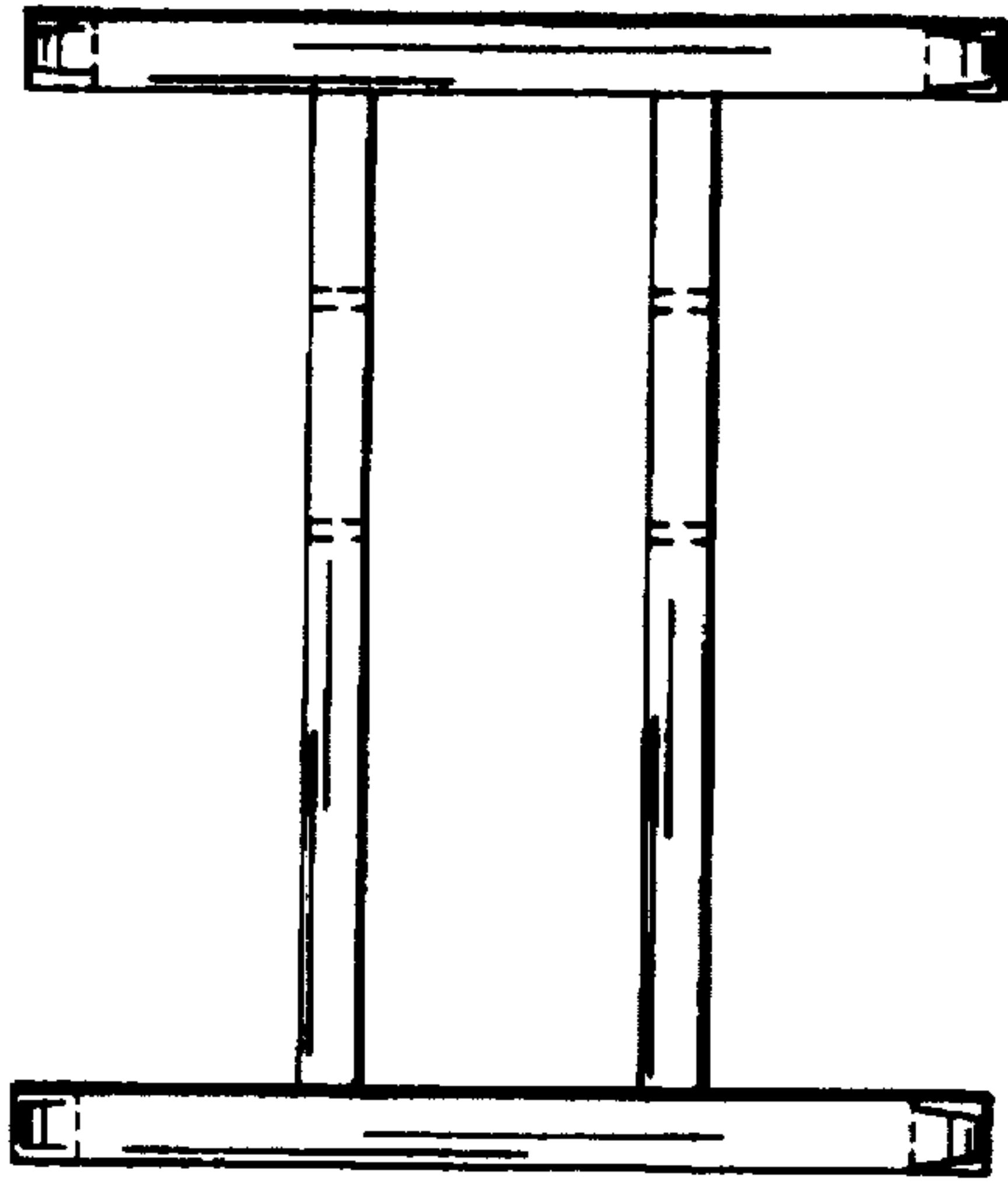


FIG. 6

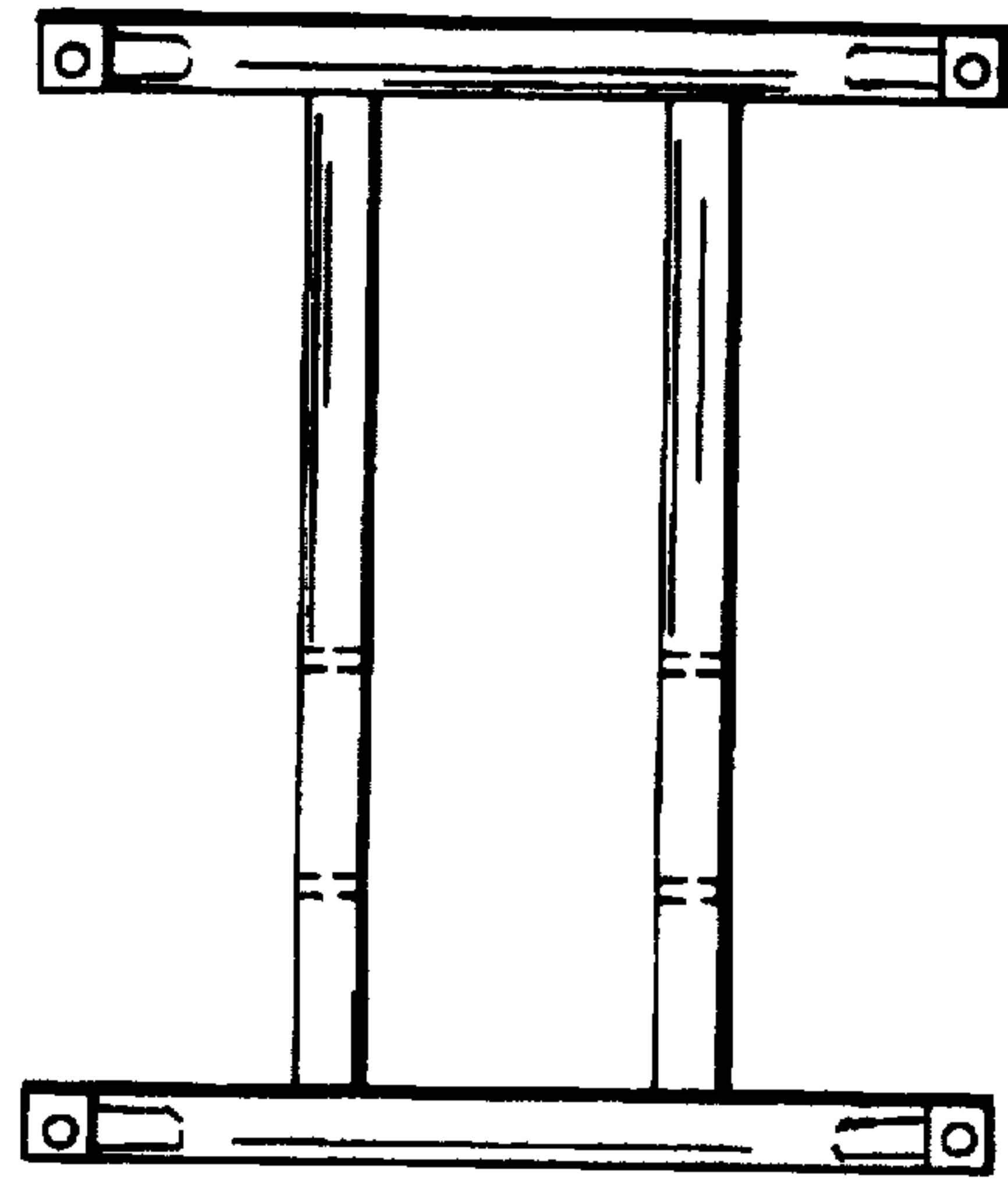


FIG. 7

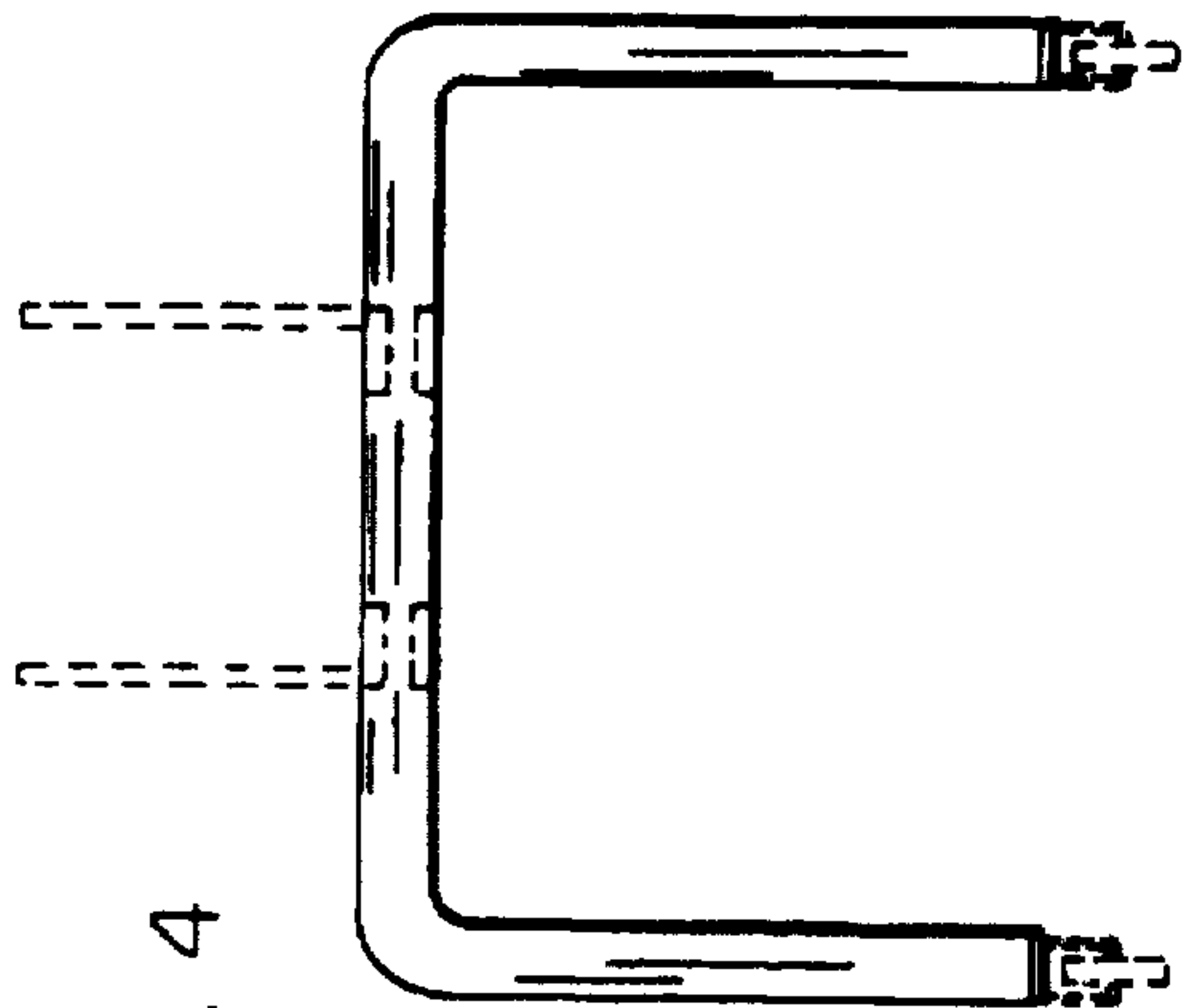


FIG. 4

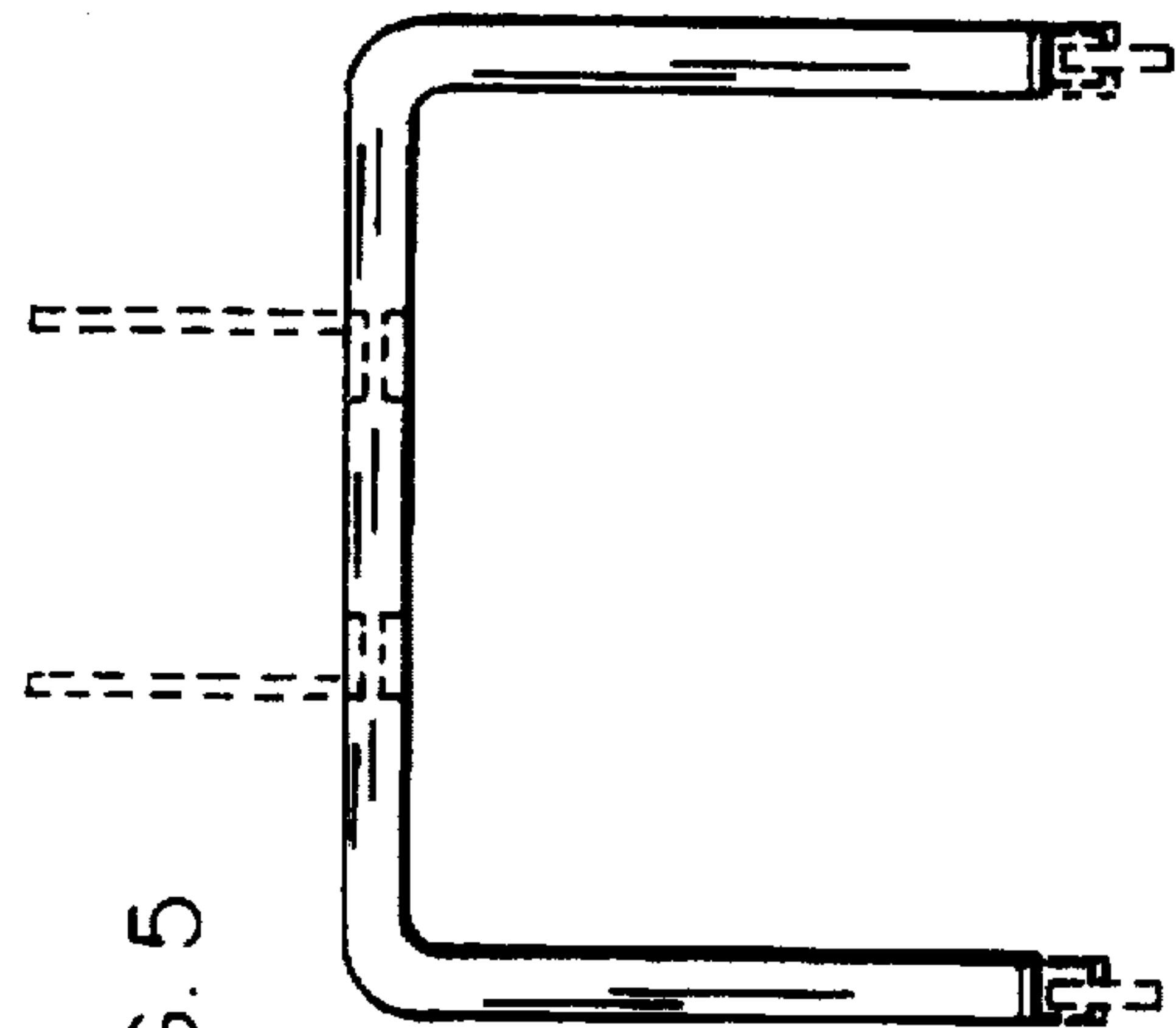
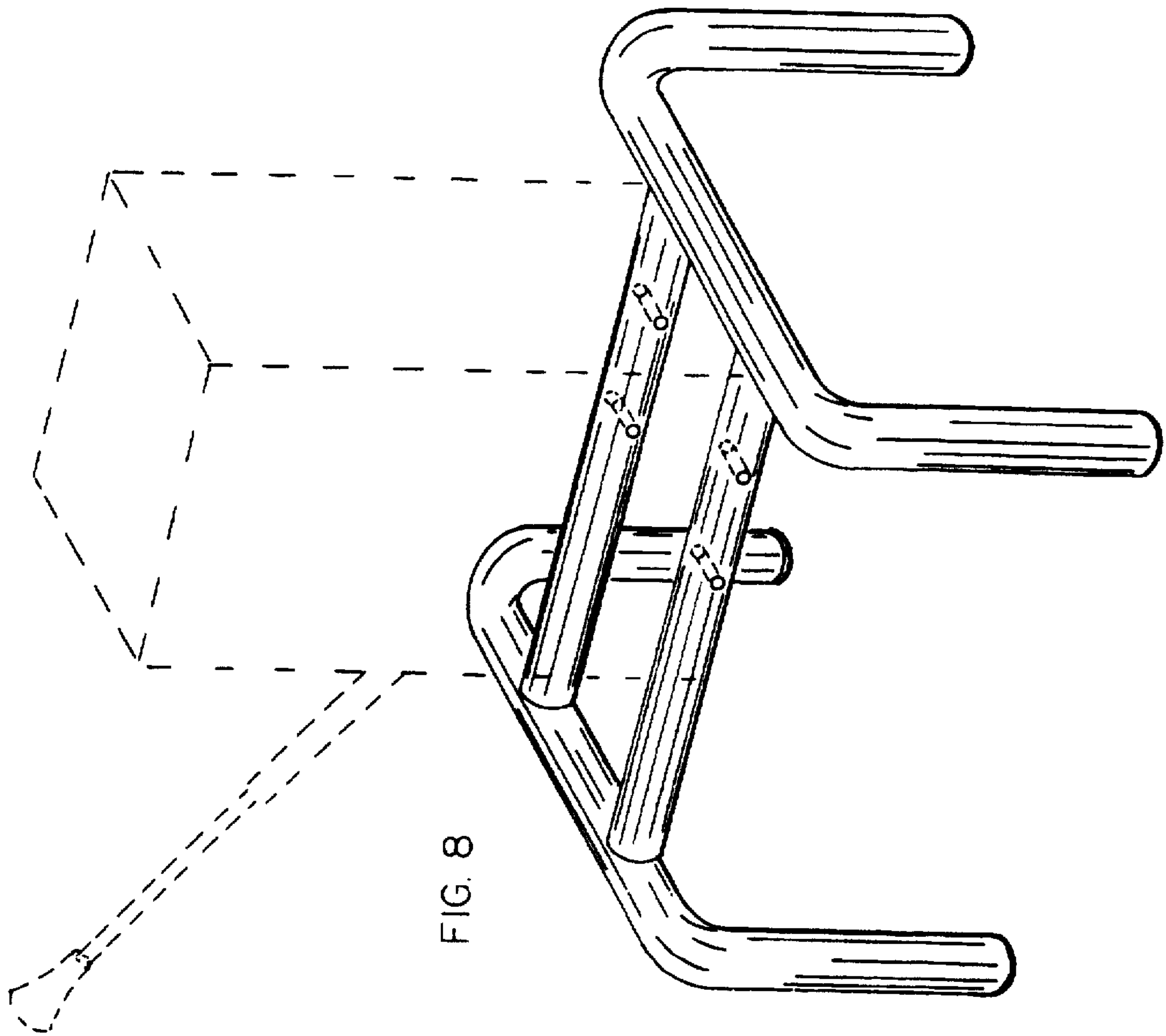
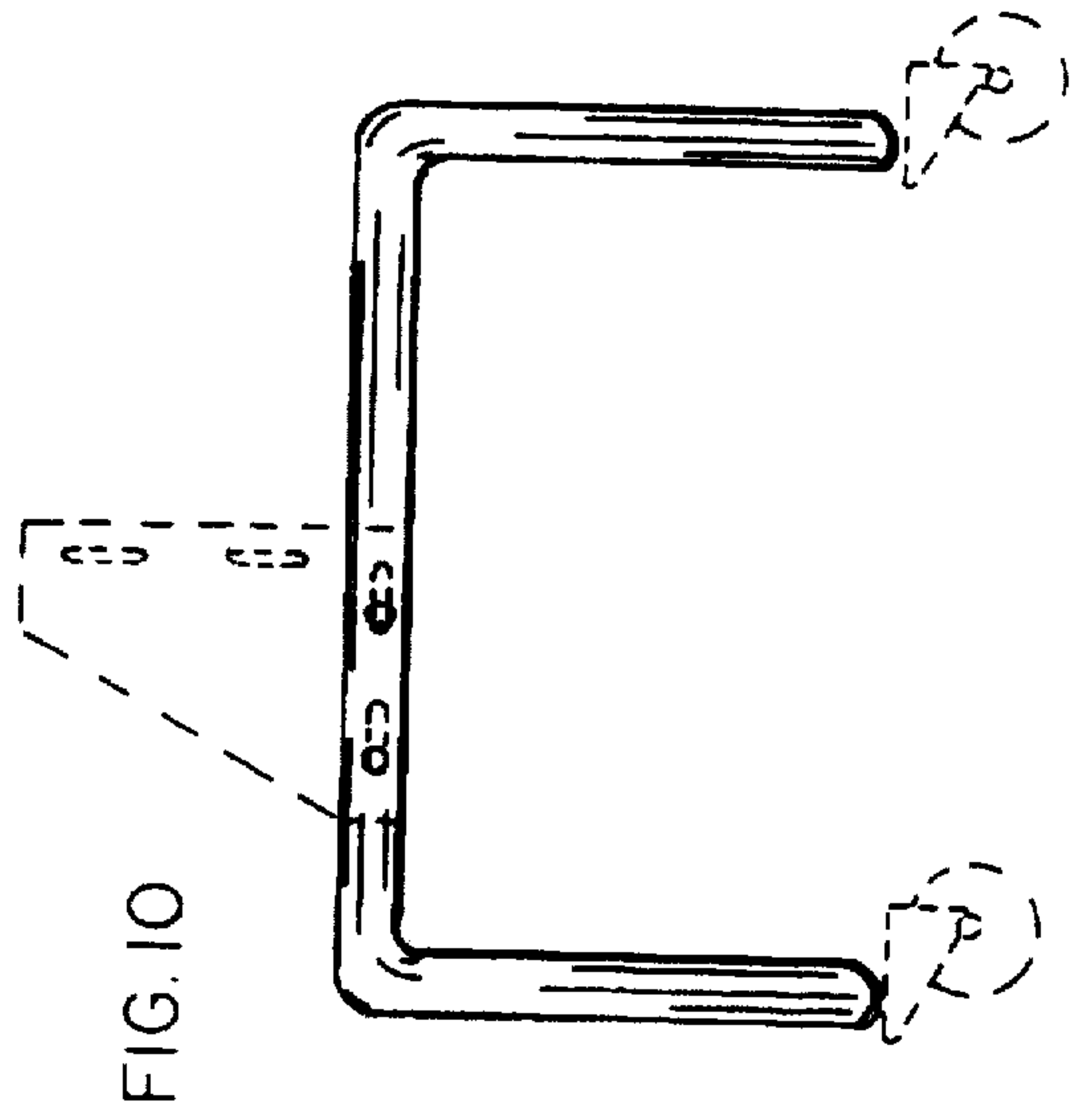
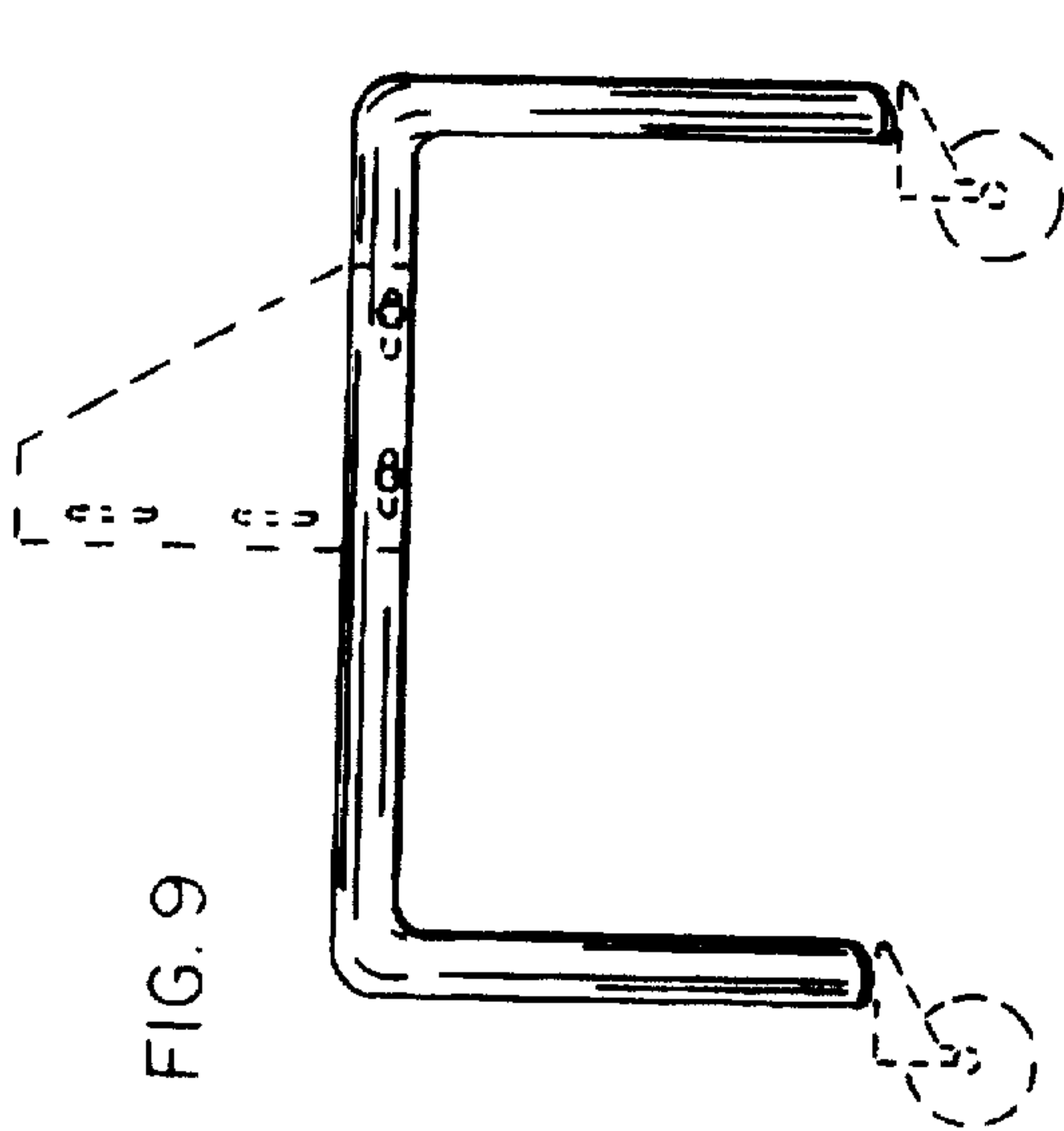


FIG. 5



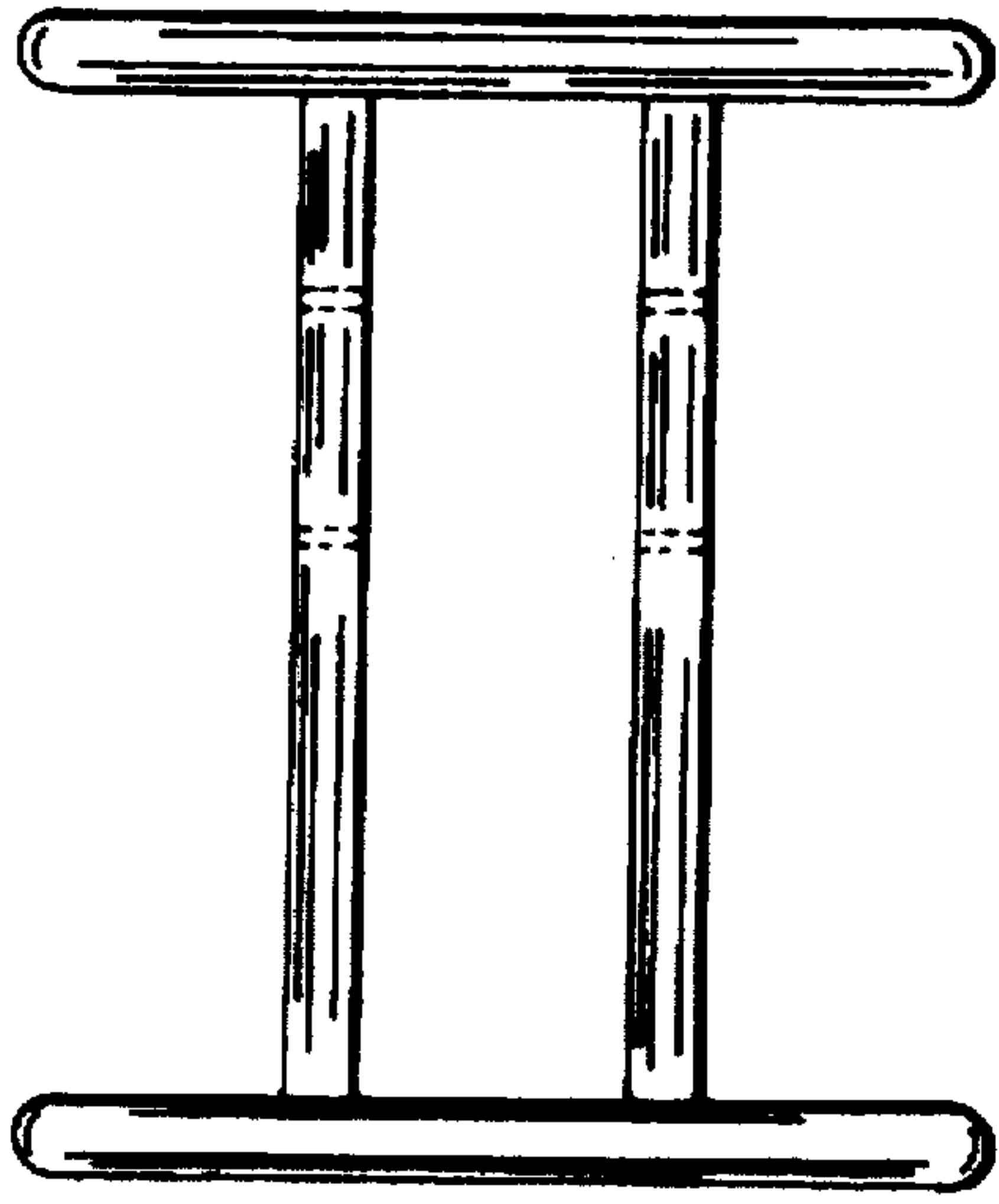


FIG. 13

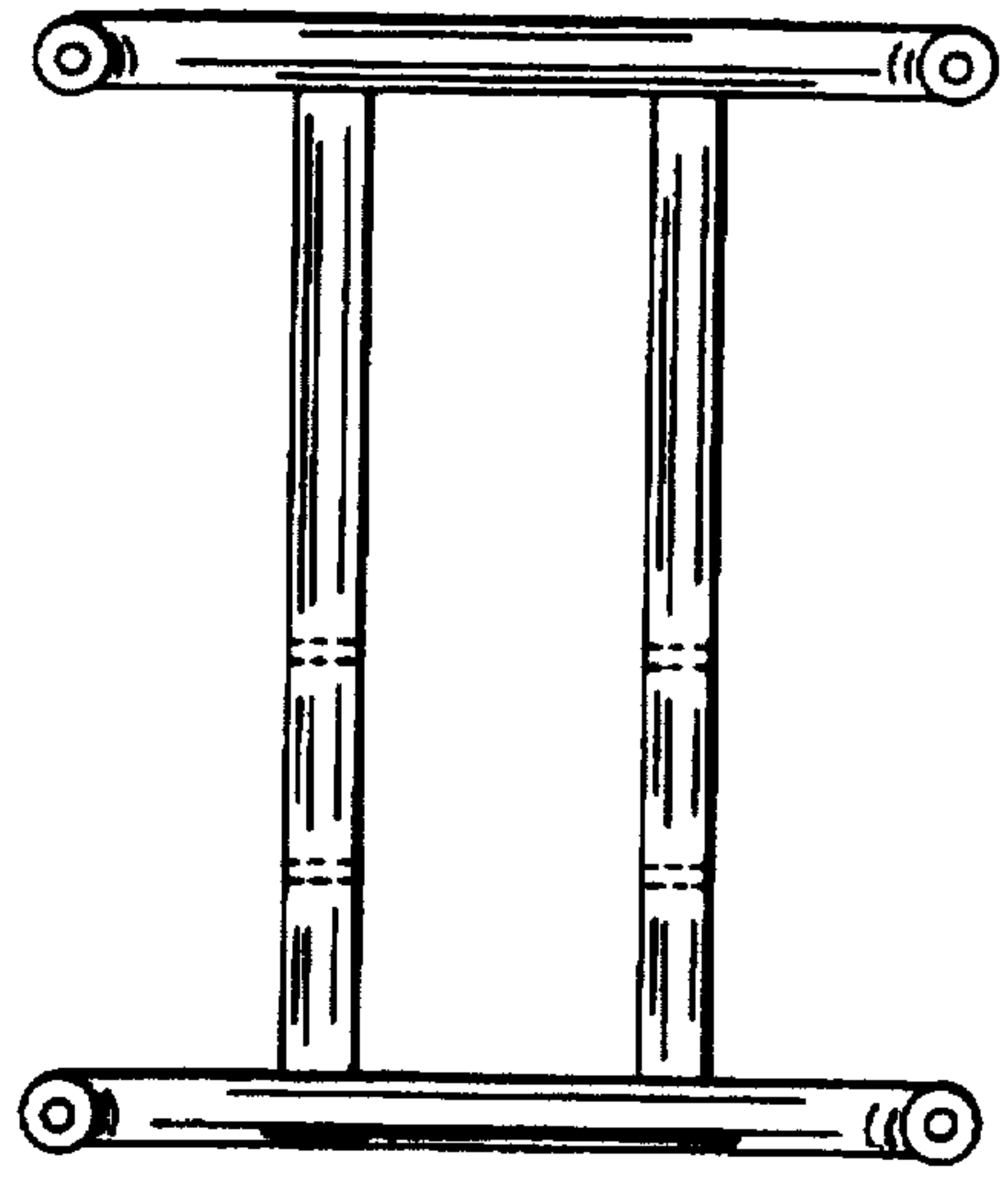


FIG. 14

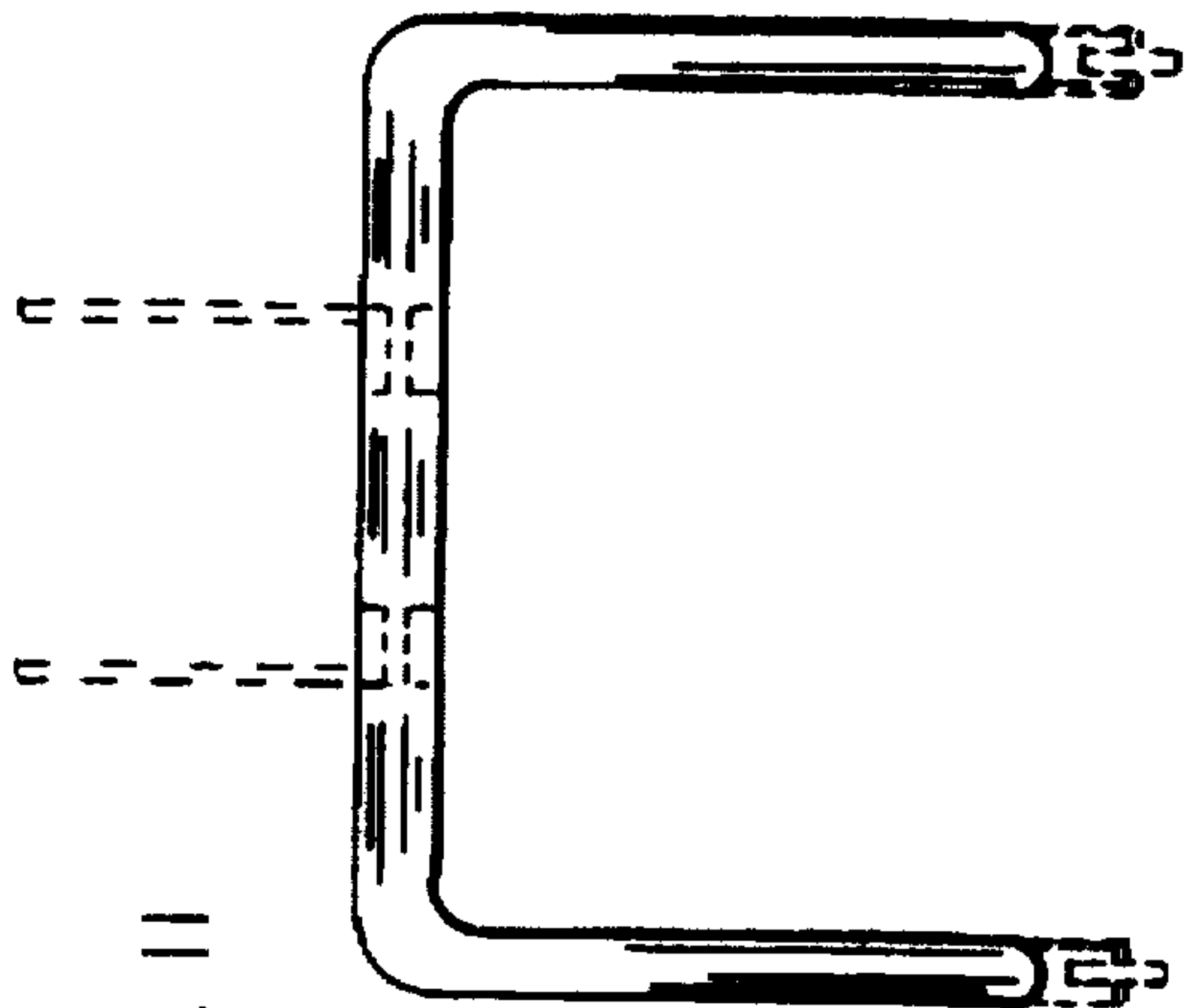


FIG. 11

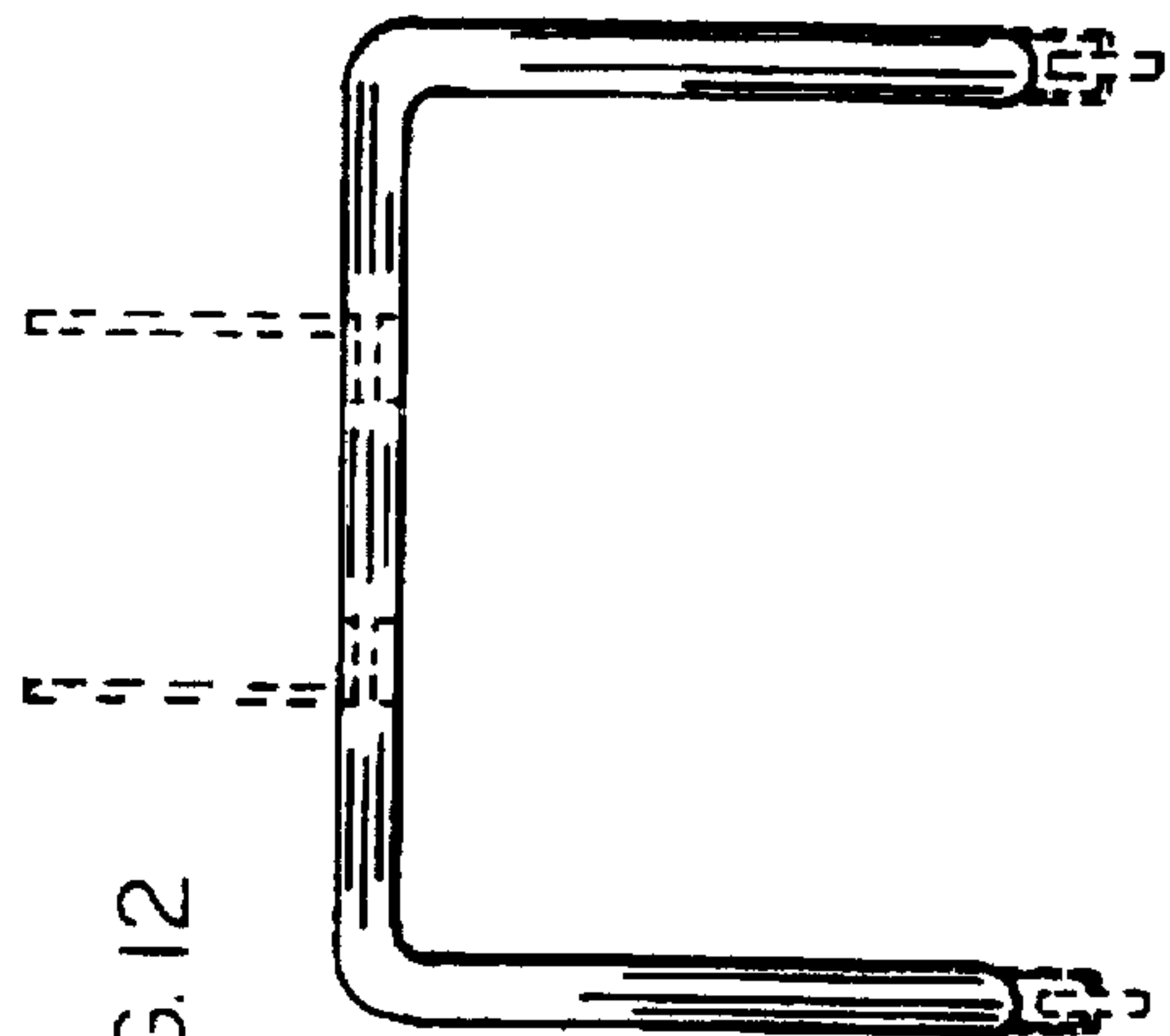


FIG. 12