



US00D386864S

United States Patent [19]

Ratliff et al.

[11] Patent Number: Des. 386,864

[45] Date of Patent: **Nov. 25, 1997

[54] IRON HOLDER

[76] Inventors: Sharon L. Ratliff, 7425 Walnut Ave., Fair Oaks, Calif. 95628; James W. Johnson, 616 Vernon Oaks Dr., Roseville, Calif. 95678

[**] Term: 14 Years

[21] Appl. No.: 61,365

[22] Filed: Oct. 11, 1996

[51] LOC (6) Cl. 07-05

[52] U.S. Cl. D32/73

[58] Field of Search D32/66, 68, 71, D32/73; 38/75, 103, 104, 142; 248/117.1, 117.2, 117.4, 107, 112, 117.5, 117.6, 117.7

[56] **References Cited**

U.S. PATENT DOCUMENTS

D. 211,124	5/1968	Echols	D32/73
D. 211,603	7/1968	Wilson et al.	D32/73
2,514,400	7/1950	Larkins	D32/73 X
2,528,846	11/1950	Sitnick et al.	D32/73 X

3,136,516	6/1964	Wentz	.
3,176,947	4/1965	Inverso	.
3,477,672	11/1969	Agrusa	.
3,951,369	4/1976	Koksac 38/142 X
3,967,802	7/1976	Lomagno 248/117.4

Primary Examiner—Susan J. Lucas
Assistant Examiner—Cynthia E. Ramirez
Attorney, Agent, or Firm—Lothrop & West

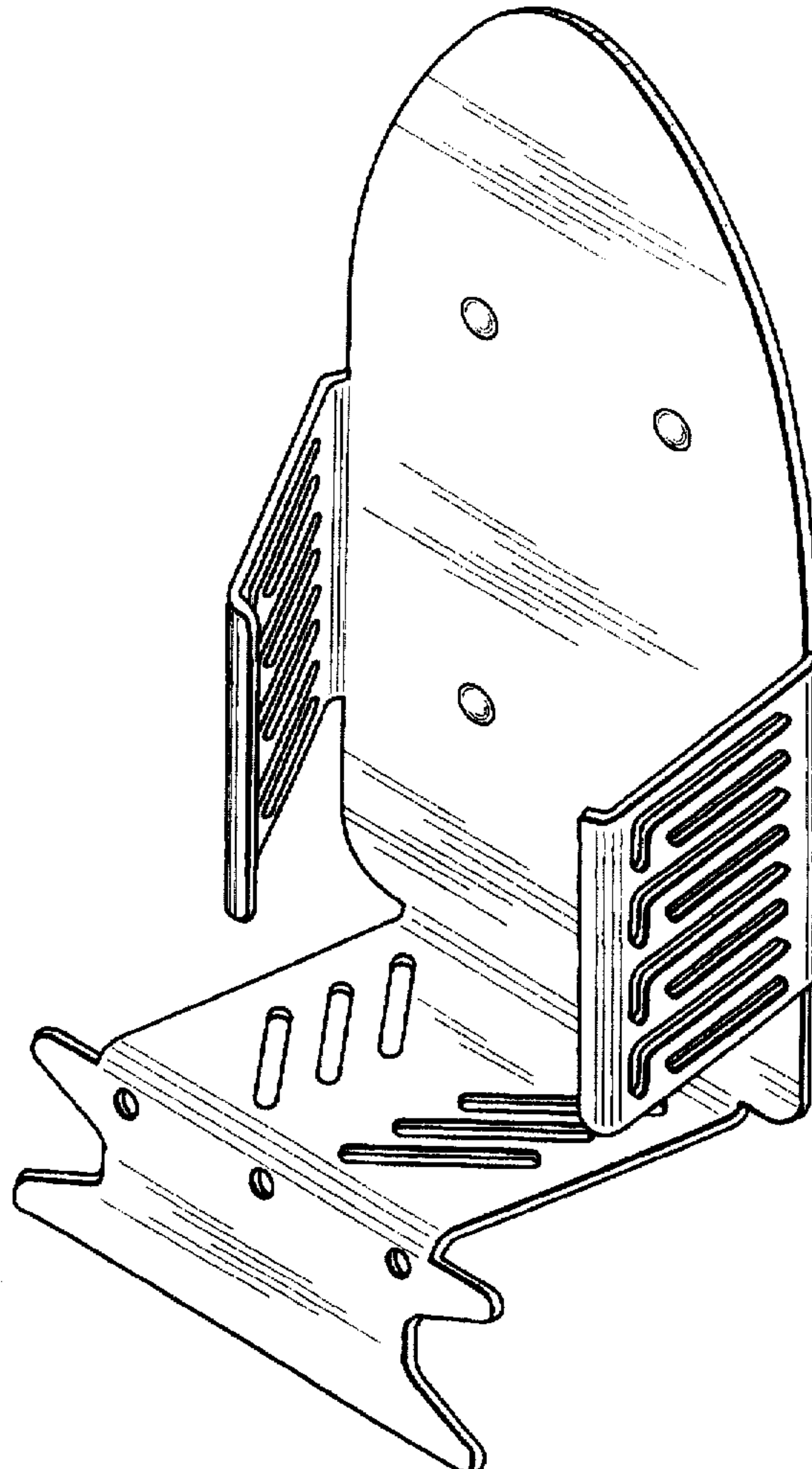
[57] **CLAIM**

The ornamental design for a iron holder, as shown and described.

DESCRIPTION

FIG. 1 is a front perspective view of an iron holder, showing our new design;
FIG. 2 is a front elevational view thereof;
FIG. 3 is an elevational view of one side thereof, the opposite side being a mirror image;
FIG. 4 is a rear elevational view thereof;
FIG. 5 is a top plan view thereof; and,
FIG. 6 is a bottom plan view thereof.

1 Claim, 2 Drawing Sheets



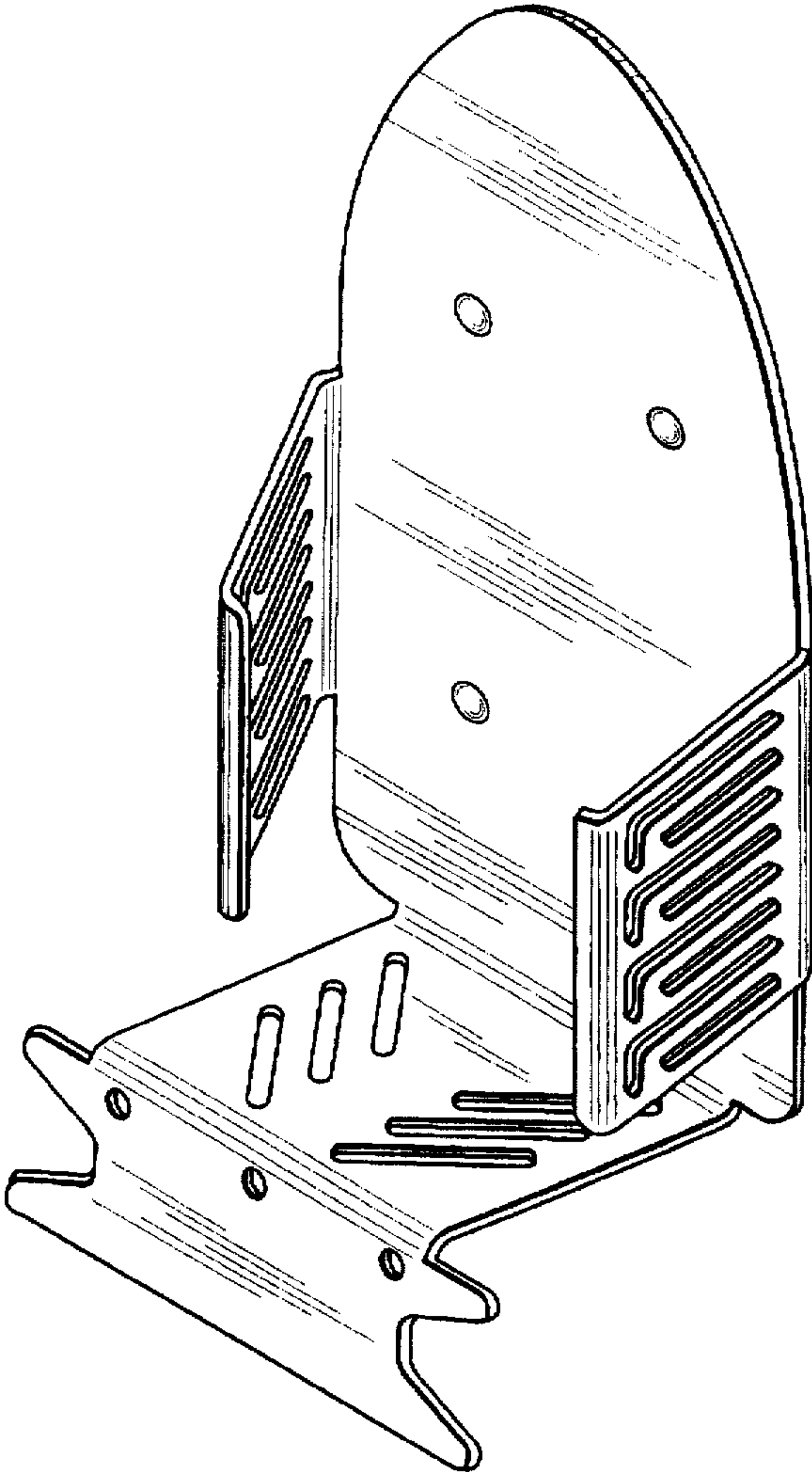


Fig. 1

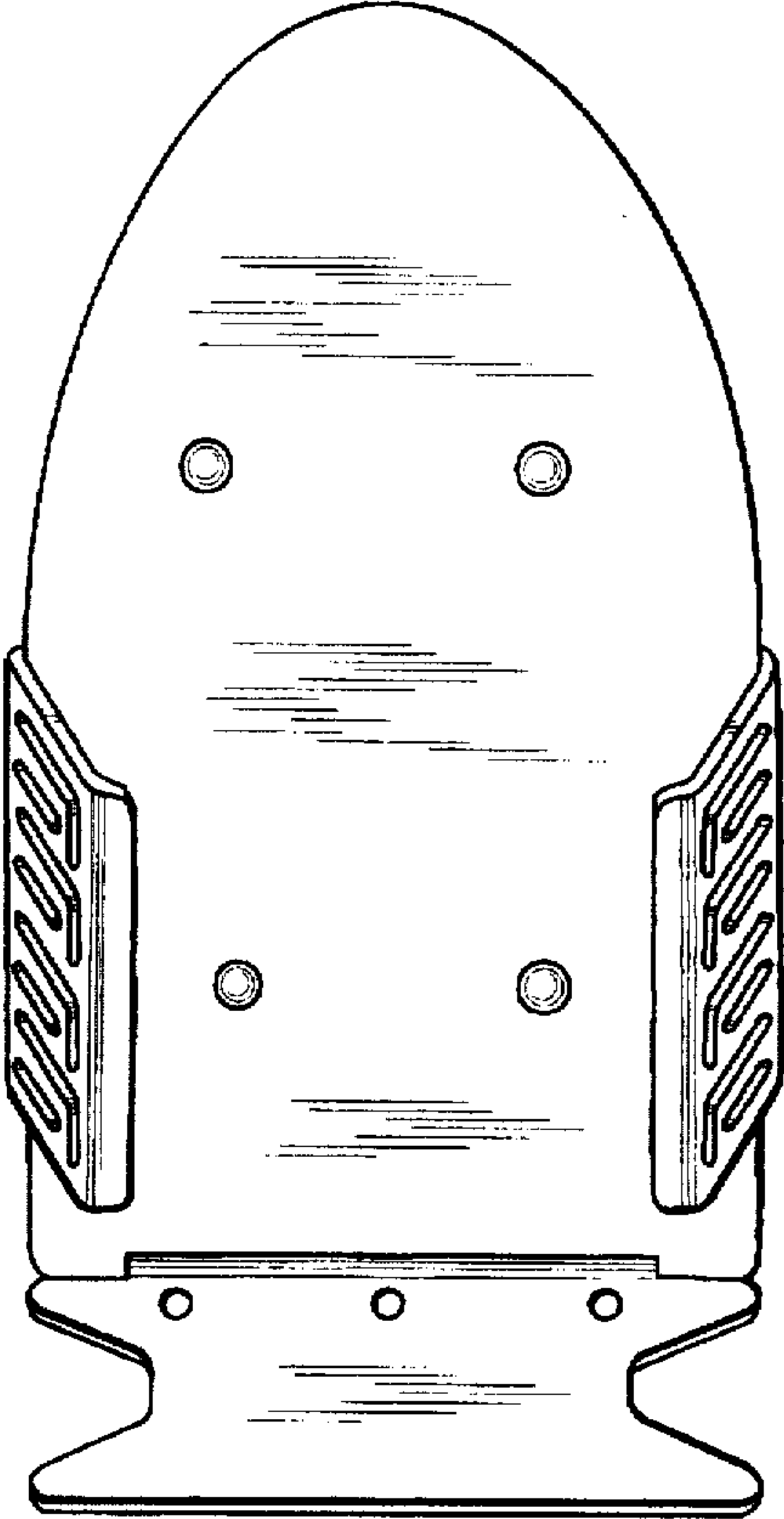


Fig. 2

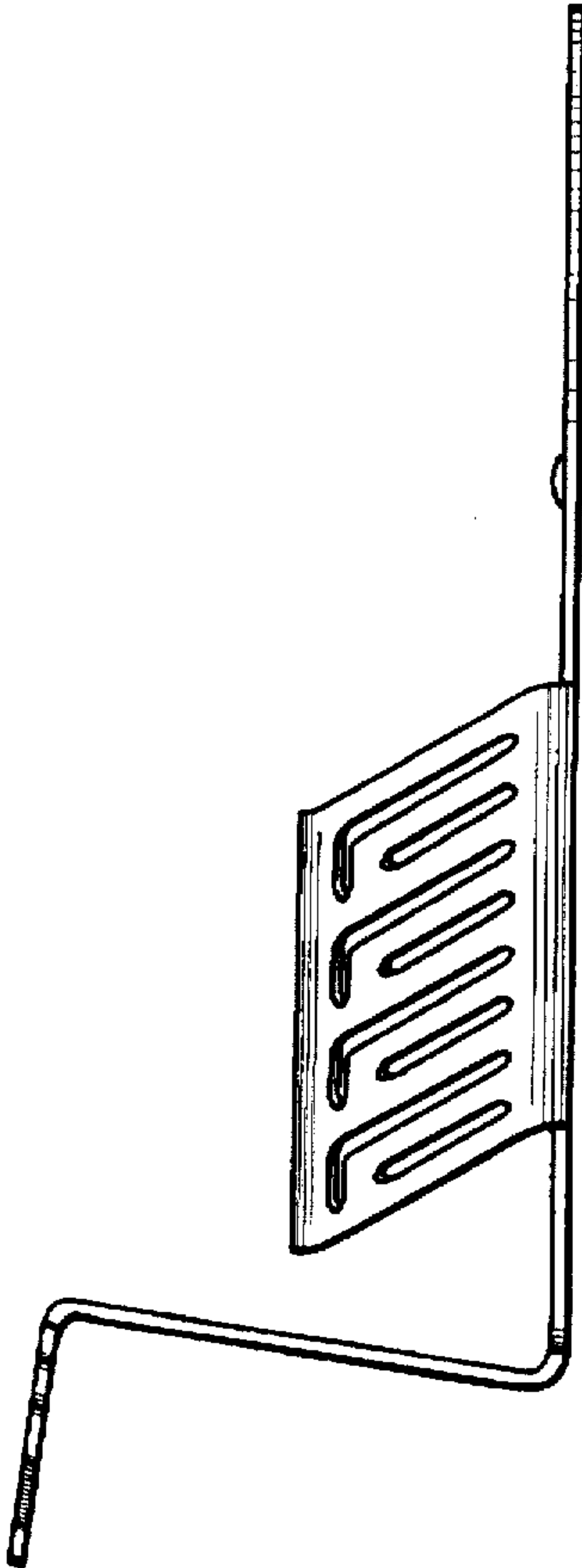


Fig. 3

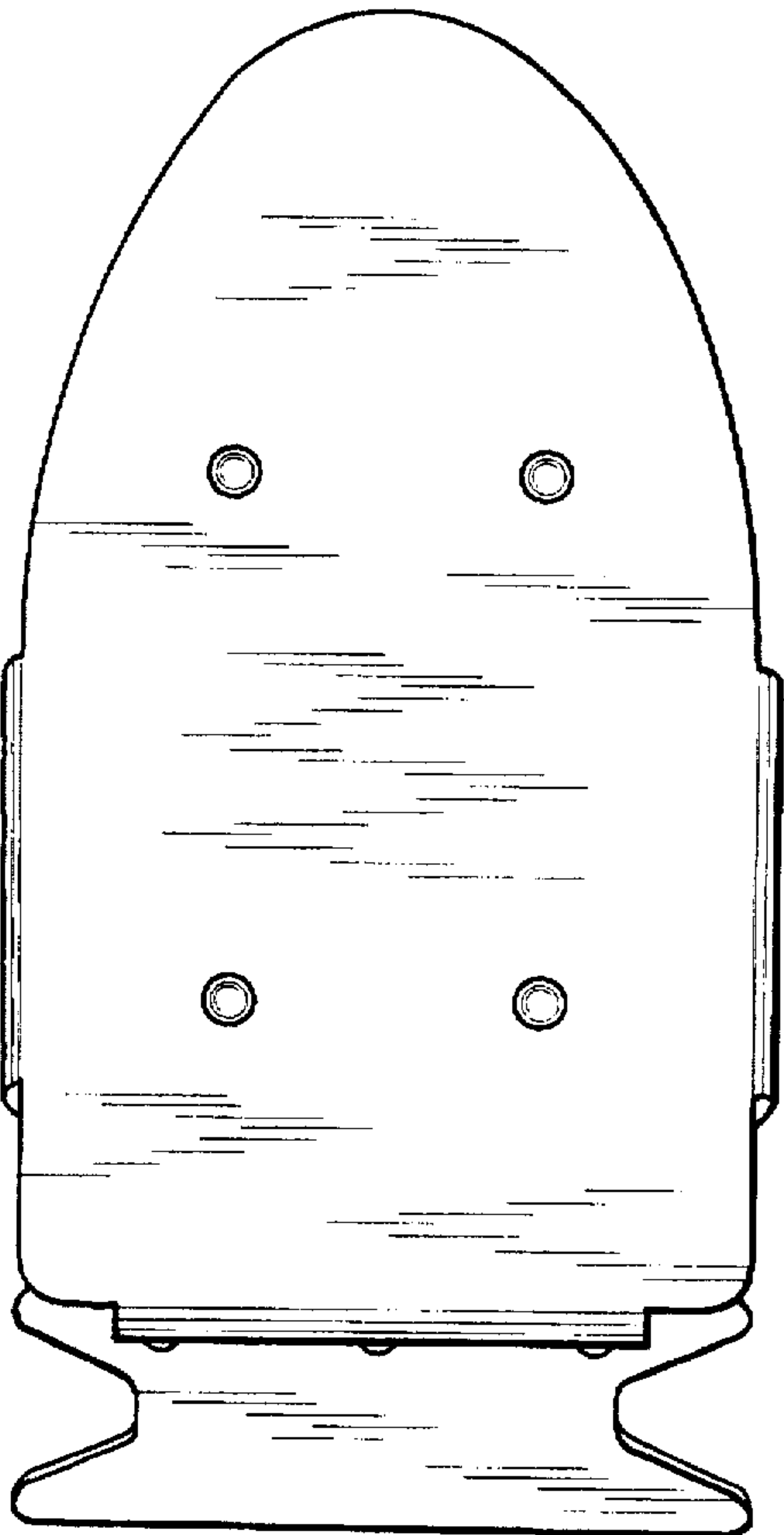


Fig. 4

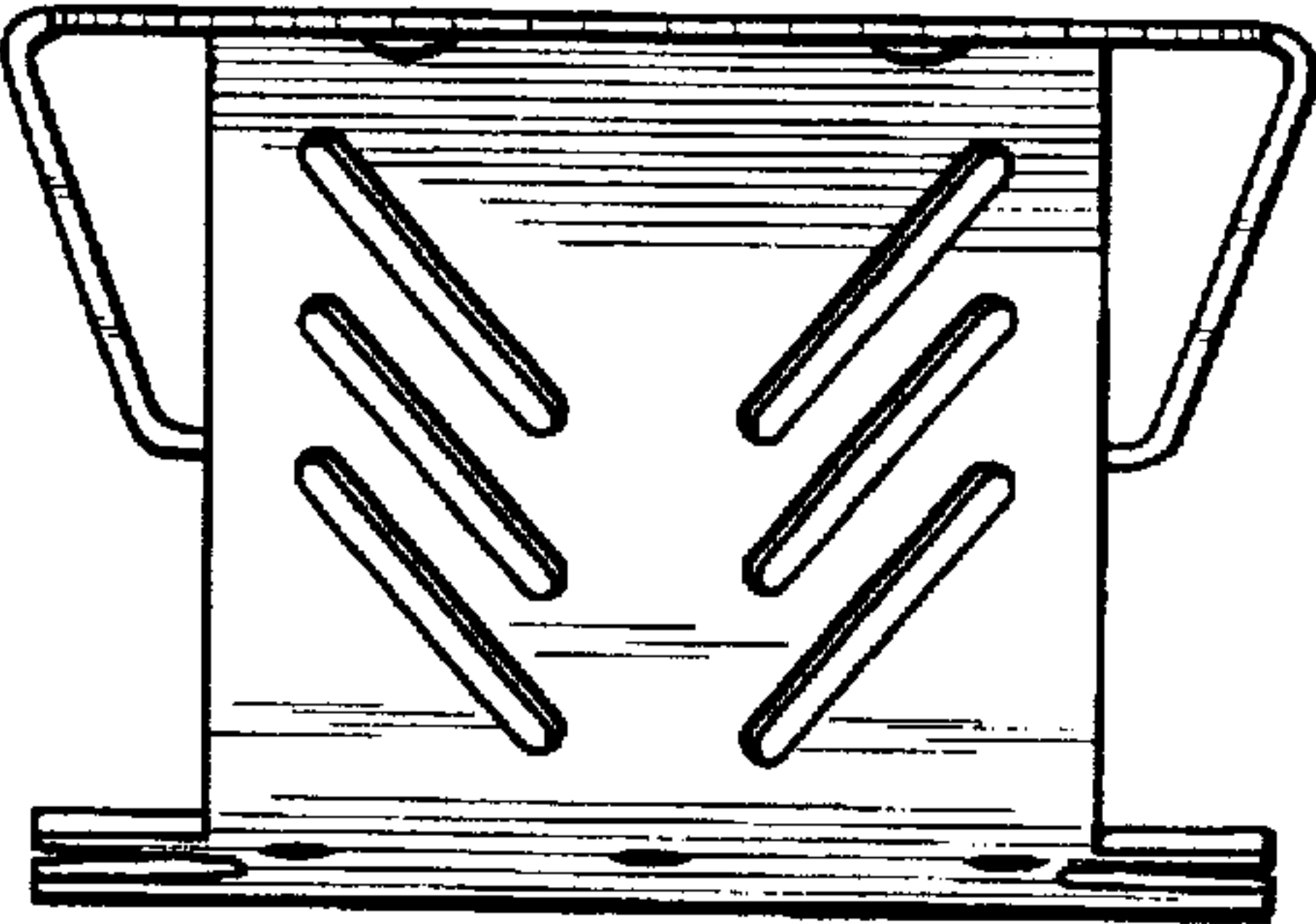


Fig. 5

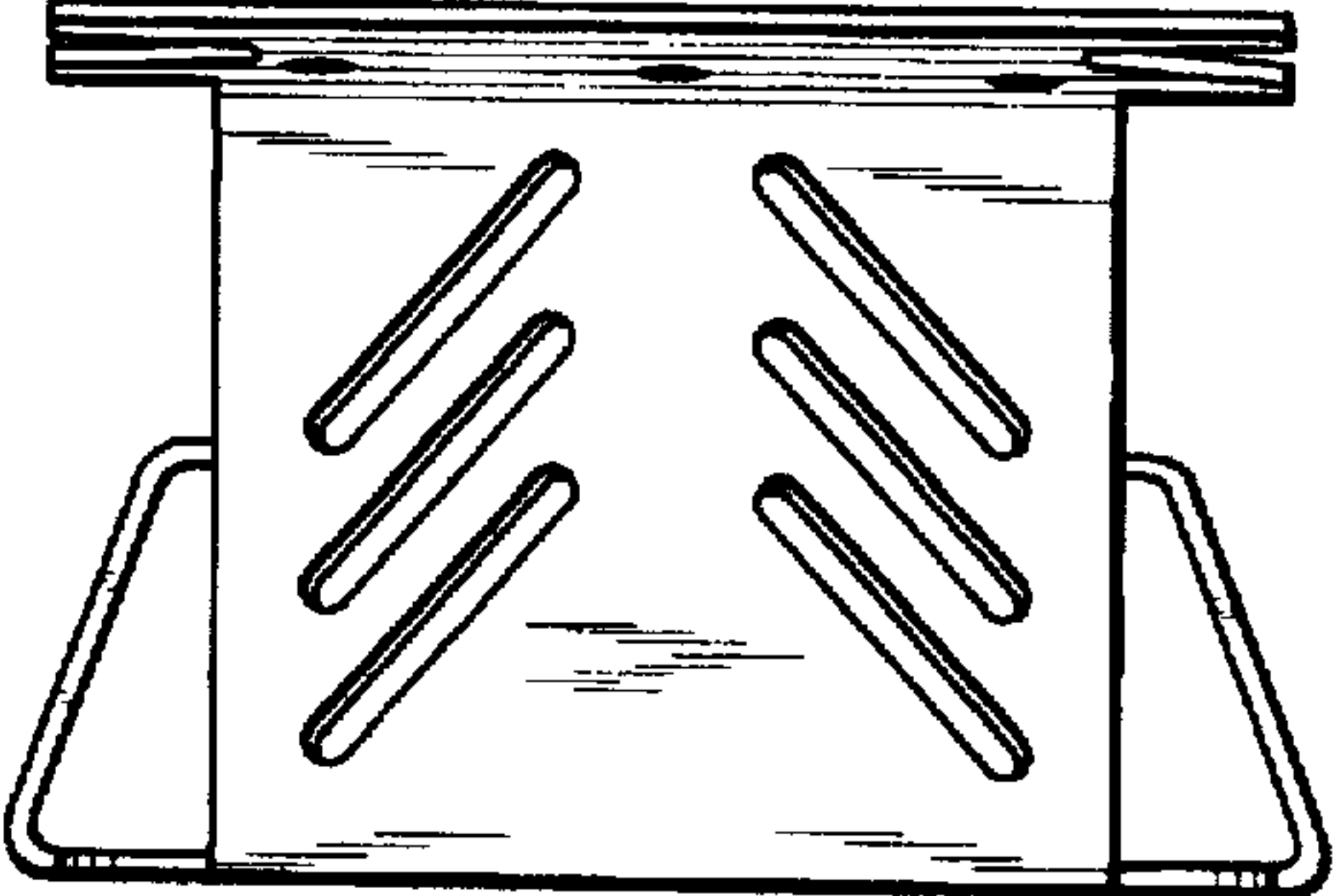


Fig. 6