

US00D386863S

United States Patent [19]
Lin

[11] **Patent Number:** **Des. 386,863**

[45] **Date of Patent:** ****Nov. 25, 1997**

[54] **IRON**

D. 373,870 9/1996 Reibl D32/70

[76] **Inventor:** **Yu-Yuan Lin**, No. 72-1, Shin-Lo Rd.,
Tainan, Taiwan

Primary Examiner—Susan J. Lucas
Assistant Examiner—Cynthia E. Ramirez
Attorney, Agent, or Firm—Christensen O'Connor Johnson
& Kindness PLLC

[**] **Term:** **14 Years**

[21] **Appl. No.:** **53,701**

[57] **CLAIM**

[22] **Filed:** **Apr. 26, 1996**

The ornamental design for an iron, as shown and described.

[51] **LOC (6) Cl.** **07-05**

DESCRIPTION

[52] **U.S. Cl.** **D32/70**

FIG. 1 is a perspective view of an iron showing my new design;

[58] **Field of Search** D32/68, 70, 71,
D32/69; 38/77.1-77.5, 74, 69, 79, 77.8,
77.7, 88, 77.9, 141, 142; 219/245, 249

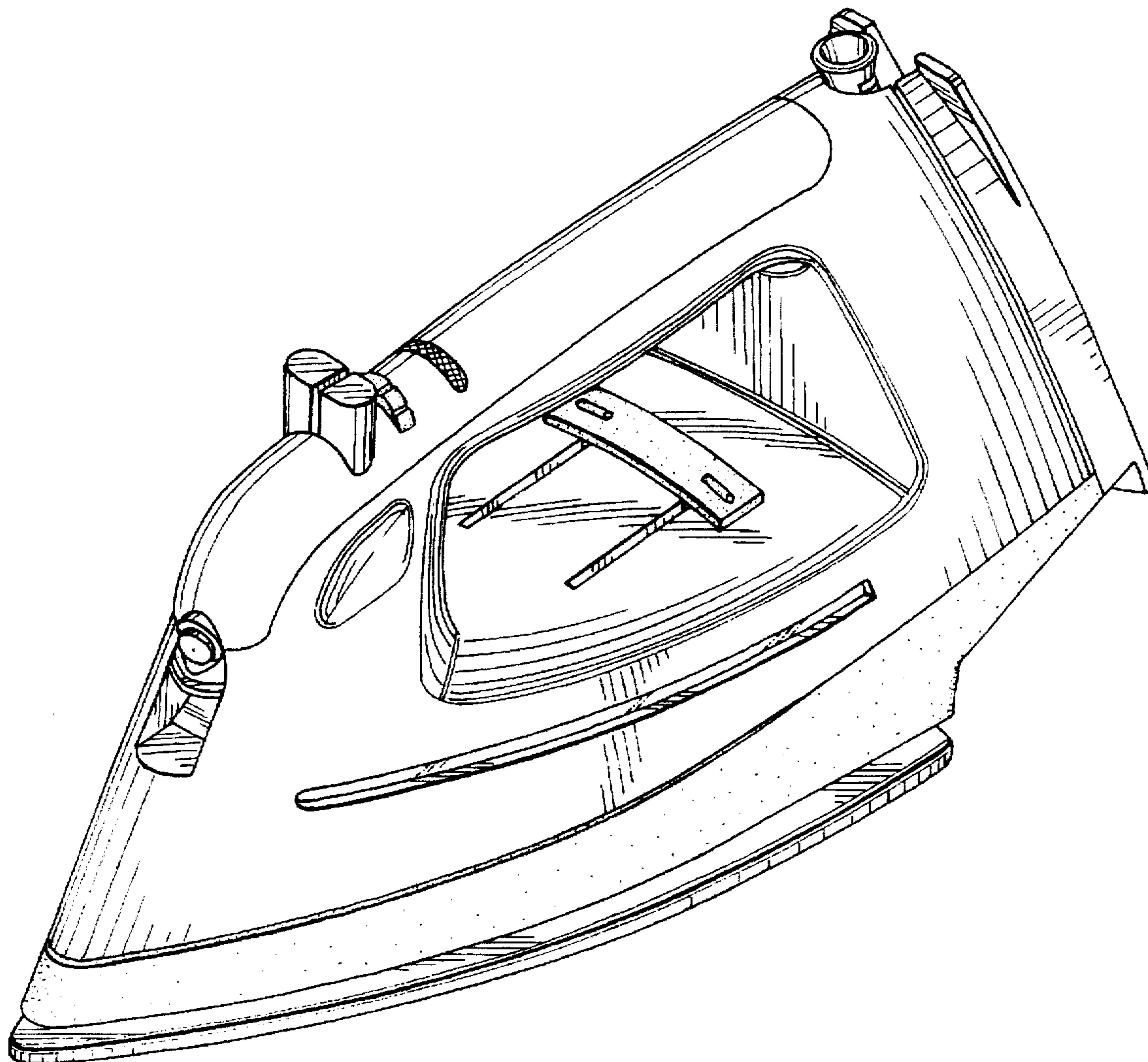
FIG. 2 is a front elevational view thereof;
FIG. 3 is a rear elevational view thereof;
FIG. 4 is a left side elevational view thereof;
FIG. 5 is a right side elevational view thereof;
FIG. 6 is a top plan view thereof; and,
FIG. 7 is a bottom plan view thereof.

[56] **References Cited**

U.S. PATENT DOCUMENTS

- D. 367,138 2/1996 Laborda D32/70
- D. 370,103 5/1996 Gudfin D32/70

1 Claim, 4 Drawing Sheets



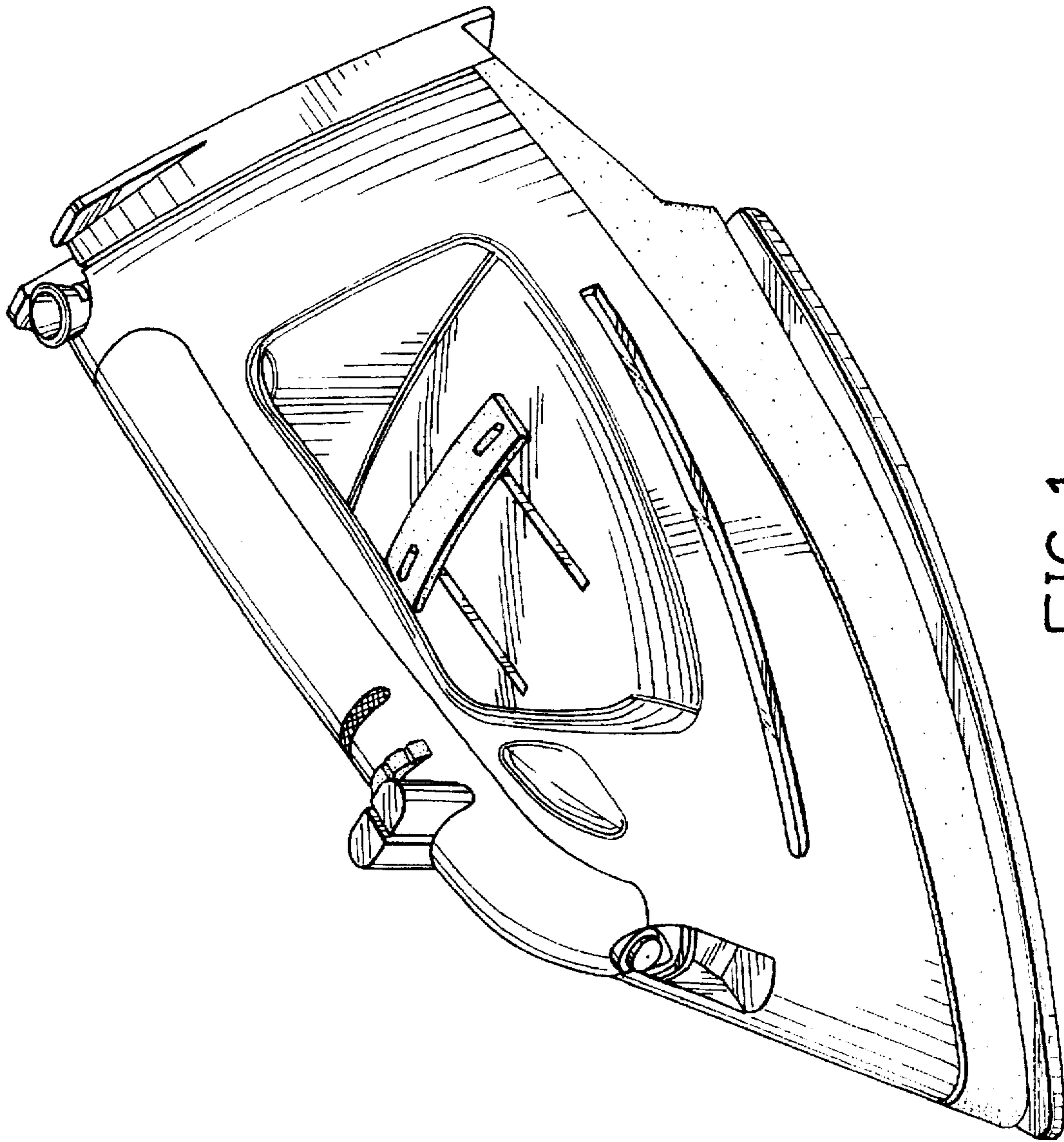


FIG. 1

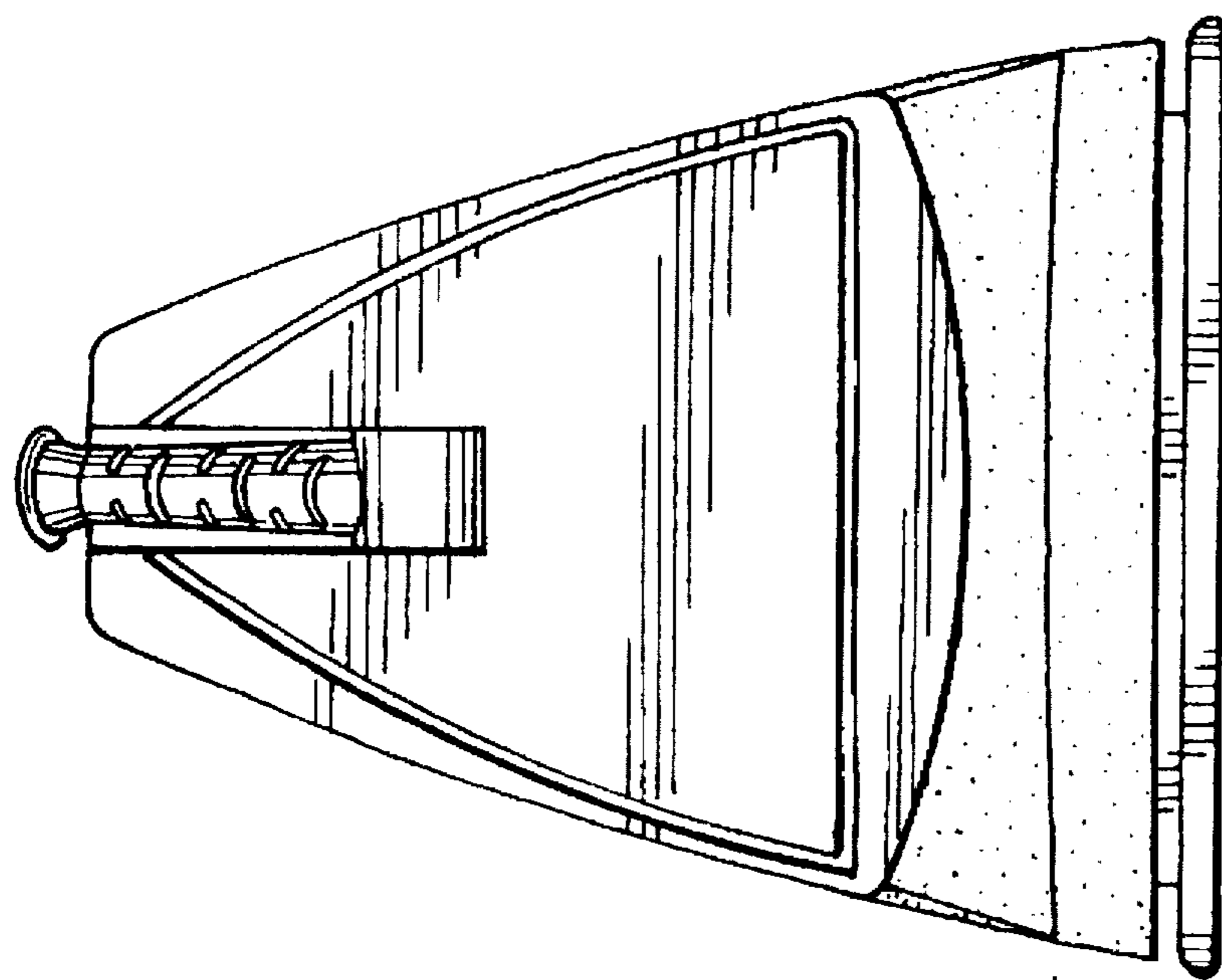


FIG.3

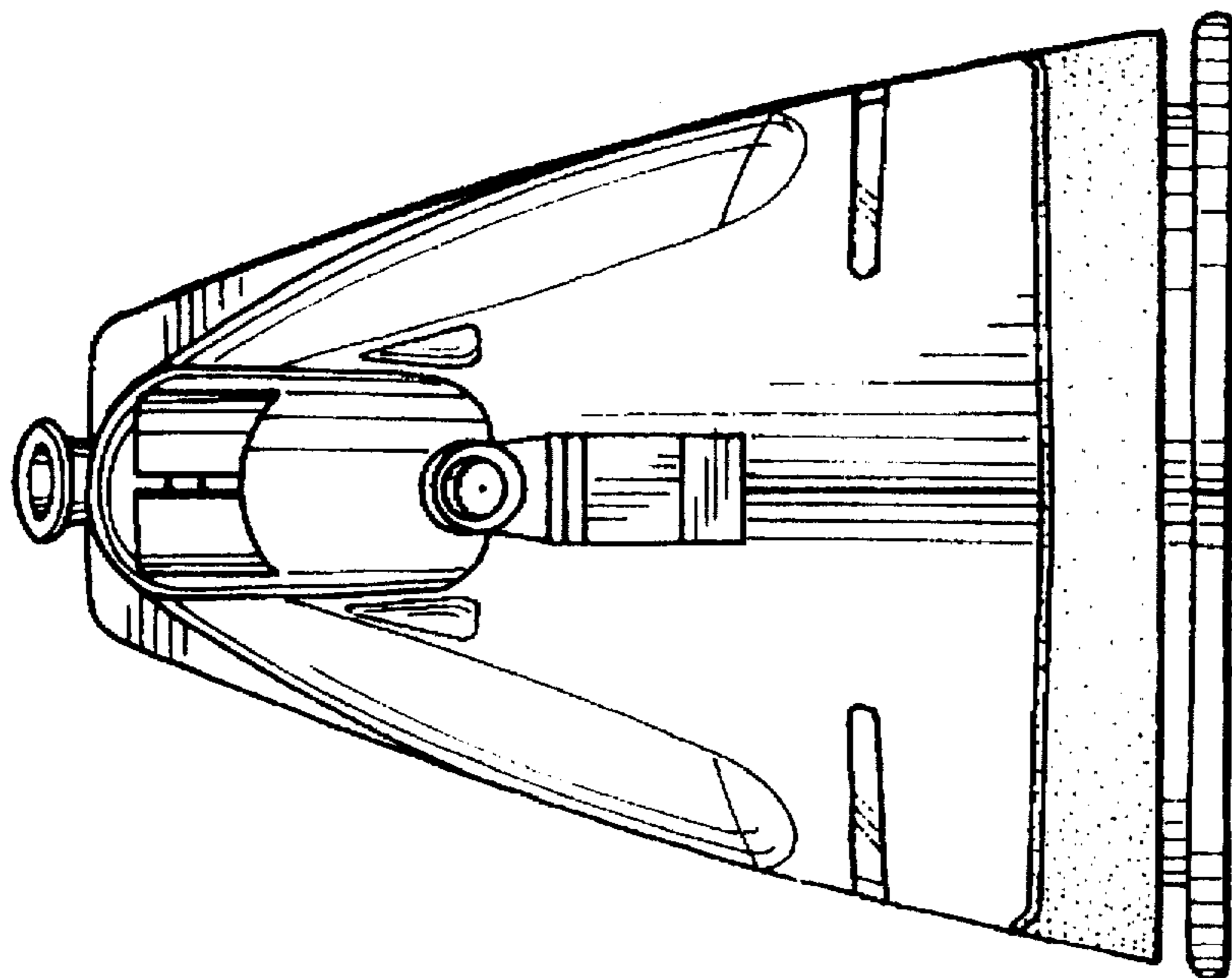


FIG.2

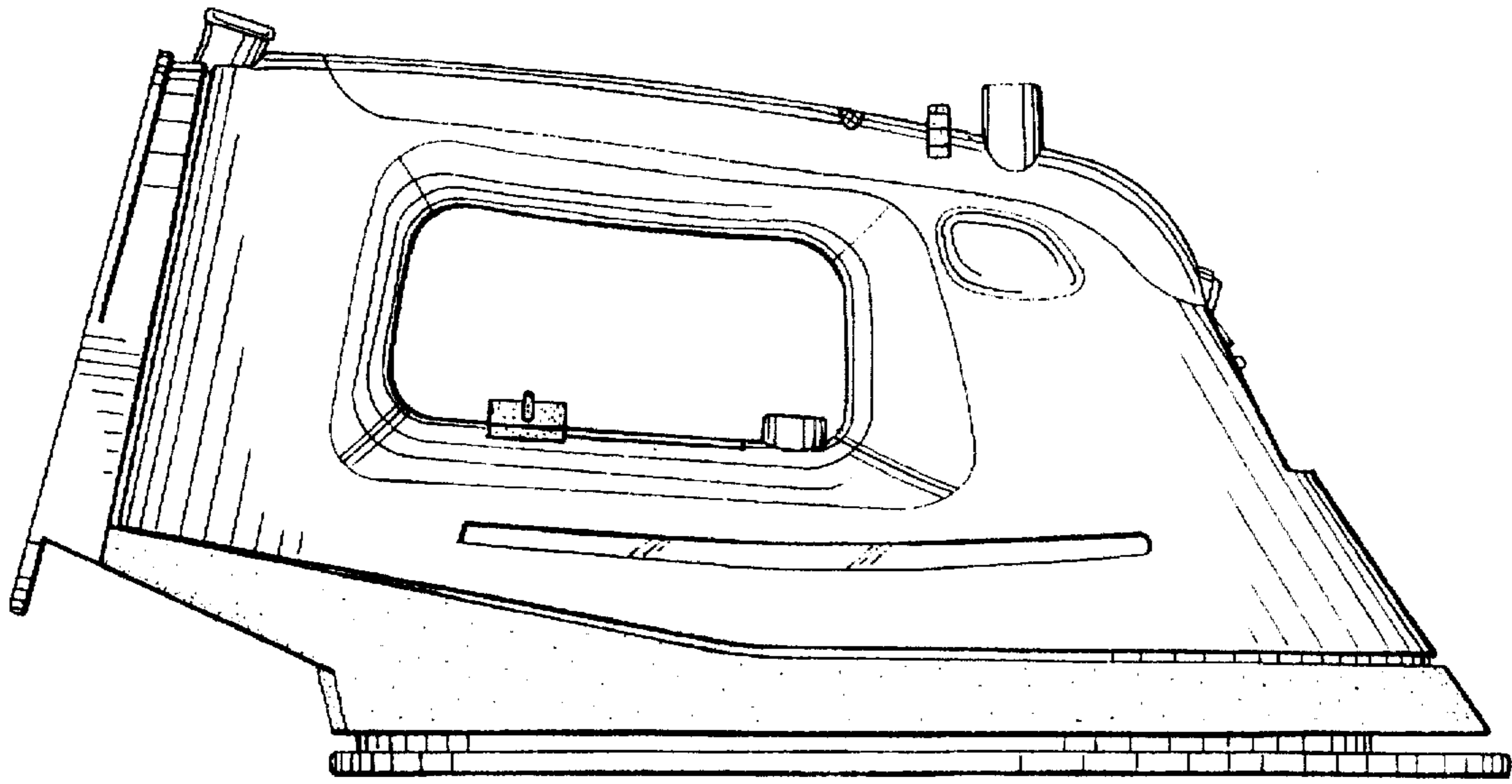


FIG. 4

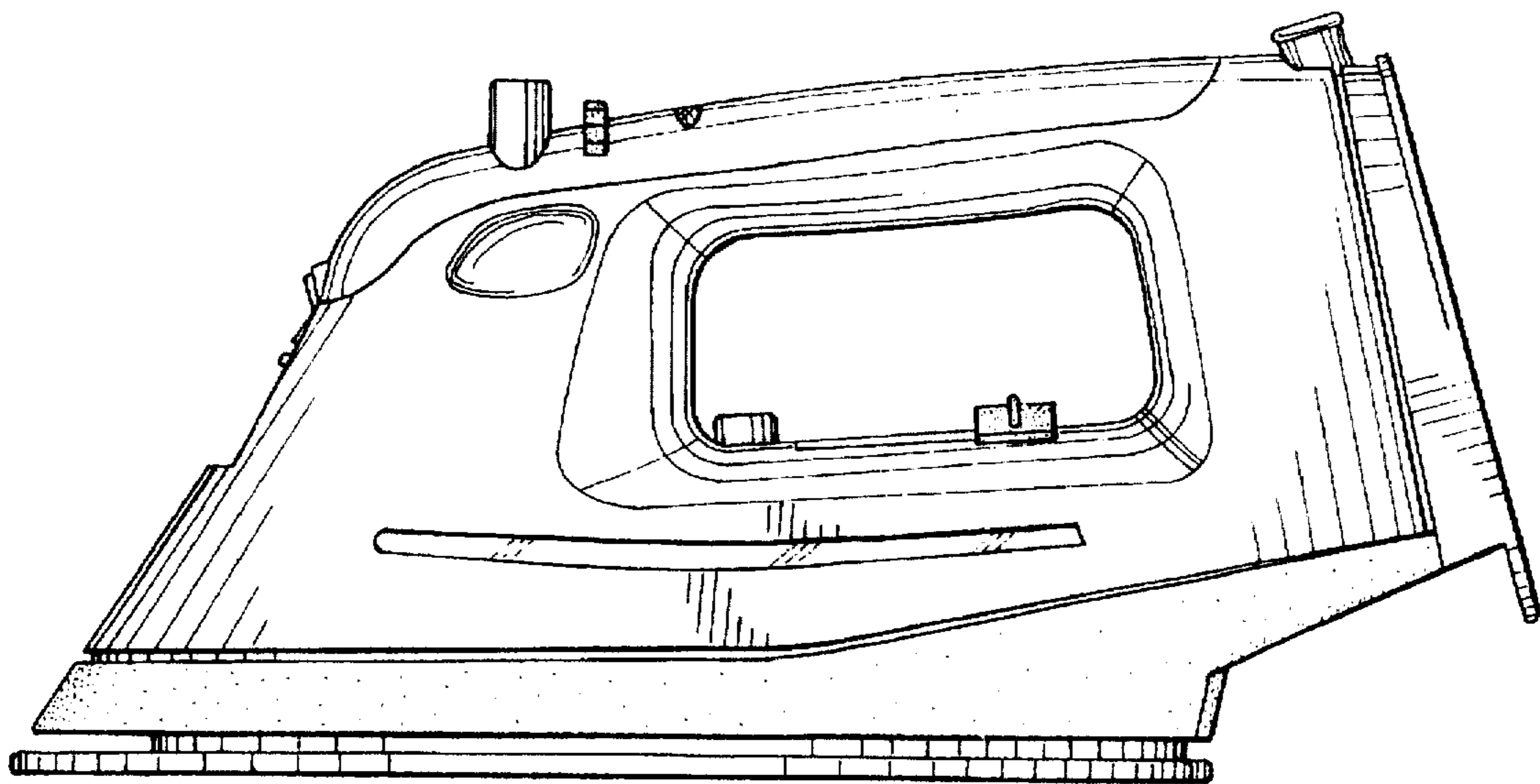


FIG. 5

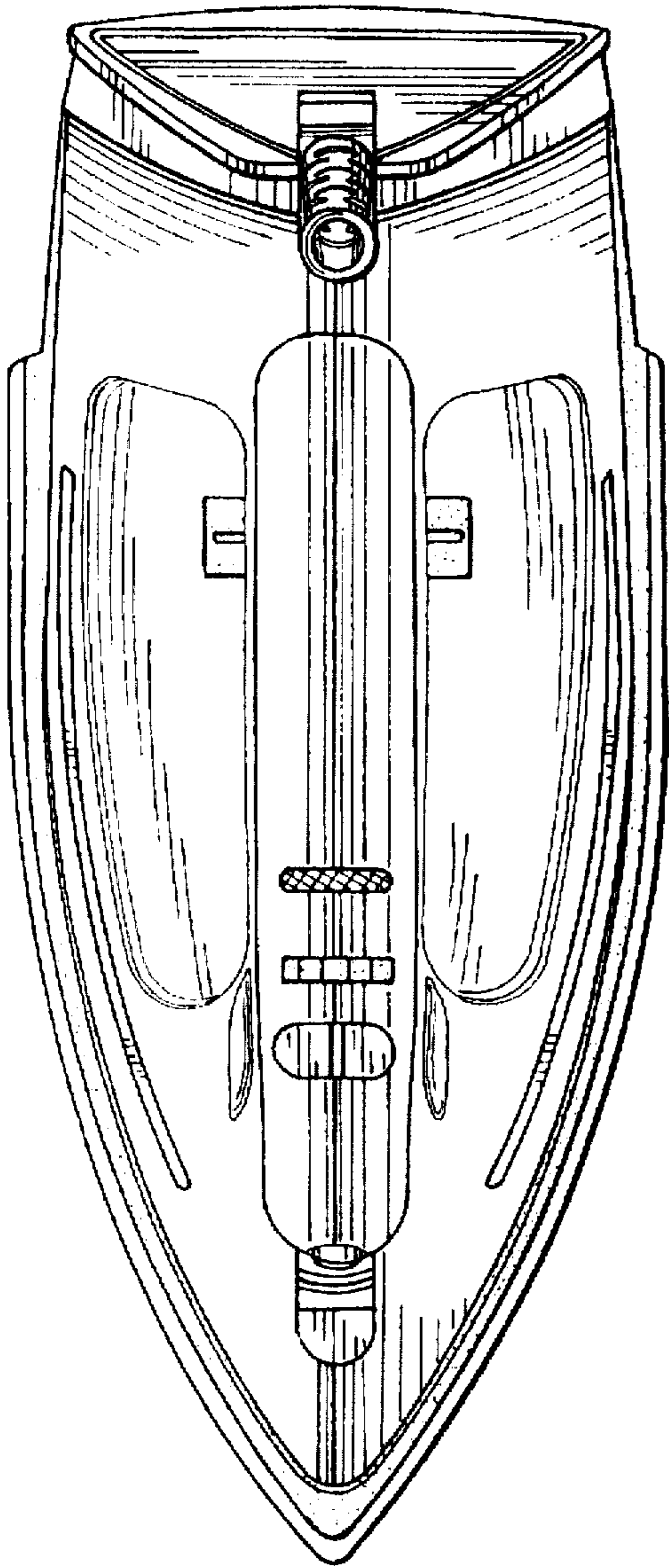


FIG. 6

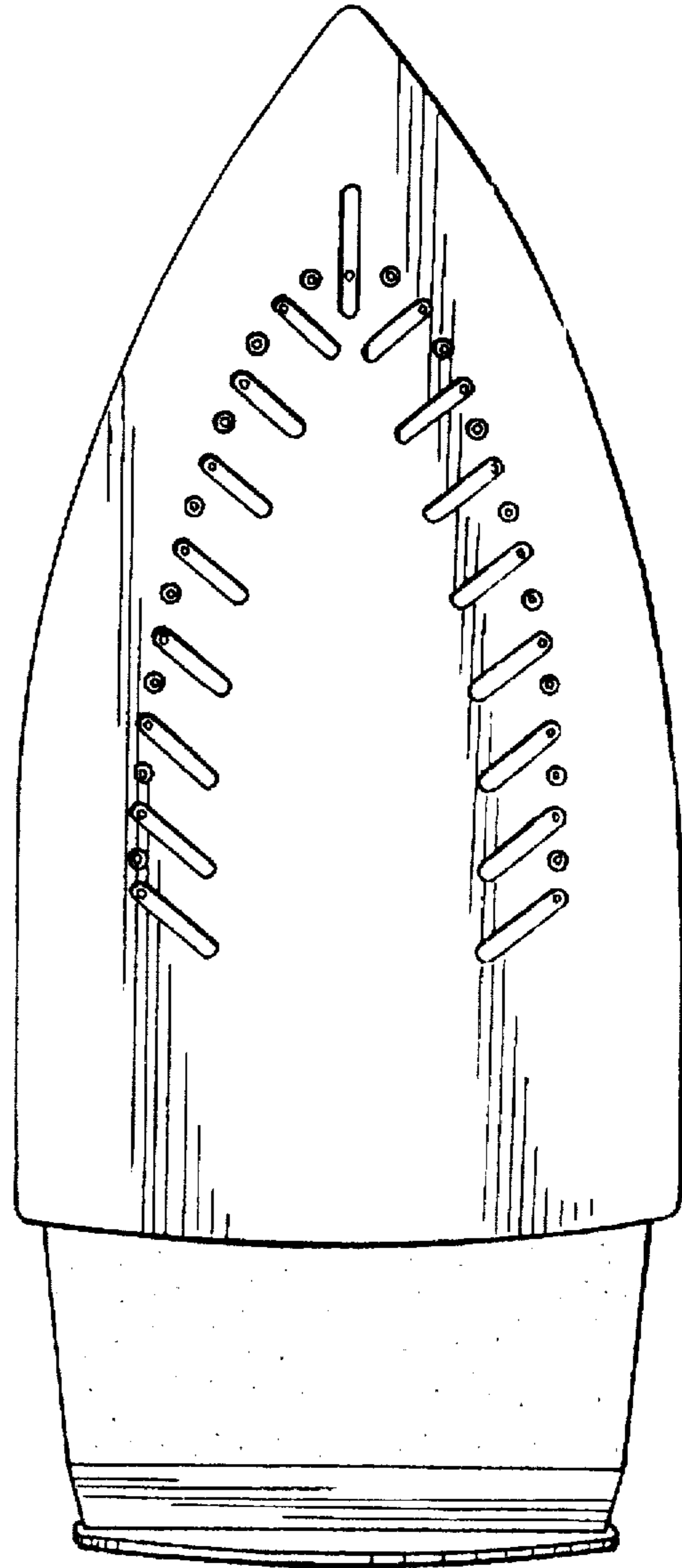


FIG. 7