



US00D386858S

United States Patent [19]
Mandish

[11] **Patent Number:** **Des. 386,858**

[45] **Date of Patent:** ****Nov. 25, 1997**

[54] **SHOE AND BOOT CLEANER**

D. 372,569 8/1996 Rook D32/47

[76] **Inventor:** **Theodore O. Mandish**, 5055 State Road 46, Mims, Fla. 32754

Primary Examiner—Susan J. Lucas
Assistant Examiner—Cynthia E. Ramirez
Attorney, Agent, or Firm—William M. Hobby, III

[**] **Term:** **14 Years**

[57] **CLAIM**

[21] **Appl. No.:** **54,444**

The ornamental design for a shoe and boot cleaner, as shown and described.

[22] **Filed:** **May 14, 1996**

[51] **LOC (6) Cl.** **08-99**

[52] **U.S. Cl.** **D32/47**

[58] **Field of Search** D4/118, 119, 120, D4/130; D28/63; D32/35, 46, 47; D6/583, 592; 15/110, 112, 159.1, 160, 161, 237, 105

DESCRIPTION

FIG. 1 is a top and left front perspective view of my shoe and boot cleaner design;
FIG. 2 is a right end elevation;
FIG. 3 is a top plan view;
FIG. 4 is a bottom plan view; and,
FIG. 5 is a rear elevation.

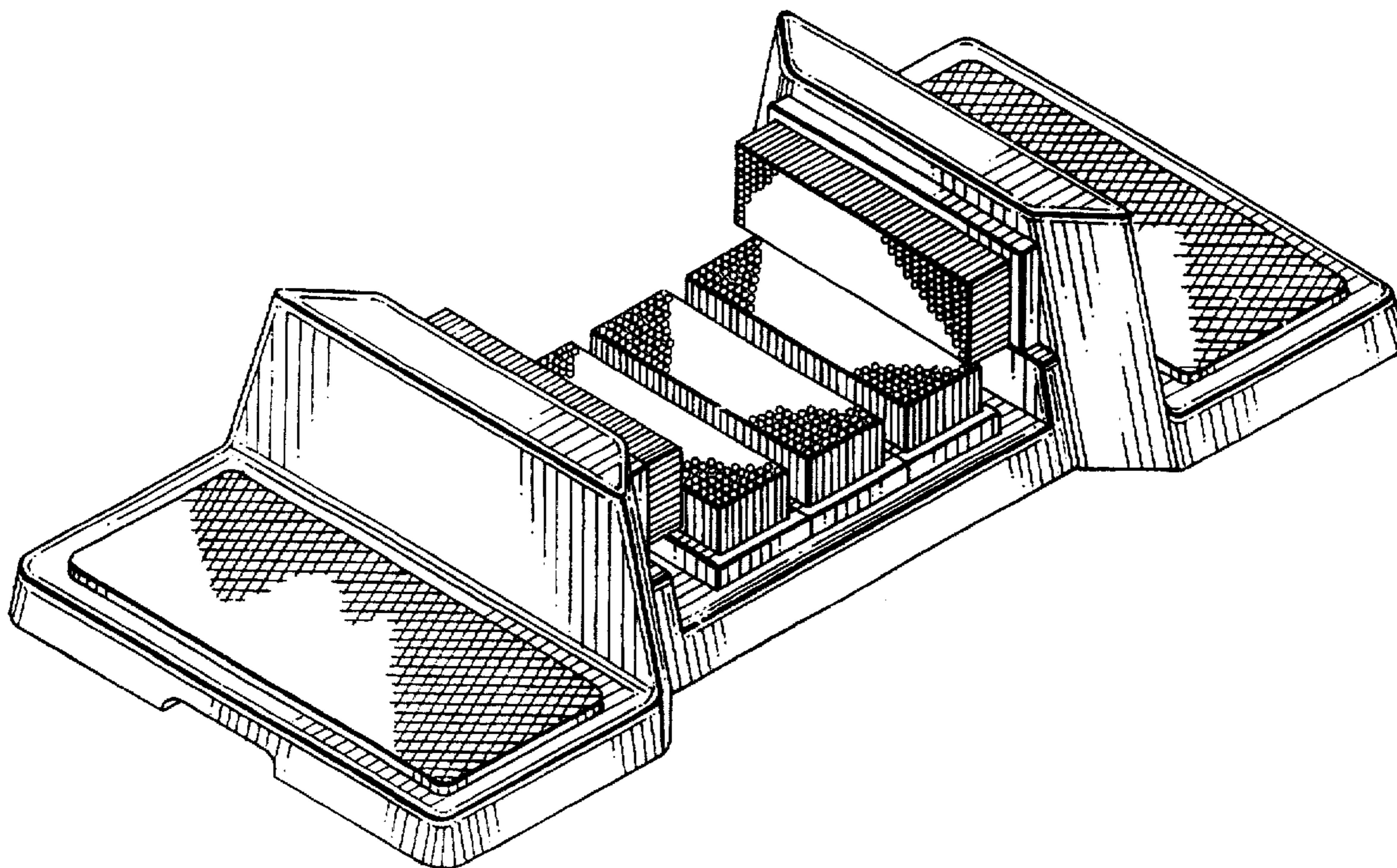
The cross hatching and the shading depicting bristles in the figures is fragmentarily shown for convenience of illustration, it being understood that the shading is uniformly continuous over the surface on which it appears.

[56] **References Cited**

U.S. PATENT DOCUMENTS

- D. 109,603 5/1938 Butt D32/47
- D. 283,850 5/1986 Miller D32/47 X
- D. 287,310 12/1986 Miller D4/119
- D. 369,887 5/1996 Mendis D32/47

1 Claim, 1 Drawing Sheet



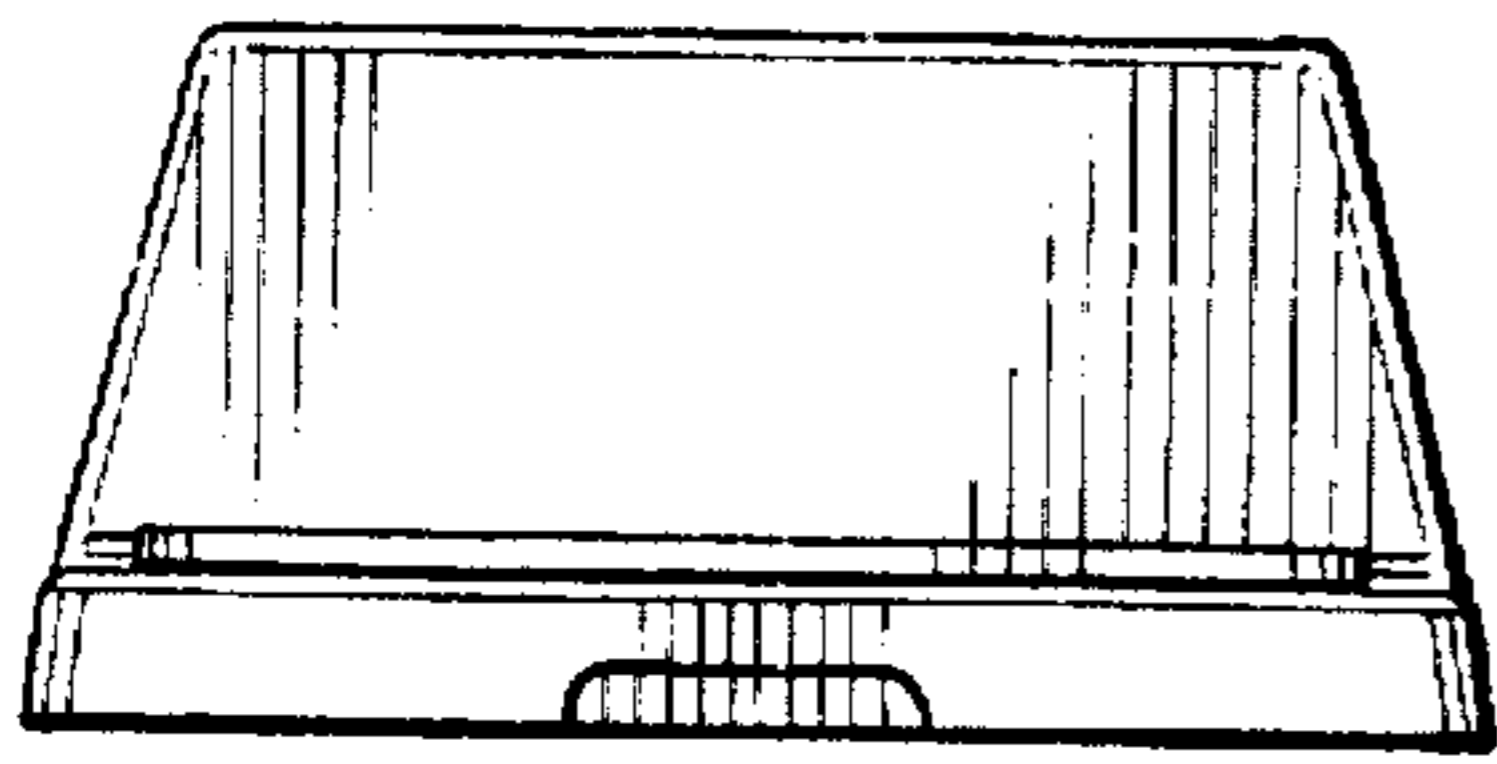


FIG. 2

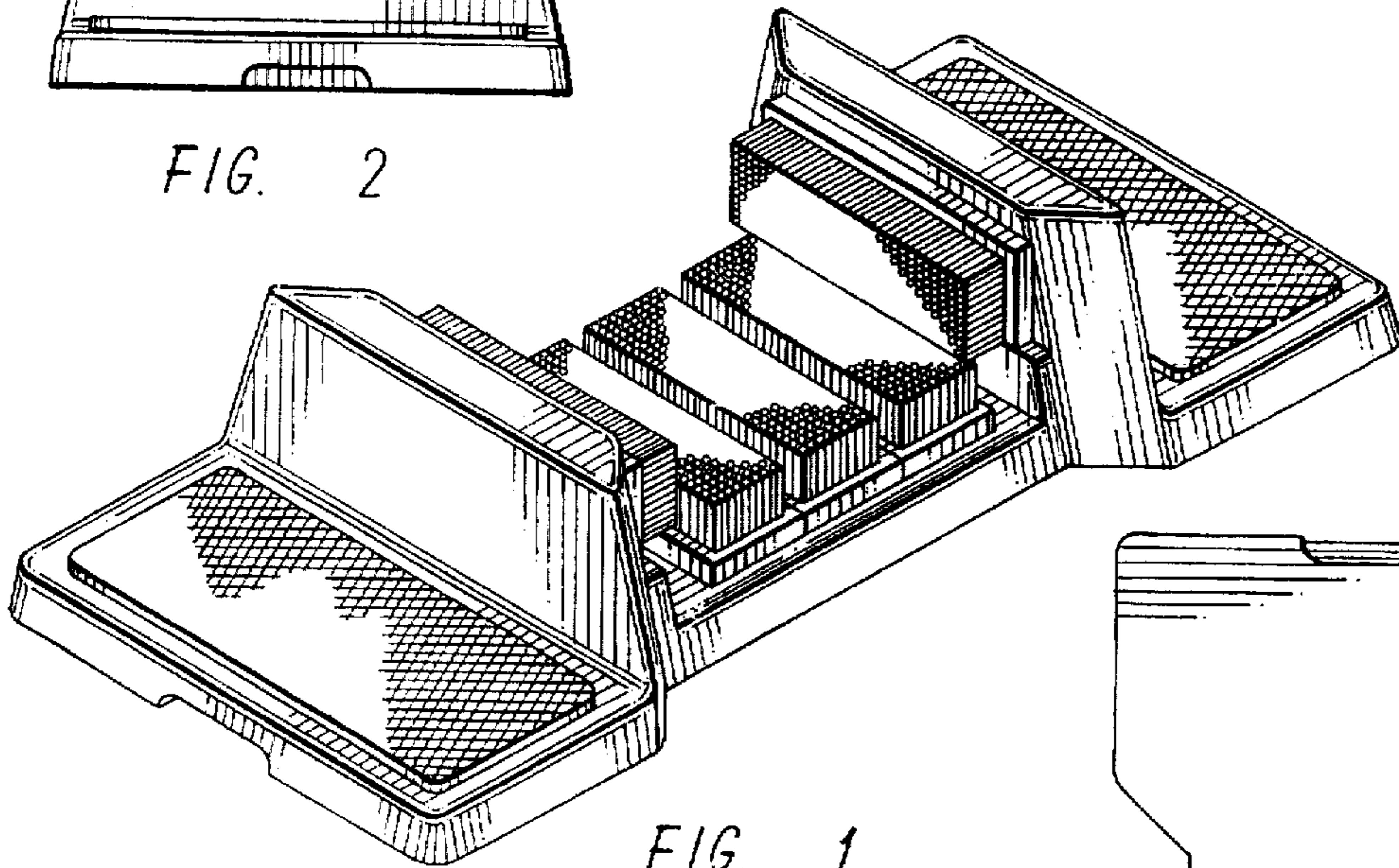


FIG. 1

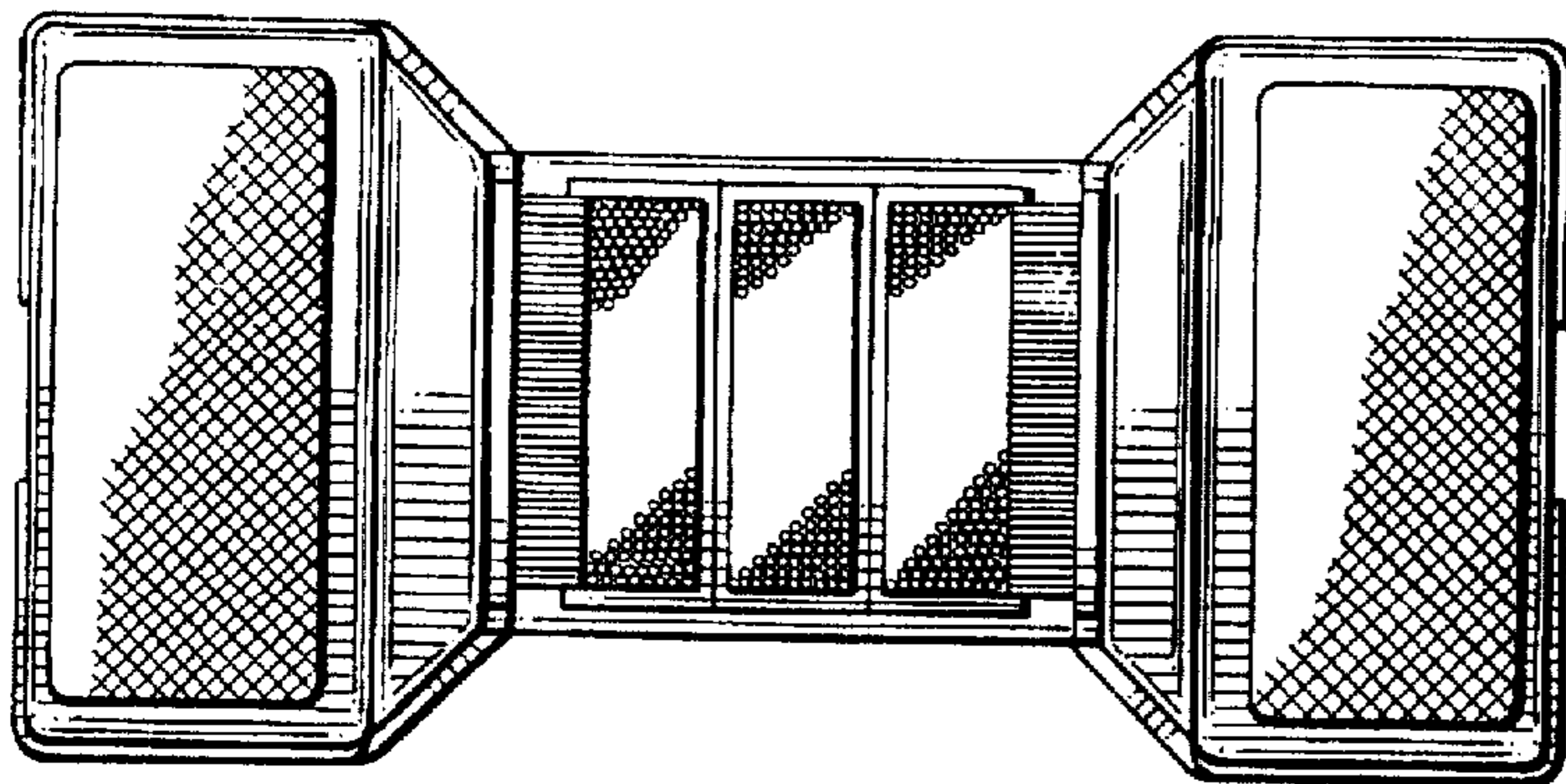


FIG. 3

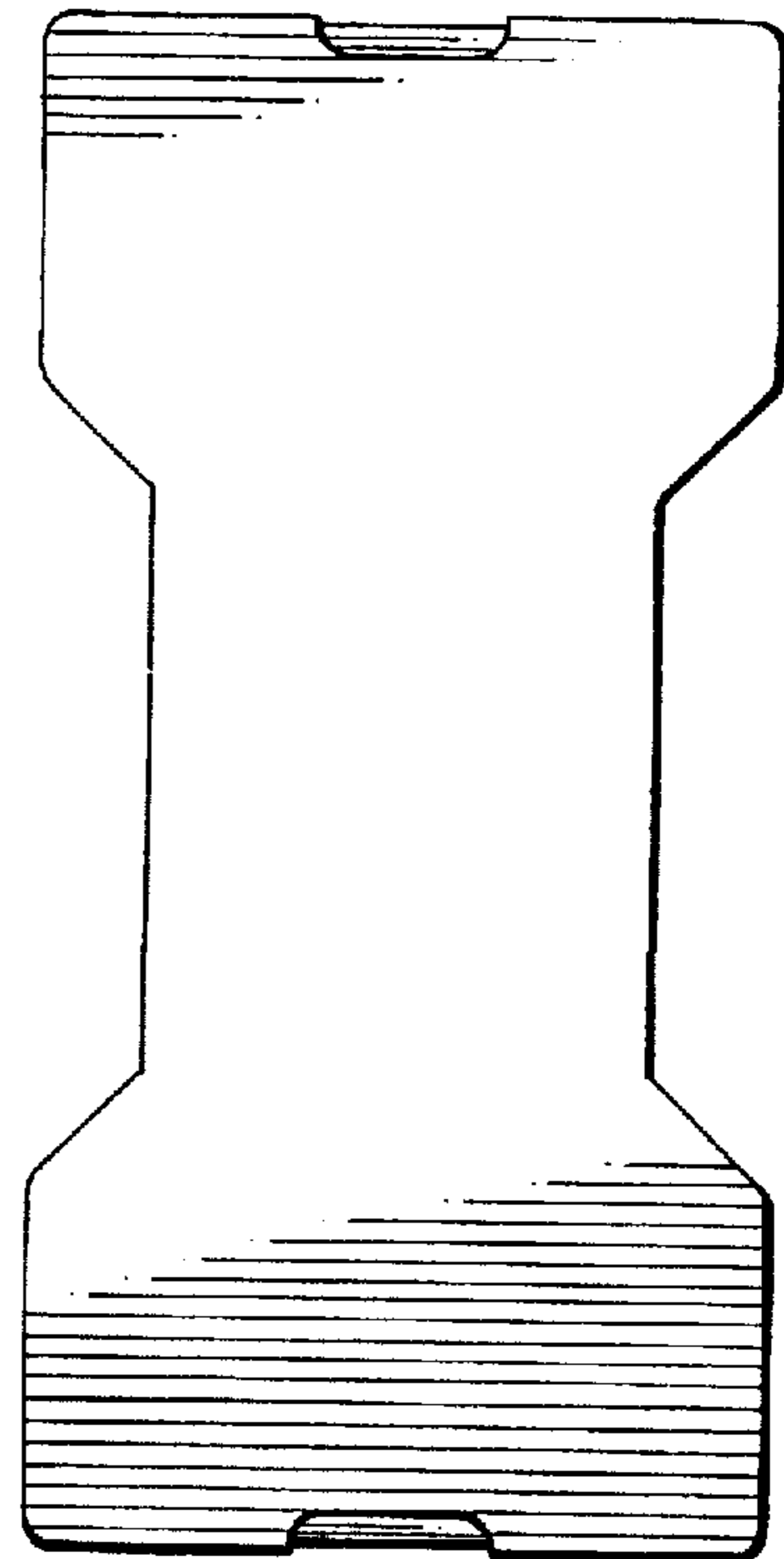


FIG. 4

FIG. 5

