



US00D386854S

# United States Patent [19] Koptis

[11] Patent Number: **Des. 386,854**  
[45] Date of Patent: **\*\*Nov. 25, 1997**

[54] **PUMP SPRAY SPONGE APPLICATOR**

4,013,369 3/1977 Turek ..... 401/139  
4,594,015 6/1986 Pomares ..... 401/139 X

[75] Inventor: **Kurt Koptis**, Yucca Valley, Calif.

[73] Assignee: **Painter's Products, Inc.**, Palm Desert, Calif.

*Primary Examiner*—Susan J. Lucas  
*Assistant Examiner*—Cynthia E. Ramirez  
*Attorney, Agent, or Firm*—Charles H. Schwartz; Harvey S. Hertz

[\*\*] Term: **14 Years**

[57] **CLAIM**

[21] Appl. No.: **54,672**

The ornamental design for a pump spray sponge applicator, as shown and described.

[22] Filed: **May 20, 1996**

[51] LOC (6) Cl. .... **08-05**

[52] U.S. Cl. .... **D32/45; D4/114; D9/436; D9/448; D9/447**

[58] Field of Search ..... **D9/338, 434, 435, D9/427, 448, 436, 300; D4/114, 116, 121; D32/35; 401/137, 138, 139**

**DESCRIPTION**

FIG. 1 is a rear perspective view of a pump spray sponge applicator according to my design;  
FIG. 2 is a front elevational view thereof;  
FIG. 3 is a side elevational view thereof the opposite side being a mirror image;  
FIG. 4 is a top plan view thereof;  
FIG. 5 is rear elevational view thereof; and,  
FIG. 6 is a bottom plan view thereof.

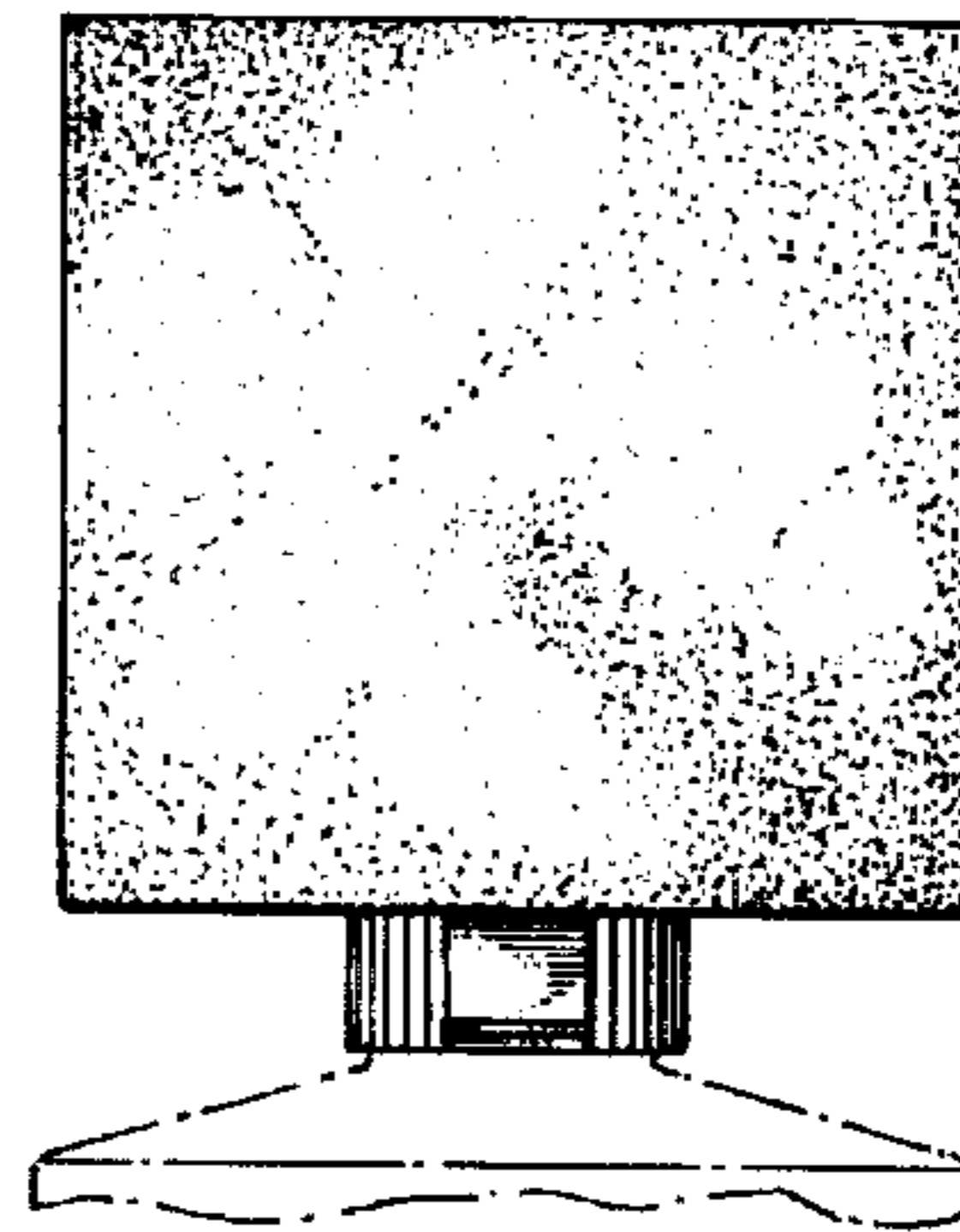
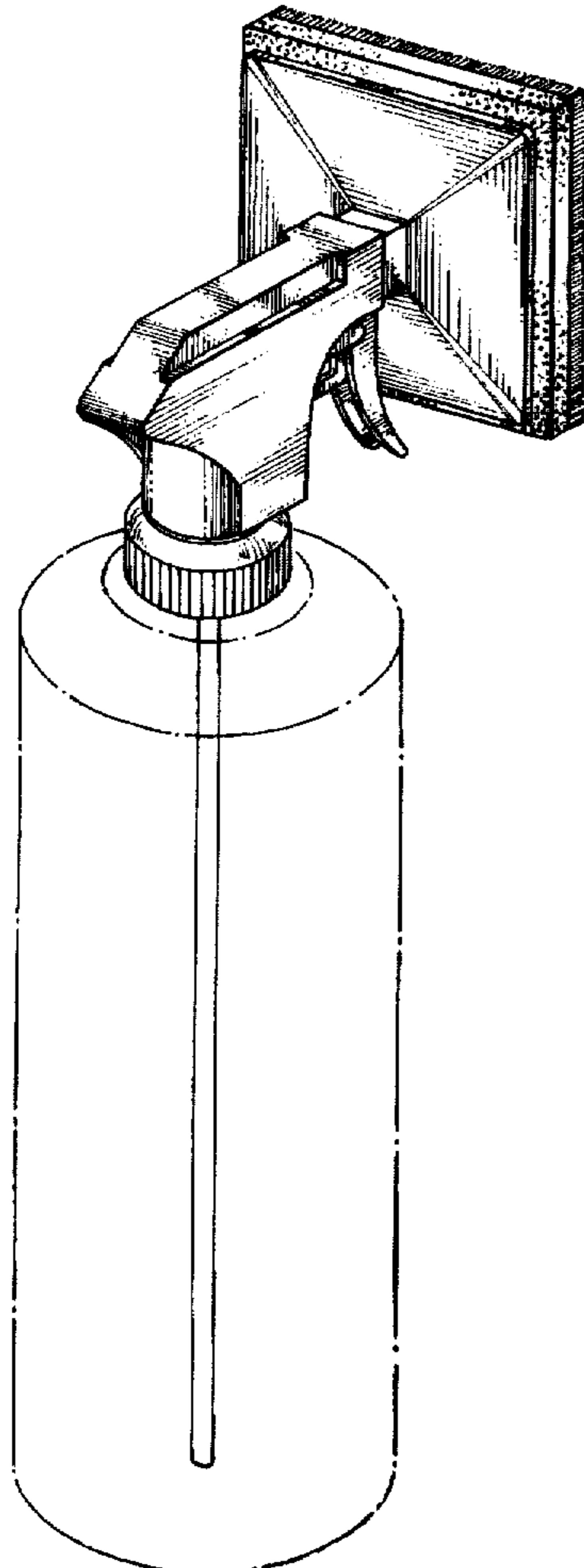
The container shown in dotted line is for environmental purposes only.

[56] **References Cited**

**U.S. PATENT DOCUMENTS**

- D. 196,707 10/1963 Anderson ..... D4/114
- D. 316,318 4/1991 Cheang ..... D32/42
- D. 318,158 7/1991 Ediger et al. .... D32/42
- D. 376,697 12/1996 Green et al. .... D9/338 X

**1 Claim, 2 Drawing Sheets**



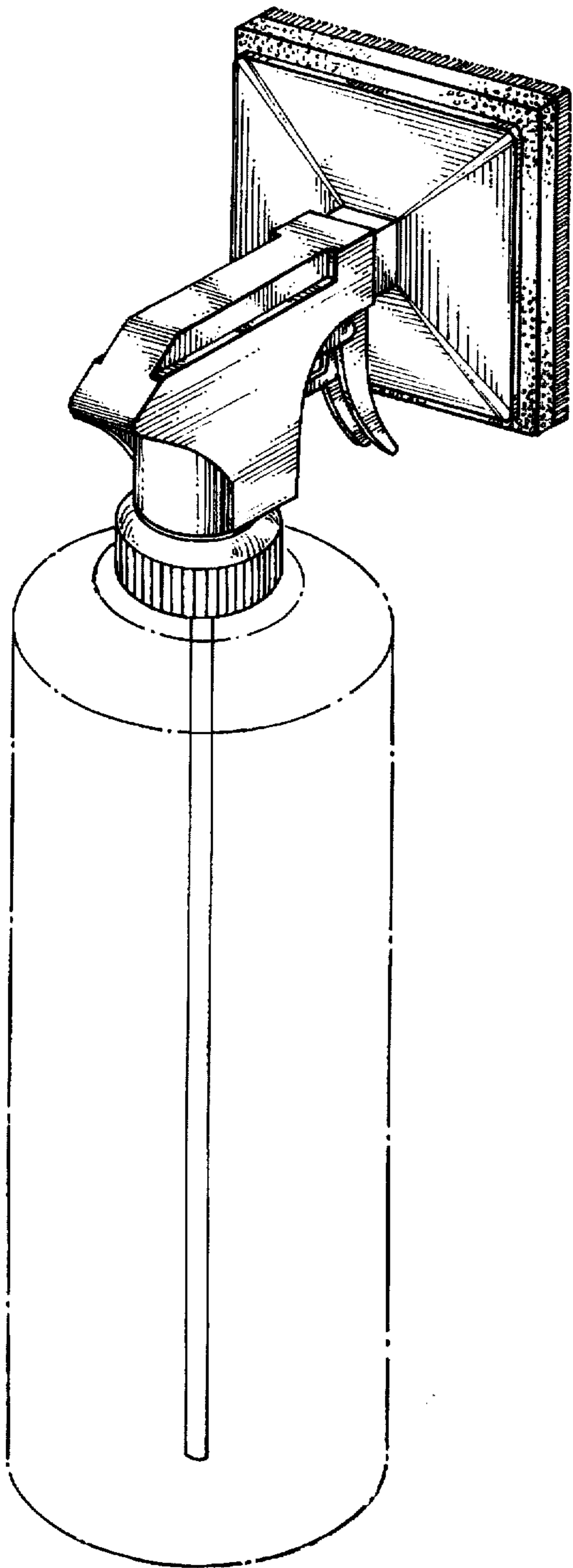


FIG. 1

FIG. 2

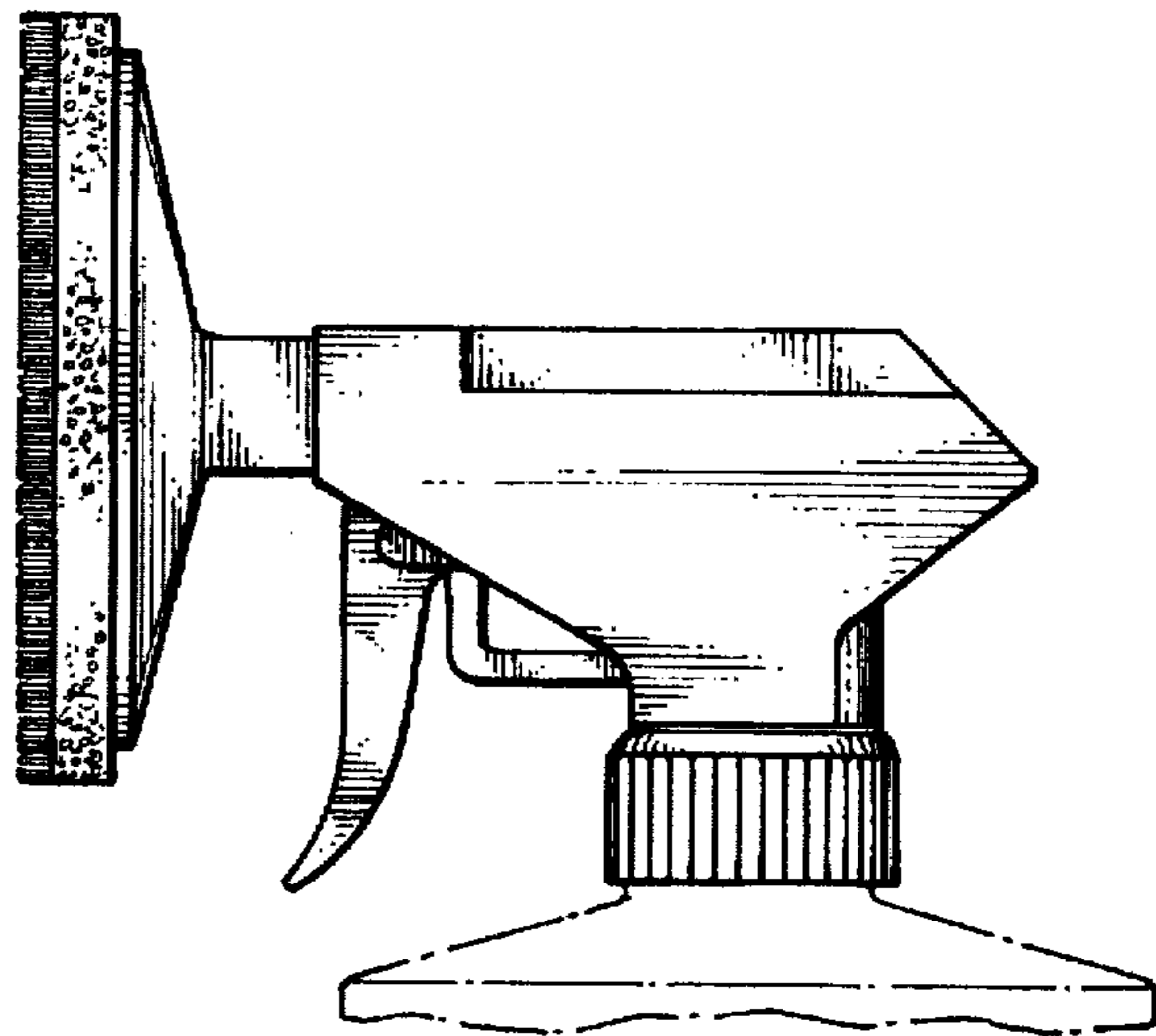
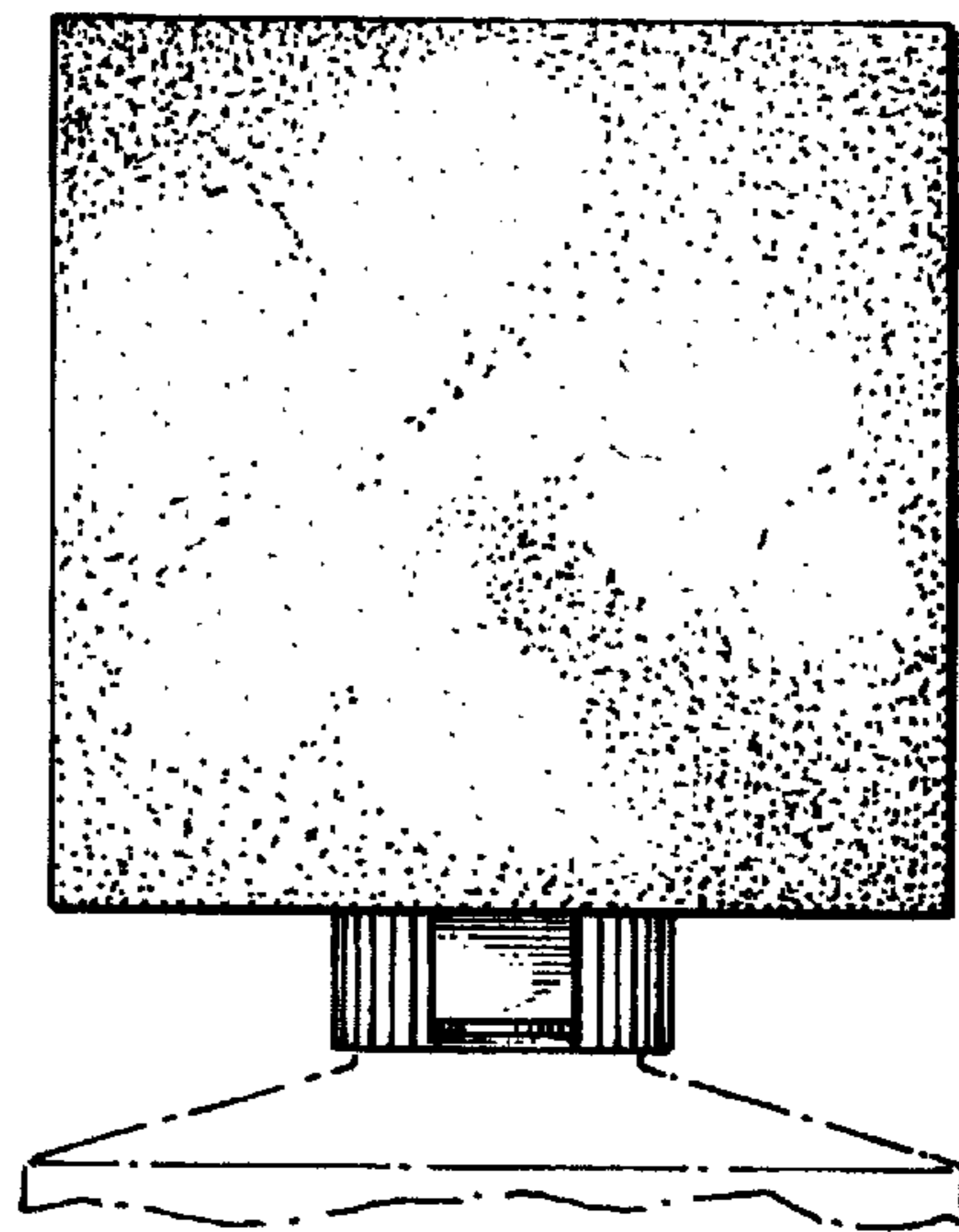


FIG. 3

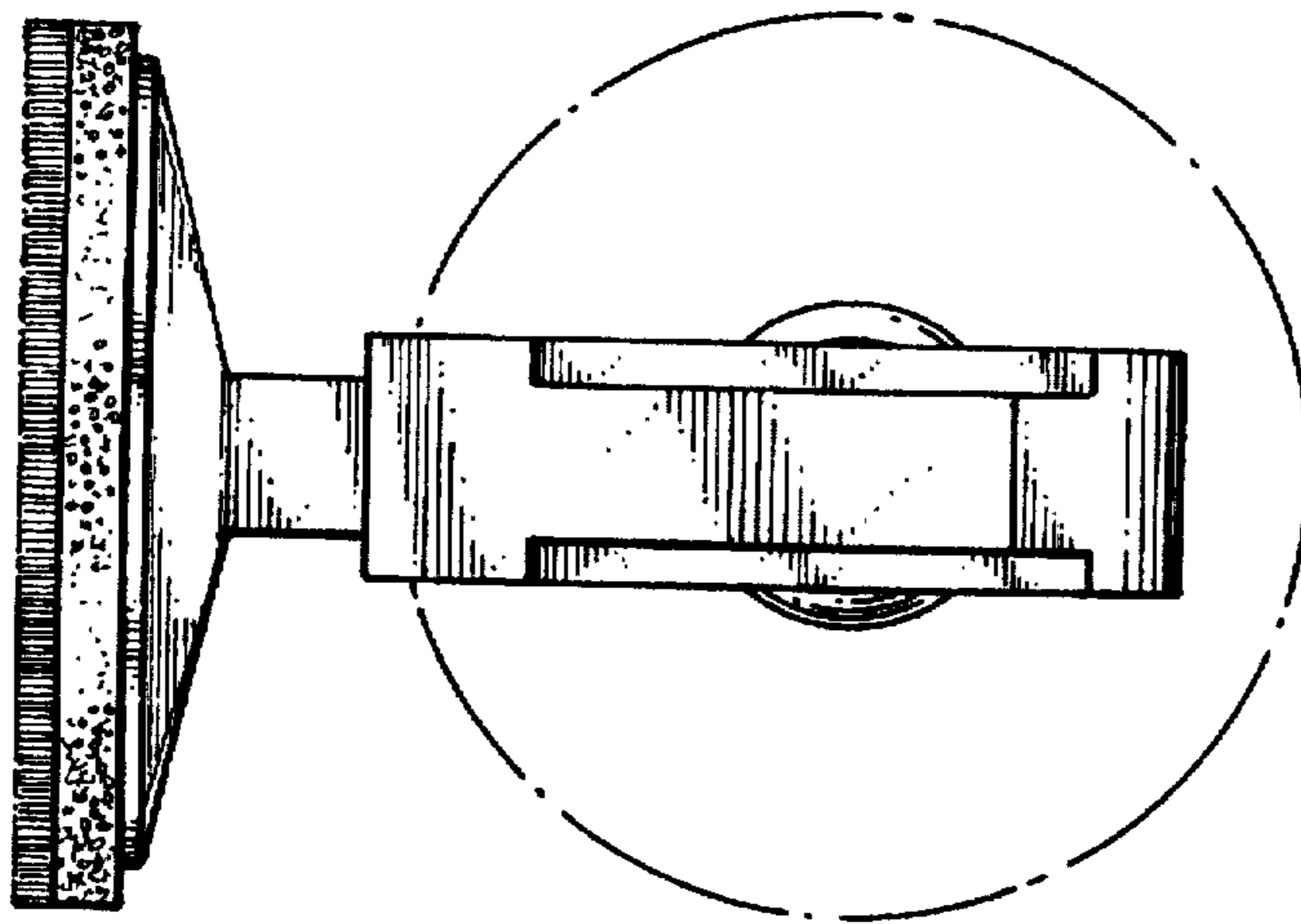


FIG. 4

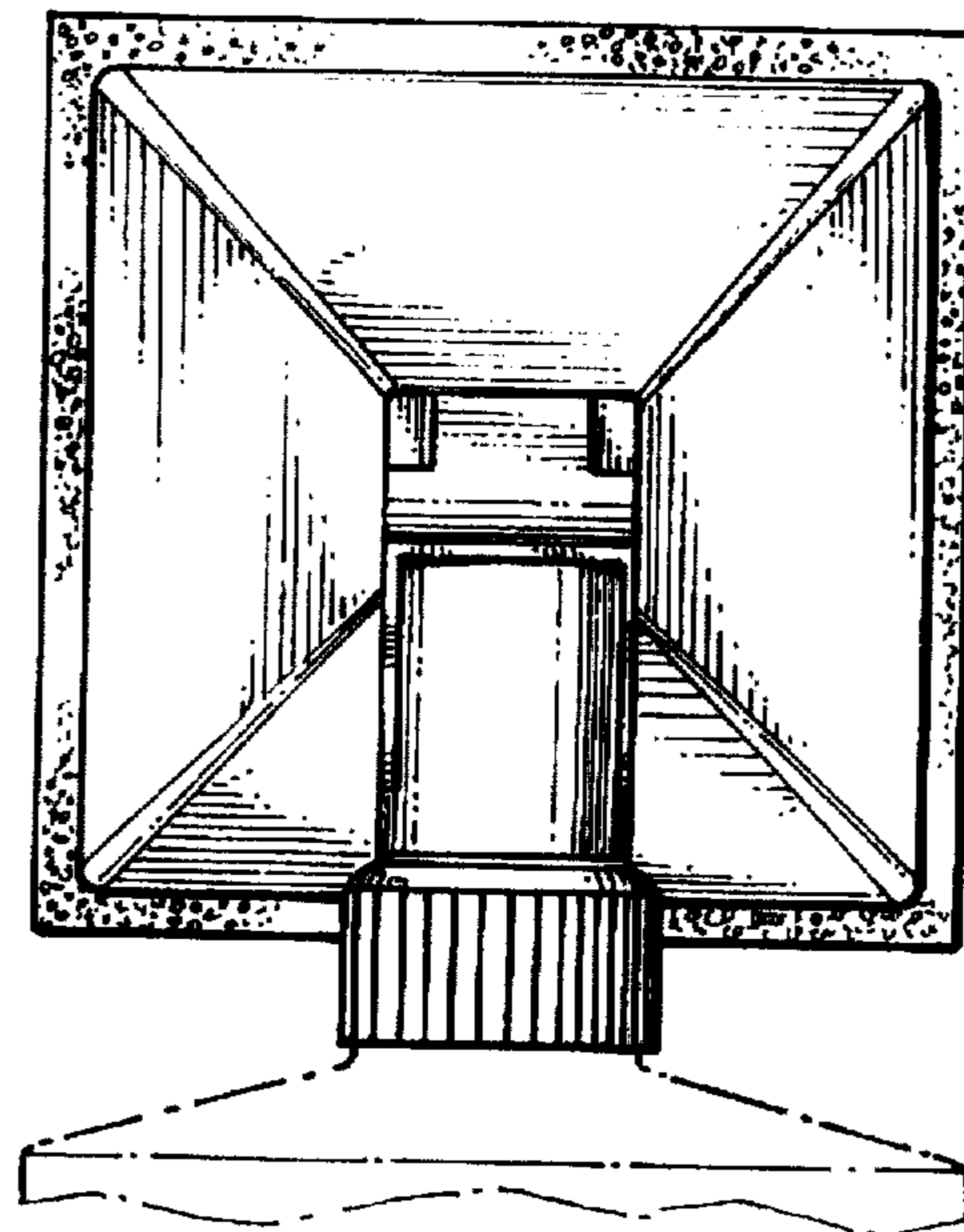


FIG. 5

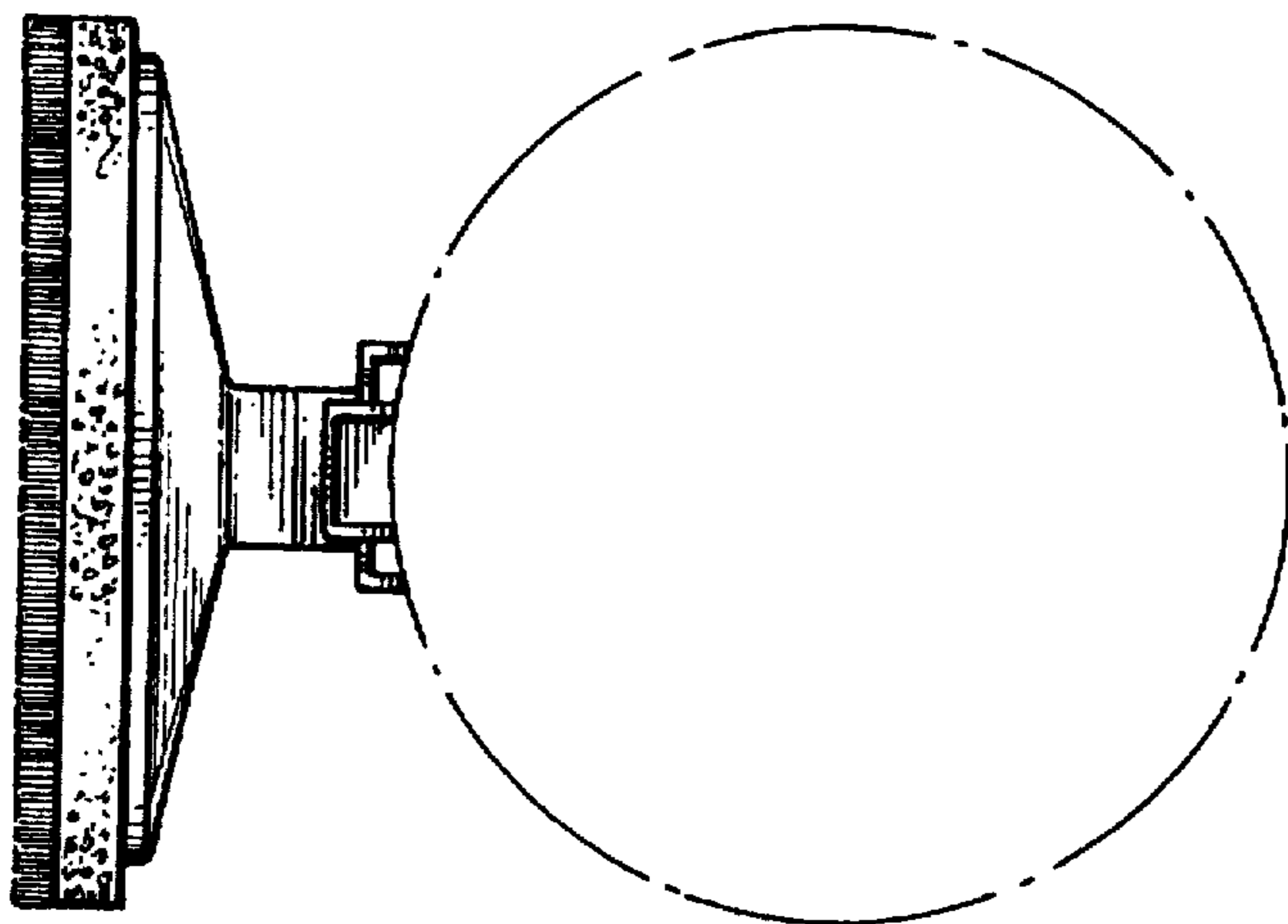


FIG. 6