



US00D386849S

United States Patent [19]
Dehavilland

[11] **Patent Number: Des. 386,849**
[45] **Date of Patent: **Nov. 25, 1997**

[54] **LIQUID APPLICATOR**
[75] **Inventor: Lesley M. Dehavilland, Olathe, Kans.**
[73] **Assignee: Medi-Flex Hospital Products, Inc.,
Overland Park, Kans.**
[**] **Term: 14 Years**

3,768,916	10/1973	Avery	401/132
3,774,609	11/1973	Schwartzman	128/269
4,183,684	1/1980	Avery, Jr.	401/133
4,391,013	7/1983	Jenssen	15/244.1
4,475,835	10/1984	Verboom et al.	401/132
4,784,506	11/1988	Koreska et al.	401/132
4,899,739	2/1990	Konishi	128/136
5,147,337	9/1992	Plone	604/306
5,429,678	7/1995	Fany	15/121 X

[21] **Appl. No.: 57,317**
[22] **Filed: Jul. 23, 1996**
[51] **LOC (6) Cl. 08-05**
[52] **U.S. Cl. D32/40; D32/52; D4/137**
[58] **Field of Search D32/40, 35, 43;
D28/63; 15/244.1, 244.4, 218.1, 220.4,
229.11; 401/137, 138, 139, 140, 203, 132;
D4/137**

FOREIGN PATENT DOCUMENTS

16547 of 1915 United Kingdom .

Primary Examiner—Susan J. Lucas
Assistant Examiner—Cynthia E. Ramirez
Attorney, Agent, or Firm—Shook, Hardy & Bacon LLP

[57] **CLAIM**

The ornamental design for a liquid applicator, as shown and described.

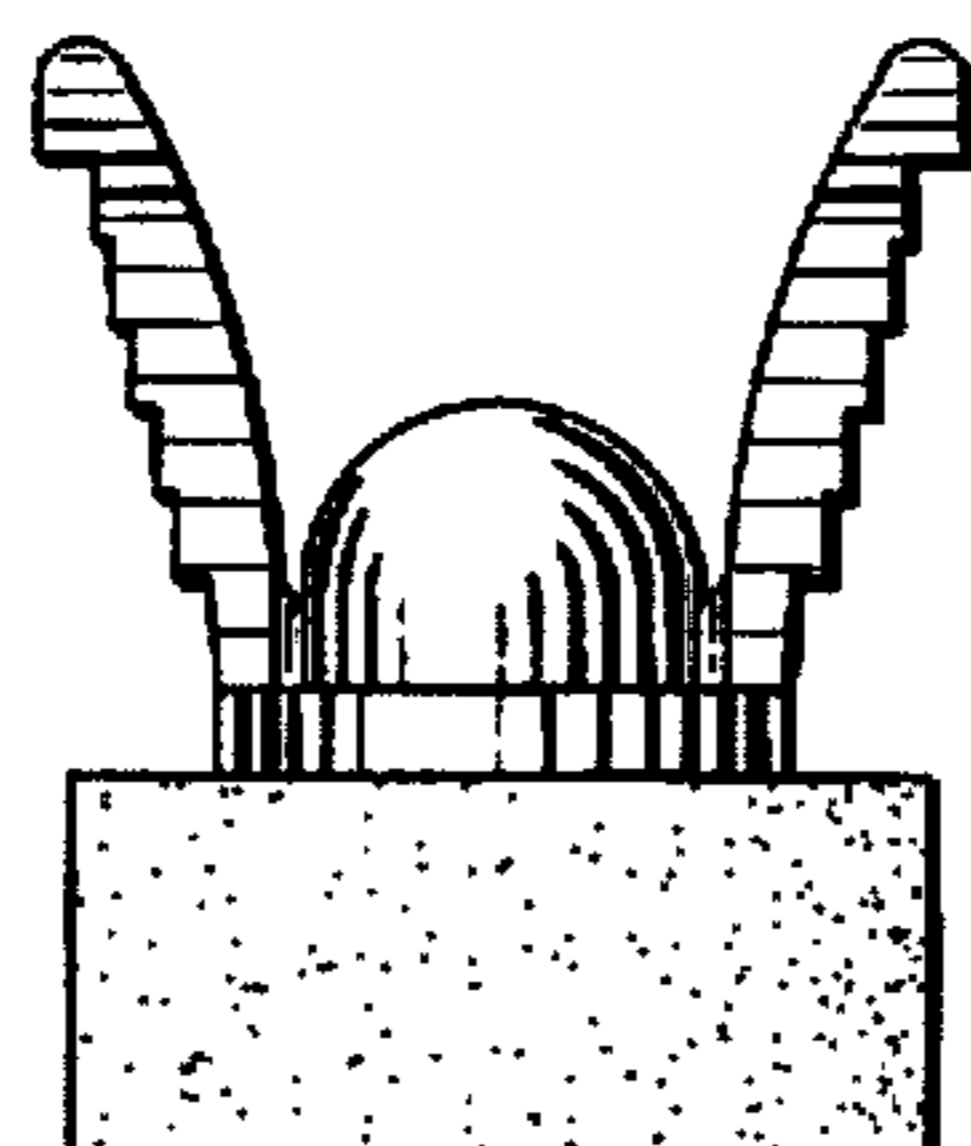
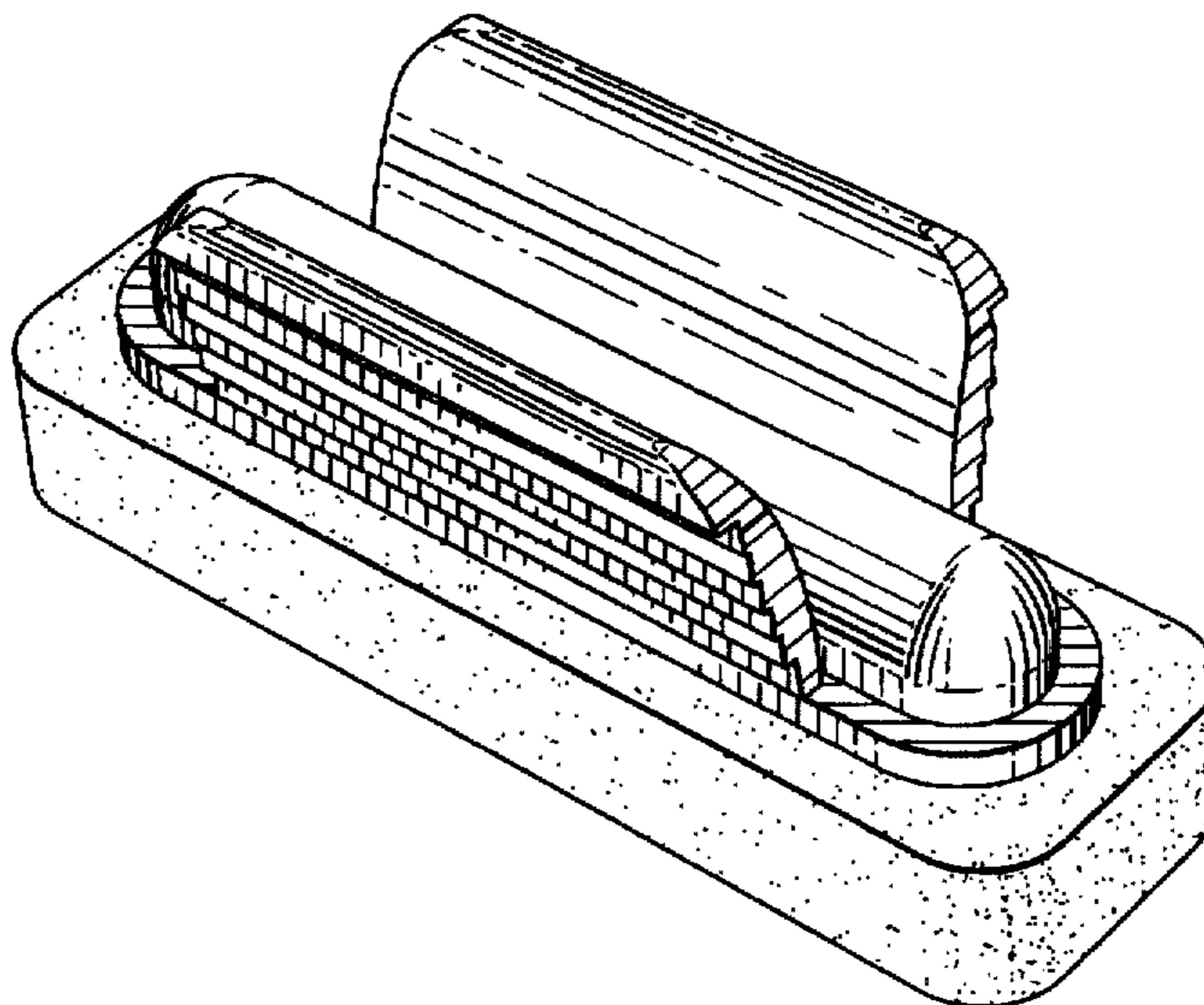
DESCRIPTION

FIG. 1 is a top perspective view thereof;
FIG. 2 is a bottom perspective view thereof;
FIG. 3 is a front elevational view thereof, the rear elevational view being identical thereto;
FIG. 4 is a top plan view thereof; and,
FIG. 5 is a right end elevational view thereof, the left end elevational view being identical thereto.

1 Claim, 1 Drawing Sheet

[56] **References Cited**
U.S. PATENT DOCUMENTS

D. 146,914	6/1947	Grae	D4/137 X
D. 221,822	9/1971	Kieves	D4/137
D. 223,738	5/1972	Stein	D4/137
D. 226,144	1/1973	Brainerd	D4/137 X
D. 245,390	8/1977	Hoyt	D32/52
D. 260,845	9/1981	Friebel	D32/40
1,332,985	3/1920	Jarrett .	
3,366,112	1/1968	Antonik .	
3,466,131	9/1969	Arcudi .	



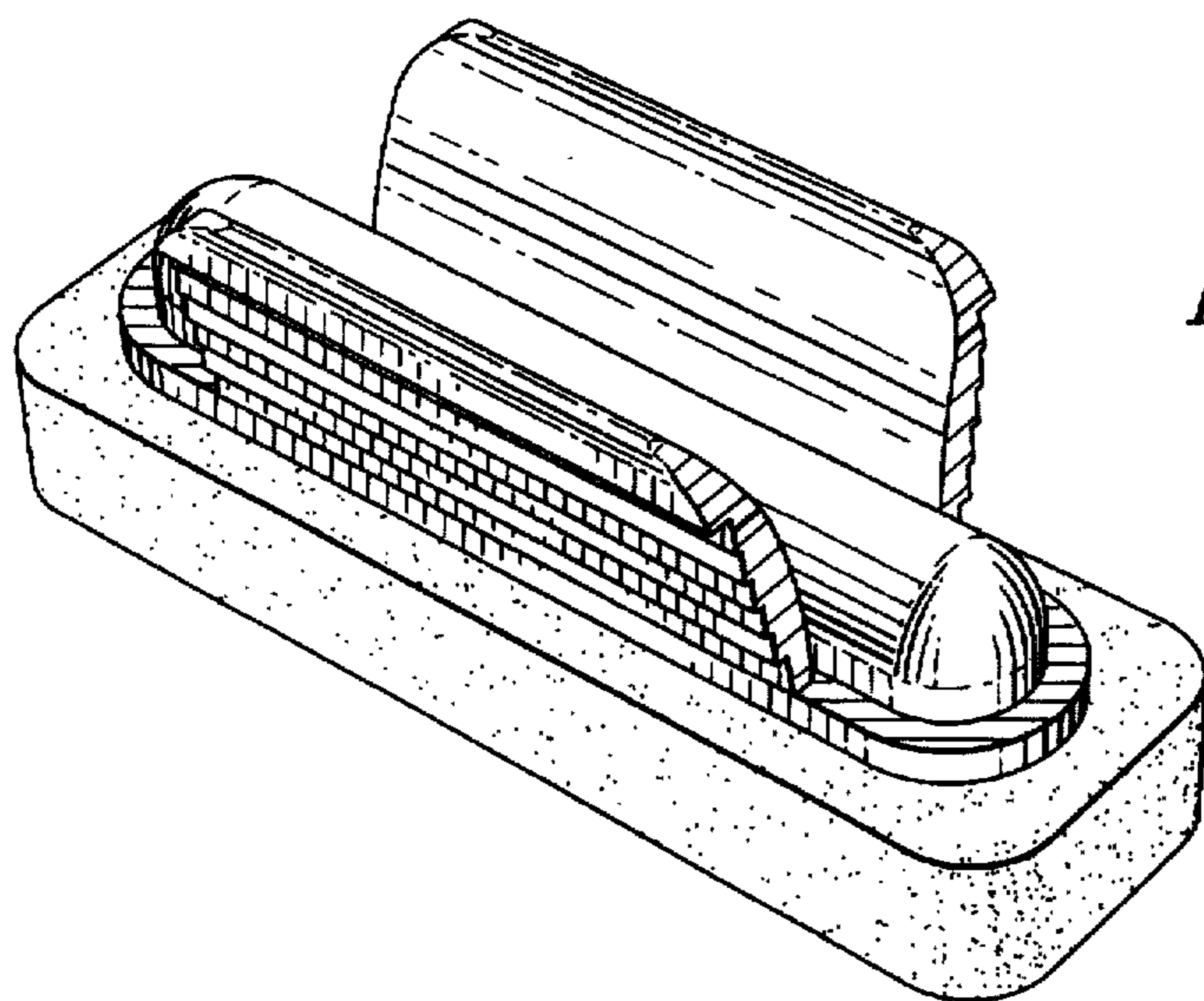


FIG. 1.

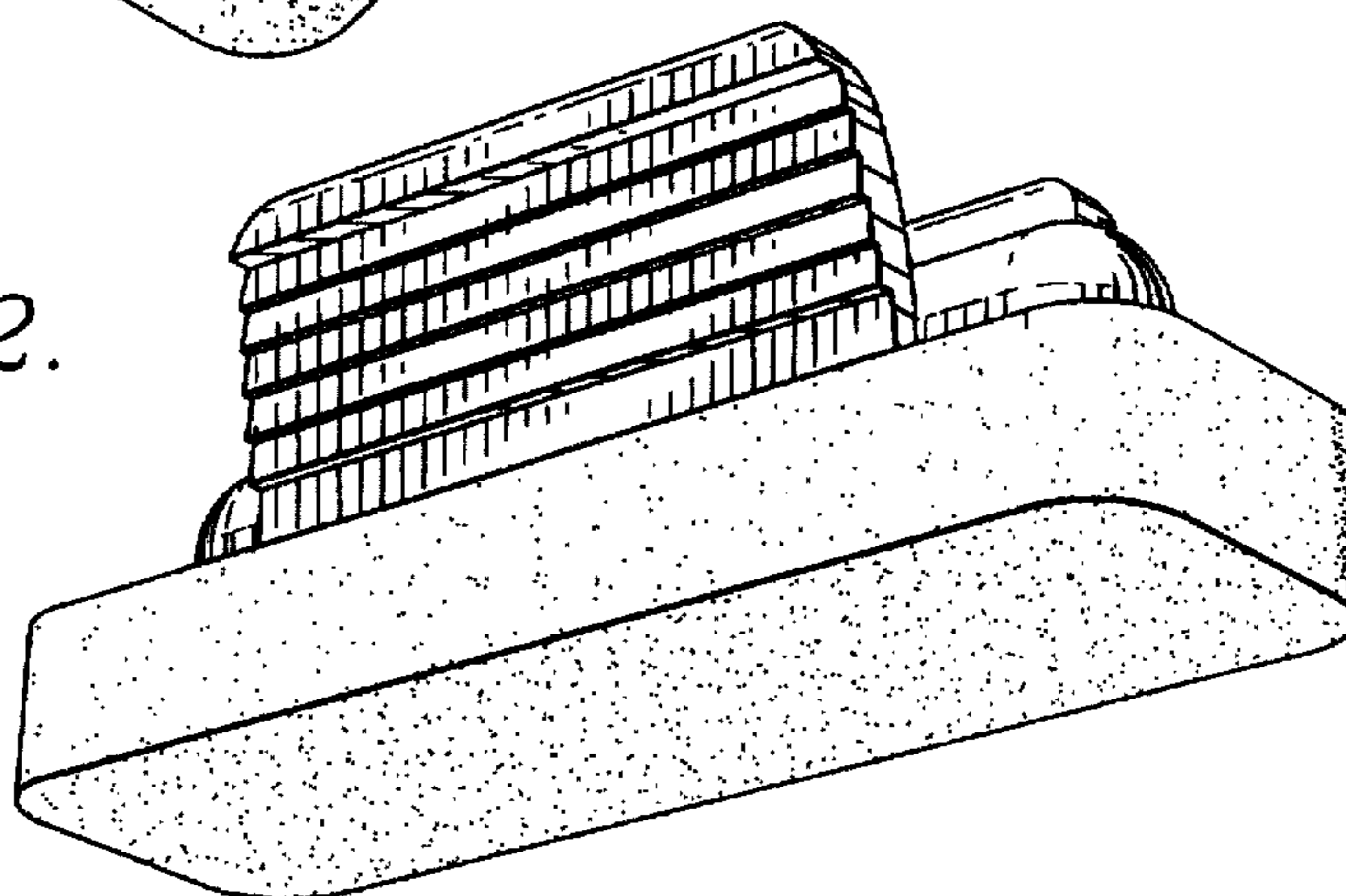


FIG. 2.

FIG. 4.

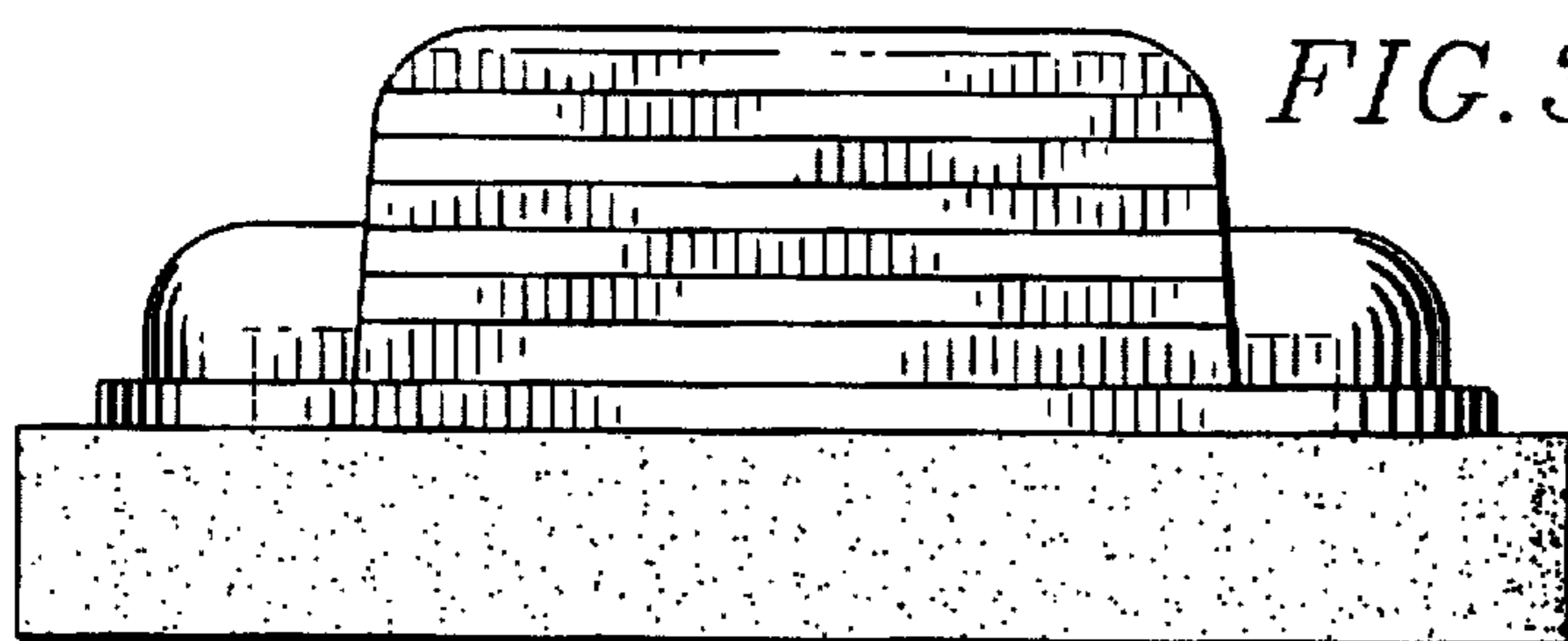
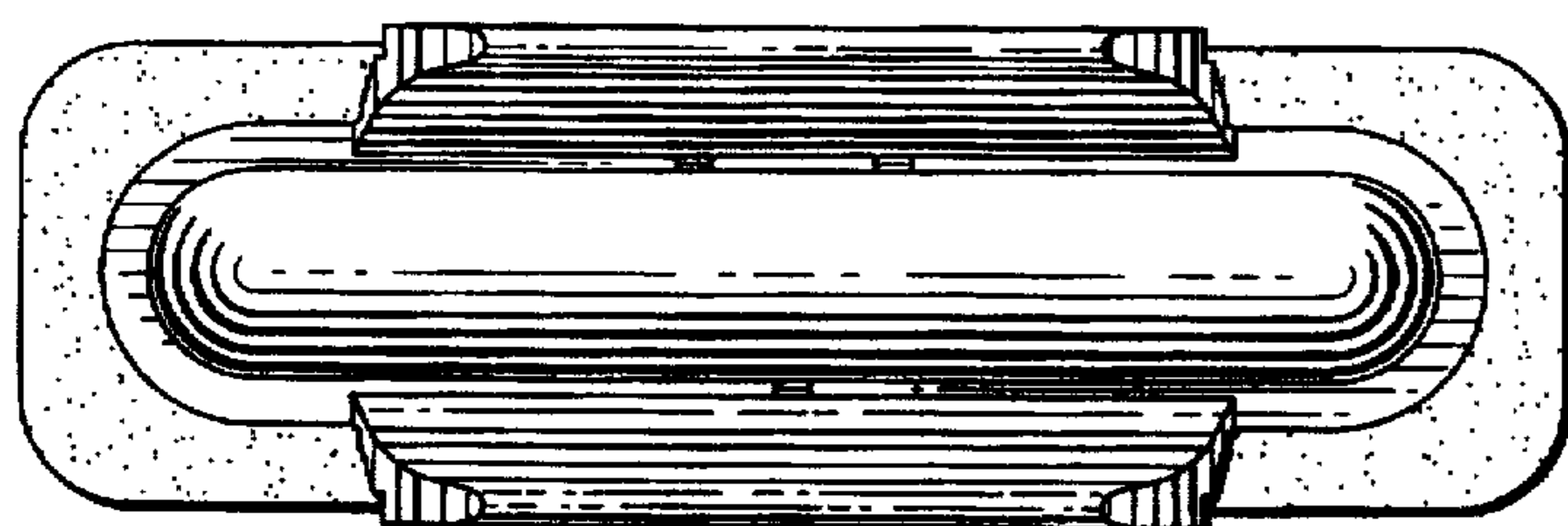


FIG. 3.

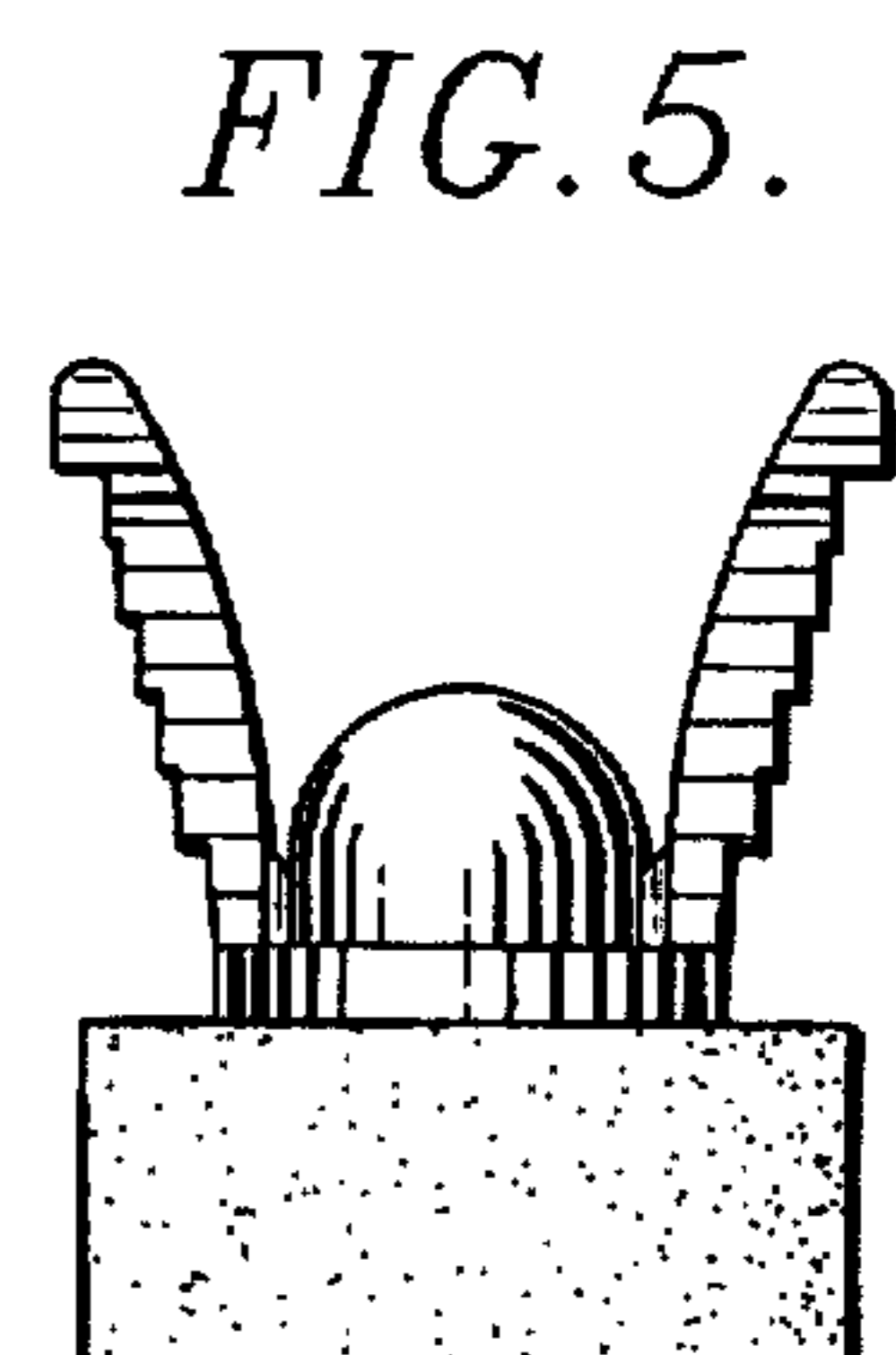


FIG. 5.