



US00D386844S

United States Patent [19] Borysewicz

[11] Patent Number: **Des. 386,844**
[45] Date of Patent: ****Nov. 25, 1997**

[54] **LAWNMOWER WASHING DEVICE**
[76] Inventor: **Louis A. Borysewicz**, P.O. Box 445,
Latham, N.Y. 12110
[**] Term: **14 Years**
[21] Appl. No.: **54,914**
[22] Filed: **May 24, 1996**
[51] LOC (6) Cl. **15-05**
[52] U.S. Cl. **D32/25**
[58] Field of Search **D32/4, 15, 25;**
134/198; 239/200, 268, 548, 556, DIG. 6,
281, 273

4,762,278 8/1988 Taylor 239/281
5,152,459 10/1992 Boeh 239/273

Primary Examiner—Sandra L. Morris
Assistant Examiner—Mitchell I. Siegel
Attorney, Agent, or Firm—Harold H. Dutton, Jr.; Diane F. Liebman

[57] **CLAIM**

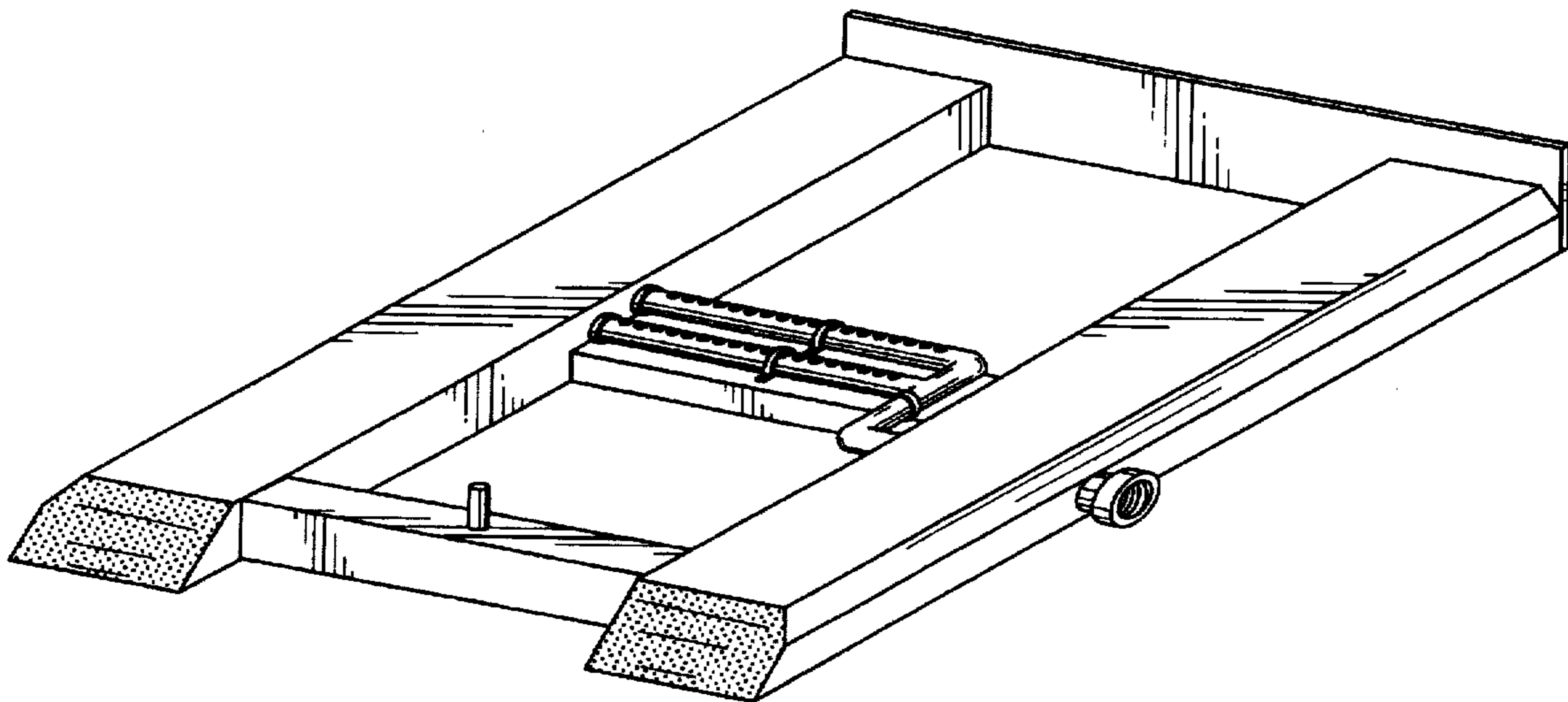
The ornamental design for a lawnmower washing device, as shown.

DESCRIPTION

FIG. 1 is a perspective view of a lawnmower washing device showing my new design;
FIG. 2 is a right side thereof;
FIG. 3 is a left side view thereof;
FIG. 4 is a top view thereof;
FIG. 5 is a bottom view thereof;
FIG. 6 is a front view thereof; and,
FIG. 7 is a rear view thereof.

[56] **References Cited**
U.S. PATENT DOCUMENTS
3,108,608 10/1963 Mahowald 134/198
3,490,212 1/1970 Hengesbach 239/273 X
3,856,028 12/1974 Kehler 134/198

1 Claim, 5 Drawing Sheets



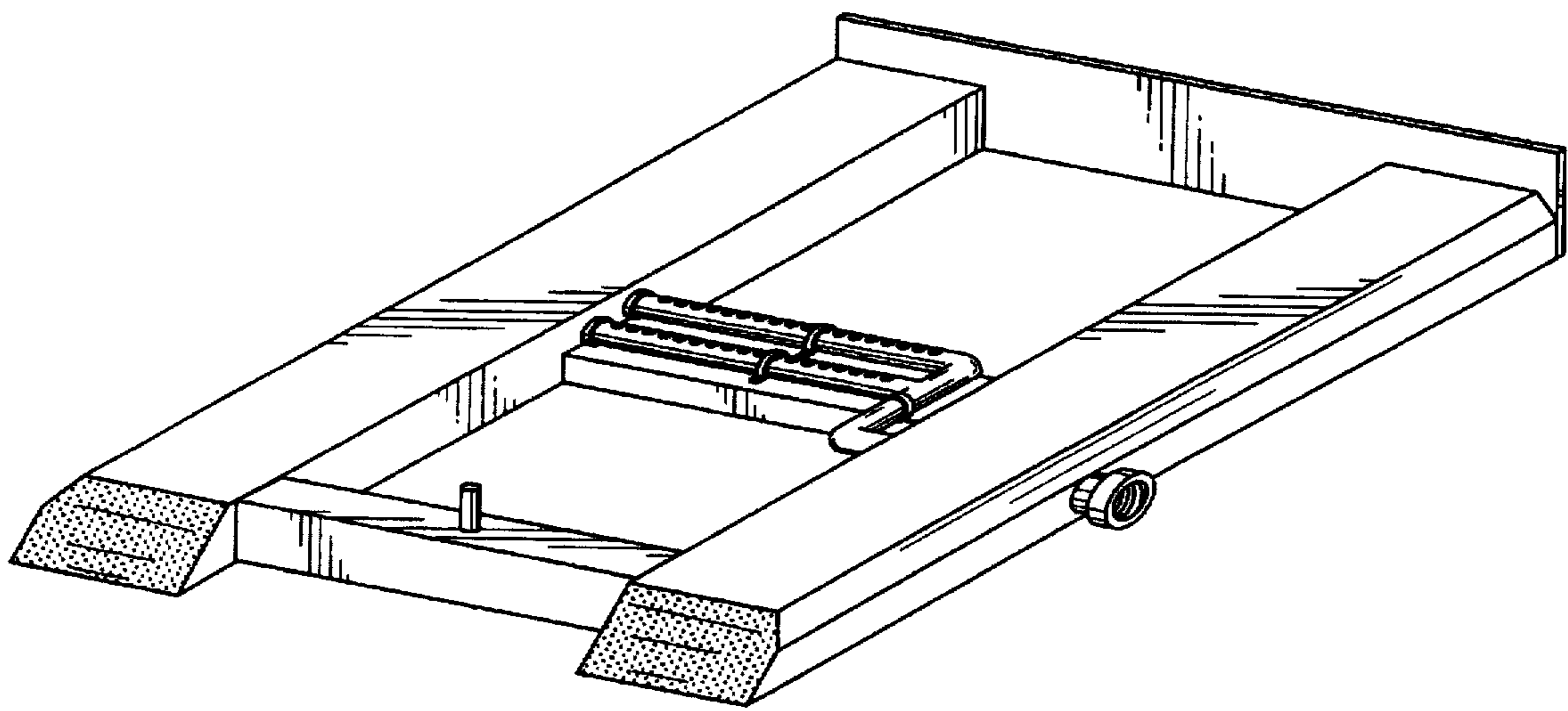


FIG. 1

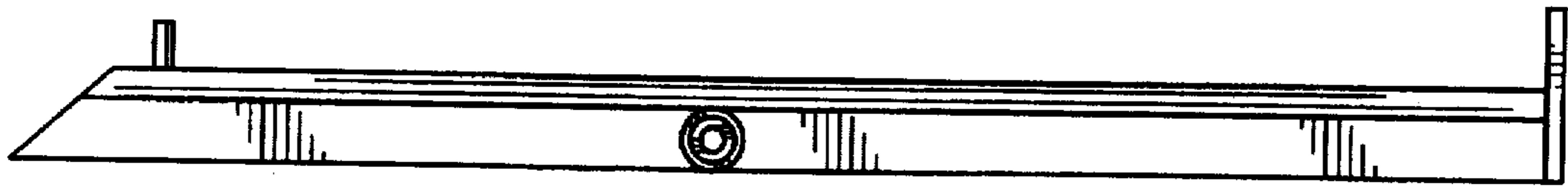


FIG. 2

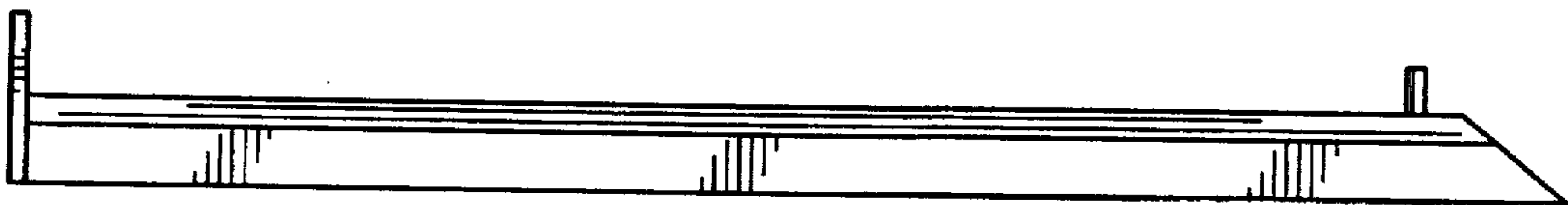


FIG. 3

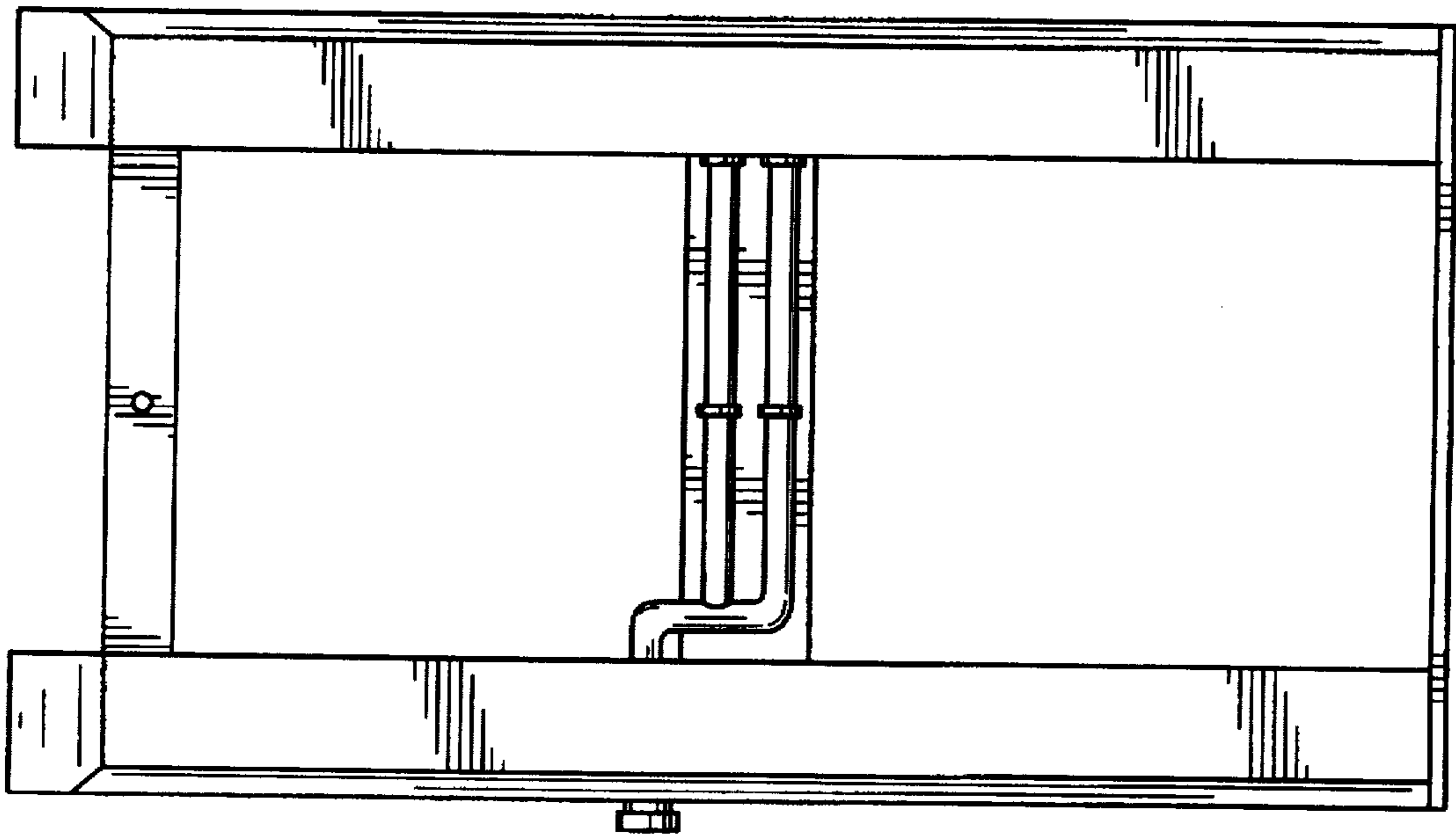


FIG. 4

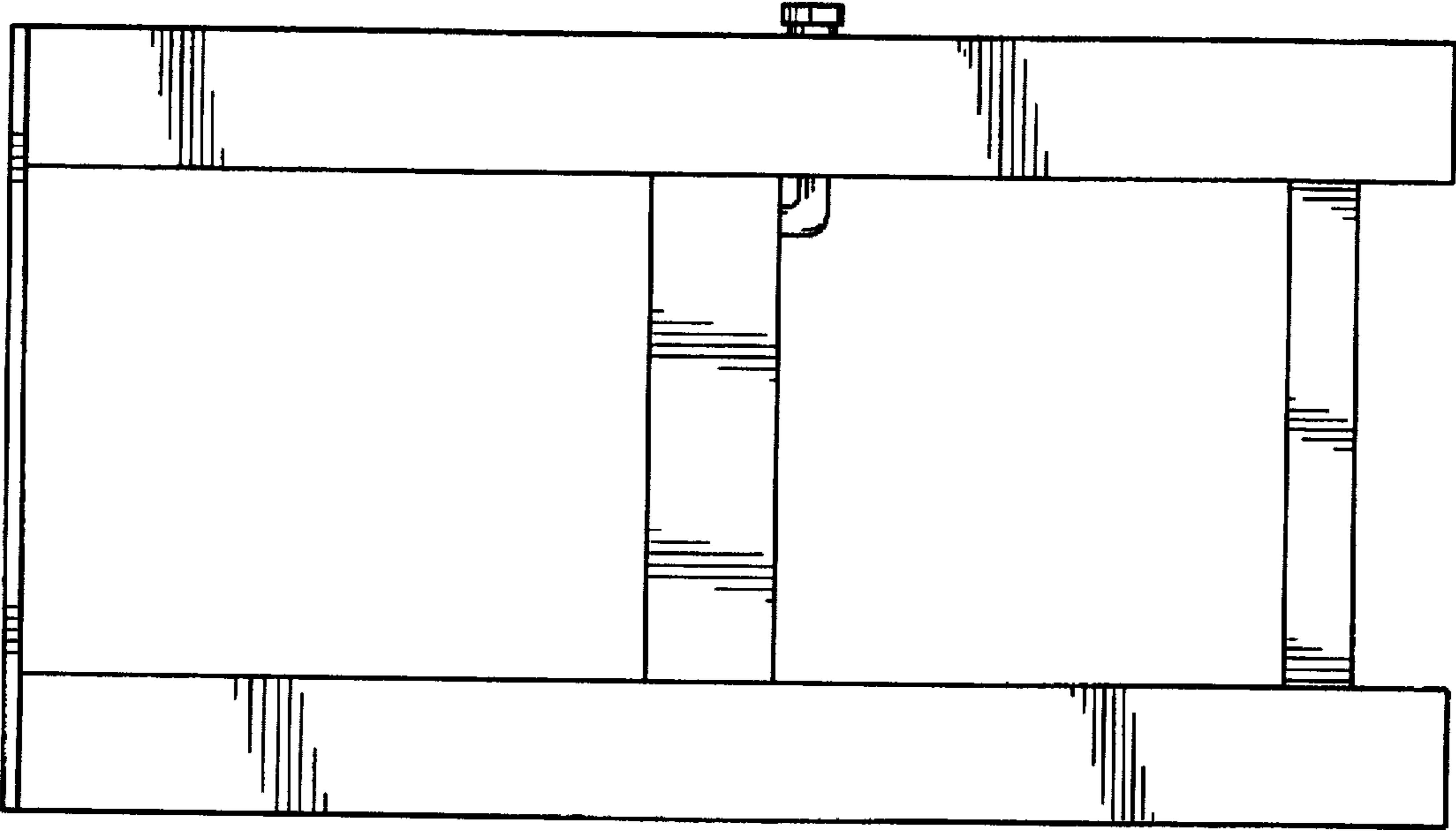


FIG. 5

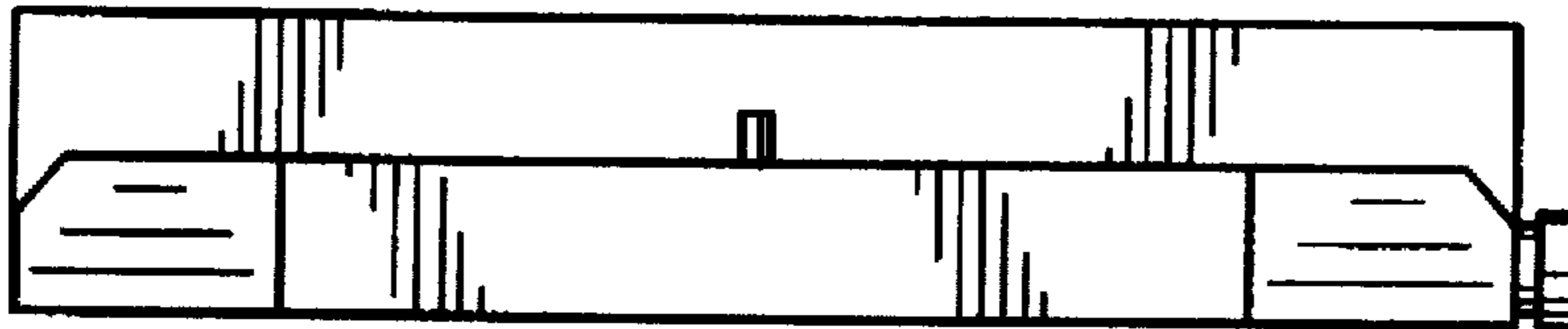


FIG. 6

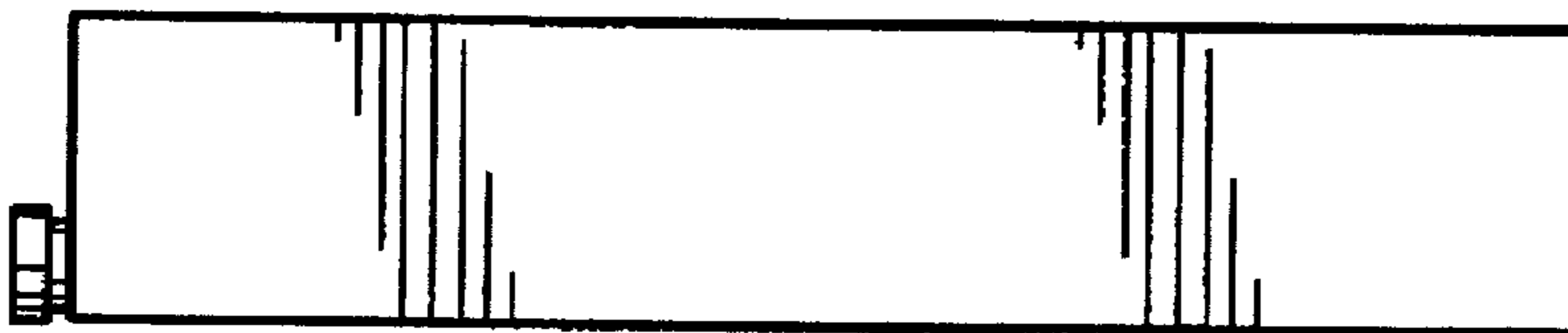


FIG. 7