



US00D386842S

# United States Patent [19]

Hoshino et al.

[11] Patent Number: **Des. 386,842**

[45] Date of Patent: **\*\*Nov. 25, 1997**

[54] **PORTABLE ELECTRIC TOOL VAC**

[75] Inventors: **Kiyoshi Hoshino**, Chesterfield; **Stuart V. Holsten**, O'Fallon; **David R. Hult**, St. Peters, all of Mo.

[73] Assignee: **Emerson Electric Co.**, St. Louis, Mo.

[\*\*] Term: **14 Years**

[21] Appl. No.: **56,511**

[22] Filed: **Jul. 1, 1996**

[51] LOC (6) Cl. .... **15-05**

[52] U.S. Cl. .... **D32/21; D32/23**

[58] Field of Search ..... **D32/1, 21, 24, D32/18; 15/327.1, 327.6, 327.7, 344, 339, 353, 401, DIG. 1, 323, 350**

[56] **References Cited**

**U.S. PATENT DOCUMENTS**

D. 183,192	7/1958	Anderson-Sason et al. ....	D32/24
D. 303,172	8/1989	Goodrich .....	D32/21
D. 304,251	10/1989	Purkapile .....	D32/21
D. 304,871	11/1989	Yuen .....	D32/18
D. 312,902	12/1990	Essex et al. ....	D32/24
D. 318,155	7/1991	Goodrich .....	D32/24

D. 318,544	7/1991	Schoettler .....	D32/24
D. 340,556	10/1993	Berfield et al. ....	D32/21
D. 344,377	2/1994	Thomas .....	D32/23
D. 352,146	11/1994	Wulff .....	D32/24
D. 368,558	4/1996	Wolfe et al. ....	D32/18

*Primary Examiner*—Ruth McInroy  
*Attorney, Agent, or Firm*—Polster, Lieder, Woodruff & Lucchesi

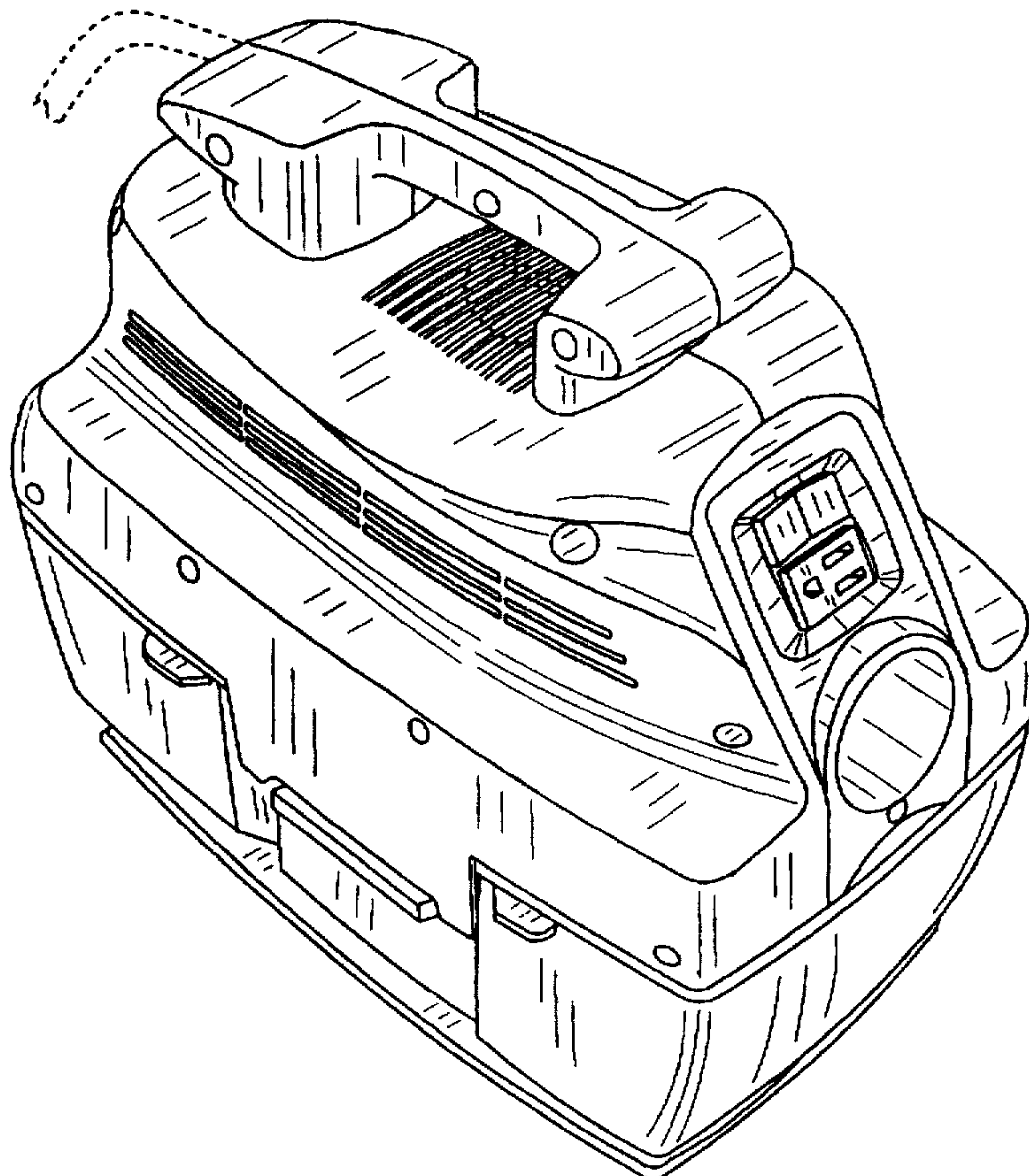
[57] **CLAIM**

The ornamental design for portable electric tool vac, as shown and described.

**DESCRIPTION**

FIG. 1 is a top perspective view of a portable electric tool vacuum showing our new design;  
FIG. 2 is a right end elevational view thereof;  
FIG. 3 is a left end elevational view thereof;  
FIG. 4 is a front elevational view thereof;  
FIG. 5 is a left elevational view thereof;  
FIG. 6 is a top plan view thereof; and,  
FIG. 7 is a bottom plan view thereof.  
The electric cord shown in broken lines in FIGS. 1 and 4-7 is shown for illustrative purposes only and forms no part of the claimed design.

**1 Claim, 3 Drawing Sheets**



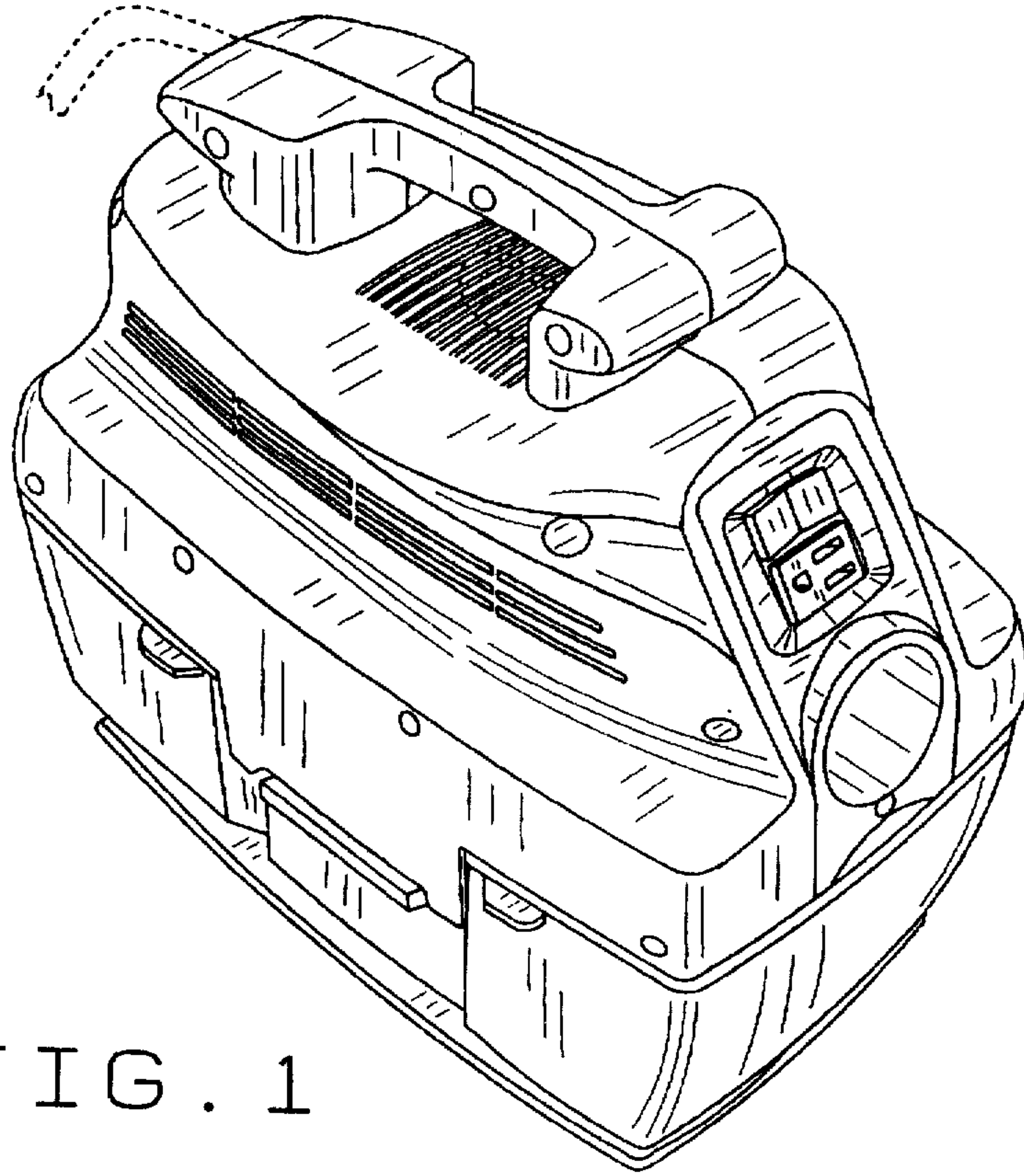


FIG. 1

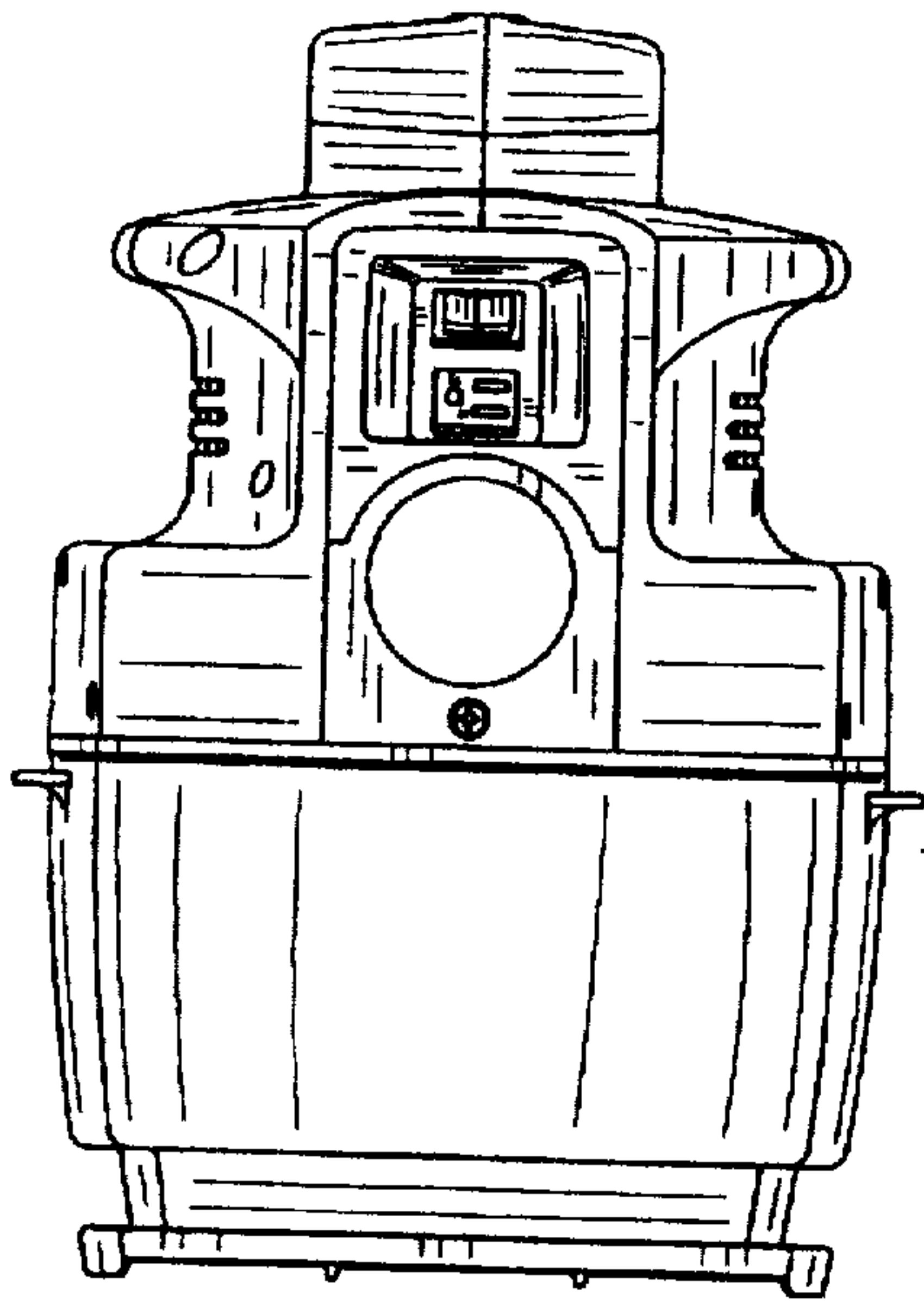


FIG. 2

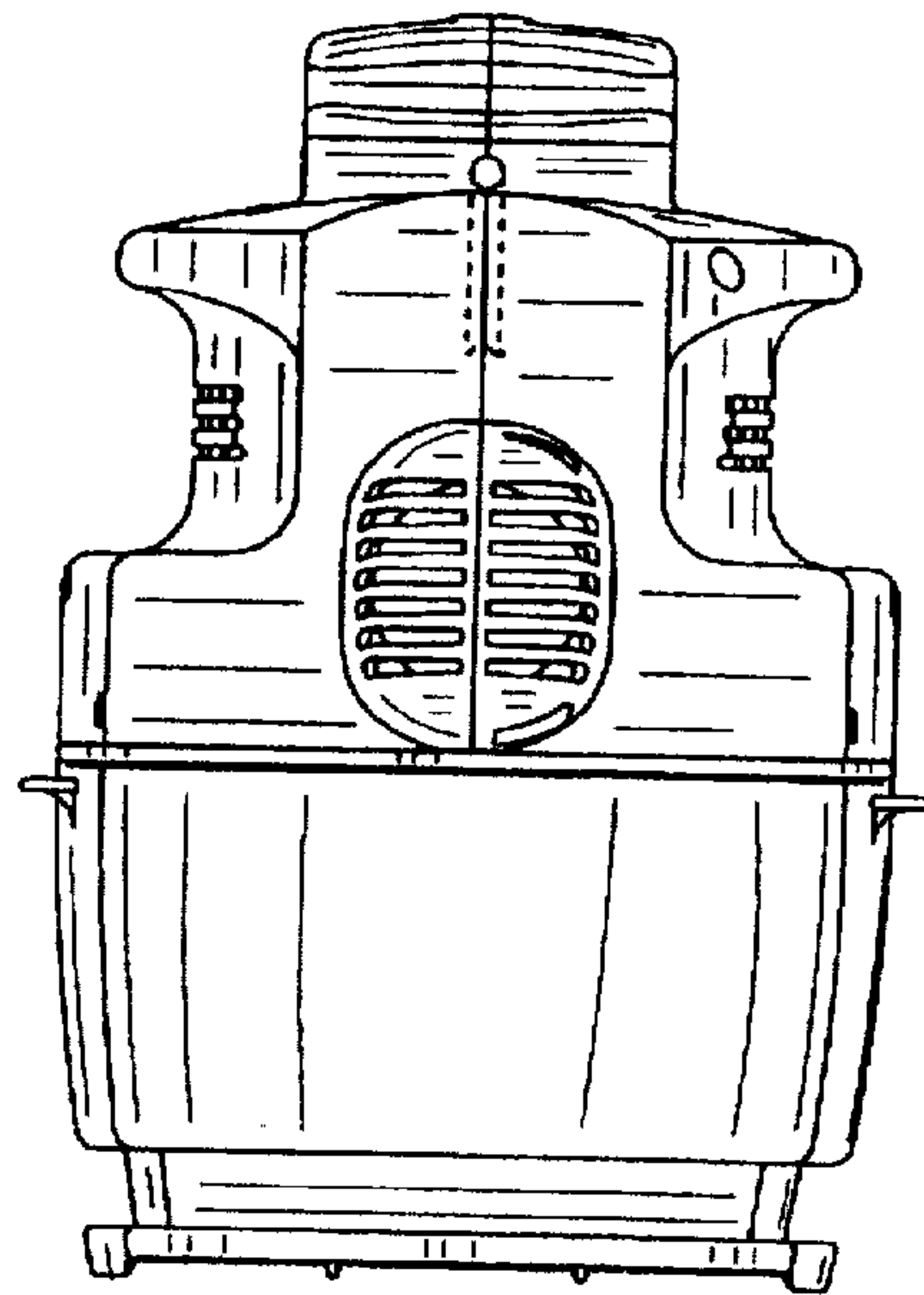


FIG. 3

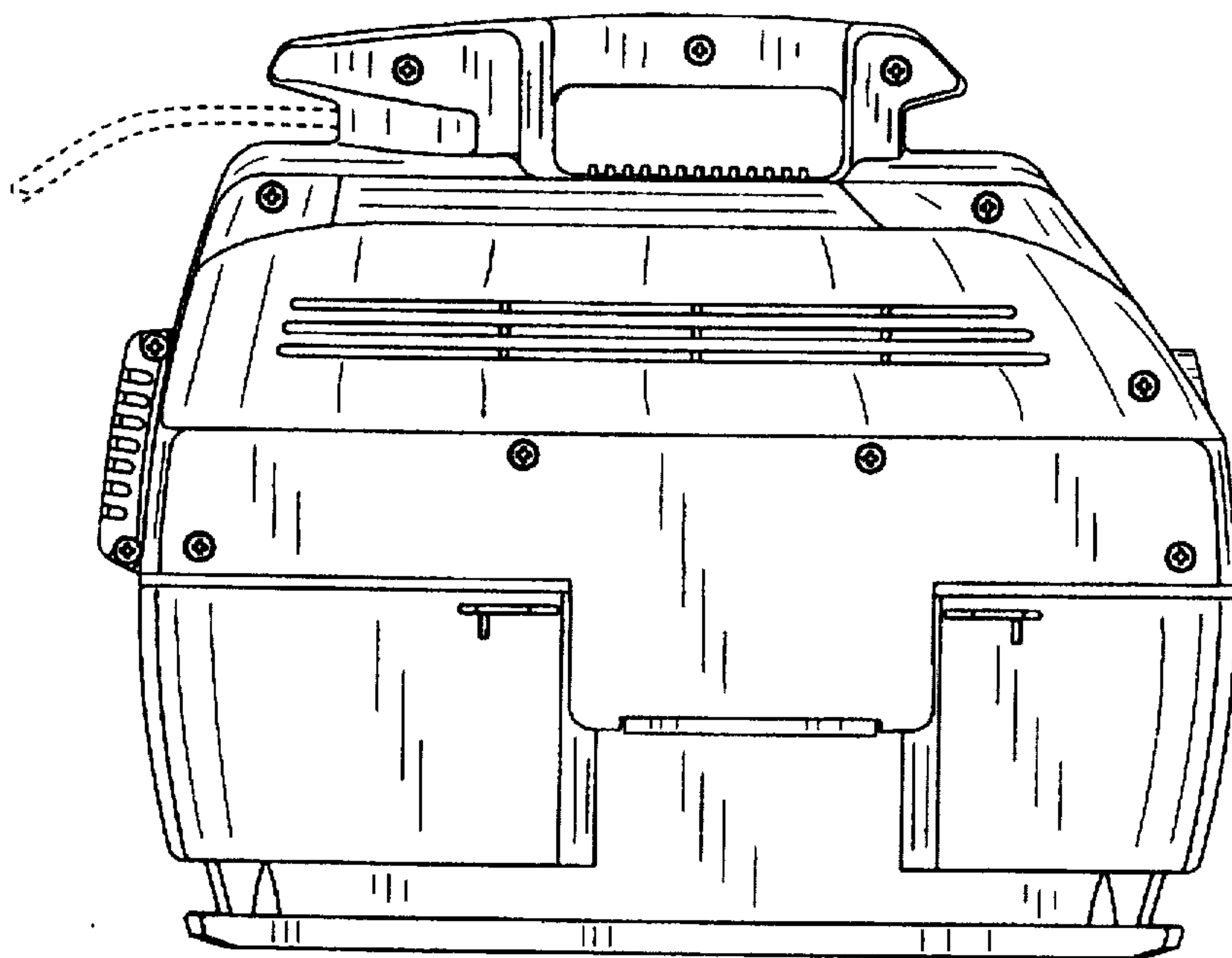


FIG. 4

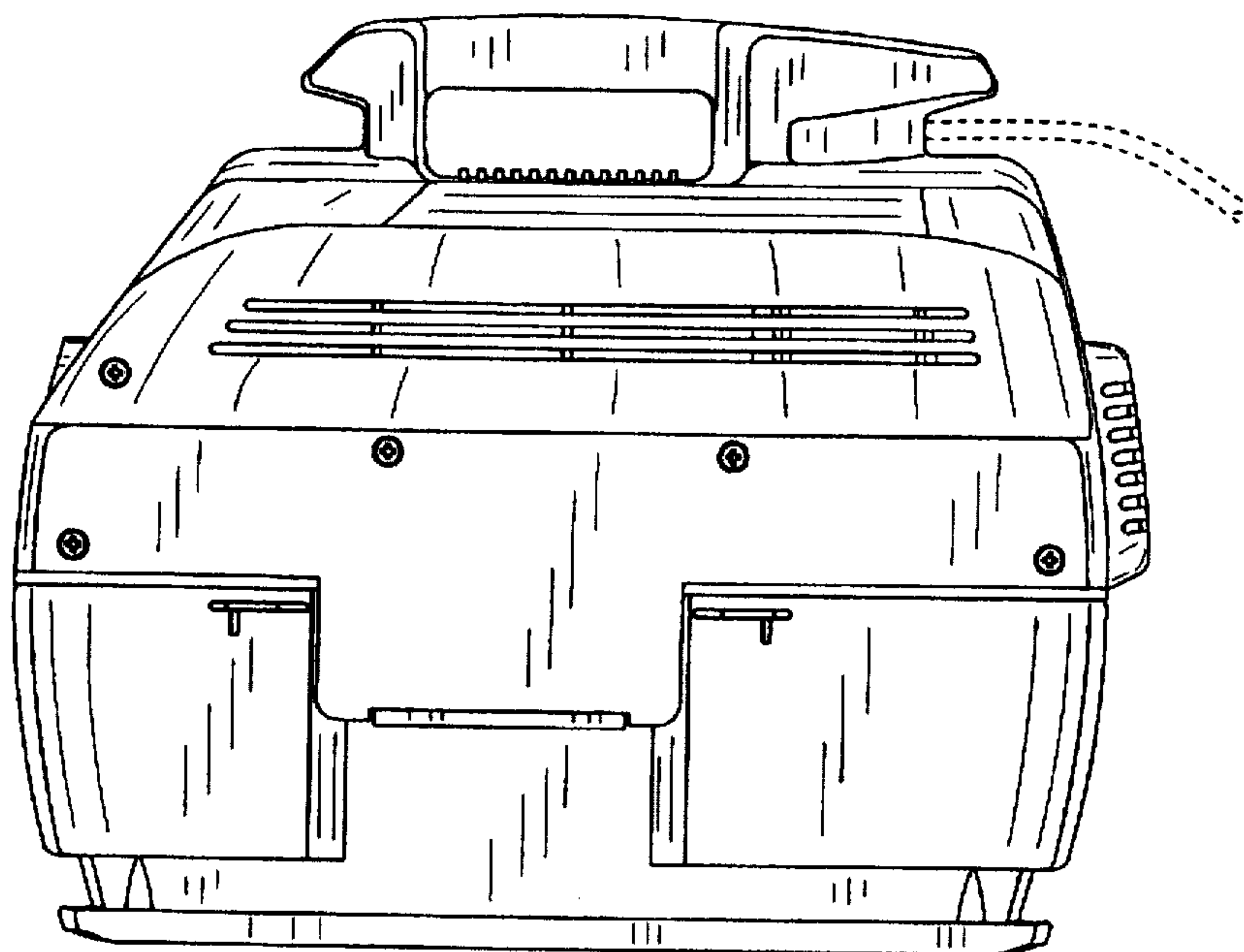


FIG. 5



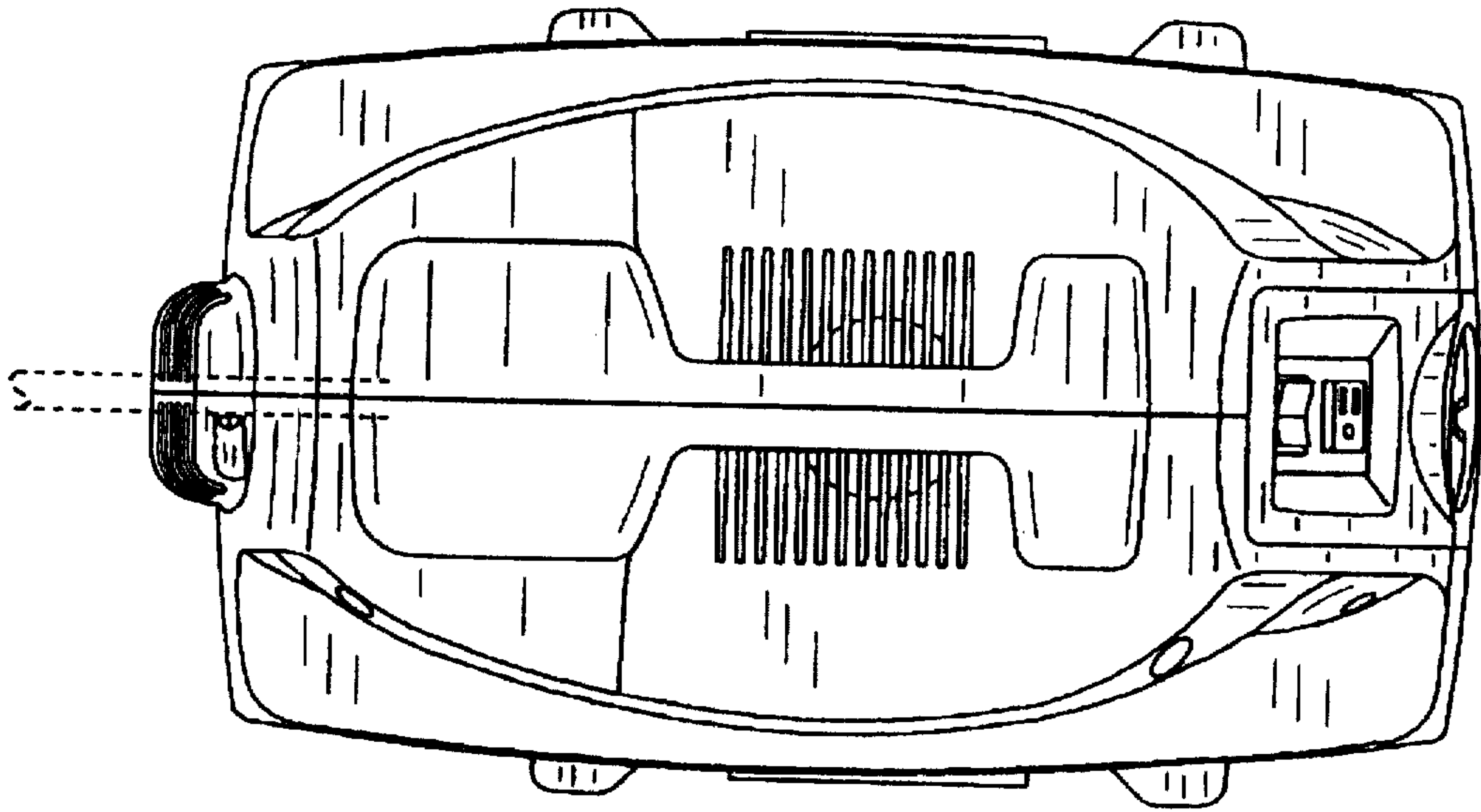


FIG. 6

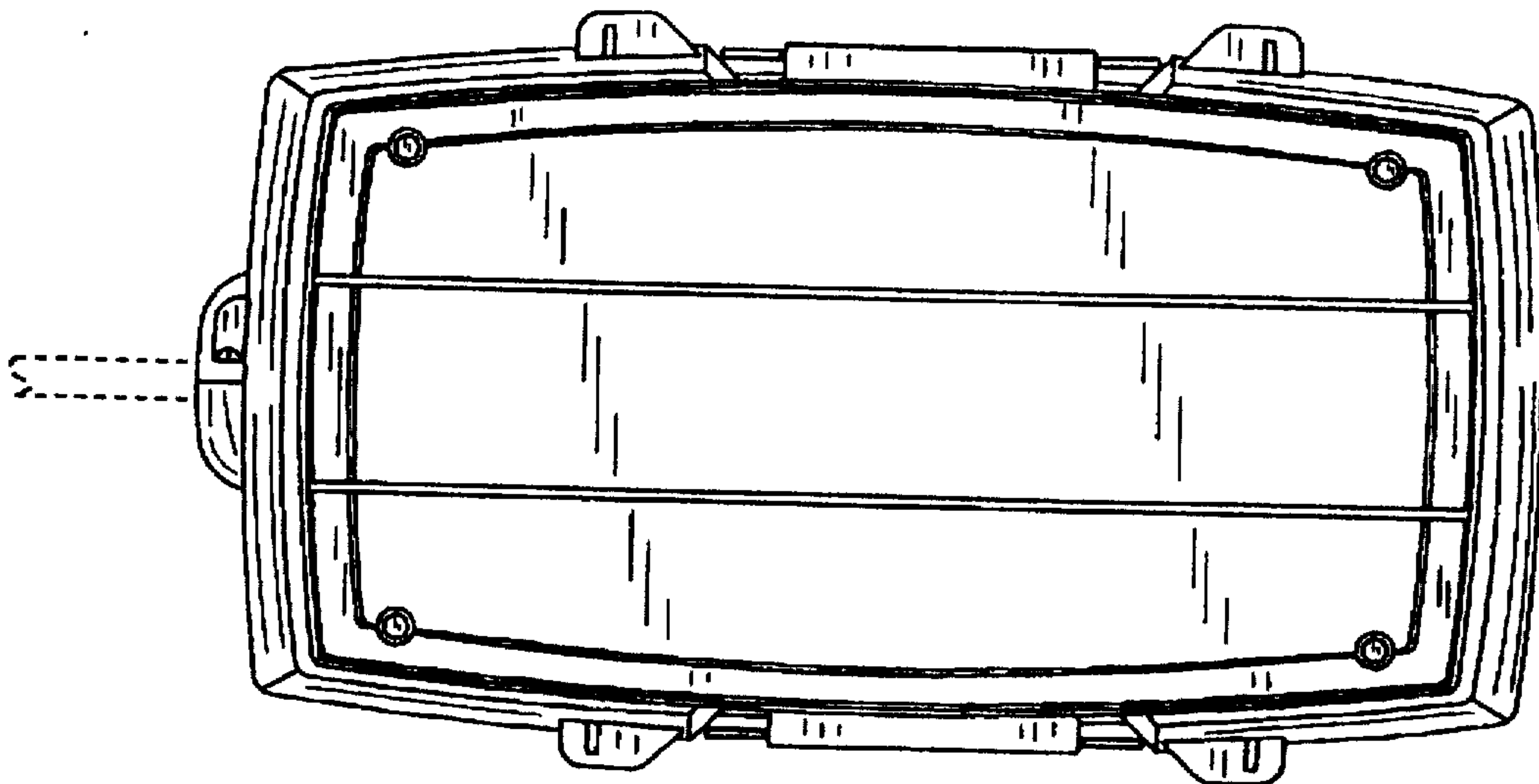


FIG. 7