



US00D386841S

United States Patent [19]

DeMore et al.

[11] Patent Number: **Des. 386,841**

[45] Date of Patent: ****Nov. 25, 1997**

[54] VEGETATION BLOWER APPARATUS

[75] Inventors: **Anthony M. DeMore**, Cockeysville;
Martin P. Gierke, Baltimore; **Robert I. Somers**, Reisterstown, all of Md.; **Peter F. Welch**, Toronto, Canada

[73] Assignee: **Black & Decker**, Newark, Del.

[**] Term: **14 Years**

[21] Appl. No.: **41,290**

[22] Filed: **Jul. 11, 1995**

[51] LOC (6) Cl. **15-05**

[52] U.S. Cl. **D32/15**

[58] Field of Search **D32/15, 16; 15/330, 15/405, 329, 344**

[56] References Cited

U.S. PATENT DOCUMENTS

- D. 319,122 8/1991 Gierke et al. .
- D. 319,714 9/1991 Gierke et al. .
- D. 320,101 9/1991 Gierke et al. .
- D. 346,049 4/1994 Iida .
- 4,288,886 9/1981 Siegler .
- 4,945,604 8/1990 Miner et al. D32/15
- 5,181,369 1/1993 Everts .
- 5,224,239 7/1993 Cathbert, Jr. D32/15

FOREIGN PATENT DOCUMENTS

- 60348 3/1988 Canada .
- 73057 8/1993 Canada .

OTHER PUBLICATIONS

Weed Eater® Brochure, Jul. 1985, No Page Number. "Power Blowers and Blower/Vacs."

Primary Examiner—Ruth McInroy
Attorney, Agent, or Firm—Harness, Dickey & Pierce, P.L.C.

[57] CLAIM

The ornamental design for a vegetation blower apparatus, as shown and described.

DESCRIPTION

FIG. 1 is a front and left side perspective view of a vegetation blower apparatus showing our new design; FIG. 2 is a rear and left side perspective view thereof; FIG. 3 is a left side view thereof; FIG. 4 is a right side view thereof; FIG. 5 is a top view thereof; FIG. 6 is a bottom view thereof; FIG. 7 is a front view thereof; and, FIG. 8 is a rear view thereof.

It will be understood that the broken line shown throughout the drawings is for illustrative purposes only and forms no part of the subject invention.

1 Claim, 4 Drawing Sheets

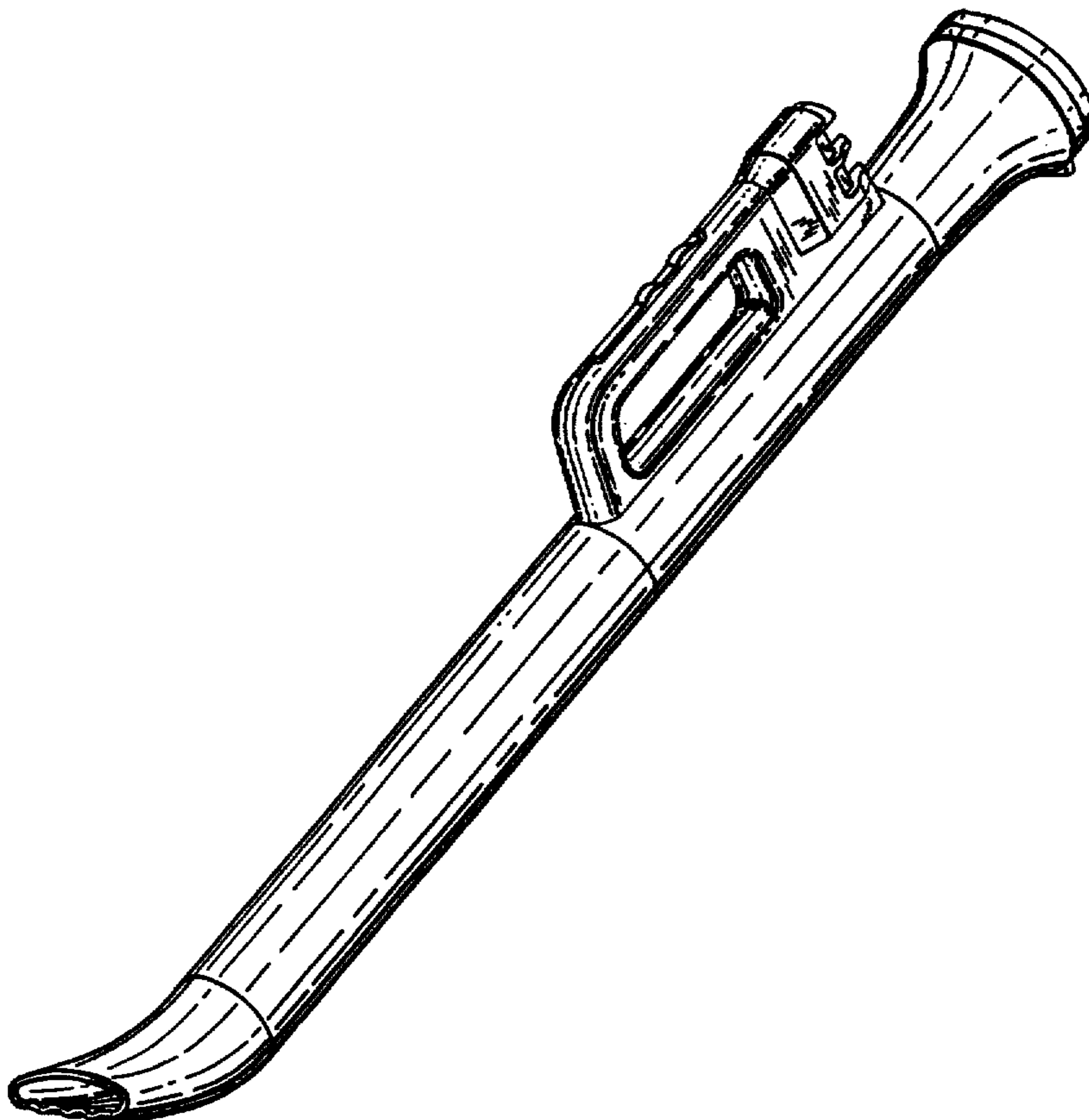


FIG. 1.

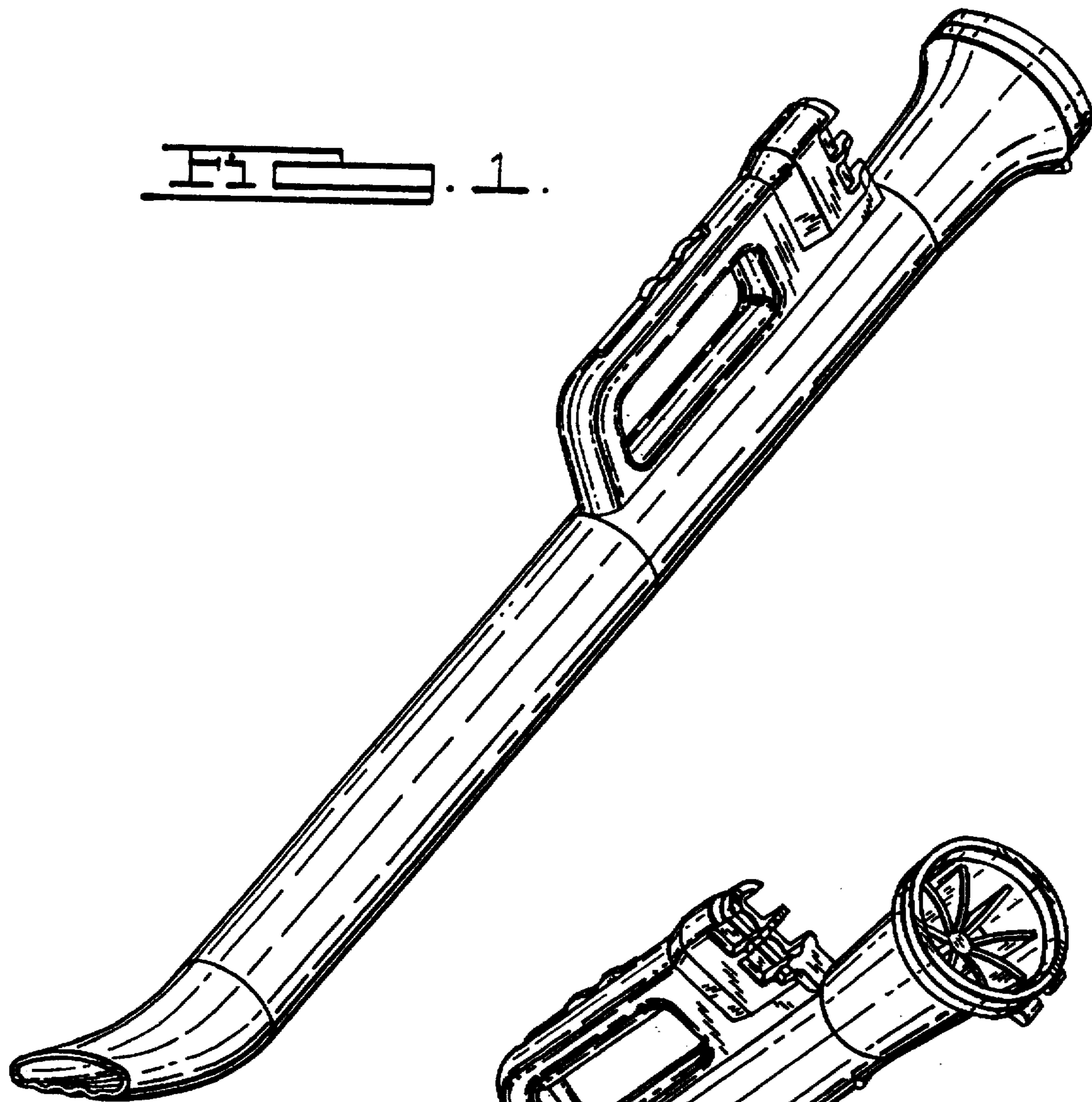


FIG. 2.

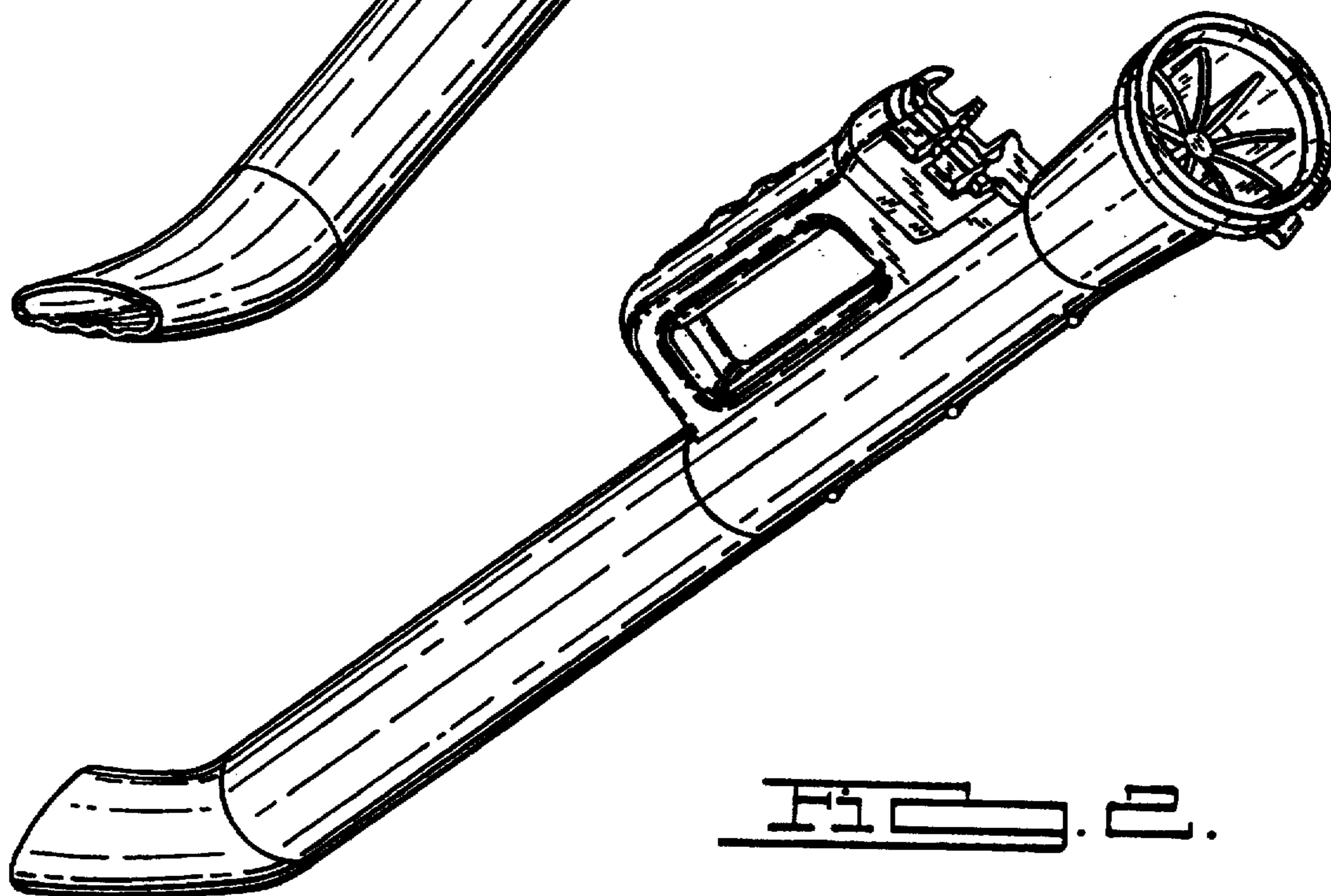


FIG. 2.

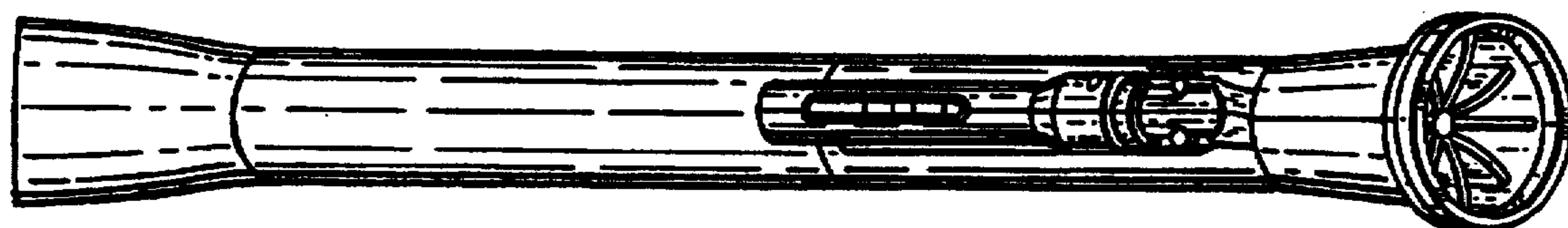
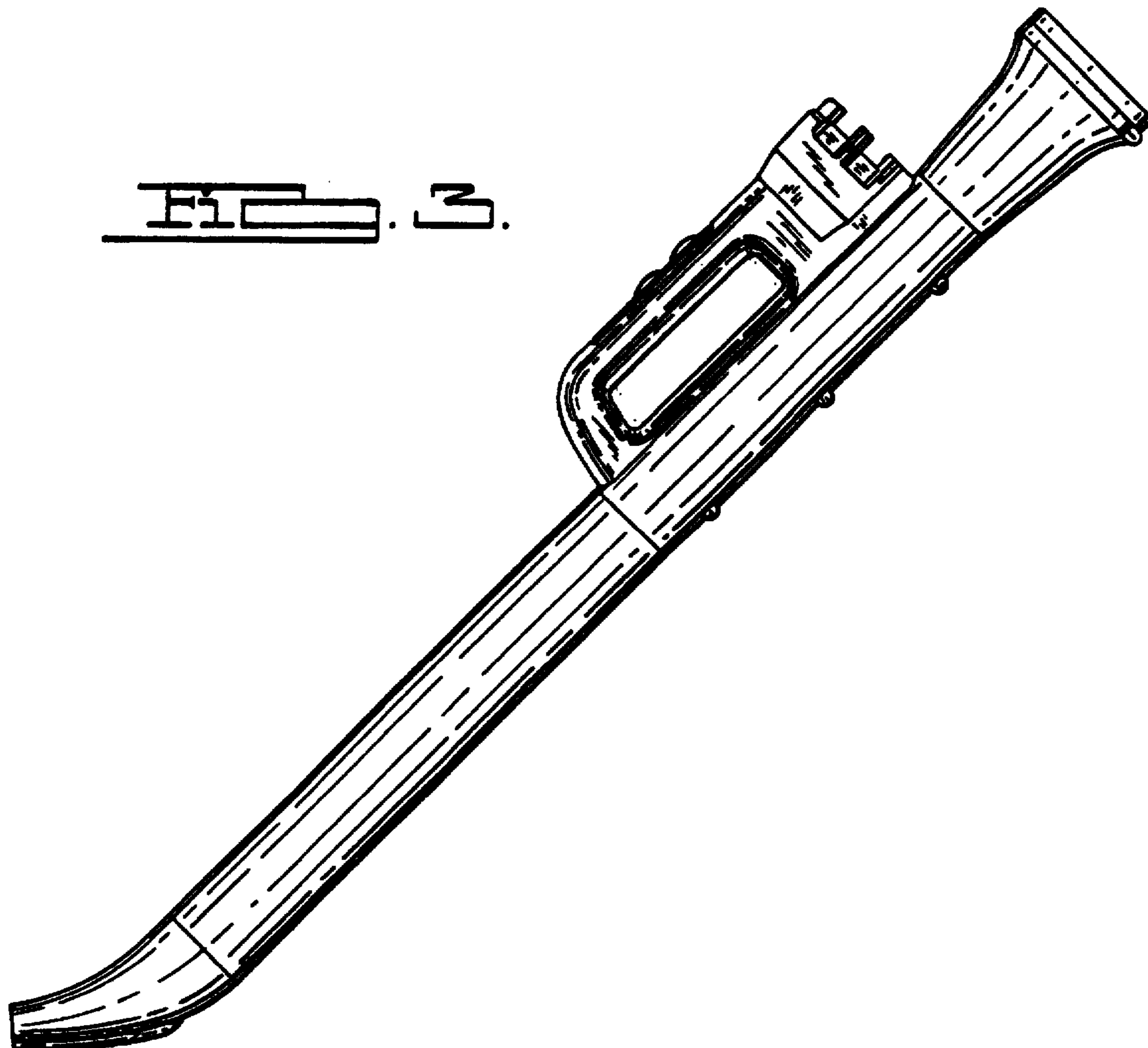


FIG. 3.

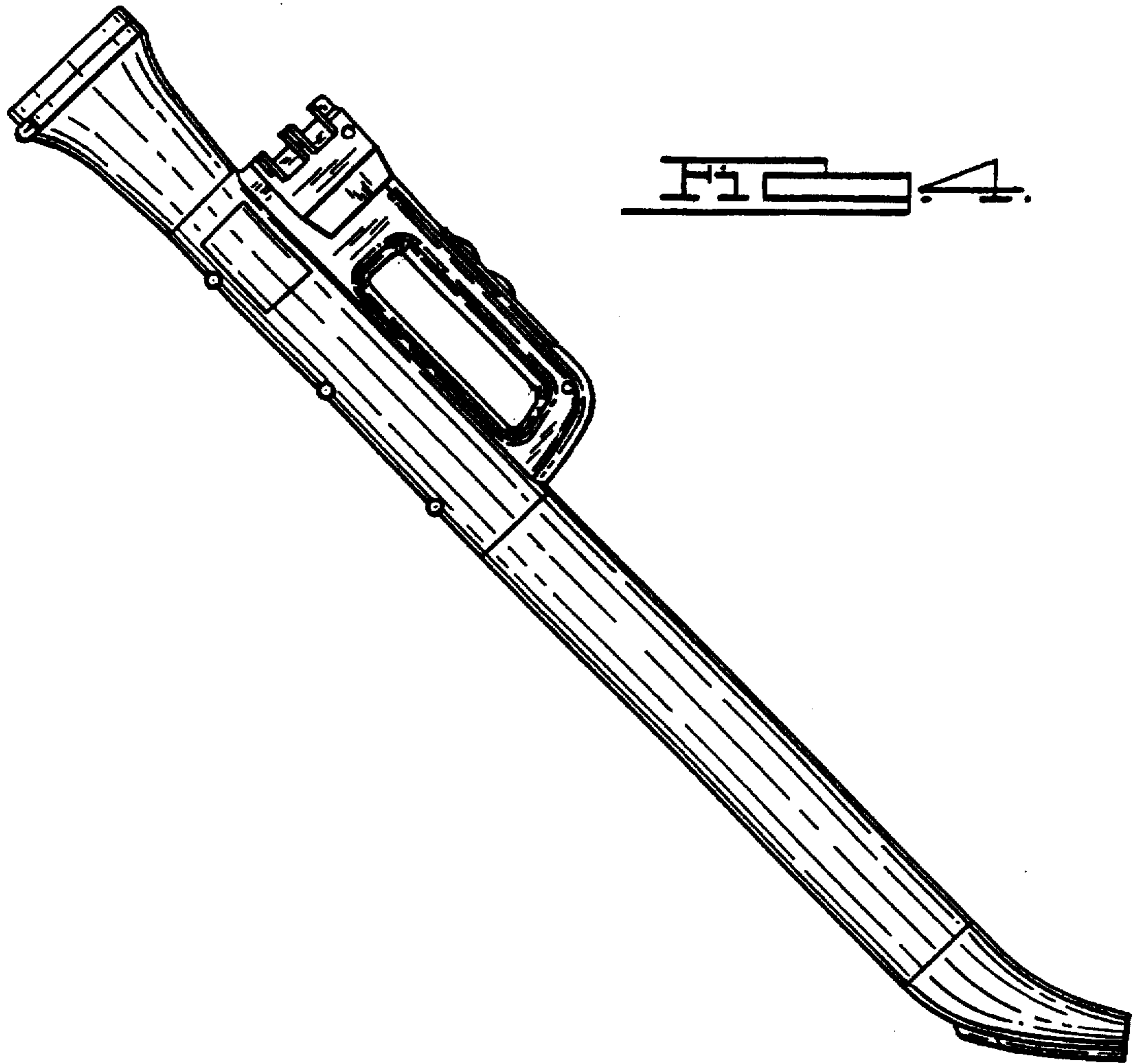


FIG. 4.

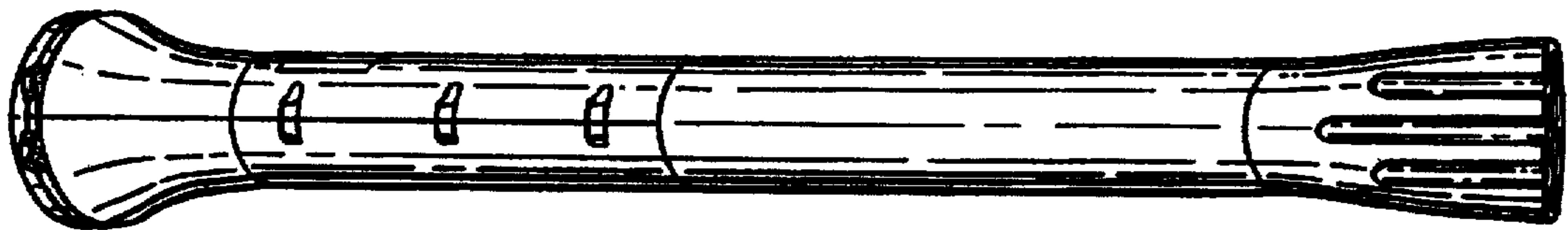


FIG. 5.

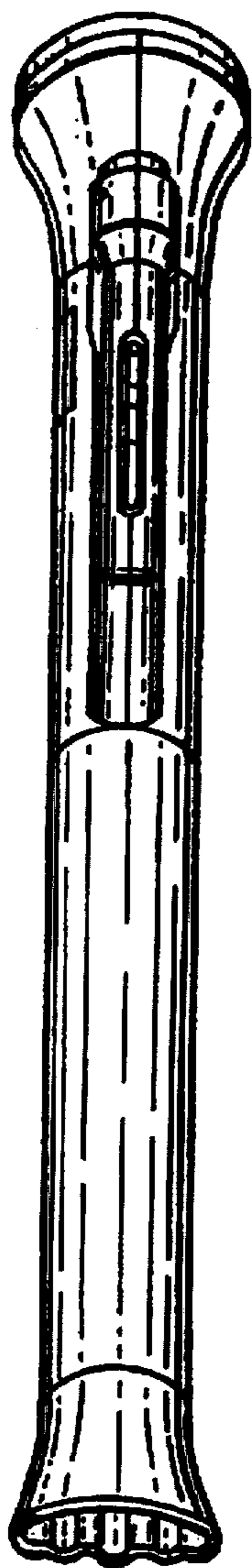


FIG. 2.

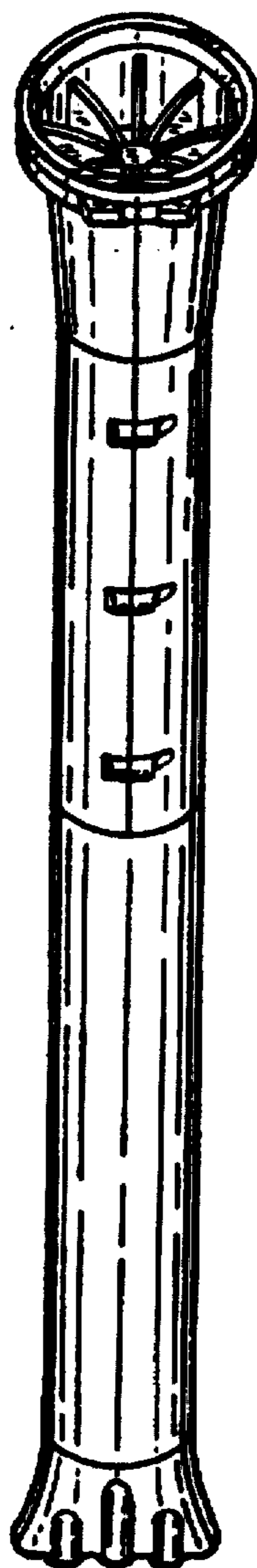


FIG. 3.