



US00D386837S

United States Patent [19] Johnson

[11] Patent Number: **Des. 386,837**
[45] Date of Patent: ****Nov. 25, 1997**

[54] **BIRD FEEDER**
[76] Inventor: **Bruce Johnson**, 2795 Long Oak Dr.,
Germantown, Tenn. 38138-7160
[**] Term: **14 Years**
[21] Appl. No.: **58,489**
[22] Filed: **Aug. 16, 1996**
[51] LOC (6) Cl. **30-03**
[52] U.S. Cl. **D30/124; D30/110**
[58] Field of Search 119/428-429, 52.2-52.3,
119/52.1, 57.8-57.9, 431, 464, 435; D30/110,
124

5,295,455 3/1994 Johnson 119/57.9
5,471,951 12/1995 Collins 119/57.9
5,479,877 1/1996 Demboske 119/52.2
5,546,893 8/1996 Stone 119/464

Primary Examiner—Cathy Anne MacCormac
Attorney, Agent, or Firm—H. Roy Berkenstock

[57] CLAIM

The ornamental design for the bird feeder, as shown.

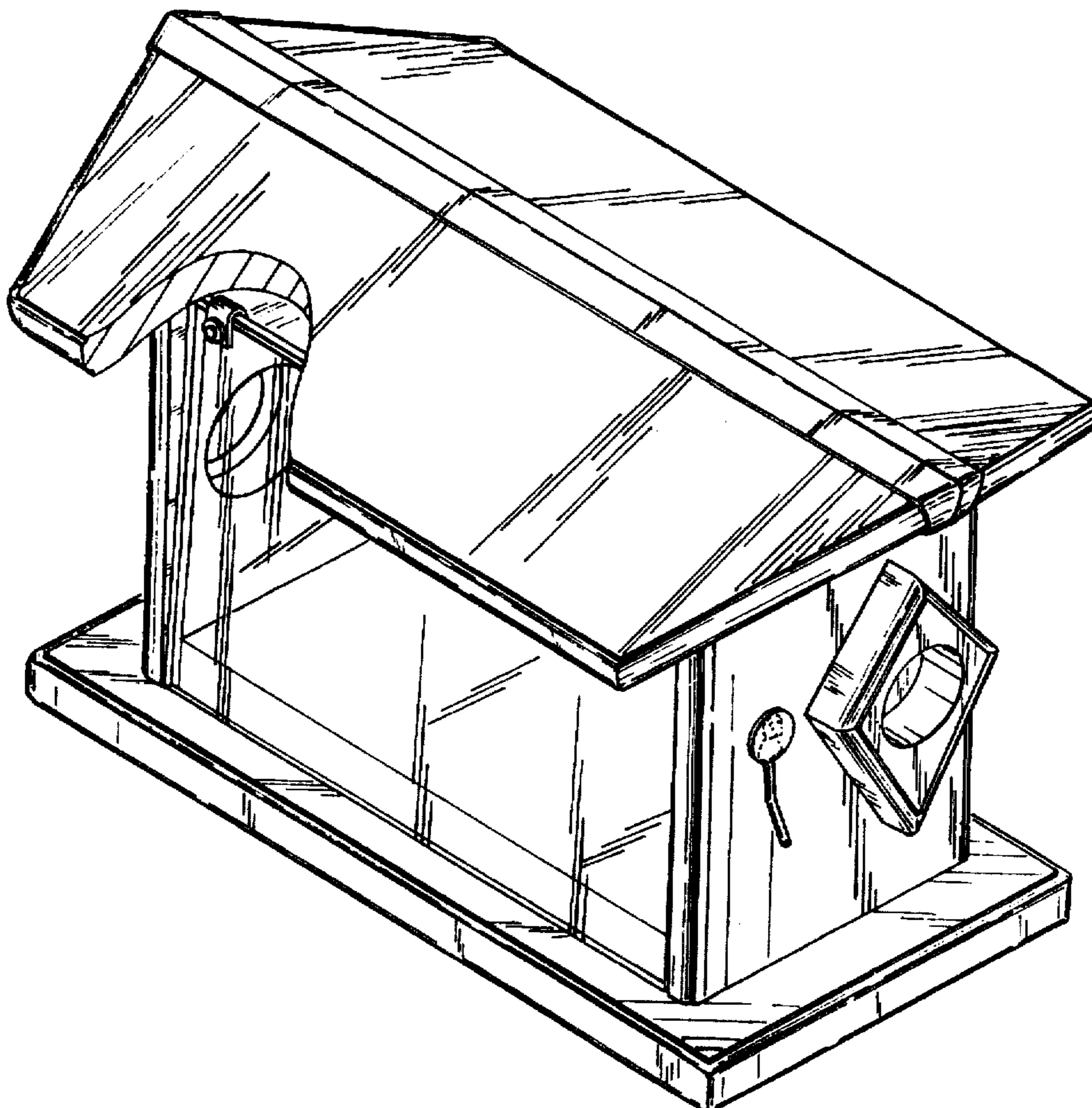
DESCRIPTION

FIG. 1 is a perspective view of a bird house showing my new design, part of the roof is broken away to show the bar and hinge;
FIG. 2 is a left side elevational view of the said "bird feeder;"
FIG. 3 is a right elevational view thereof;
FIG. 4 is a rear elevational view thereof;
FIG. 5 is a front elevational view thereof;
FIG. 6 is a slightly reduced top plan view thereof; and,
FIG. 7 is a slightly reduced bottom plan view thereof.
The broken lines in FIGS. 1 and 5 are for illustrative purposes only and form no part of the claimed design.

[56] References Cited U.S. PATENT DOCUMENTS

| | | | |
|------------|---------|---------------------|----------|
| D. 269,468 | 6/1983 | Babcock et al. | D30/110 |
| D. 299,568 | 1/1989 | Waltemeyer | D30/124 |
| D. 342,349 | 12/1993 | Scheppard | D30/110 |
| 1,166,100 | 12/1915 | White | 119/428 |
| 4,867,104 | 9/1989 | Vandiver | 119/57.9 |
| 4,928,631 | 5/1990 | Smith | 119/428 |
| 5,078,098 | 1/1992 | Ragen | 119/52.2 |

1 Claim, 5 Drawing Sheets



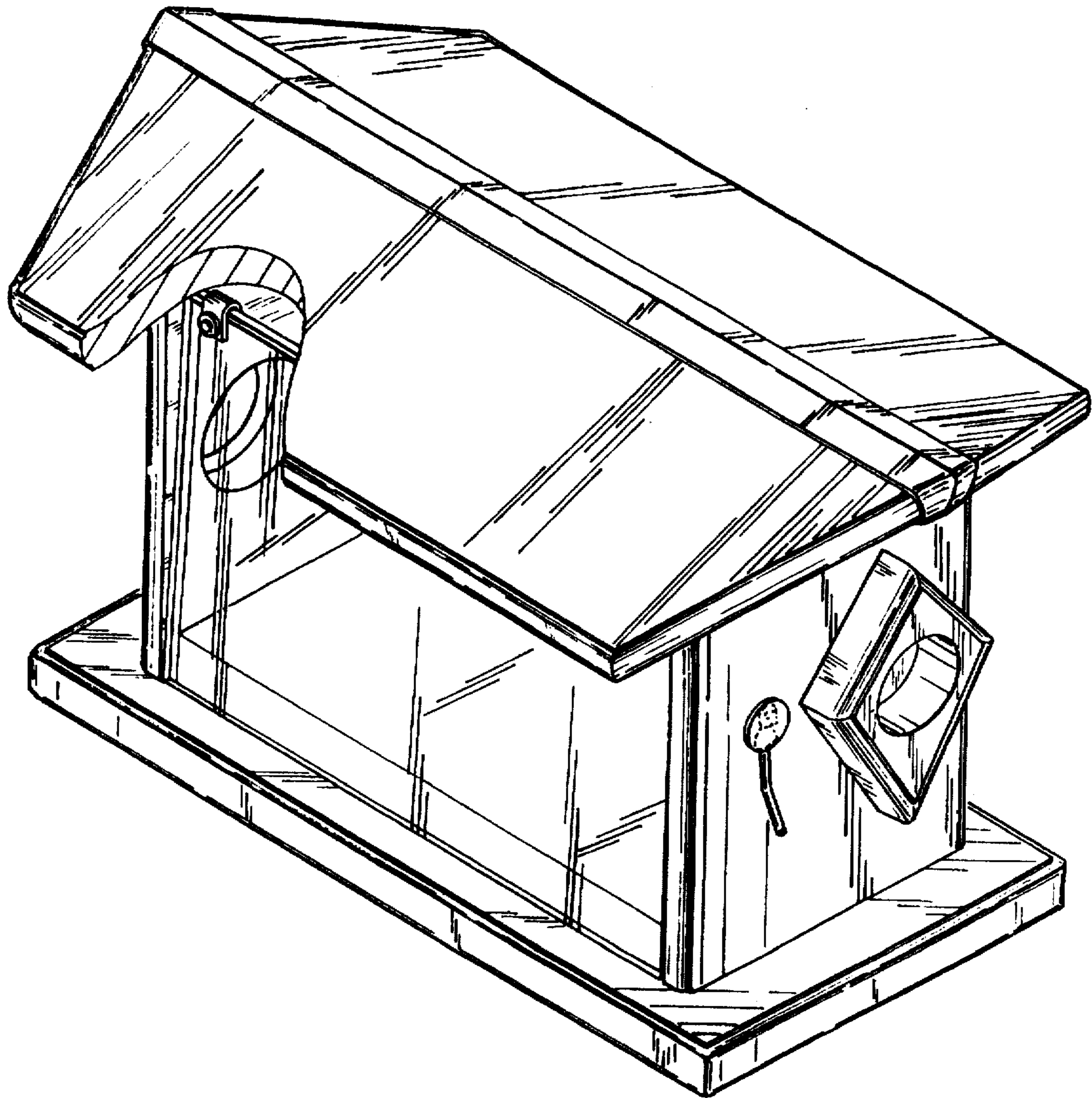


FIG. 1

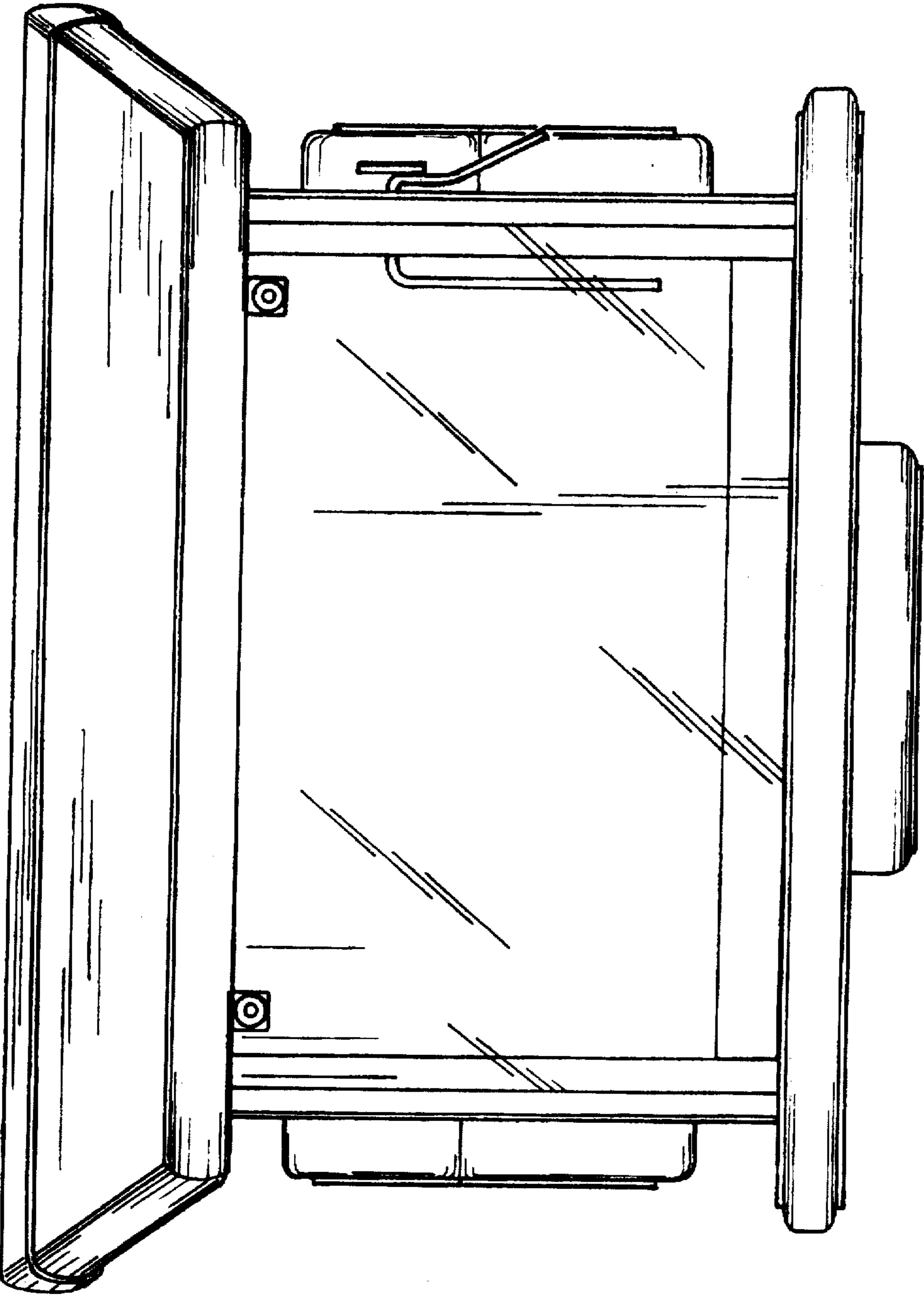


FIG. 2

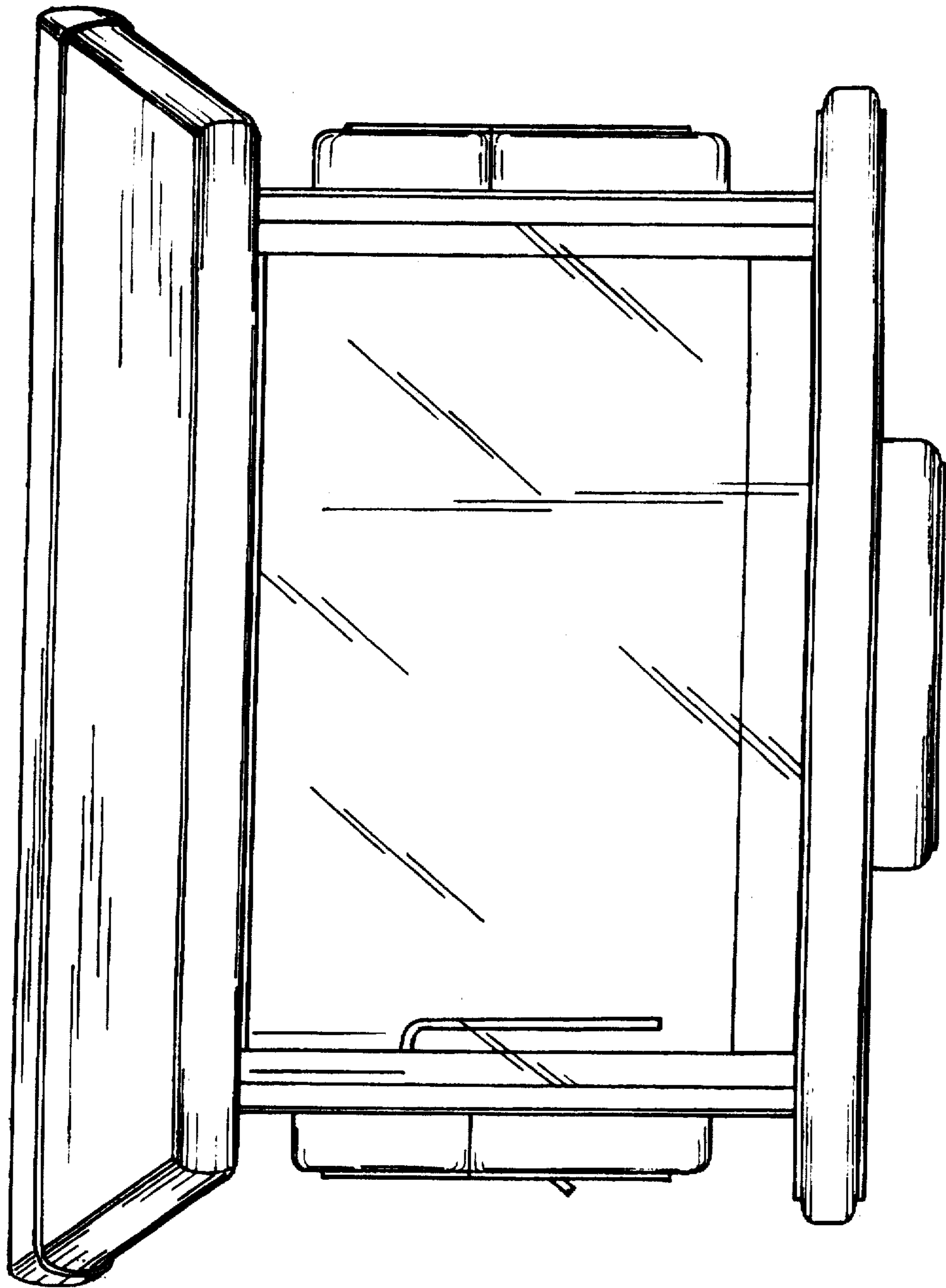


FIG. 3

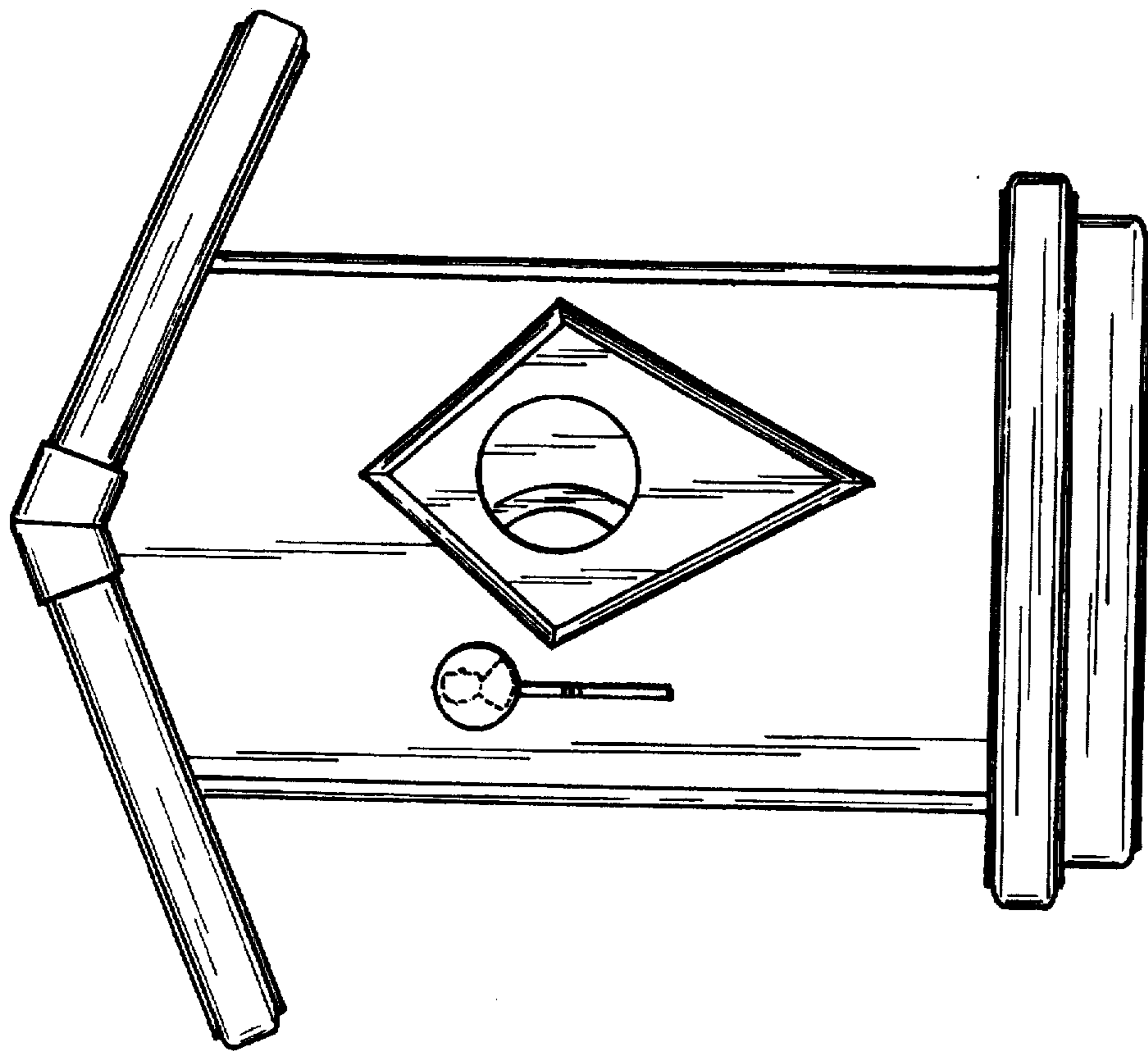


FIG. 5

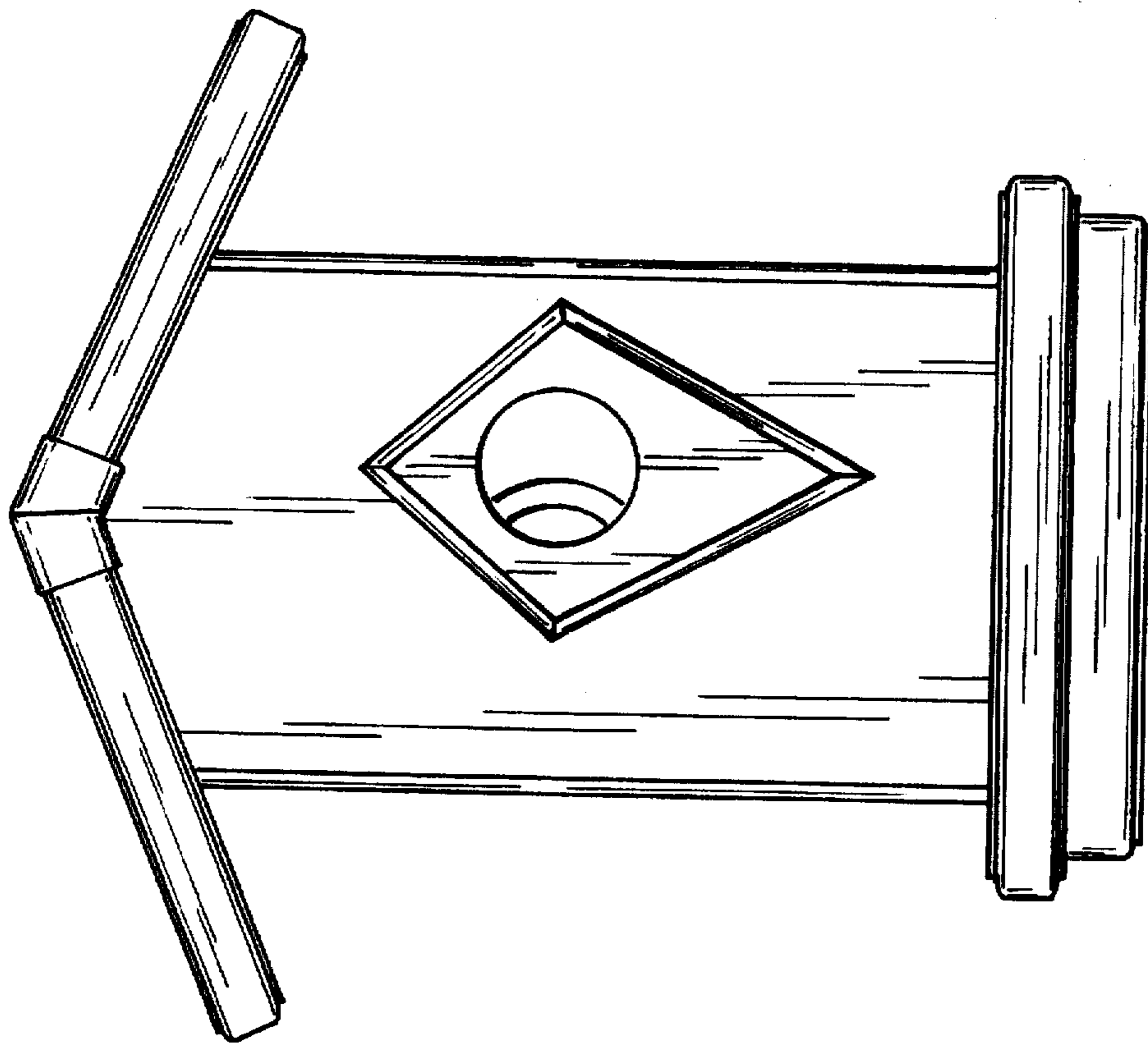


FIG. 4

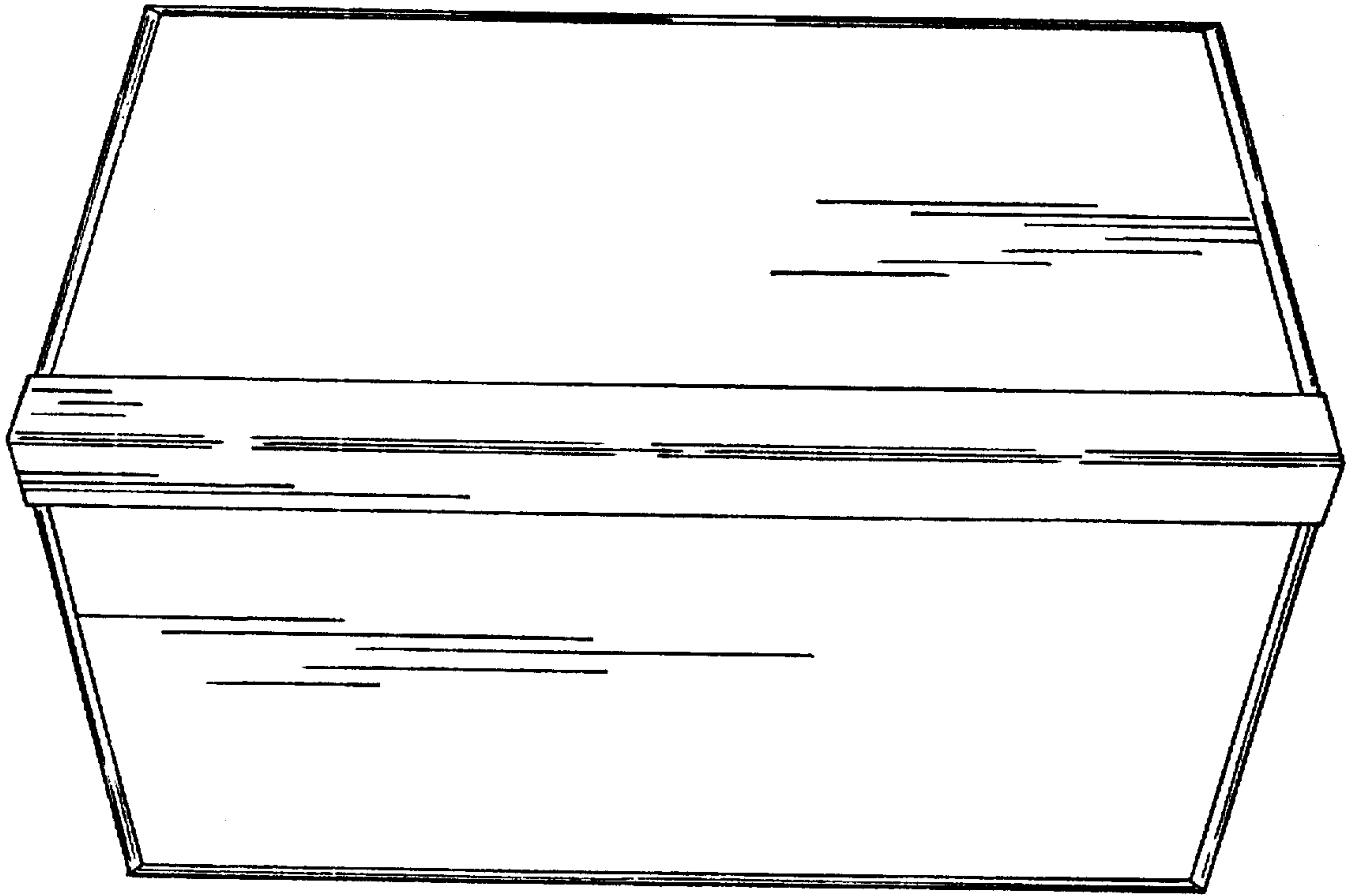


FIG. 6

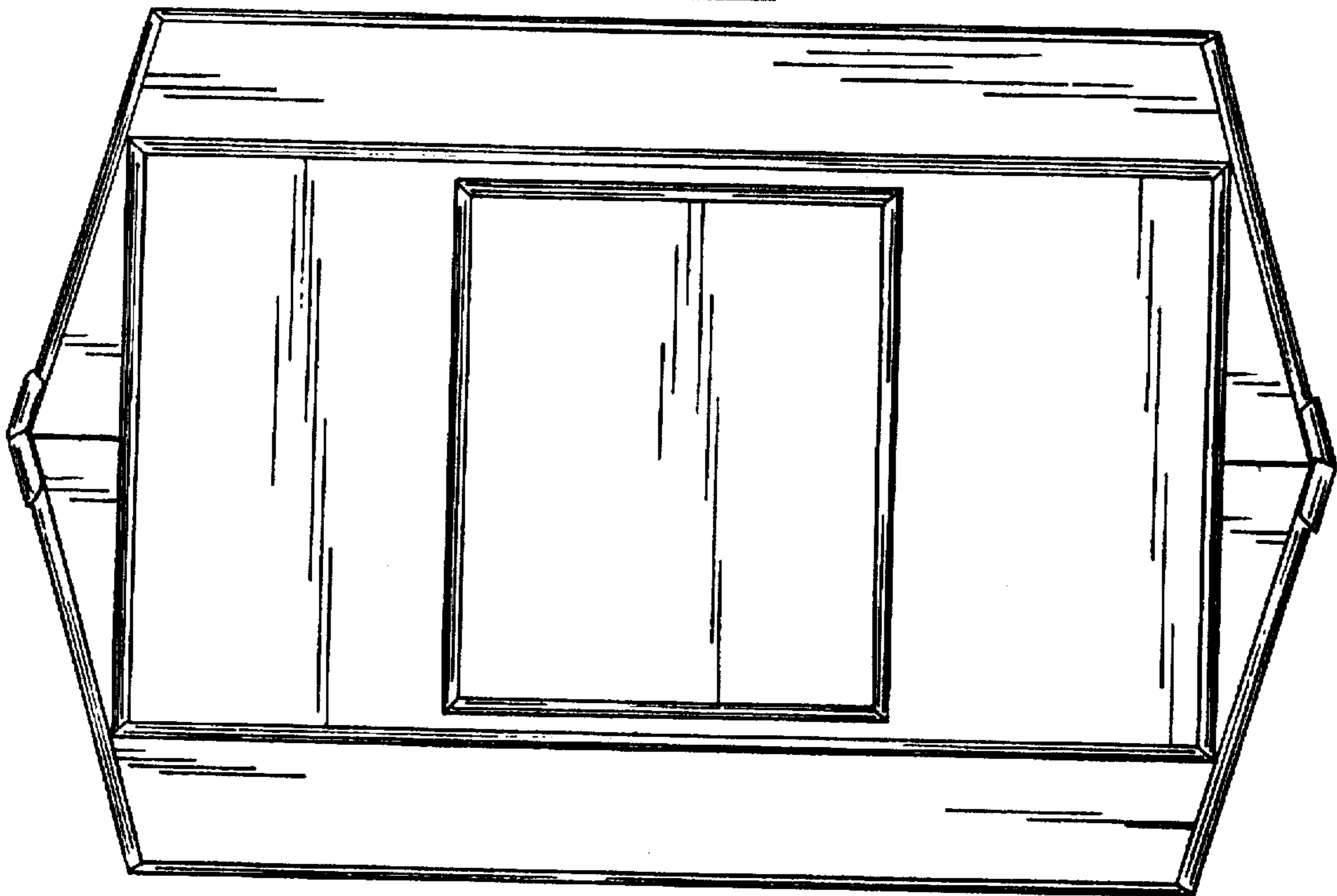


FIG. 7