



US00D386835S

United States Patent [19] Passamare

[11] Patent Number: **Des. 386,835**
[45] Date of Patent: ****Nov. 25, 1997**

[54] **BIRD FEEDER**

[76] Inventor: **Patricia Rose Passamare**, R.R. 33,
Box 22, Site 304, Onoway, Alberta,
Canada, T0E 1V0

[**] Term: **14 Years**

[21] Appl. No.: **53,169**

[22] Filed: **Apr. 15, 1996**

[51] LOC (6) Cl. **30-03**

[52] U.S. Cl. **D30/124**

[58] Field of Search D30/121, 123,
D30/124, 126, 127, 128, 199; 119/57.8,
57.9

[56] **References Cited**

U.S. PATENT DOCUMENTS

- D. 174,139 3/1955 Sadler D30/128
- D. 359,592 6/1995 Fenton et al. D30/124
- 5,435,268 7/1995 Liethen 119/57.8

FOREIGN PATENT DOCUMENTS

390329 4/1933 United Kingdom 119/57.8

Primary Examiner—Cathy Anne MacCormac
Attorney, Agent, or Firm—Anthony R. Lambert

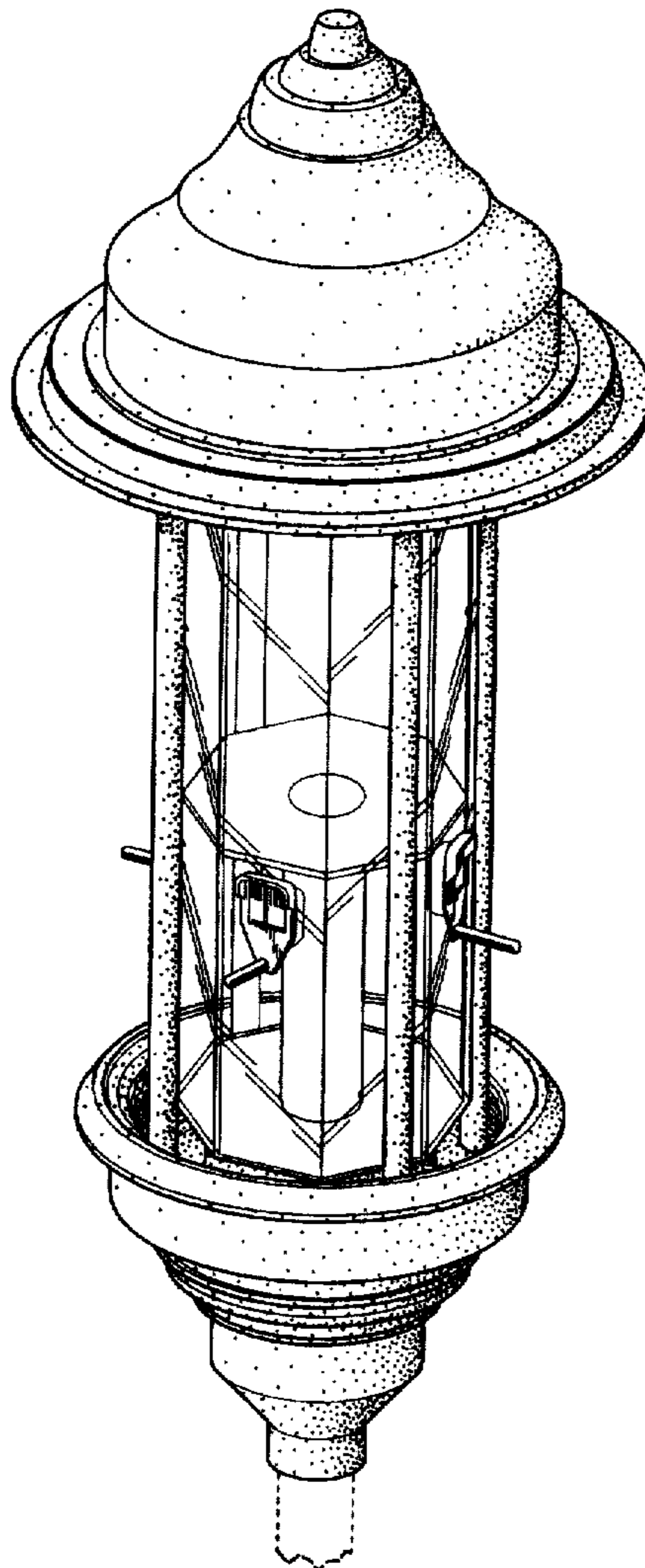
[57] **CLAIM**

The ornamental design for a bird feeder, as shown and described.

DESCRIPTION

FIG. 1 is a side elevation view of a bird feeder showing my new design, all other sides being identical;
FIG. 2 is a top plan view thereof, on an enlarged scale;
FIG. 3 is a bottom plan view thereof; and,
FIG. 4 is a perspective view of FIG. 1, on an enlarged scale.
The broken line showing of the support pole in FIGS. 1 and 4 is for illustrative purposes only and forms no part of the claimed design.

1 Claim, 4 Drawing Sheets



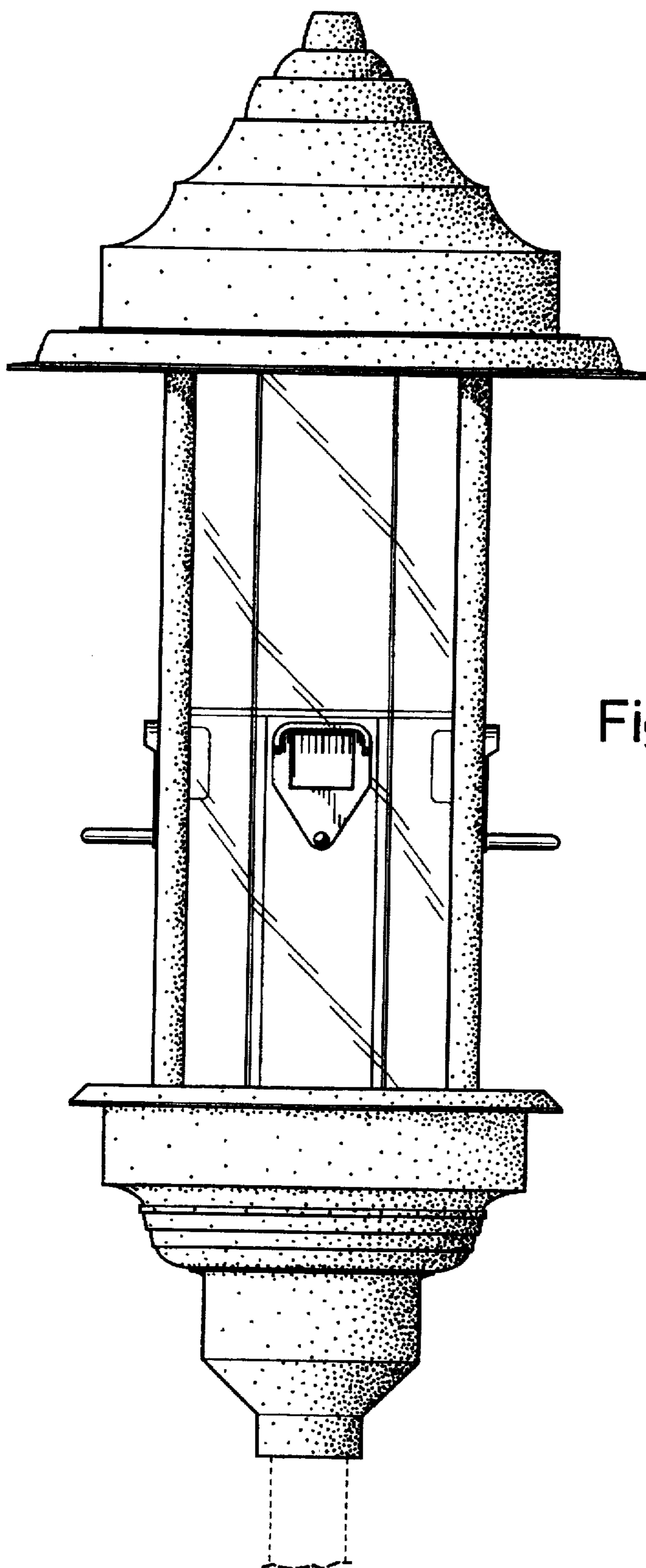


Figure 1

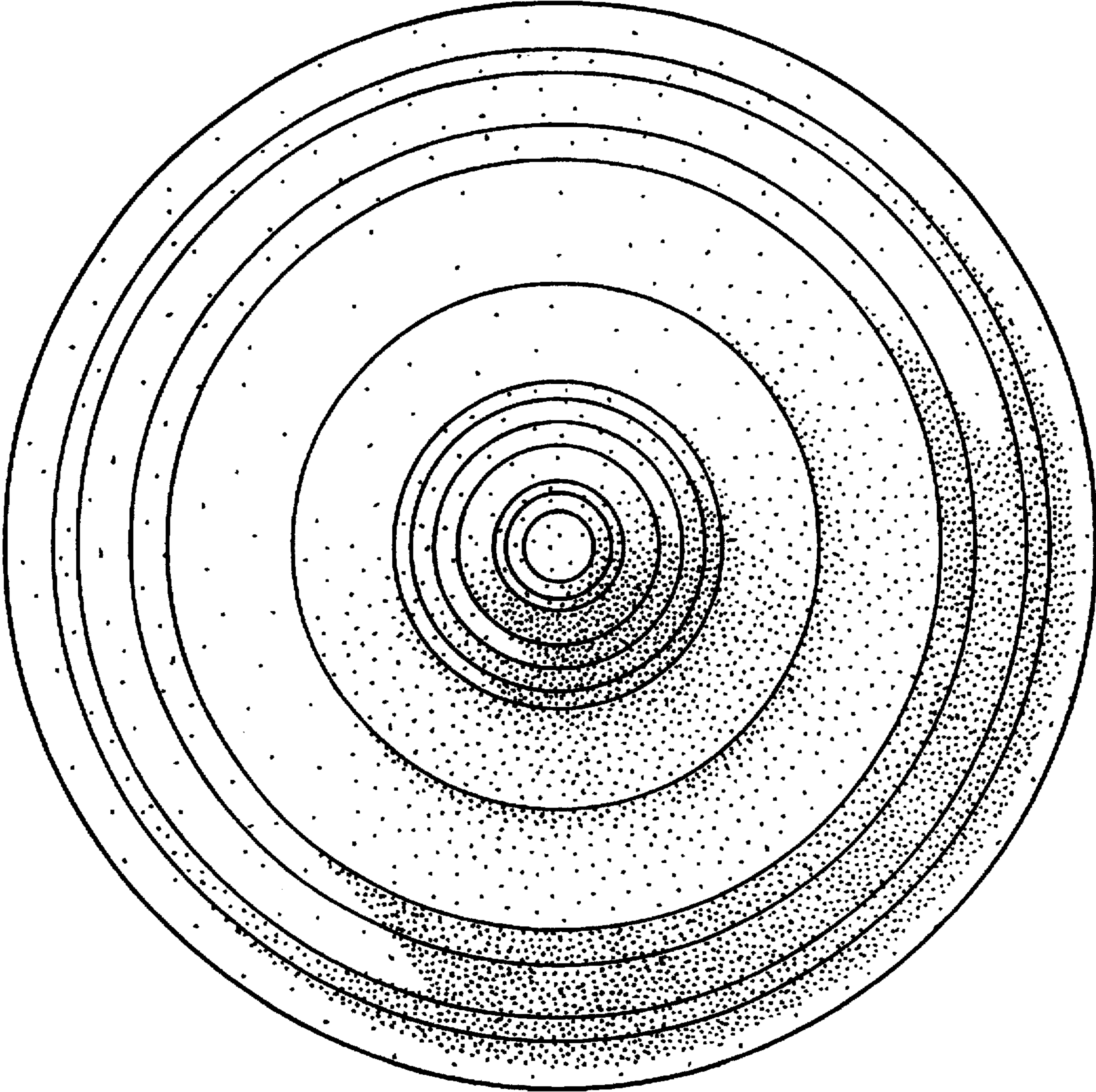


Figure 2

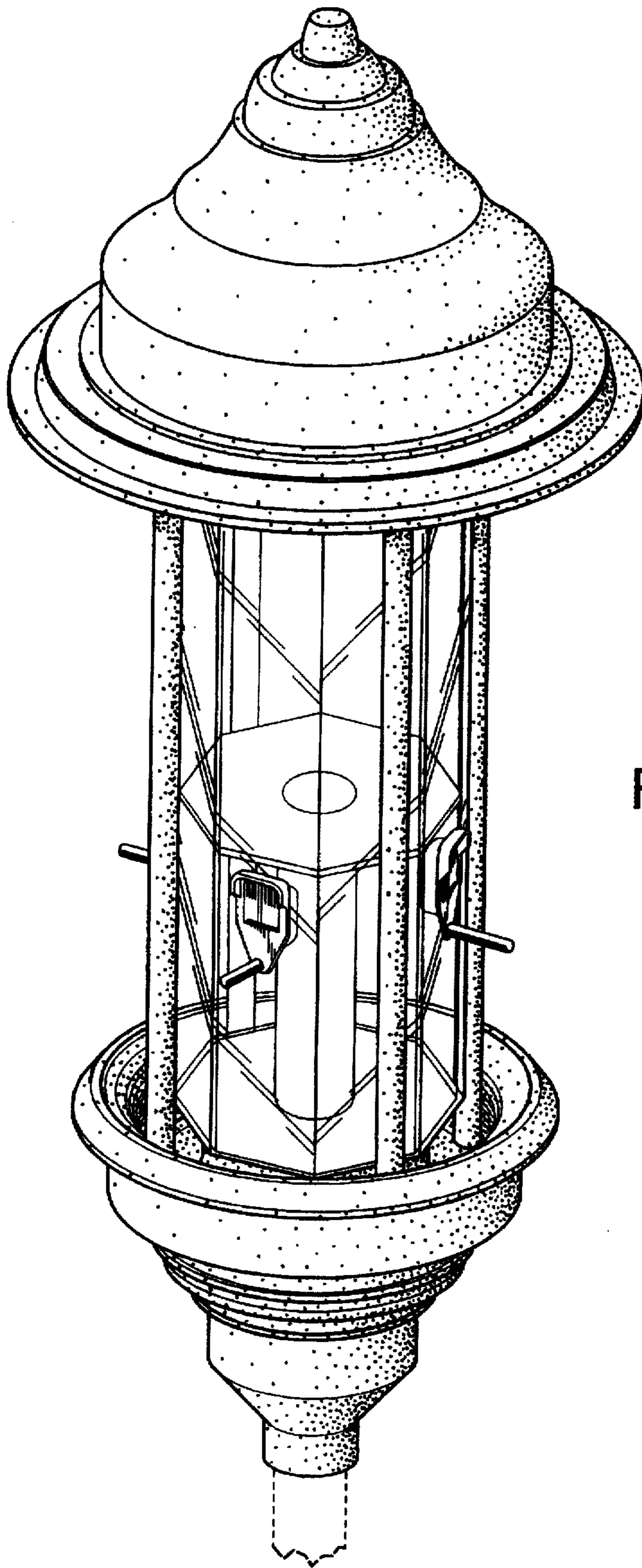


Figure 4