



US00D386828S

United States Patent [19] Pullman

[11] Patent Number: **Des. 386,828**
[45] Date of Patent: ****Nov. 25, 1997**

[54] COMBINED LIPSTICK HOLDER, MIRROR AND FLASHLIGHT

[76] Inventor: **Burke C. Pullman**, 390 Vereda Sur, Palm Springs, Calif. 92262

[**] Term: **14 Years**

[21] Appl. No.: **61,623**

[22] Filed: **Oct. 28, 1996**

[51] LOC (6) Cl. **28-03**

[52] U.S. Cl. **D28/77; D28/64.3**

[58] Field of Search **D28/64.1-64.3, D28/76-78, 83, 85, 86; D3/205, 274, 275, 901; D9/337, 420, 423; 206/385, 235, 581, 823; 132/286-288, 295, 297, 301, 304, 314-318; 220/DIG. 26; D26/37, 38, 51, 56; 362/135, 136, 154, 156, 208, 252**

[56] References Cited

U.S. PATENT DOCUMENTS

D. 110,656	7/1938	Leisen	D28/64.3
D. 160,572	10/1950	Bowland	D26/38 X
D. 176,381	12/1955	Schwartz	D28/64.3 X
D. 361,633	8/1995	Chabria	D26/37
1,312,026	11/1919	Freed et al.	132/286 X
1,802,858	4/1931	Wilson et al.	132/297
1,978,905	10/1934	Lamb et al.	362/156
2,265,094	12/1941	Wolfe	132/315 X
2,678,995	5/1954	Miller	132/318 X
3,582,171	6/1971	McArdle	D28/78 X

FOREIGN PATENT DOCUMENTS

707211	7/1931	France	362/136
201124	2/1939	Switzerland	132/294
445021	4/1926	United Kingdom	206/235

Primary Examiner—Catherine Tuttle

[57] CLAIM

The ornamental design for a combined lipstick holder, mirror and flashlight, as shown and described.

DESCRIPTION

FIG. 1 is a perspective view showing my new design from the top, front and left side;

FIG. 2 is a perspective view thereof, seen from the bottom, rear and right side;

FIG. 3 is a front elevational view thereof shown in an inverted position;

FIG. 4 is a top plan view thereof;

FIG. 5 is a side elevational view thereof;

FIG. 6 is a rear elevational view thereof; and,

FIG. 7 is a bottom plan view thereof.

The broken line showing of the lipstick cases is for illustrative purposes only and forms no part of the claimed design.

The undisclosed and partially disclosed surfaces of the design follow the contours of the sides shown.

1 Claim, 3 Drawing Sheets

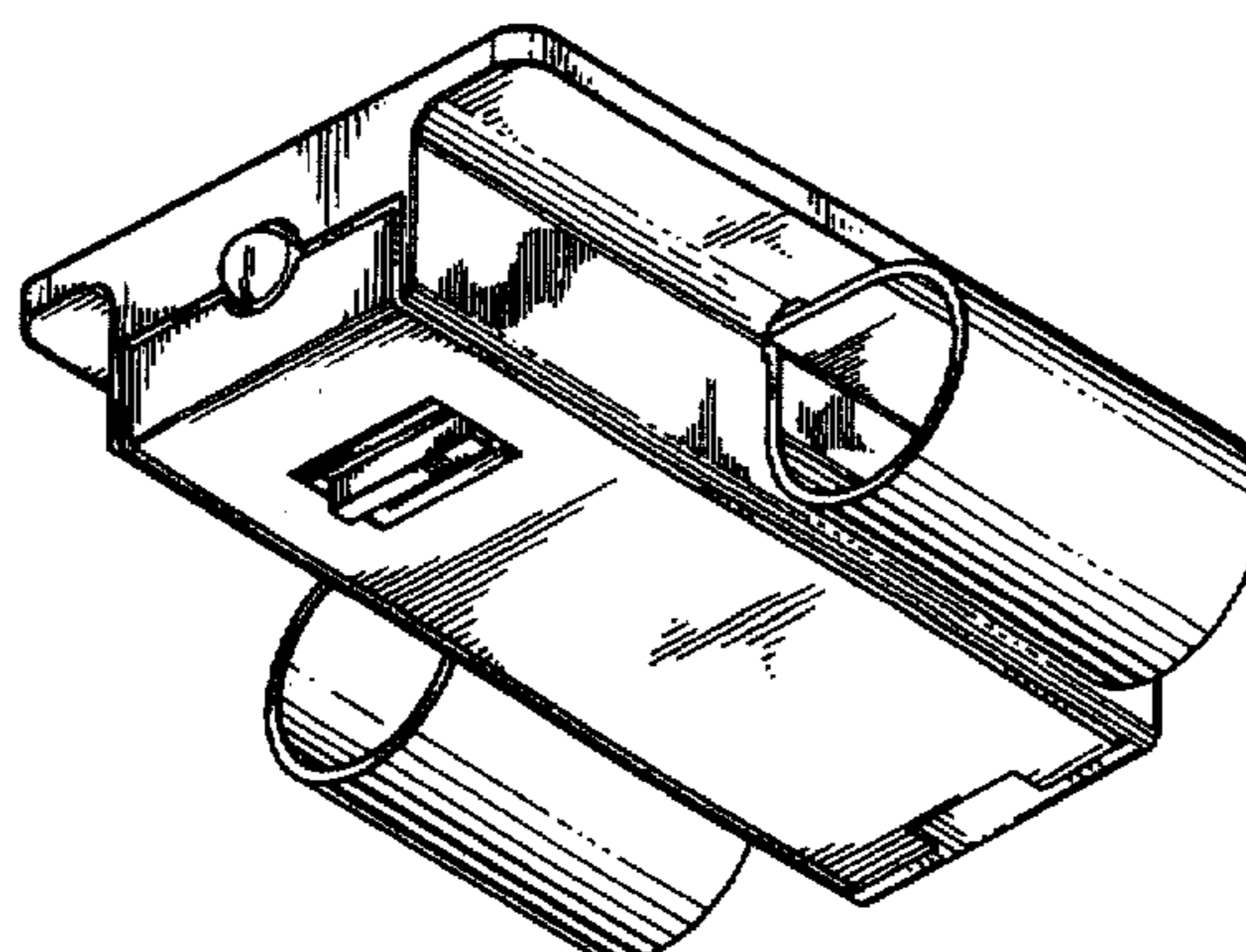
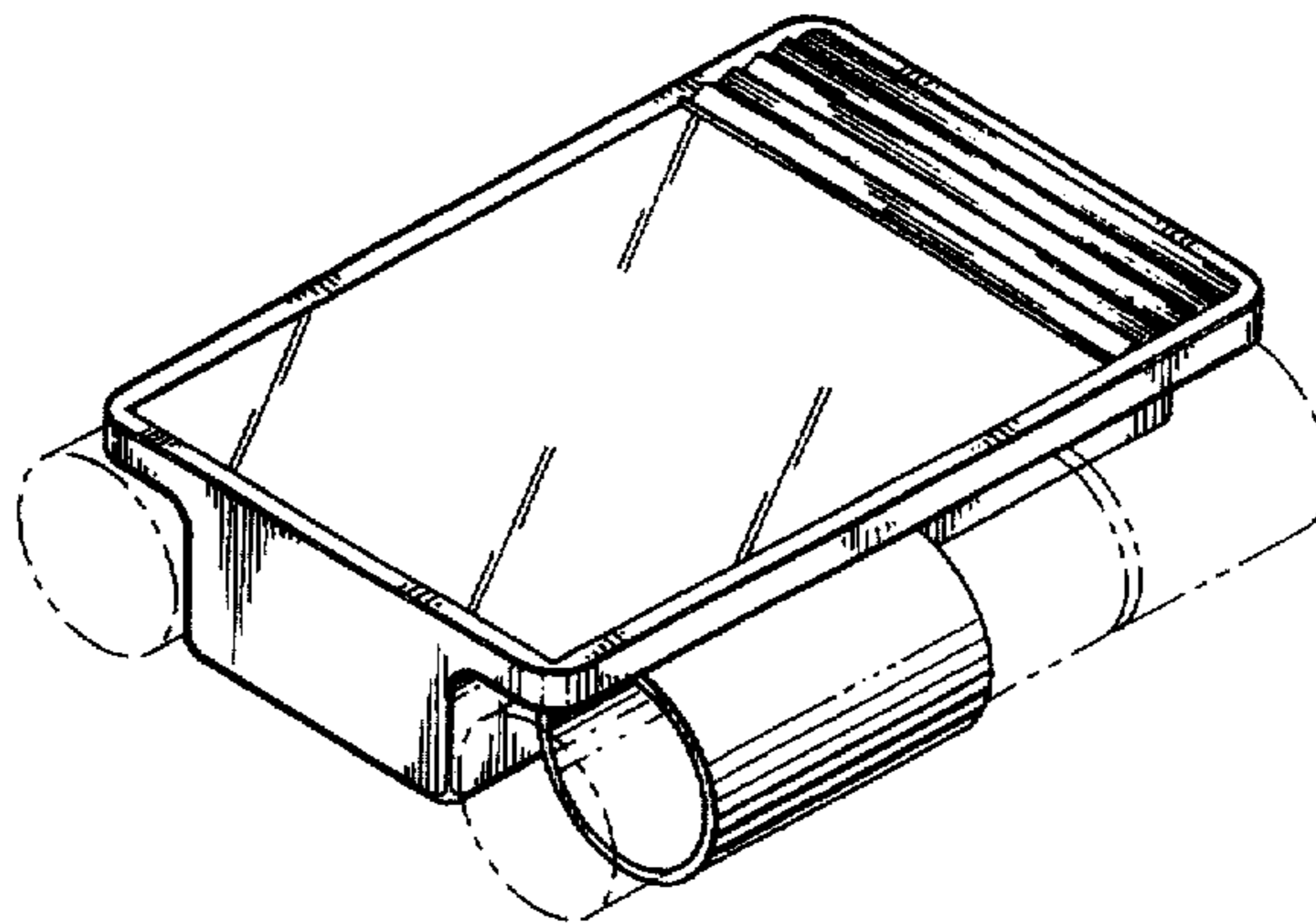


FIG. 1

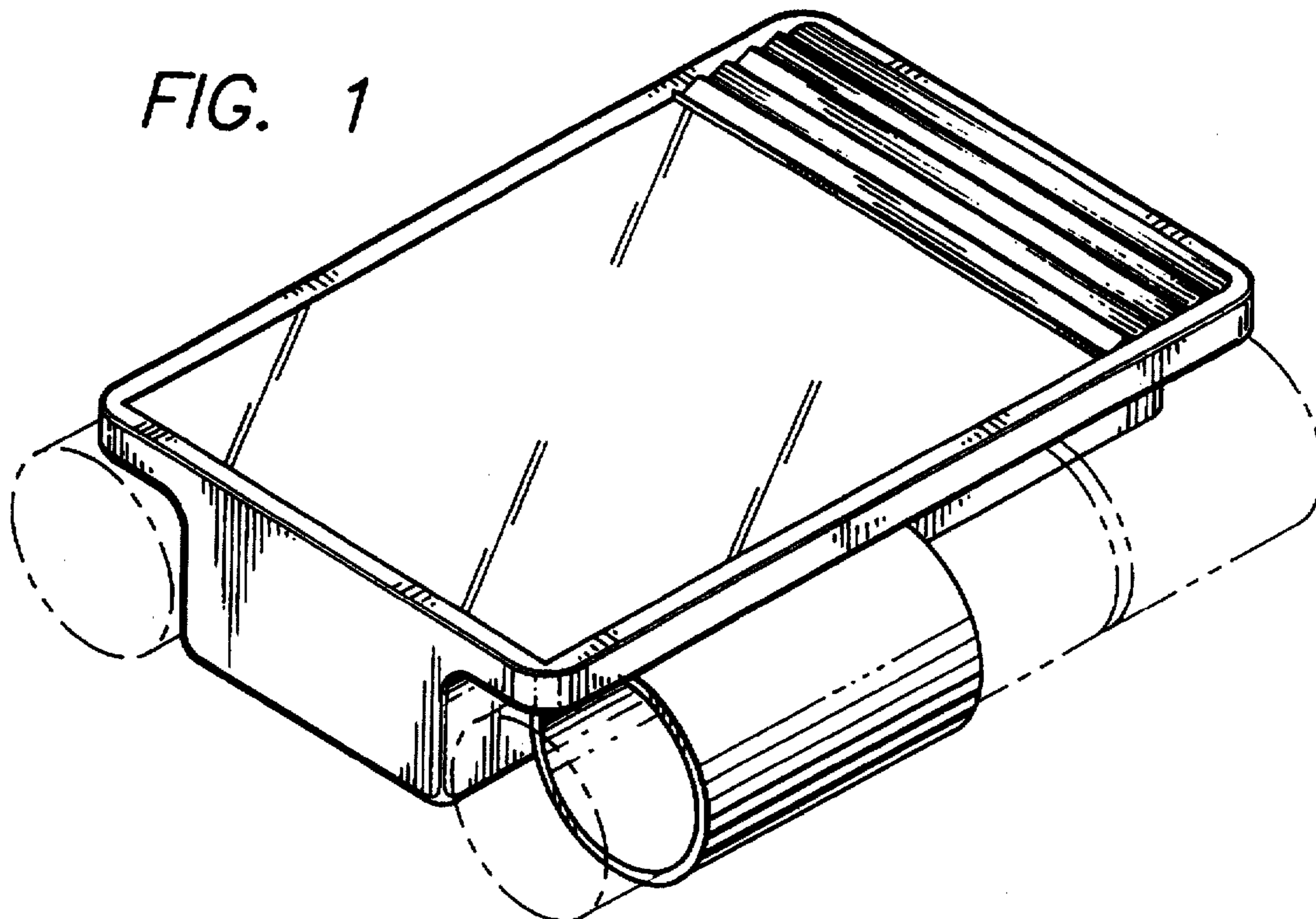


FIG. 2

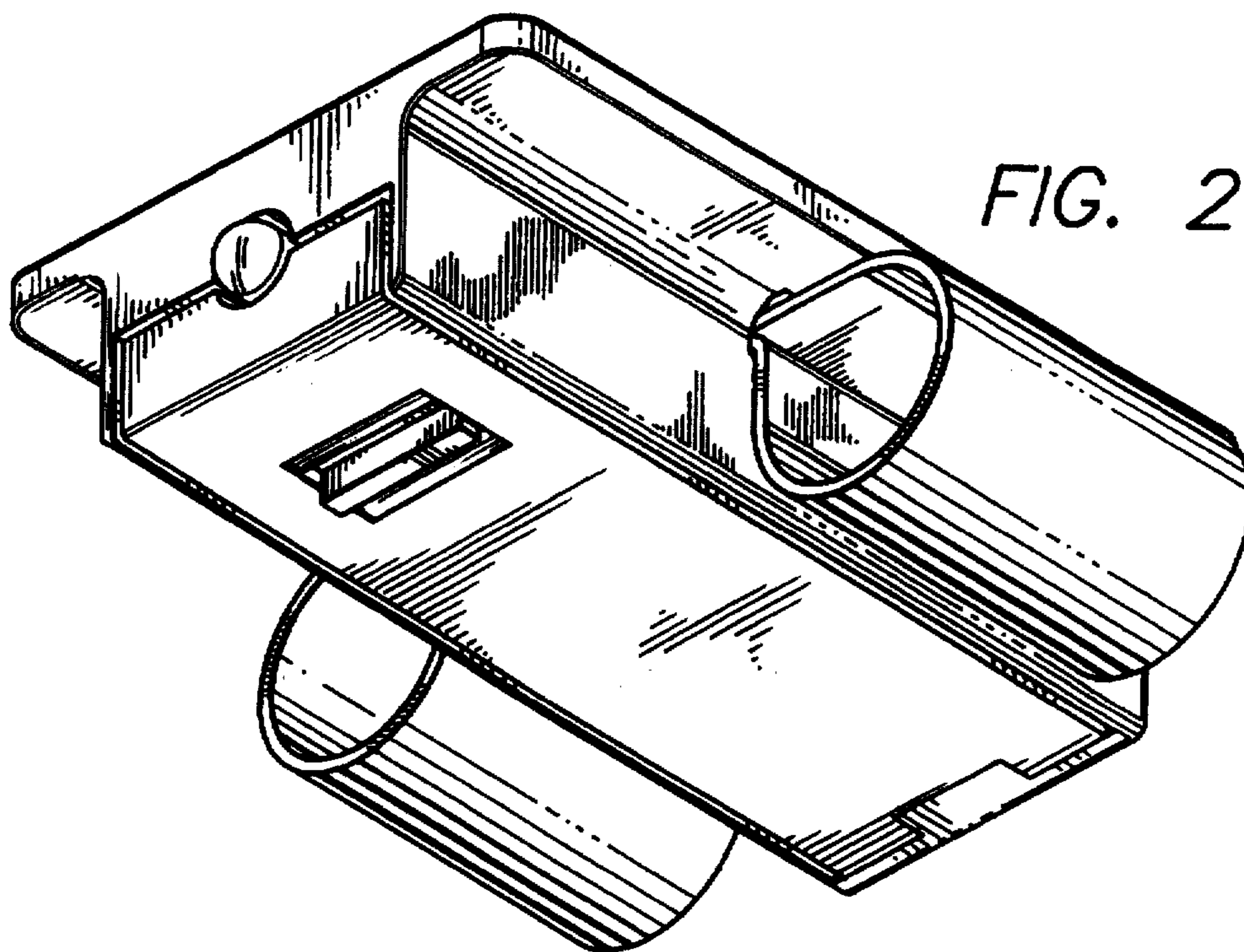


FIG. 3

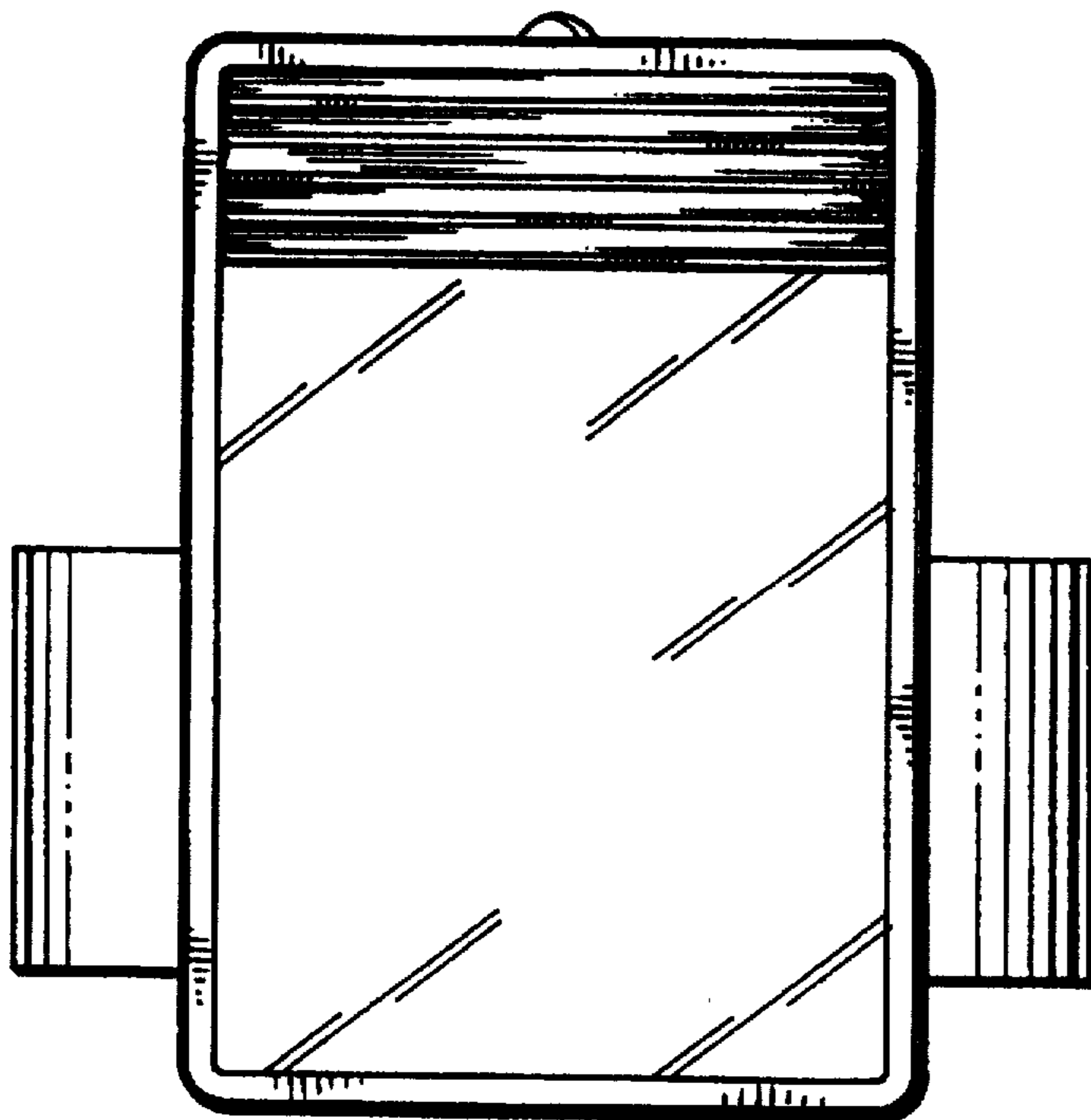
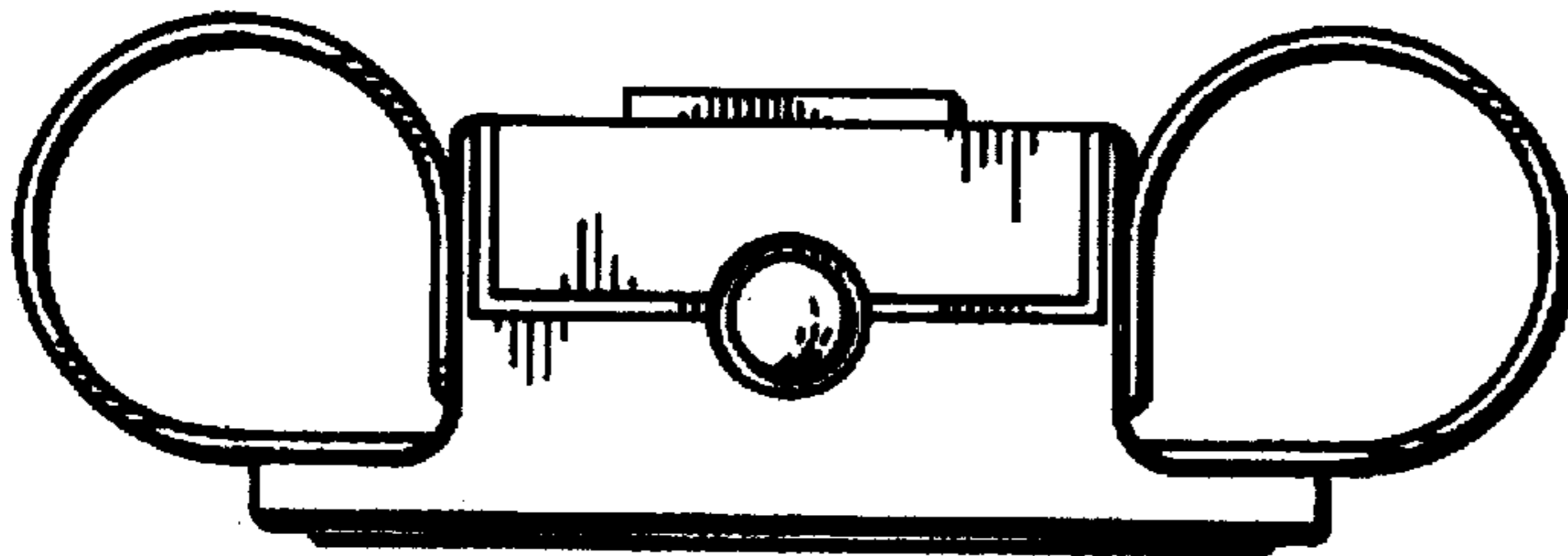


FIG. 4

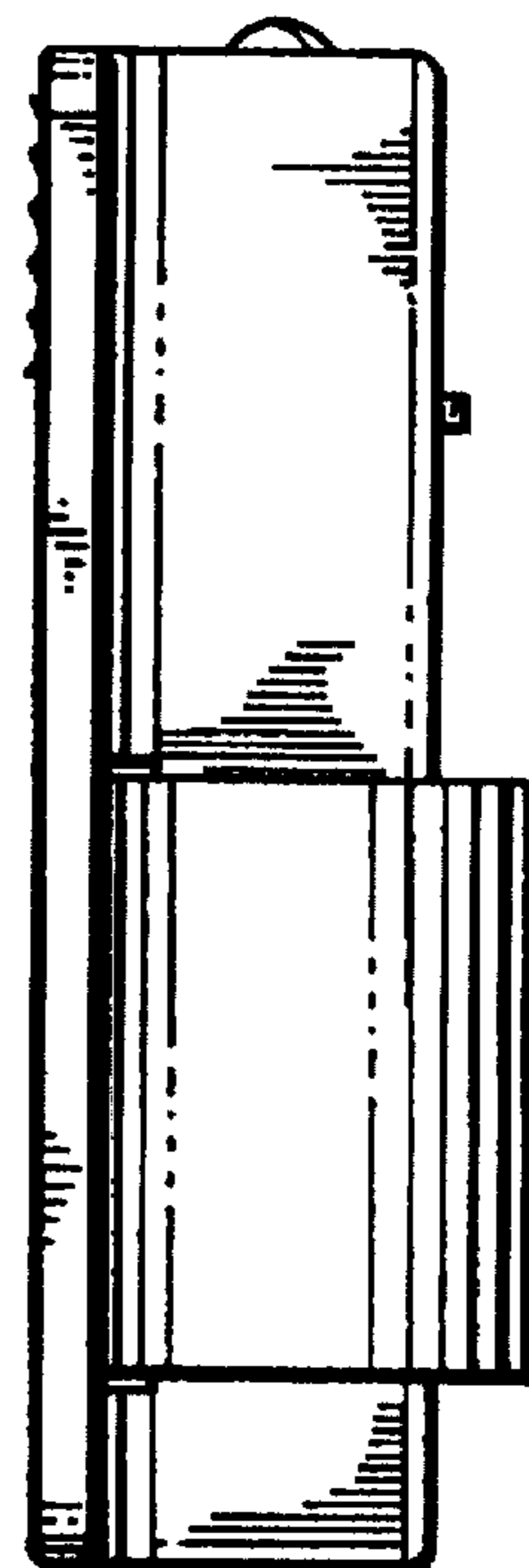


FIG. 5

FIG. 6

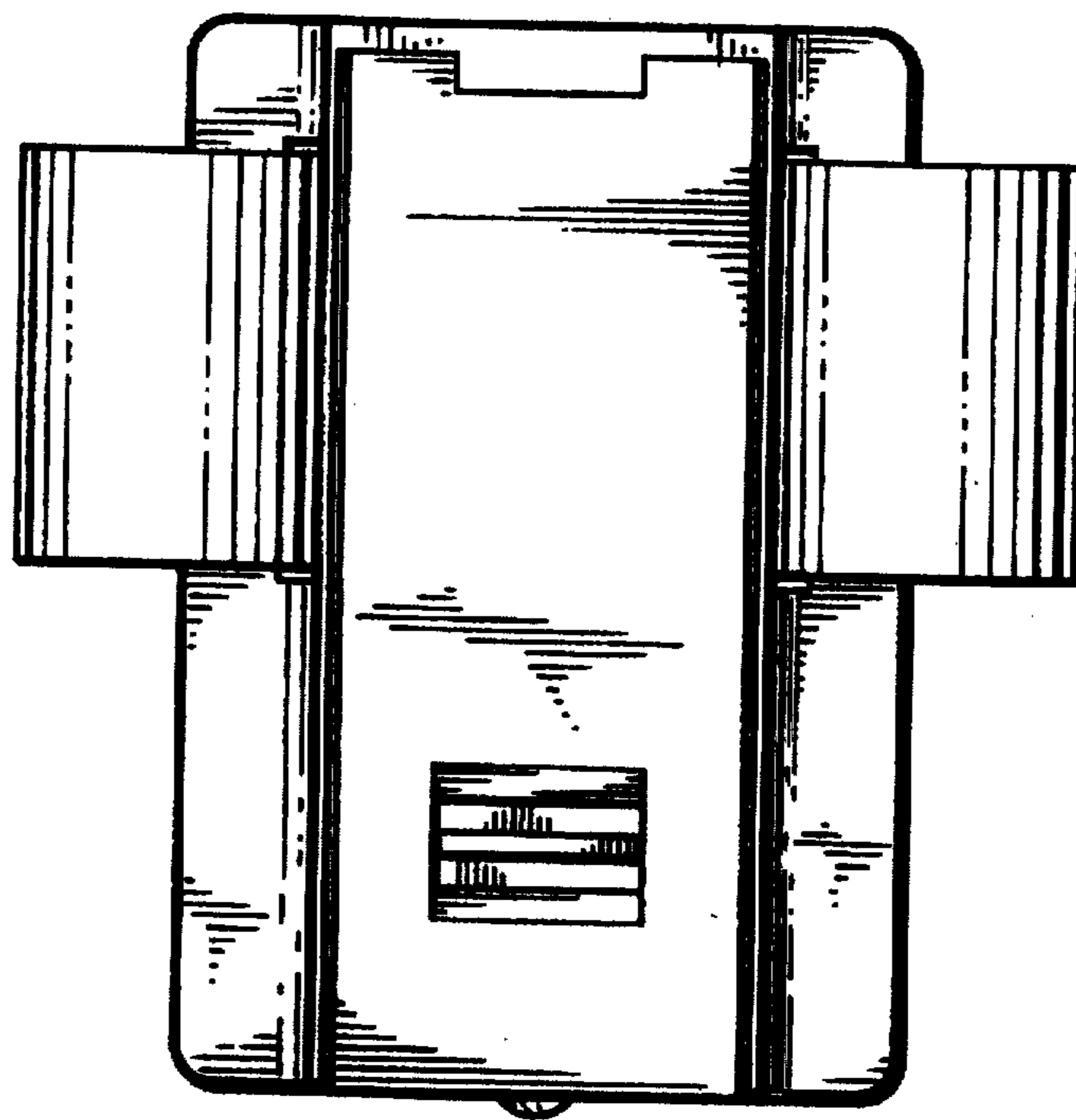
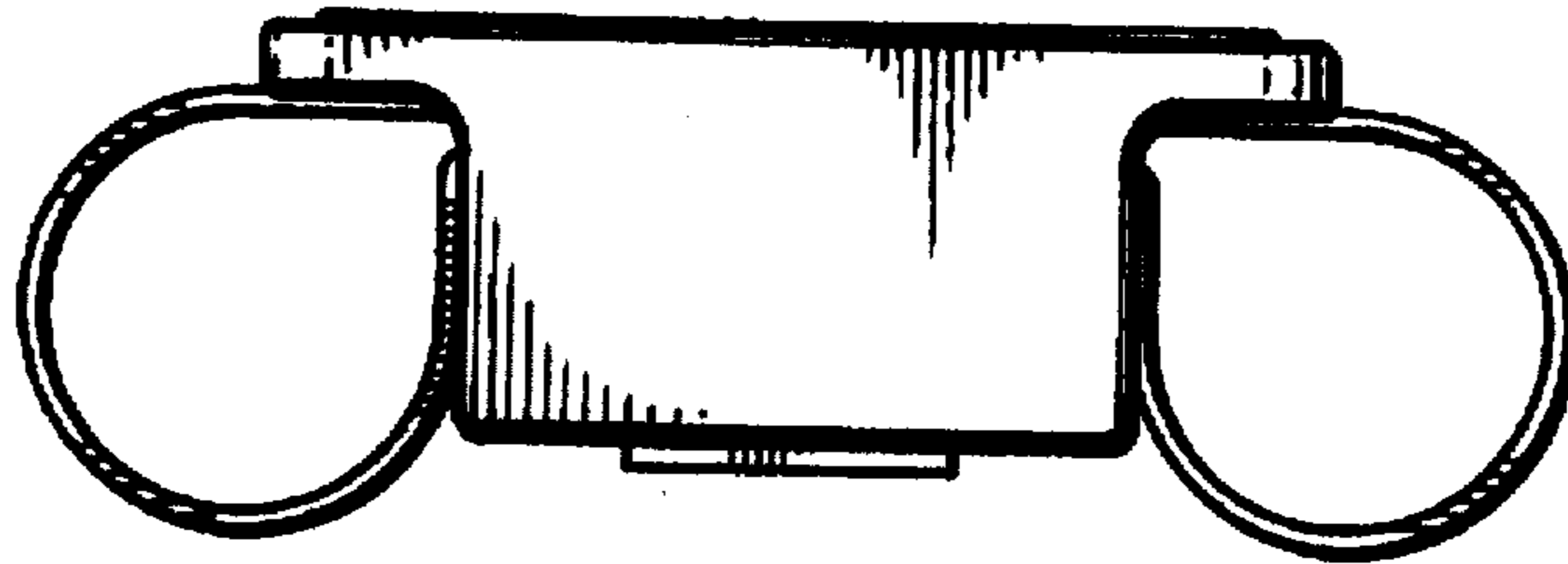


FIG. 7