



US00D386826S

United States Patent [19]
Salvino

[11] **Patent Number:** **Des. 386,826**
[45] **Date of Patent:** ****Nov. 25, 1997**

[54] **DOUBLE NAIL FILE WITH VERTICAL HANDLE**

[76] **Inventor:** **Larry P. Salvino**, 1815 Elm Ct., Dundee, Ill. 60118

[**] **Term:** **14 Years**

[21] **Appl. No.:** **60,990**

[22] **Filed:** **Oct. 8, 1996**

[51] **LOC (6) Cl.** **28-03**

[52] **U.S. Cl.** **D28/59**

[58] **Field of Search** D28/56, 57, 59, D28/62; 132/73, 73.5, 75.3, 75.6, 76.4, 76.5, 75

[56] **References Cited**

U.S. PATENT DOCUMENTS

D. 133,008	7/1942	McCall	D28/59	X
2,215,877	9/1940	Johnson	132/76.2	X
4,184,499	1/1980	Seidler	132/75.6	
5,287,863	2/1994	Lajoie et al.	D28/59	X

FOREIGN PATENT DOCUMENTS

348120 5/1937 Italy 132/76.4

OTHER PUBLICATIONS

Hong Kong Enterprise Oct. 1989, p. 517: nail file indicated by arrow.

Primary Examiner—Catherine Tuttle
Attorney, Agent, or Firm—Banner & Witcoff, Ltd.

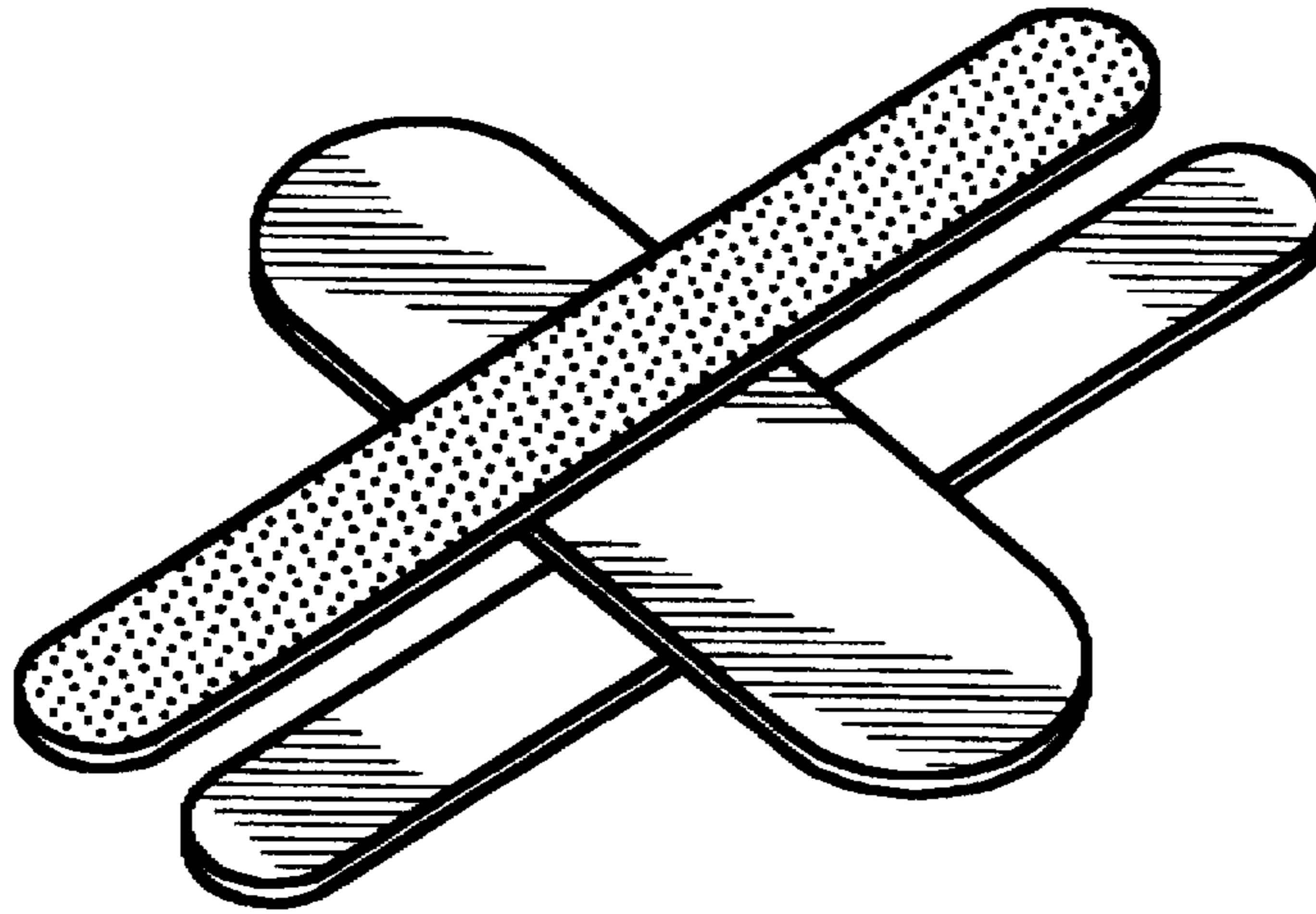
[57] **CLAIM**

The ornamental design for a double nail file with vertical handle, as shown and described.

DESCRIPTION

FIG. 1 is a right side view of a nail file showing my new design;
FIG. 2 is a left side view thereof;
FIG. 3 is an end view thereof the opposite end being a mirror image;
FIG. 4 is a top view thereof the bottom view being a mirror image; and,
FIG. 5 is a perspective view thereof.

1 Claim, 1 Drawing Sheet



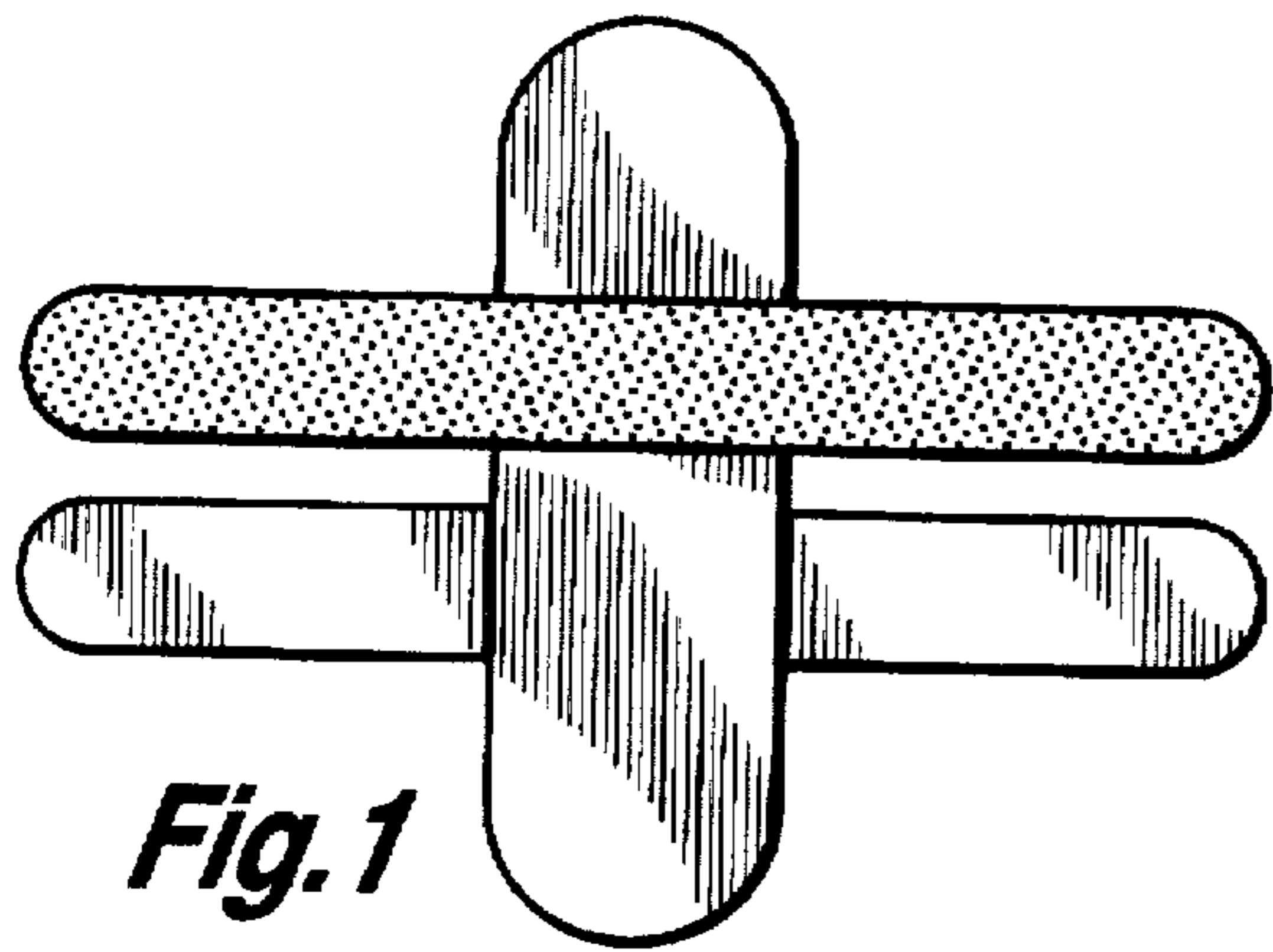


Fig. 1

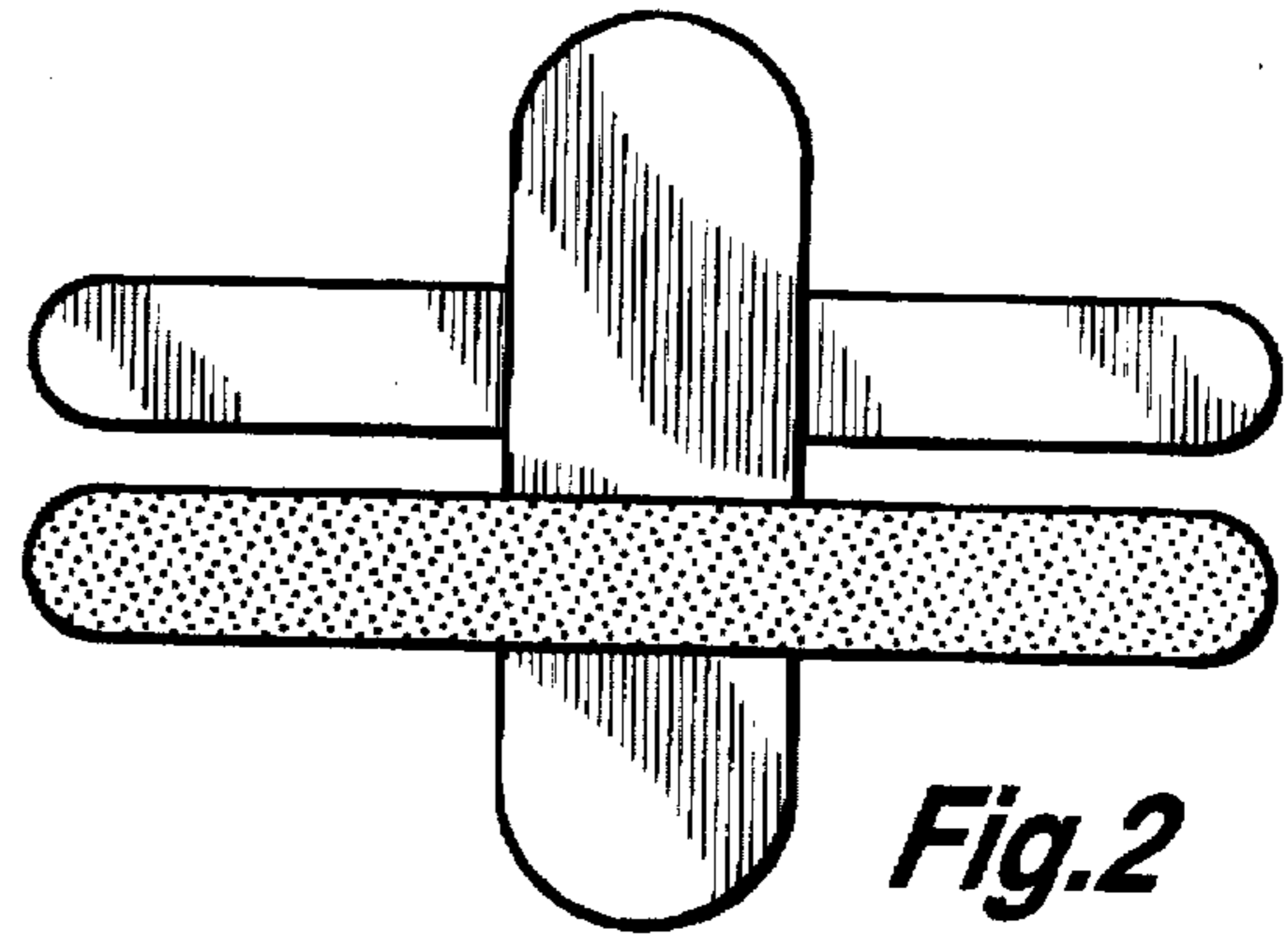


Fig. 2

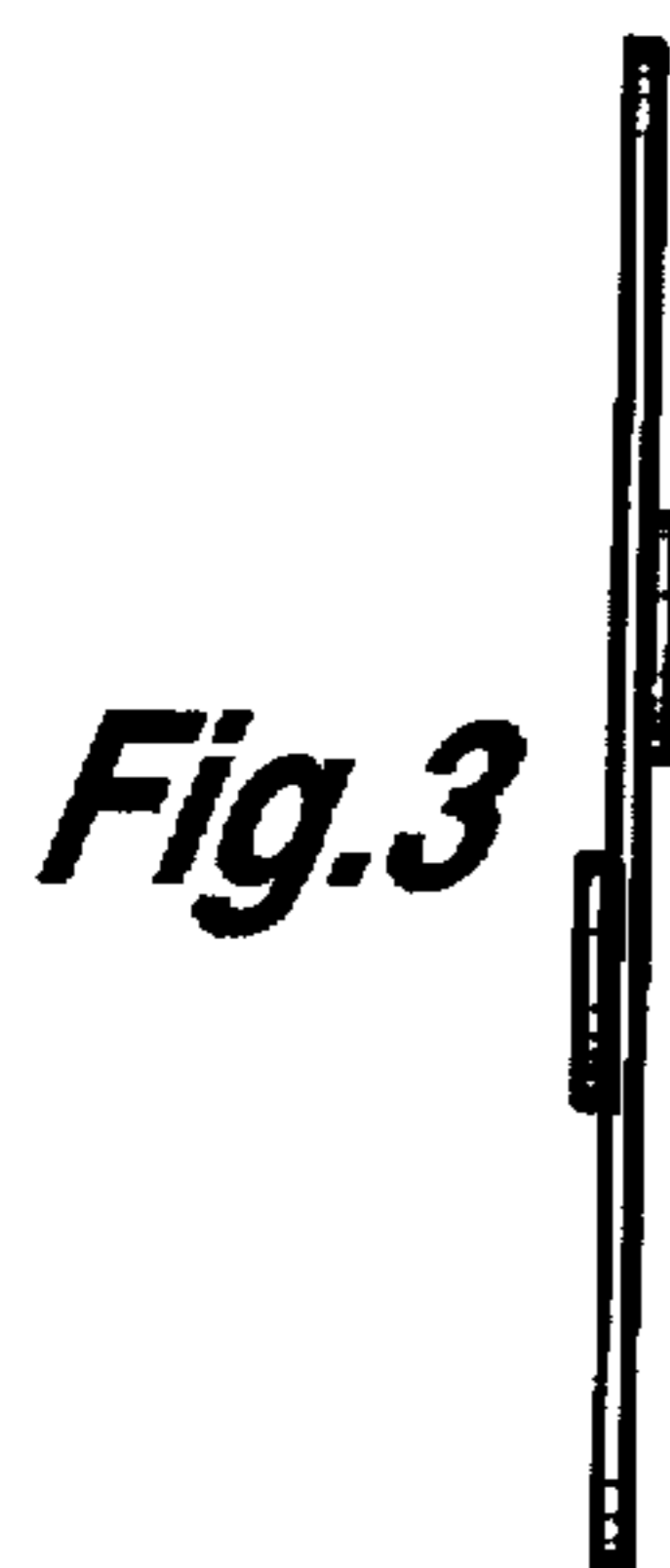


Fig. 3



Fig. 4

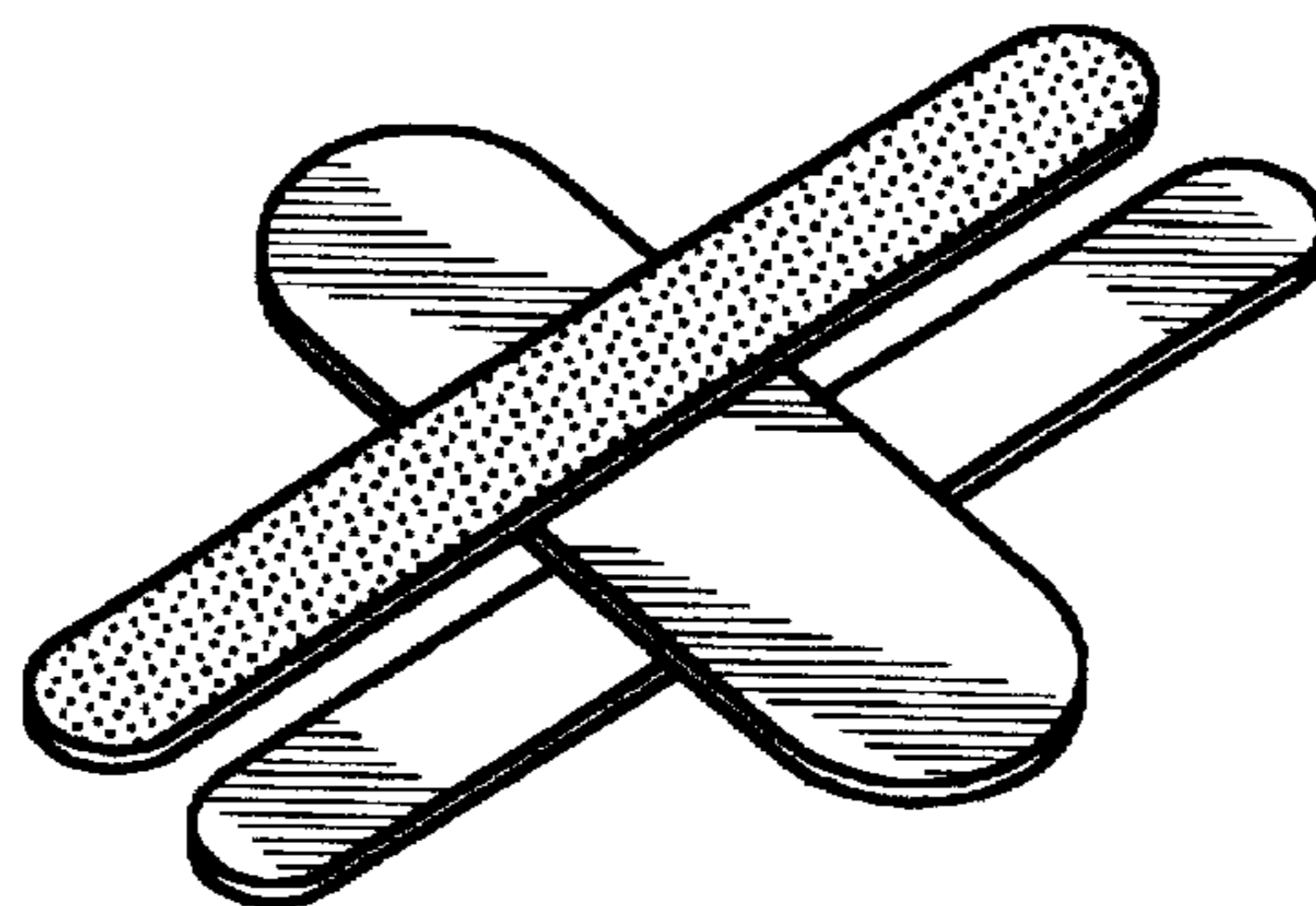


Fig. 5