



US00D386815S

# United States Patent [19] Muller

[11] Patent Number: **Des. 386,815**

[45] Date of Patent: **\*\*Nov. 25, 1997**

## [54] CORDLESS HAIR DRYER

[76] Inventor: **Lisa Muller**, 25114 13 Ave. S., Seattle, Wash. 98198

[\*\*] Term: **14 Years**

[21] Appl. No.: **60,403**

[22] Filed: **Sep. 27, 1996**

[51] LOC (6) Cl. .... **28-03**

[52] U.S. Cl. .... **D28/13**

[58] Field of Search ..... D28/13-18; 132/212, 132/272; 34/96-101; 392/384, 385

## [56] References Cited

### U.S. PATENT DOCUMENTS

- D. 253,253 10/1979 Rakocy ..... D28/18 X
- D. 265,136 6/1982 Madl ..... D28/13
- D. 278,085 3/1985 Rittenhouse et al. .... D28/13
- D. 286,924 11/1986 Muller ..... D28/13

### FOREIGN PATENT DOCUMENTS

- 3545268 6/1987 Germany ..... 392/385

## OTHER PUBLICATIONS

Hong Kong Enterprise Mar. 1986, p. 357: No. PT-12.  
Hong Kong Enterprise Oct. 1989, p. 201: No EA-317.

*Primary Examiner*—Catherine Tuttle  
*Attorney, Agent, or Firm*—Harold H. Dutton, Jr.

## [57] CLAIM

The ornamental design for a cordless hair dryer, as shown.

## DESCRIPTION

FIG. 1 is a perspective view of a cordless hair dryer showing my new design;

FIG. 2 is a front view thereof;

FIG. 3 is a rear view thereof;

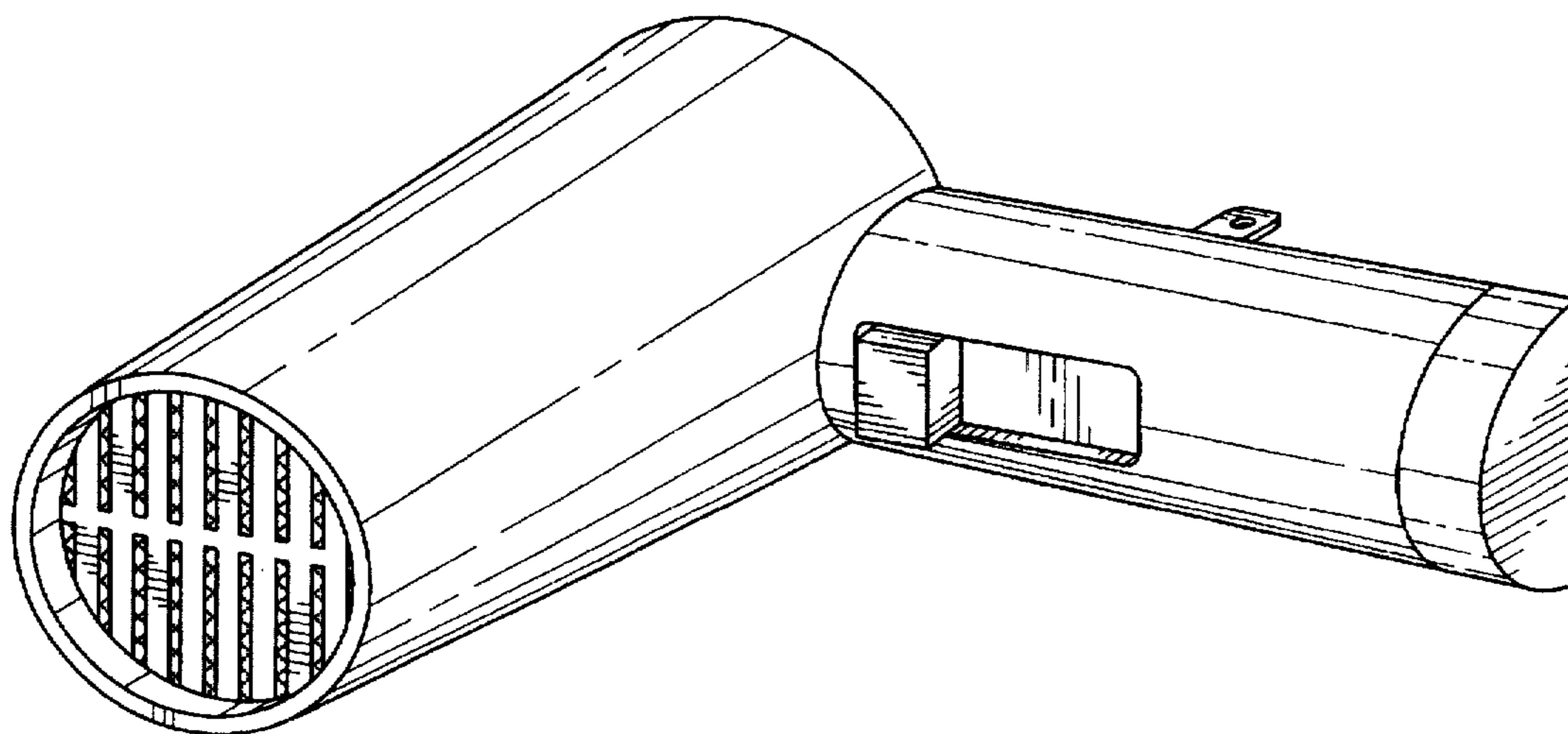
FIG. 4 is a left view thereof;

FIG. 5 is a right view thereof;

FIG. 6 is a top view thereof; and,

FIG. 7 is a bottom view thereof.

**1 Claim, 4 Drawing Sheets**



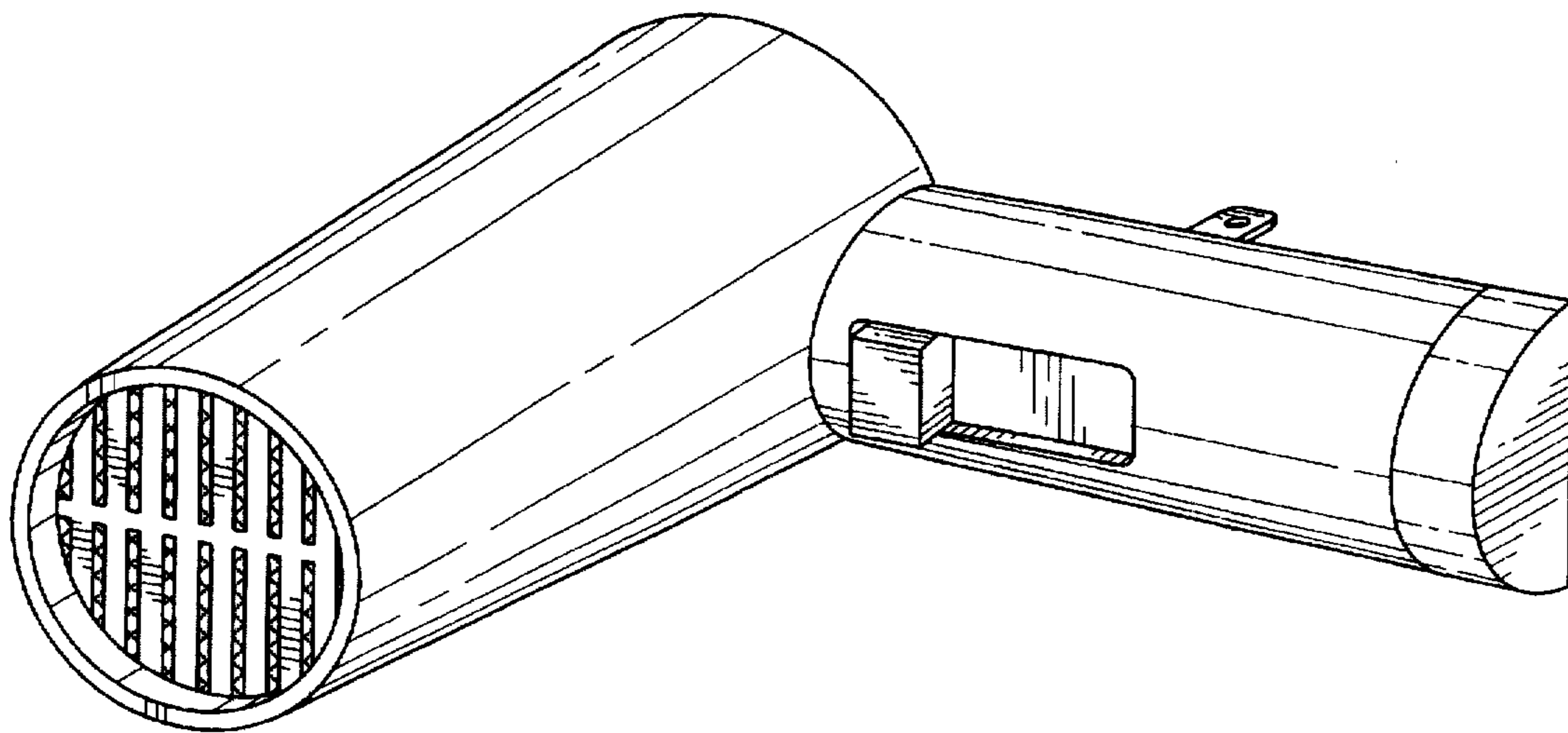


FIG. 1

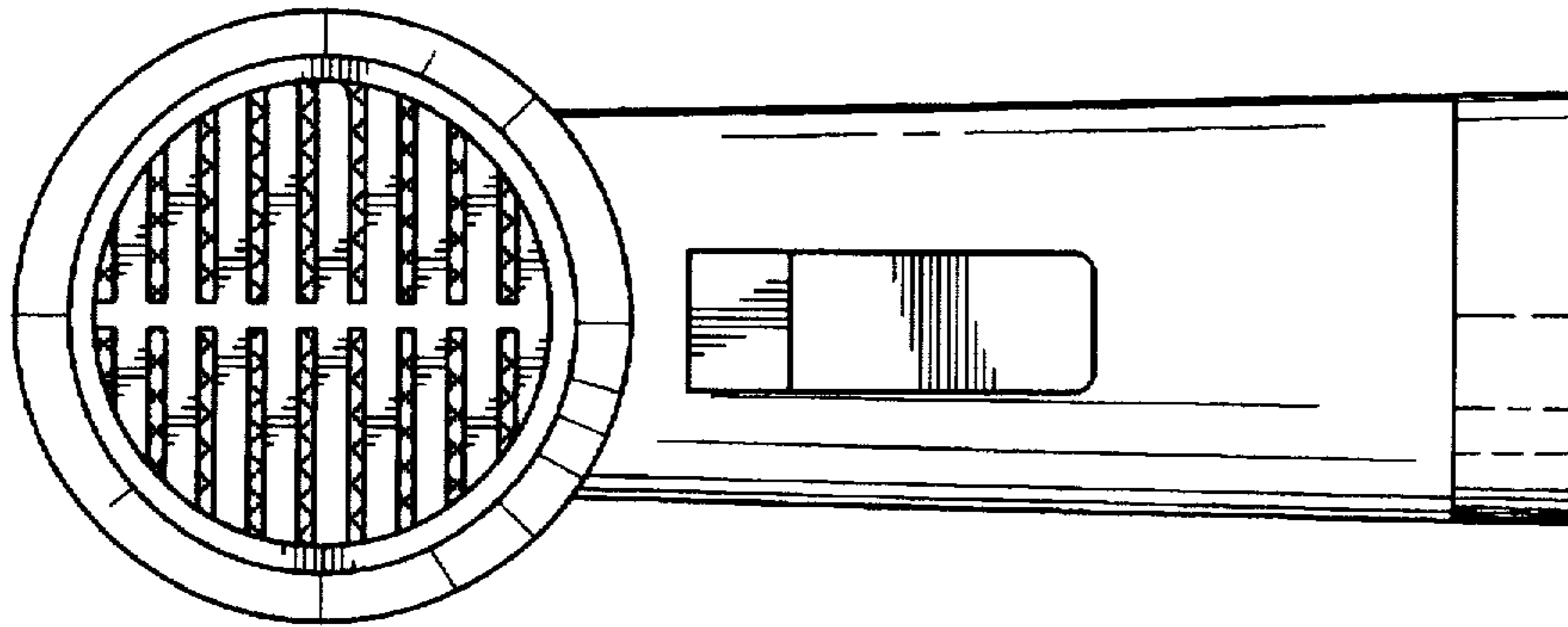


FIG. 2

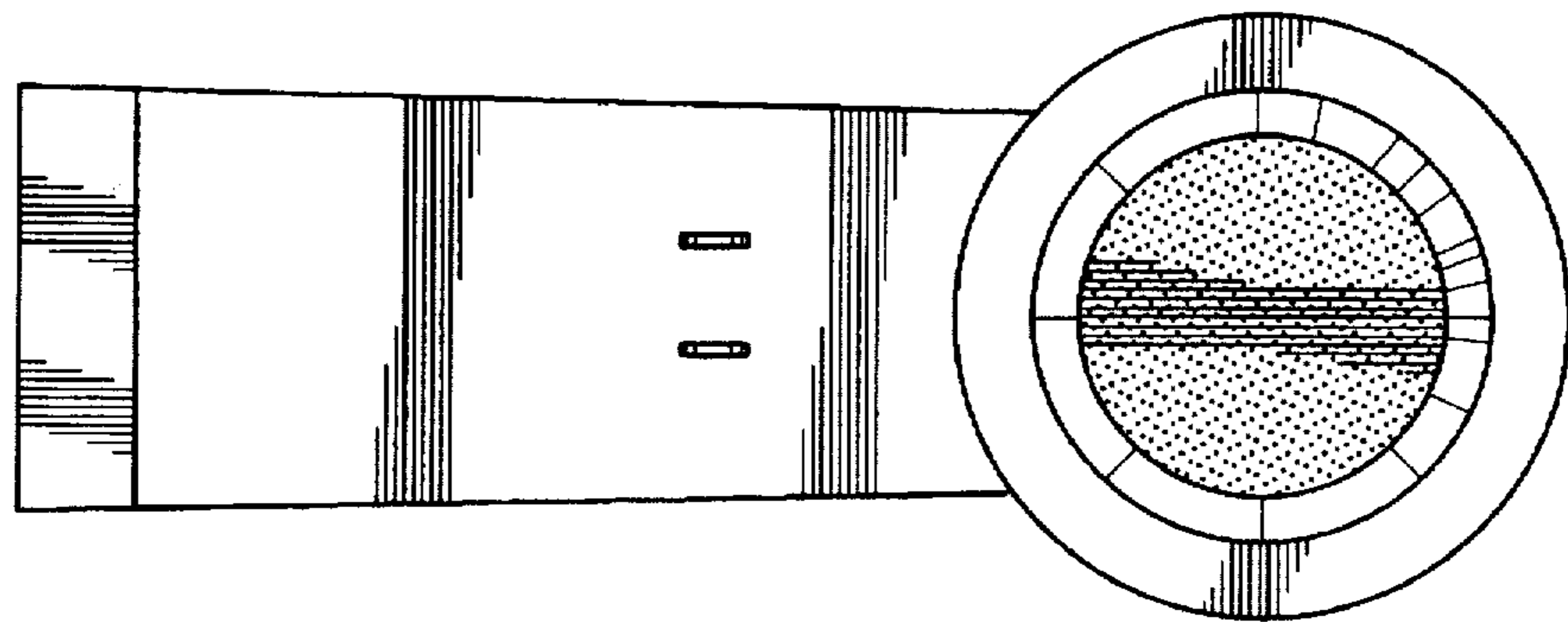


FIG. 3

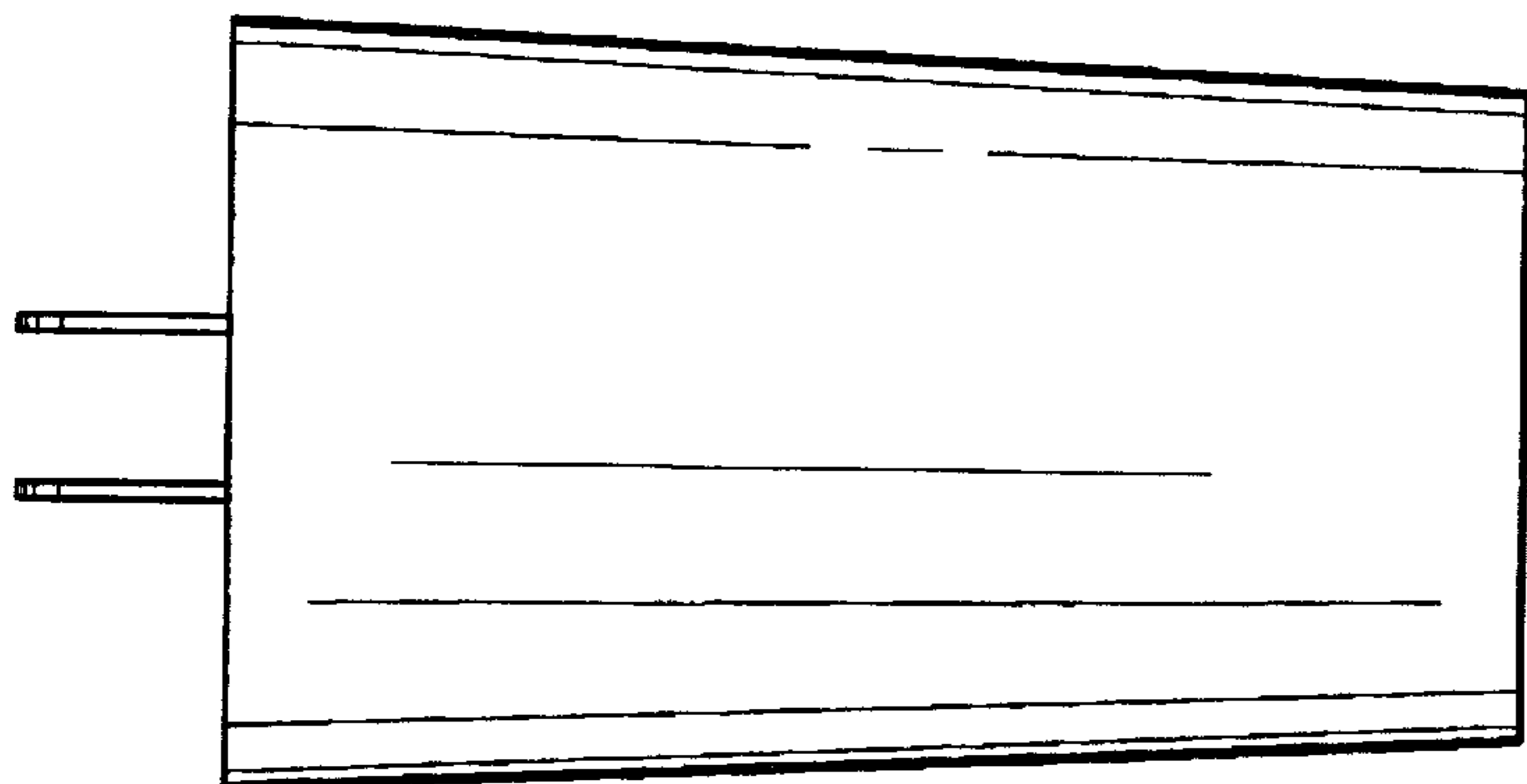


FIG. 4

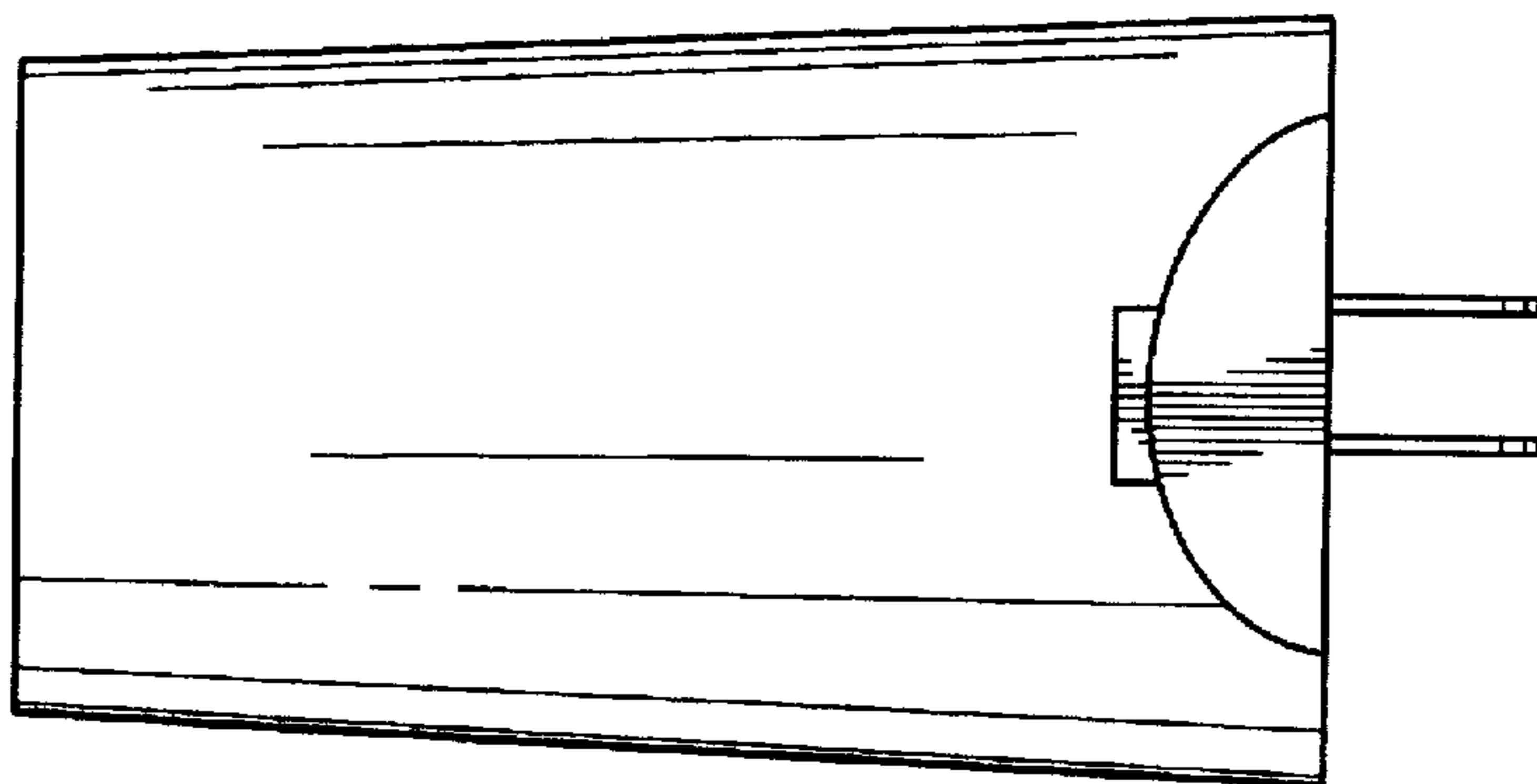


FIG. 5

