

US00D386810S

United States Patent [19]

Porter et al.

[11] Patent Number: **Des. 386,810**

[45] Date of Patent: ****Nov. 25, 1997**

[54] WALL LAMP SUPPORT

[75] Inventors: **David H. Porter**, Chagrin Falls; **Libbe A. Milicia**, North Royalton, both of Ohio

[73] Assignee: **The L.D. Kichler Co.**, Cleveland, Ohio

[**] Term: **14 Years**

[21] Appl. No.: **52,839**

[22] Filed: **Apr. 10, 1996**

[51] LOC (6) Cl. **26-05**

[52] U.S. Cl. **D26/145; D26/92**

[58] Field of Search **D26/72, 80-92, D26/138, 141-145, 155; 362/147, 404-408, 432**

[56] References Cited

U.S. PATENT DOCUMENTS

| | | | | |
|-----------|---------|----------|-------|-----------|
| D. 54,431 | 2/1920 | MacBeth | | D26/87 |
| D. 67,423 | 5/1925 | Walker | | D26/87 |
| 1,246,533 | 11/1917 | Bosworth | | 248/200 |
| 5,544,851 | 8/1996 | Moore | | 362/432 X |

OTHER PUBLICATIONS

Progress Lighting catalog, p. 130, wall lantern #P5991-25, Group 2900-ceiling lamp box, 1990.

Kichler Lighting catalog dated Jul. 1994, p. S-24, printed U.S.A.

Primary Examiner—Susan J. Lucas

Attorney, Agent, or Firm—Watts, Hoffmann, Fisher & Heinke, Co., L.P.A.

[57] CLAIM

The ornamental design for a wall lamp support, as shown and described.

DESCRIPTION

FIG. 1 is a perspective view of a wall lamp support showing our new design;

FIG. 2 is a right side elevational view of the wall lamp support, the left side elevational view being a mirror image;

FIG. 3 is a front elevational view of the wall lamp support;

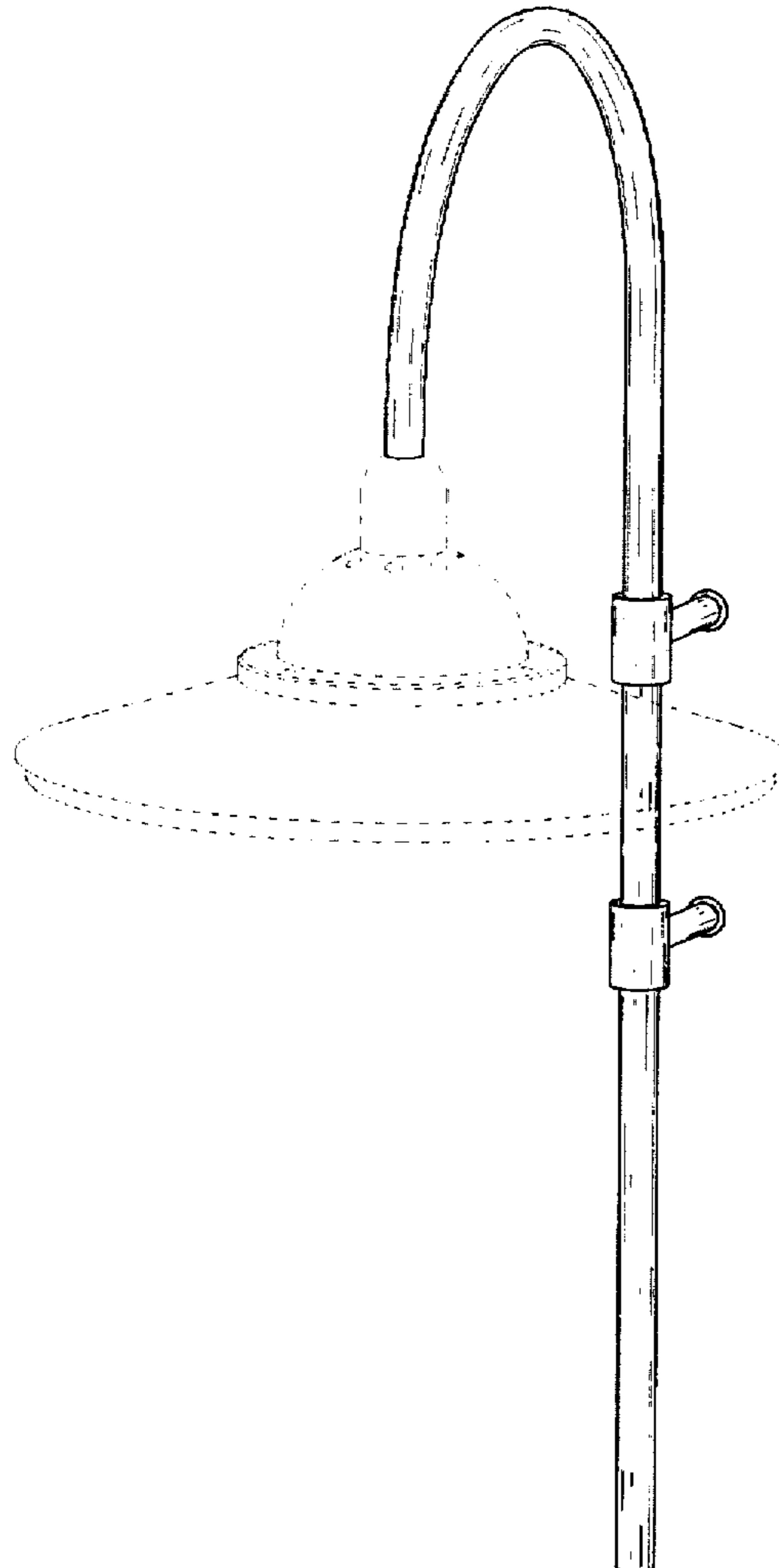
FIG. 4 is a rear elevational view of the wall lamp support;

FIG. 5 is a top plan view of the wall lamp support; and,

FIG. 6 is a bottom plan view of the wall lamp support.

The shade shown in broken lines is for illustrative purposes only.

1 Claim, 3 Drawing Sheets



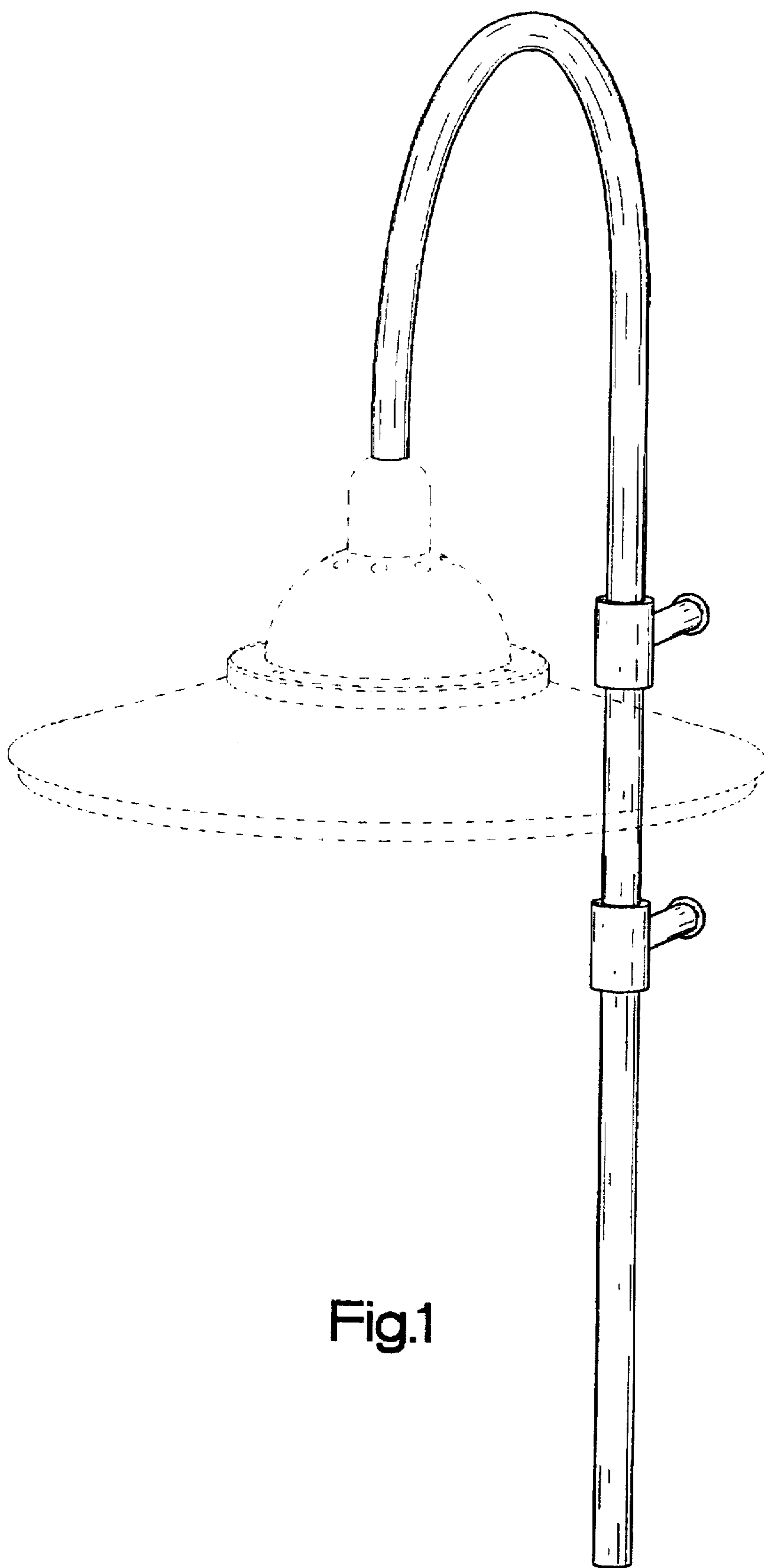


Fig.1

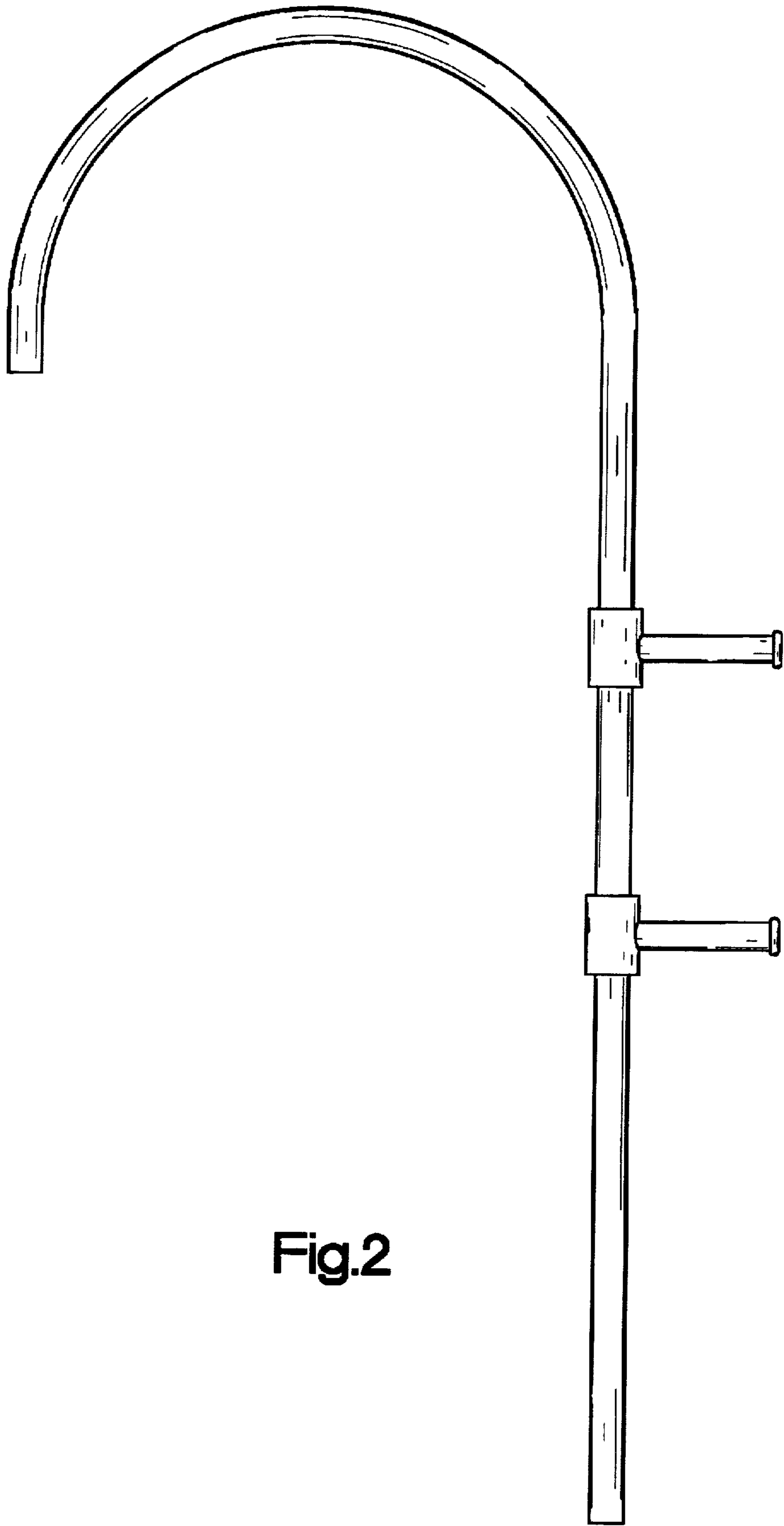


Fig.2

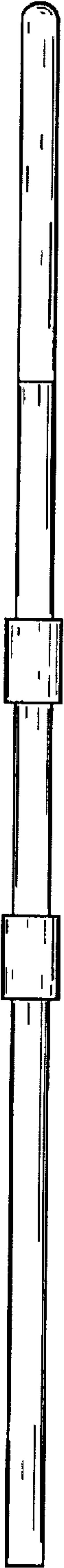


Fig.3

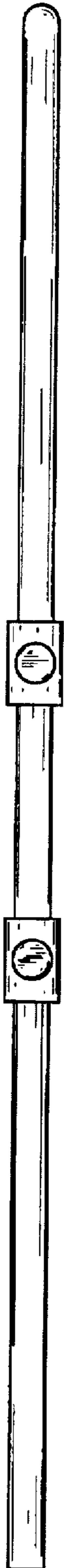


Fig.4

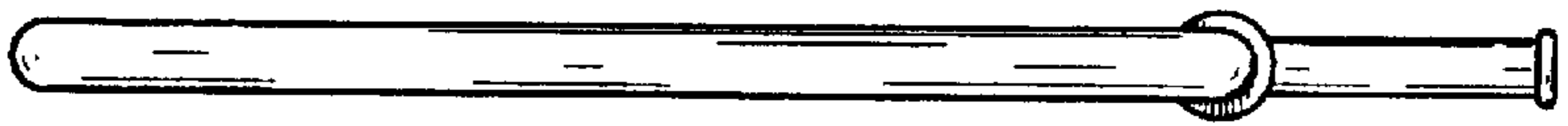


Fig.5



Fig.6