



US00D386809S

United States Patent [19]
Swanson

[11] **Patent Number: Des. 386,809**

[45] **Date of Patent: **Nov. 25, 1997**

[54] **DESK LAMP**

[75] **Inventor: Dennis K. Swanson, Woodland Hills, Calif.**

[73] **Assignee: Lamps Plus, Inc., Chatsworth, Calif.**

[**] **Term: 14 Years**

[21] **Appl. No.: 46,184**

[22] **Filed: Nov. 8, 1995**

[51] **LOC (6) Cl. 26-05**

[52] **U.S. Cl. D26/110**

[58] **Field of Search D26/93, 102-112; 362/410-414**

[56] **References Cited**

U.S. PATENT DOCUMENTS

- D. 106,835 11/1937 Stewart D26/102
- D. 316,308 4/1991 Clyde-Mason D26/110

OTHER PUBLICATIONS

Applied Arts in Denmark, 1948, p. 94, Table Lamp.

Primary Examiner—Susan J. Lucas

Attorney, Agent, or Firm—Robbins, Berliner & Carson, LLP

[57] **CLAIM**

The ornamental design for a desk lamp, as shown and described.

DESCRIPTION

FIG. 1 is a front elevational view of a desk lamp in accordance with the design of the invention;

FIG. 2 is a top plan view thereof;

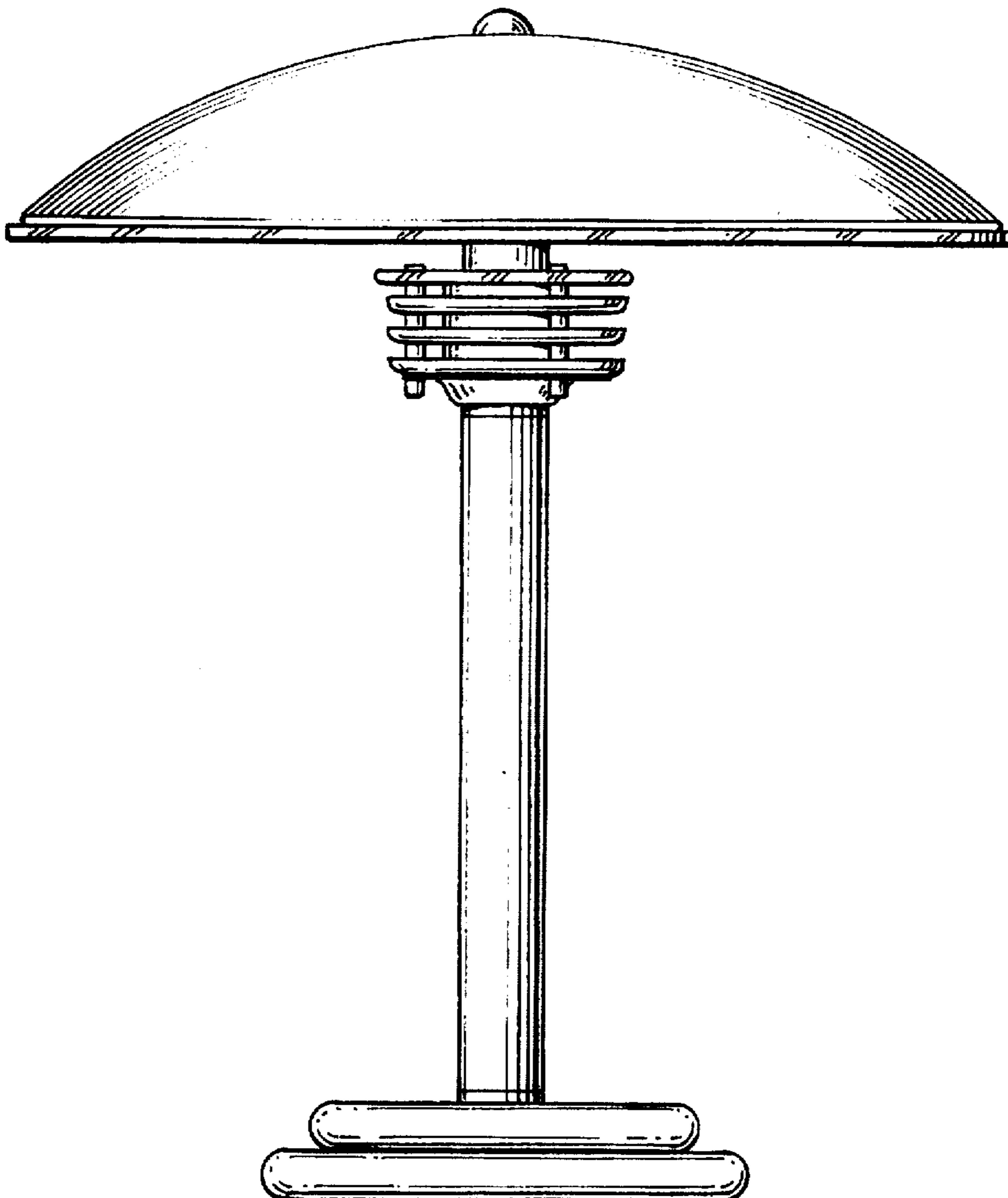
FIG. 3 is a right side view thereof, the left side view is a mirror image of FIG. 3;

FIG. 4 is a bottom view thereof;

FIG. 5 is a perspective view from the bottom thereof; and,

FIG. 6 is an enlarged cross-sectional view taken along lines 6-6 of FIG. 3.

1 Claim, 3 Drawing Sheets



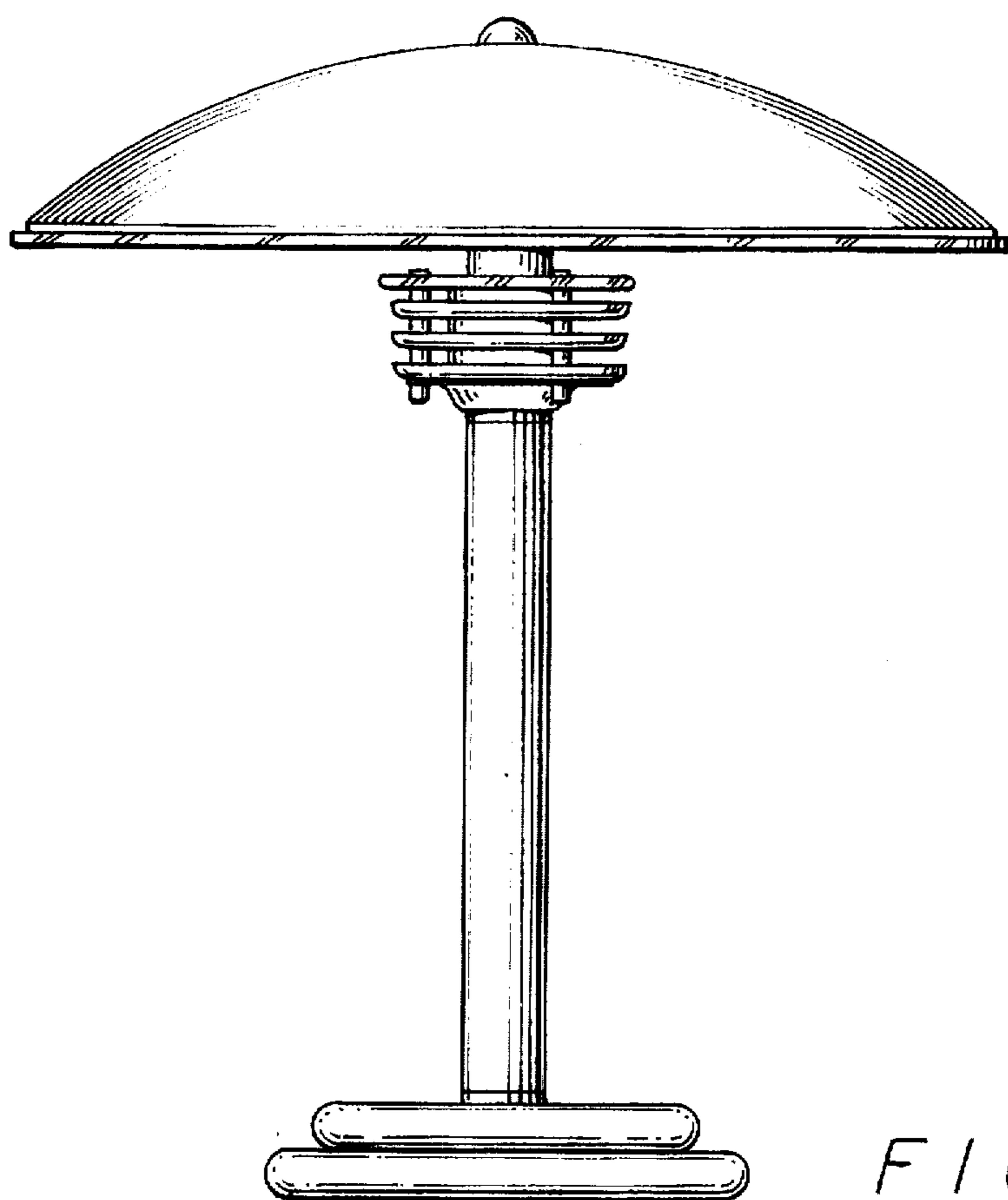
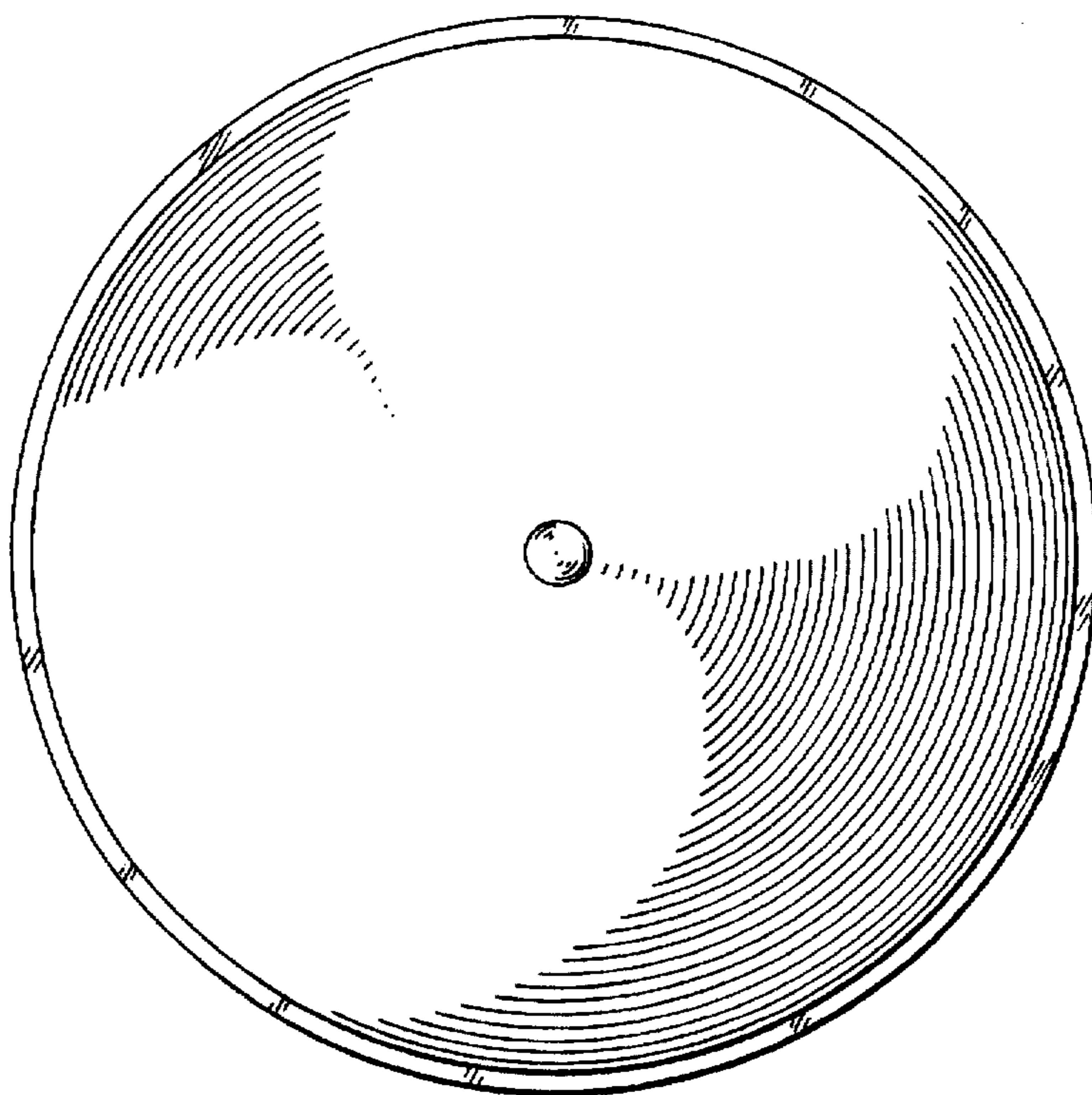


FIG. 1

FIG. 2



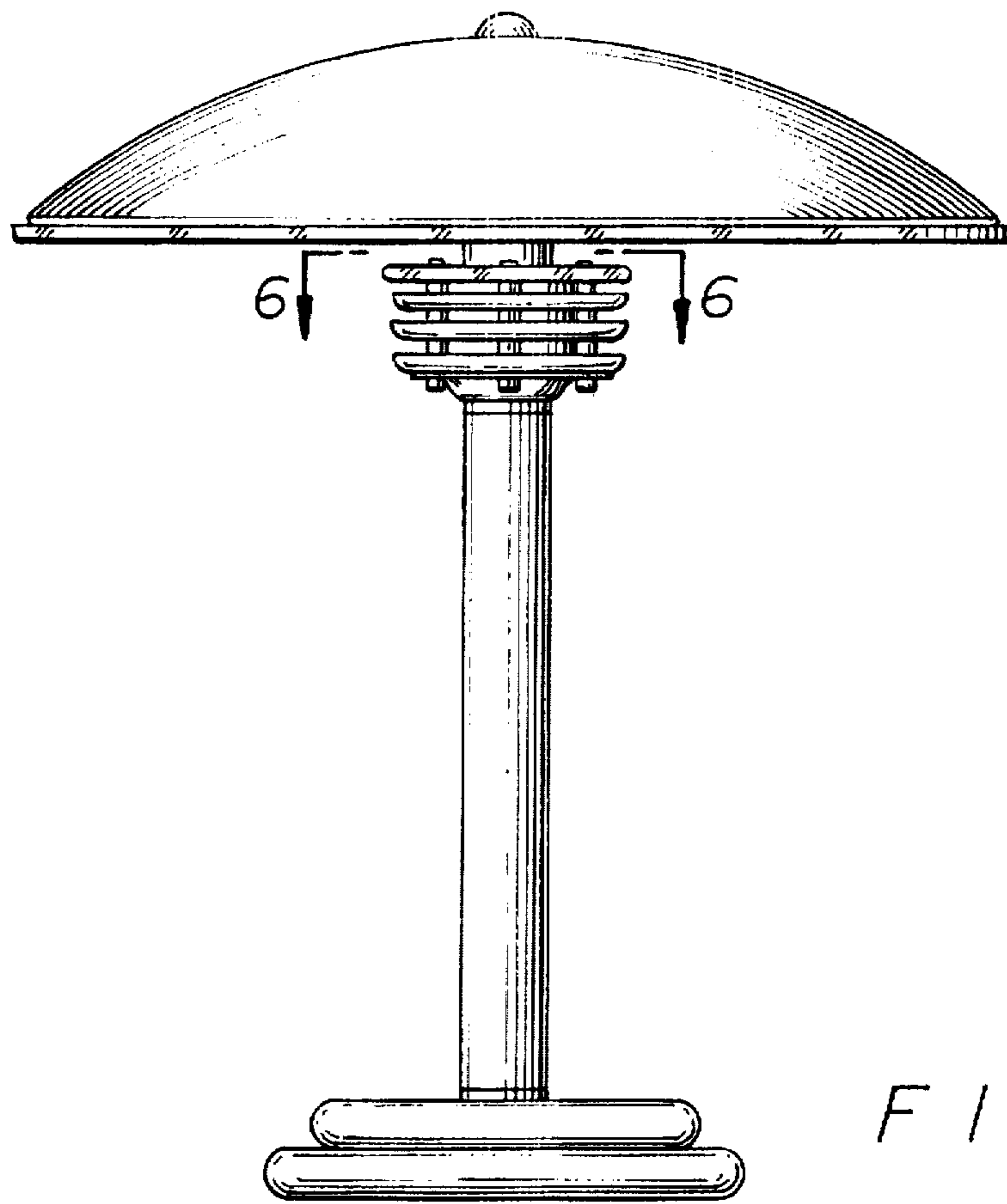
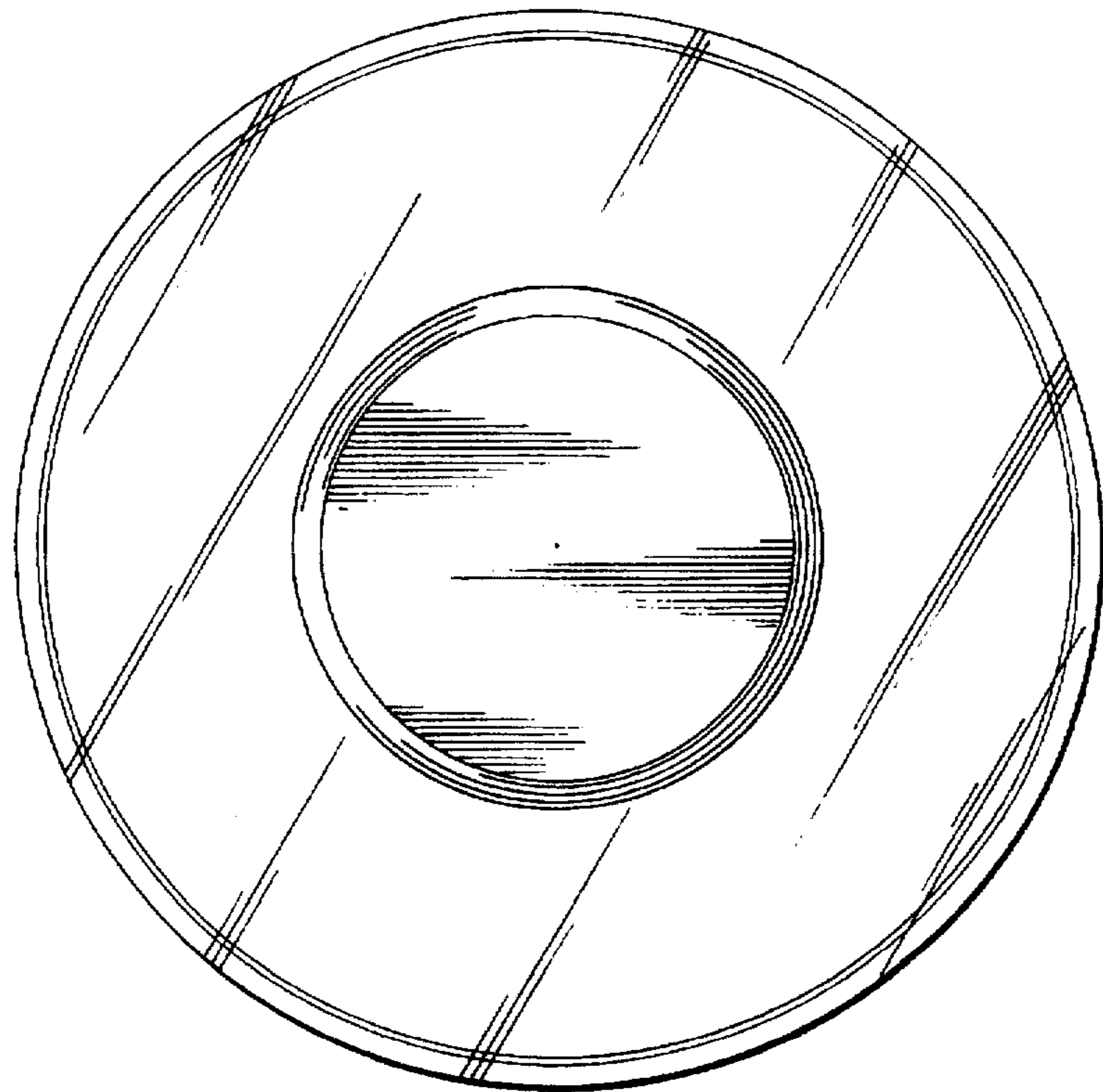


FIG. 3

FIG. 4



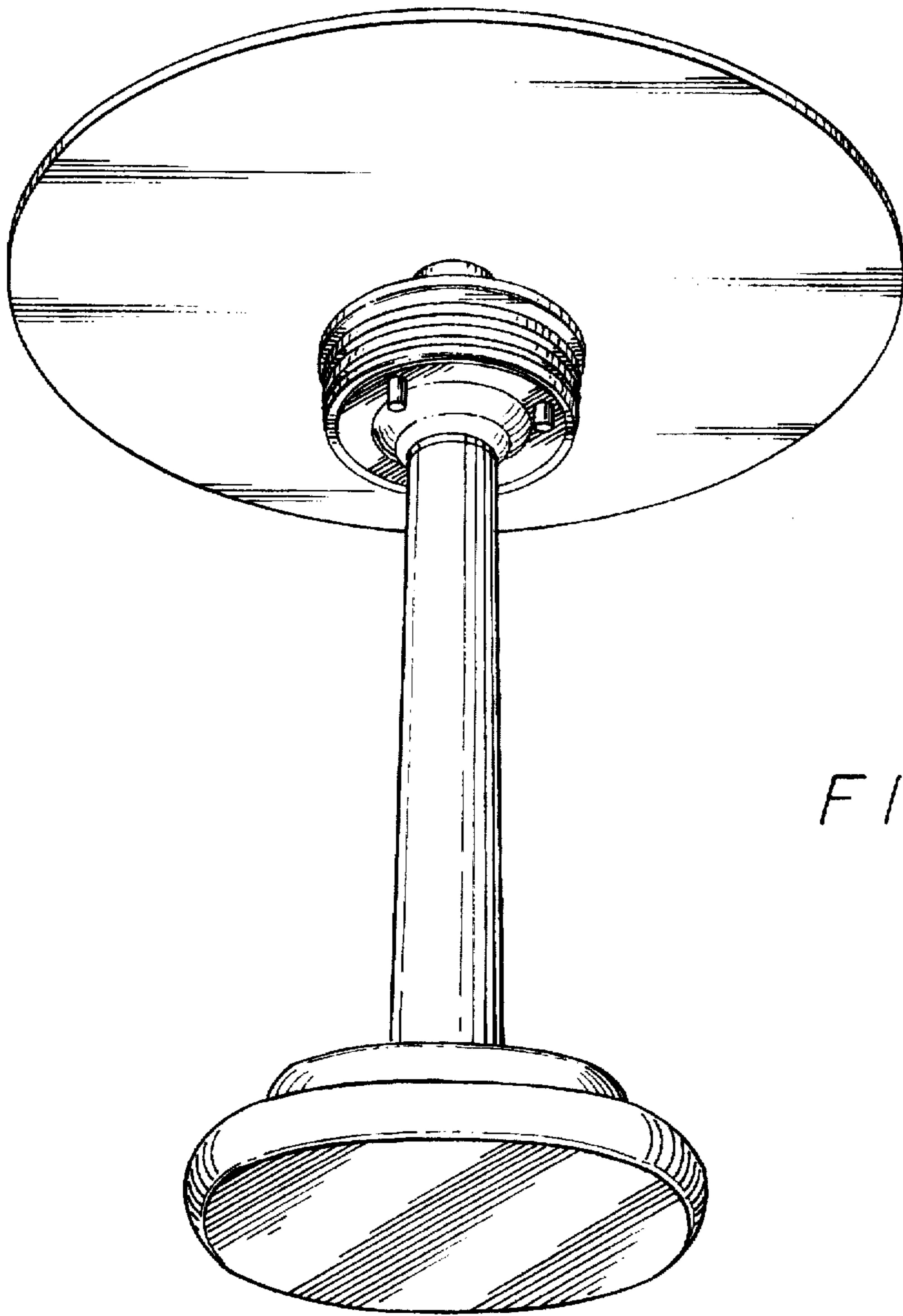


FIG. 5

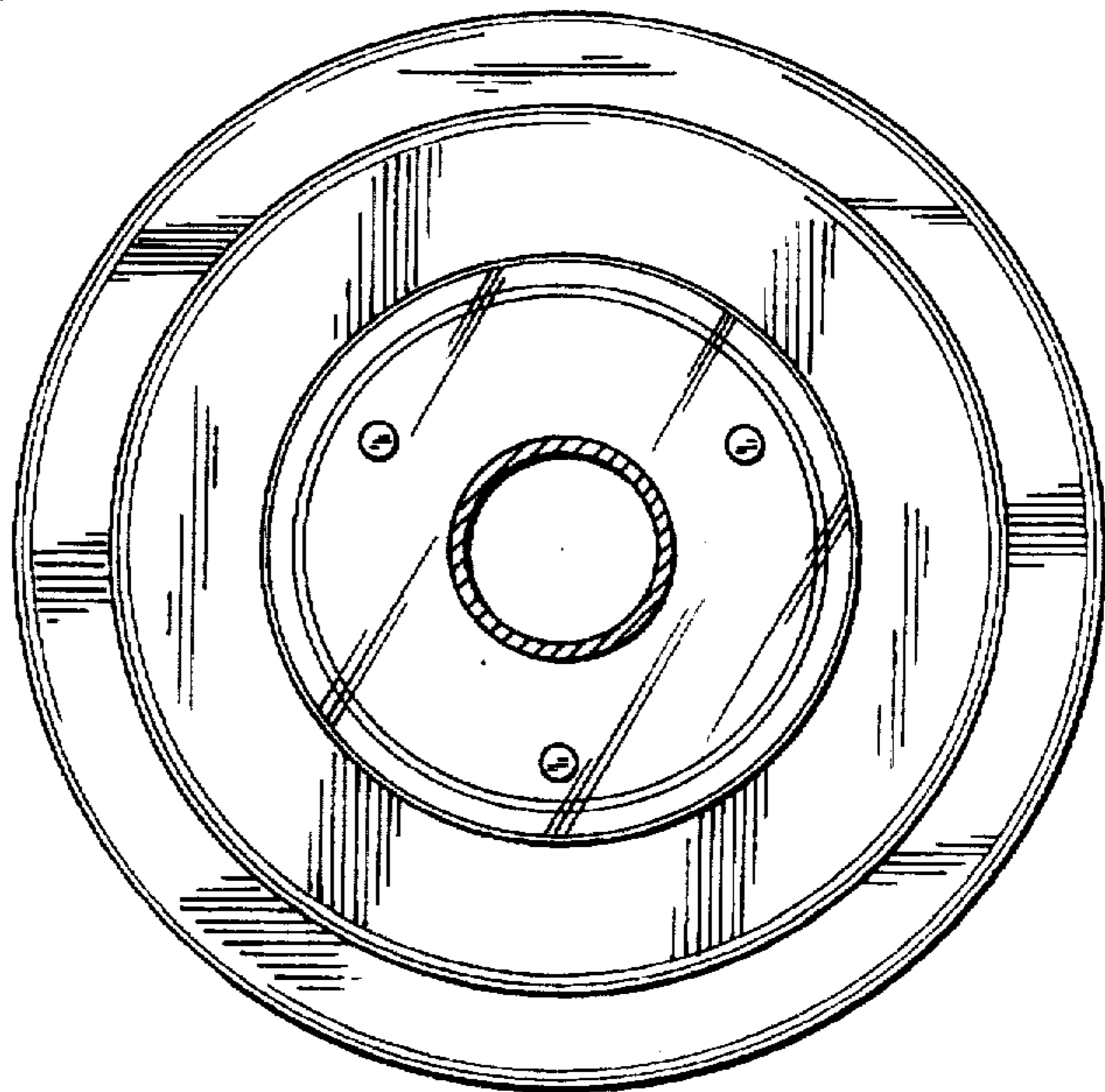


FIG. 6