



US00D386807S

# United States Patent [19]

Moonshine-Voelker et al.

[11] Patent Number: **Des. 386,807**

[45] Date of Patent: **\*\*Nov. 25, 1997**

[54] HEART AND STAR LIGHT

2,917,853 12/1959 Lawsby ..... 362/807

[75] Inventors: **Marlene Moonshine-Voelker, McLean, Va.; Aaron Szymanski, Bristol, Conn.**

*Primary Examiner*—Susan J. Lucas  
*Attorney, Agent, or Firm*—Stroock & Stroock & Lavan

[73] Assignee: **Sells Floto, Inc., Vienna, Va.**

[57] **CLAIM**

[\*\*] Term: **14 Years**

The ornamental design for our heart and star light, as shown.

[21] Appl. No.: **58,979**

**DESCRIPTION**

[22] Filed: **Aug. 29, 1996**

FIG. 1 is a top plan view of a design for a heart and star light in accordance with the instant invention;

[51] LOC (6) Cl. .... **26-05**

FIG. 2 is a front elevational view of the heart and star light design depicted in FIG. 1;

[52] U.S. Cl. .... **D26/94; D21/59**

FIG. 3 is a bottom plan view of the heart and star light design depicted in FIG. 1;

[58] Field of Search ..... **D26/93, 102-112, D26/94; 362/410-414, 806, 121; D21/59, 61, 64, 65, 47**

FIG. 4 is a side elevational view of the heart and star light depicted in FIG. 1, the opposite side elevational view being identical thereto in mirror image; and,

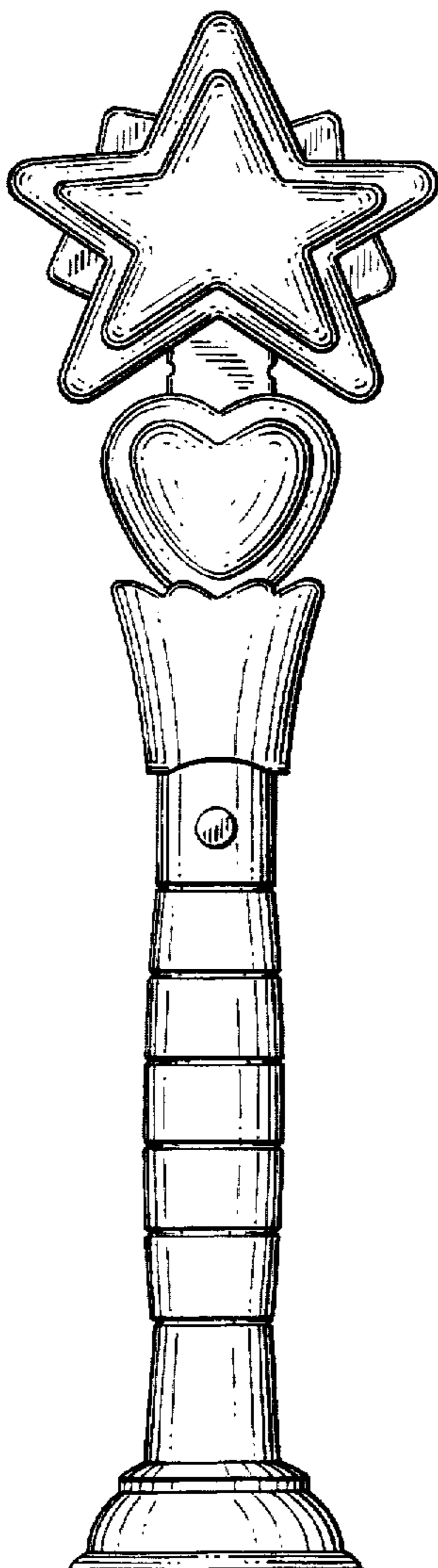
[56] **References Cited**

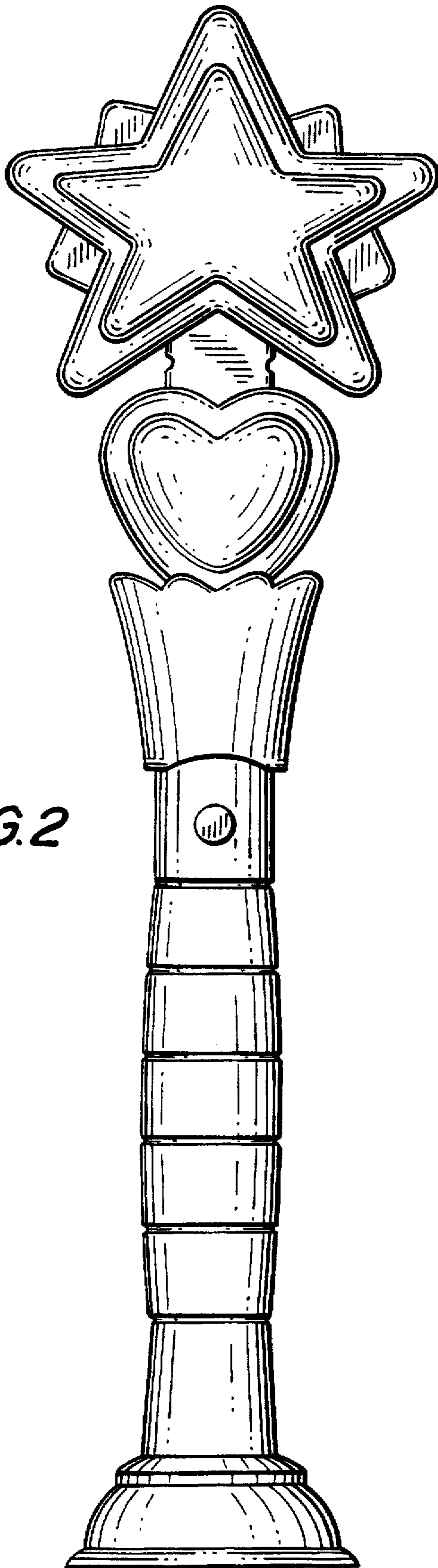
FIG. 5 is a rear elevational view of the heart and star light design depicted in FIG. 1.

**U.S. PATENT DOCUMENTS**

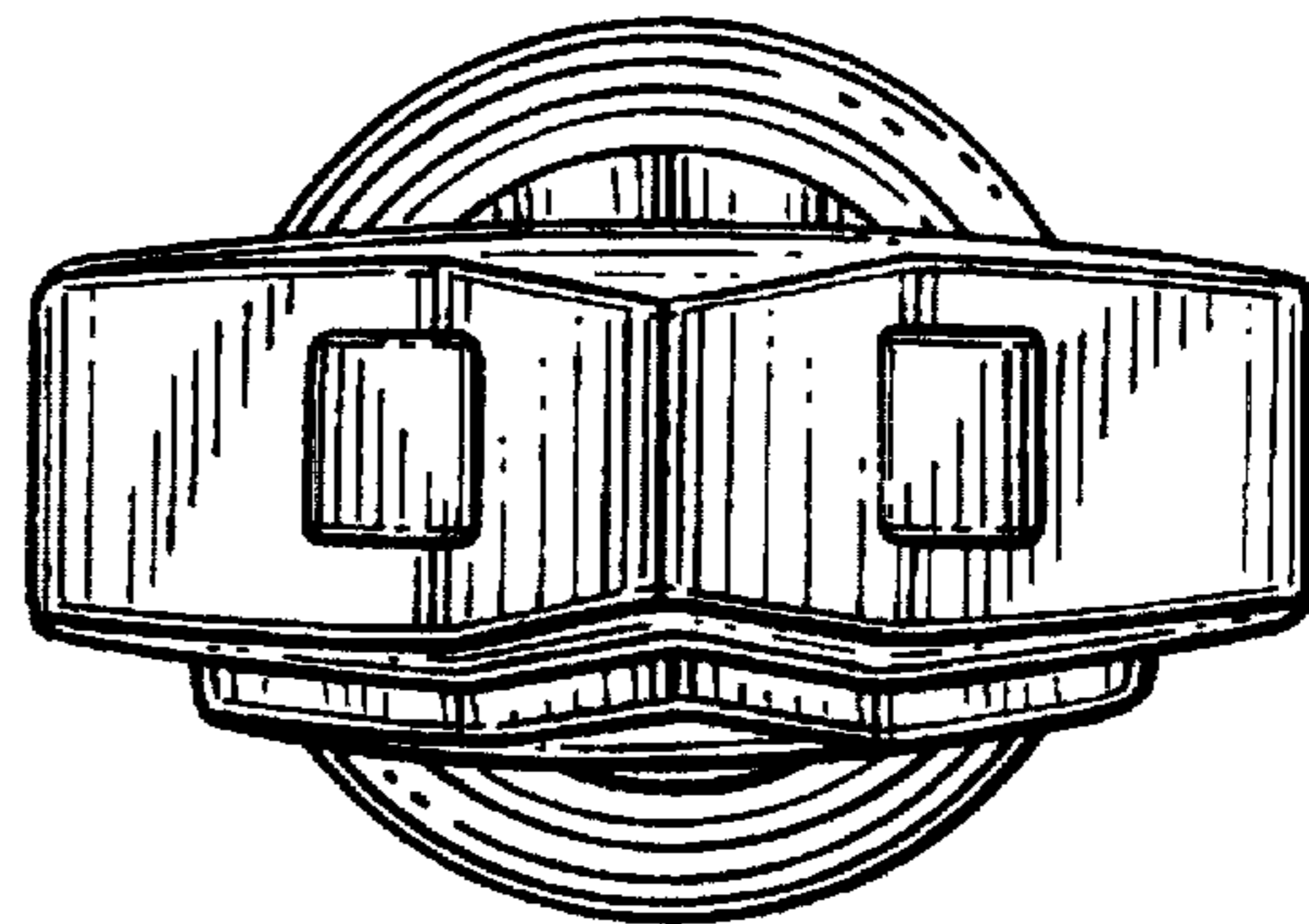
D. 372,276 7/1996 Choi ..... D21/59  
2,132,297 10/1938 Horowitz ..... 362/807 X

**1 Claim, 2 Drawing Sheets**

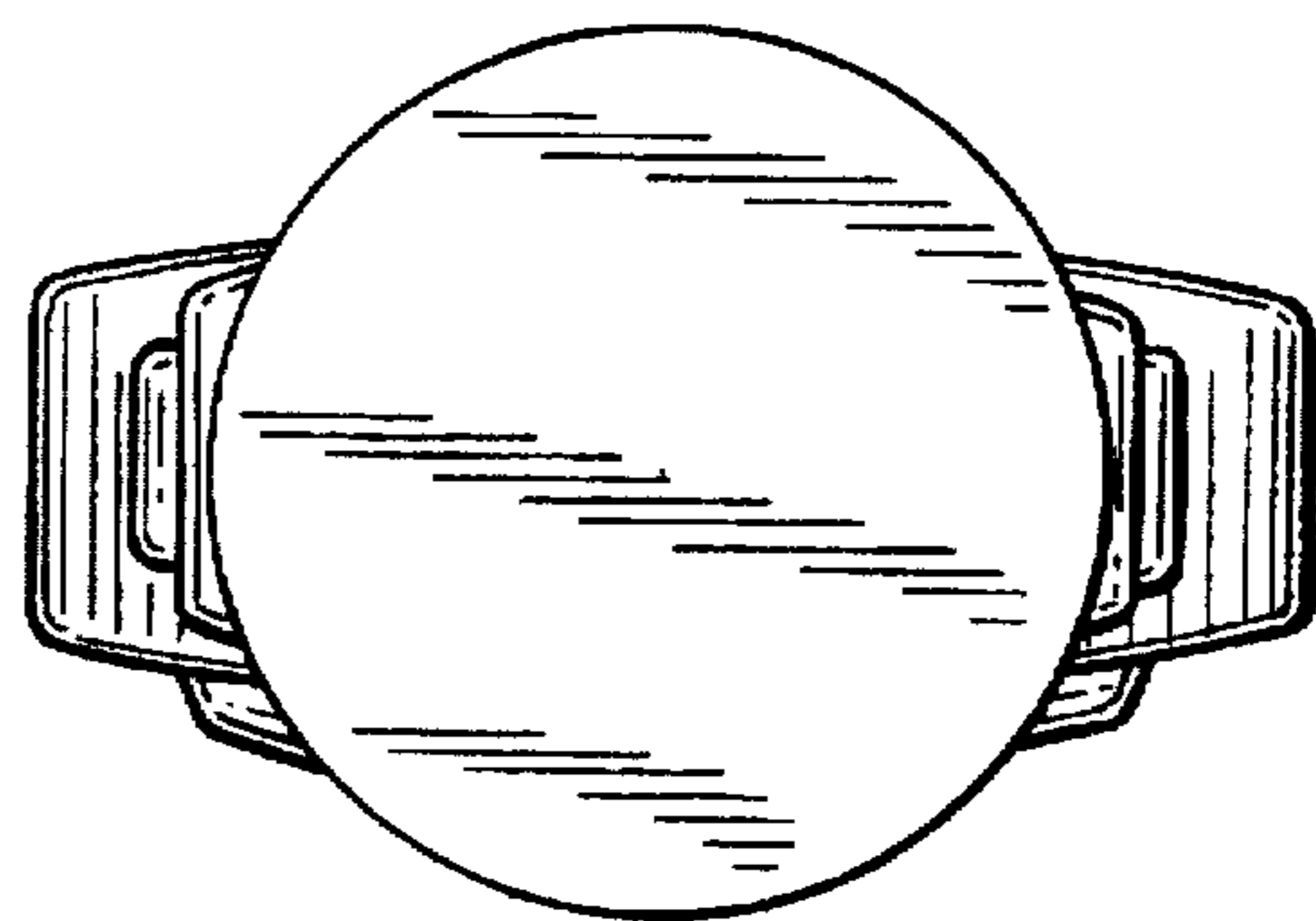




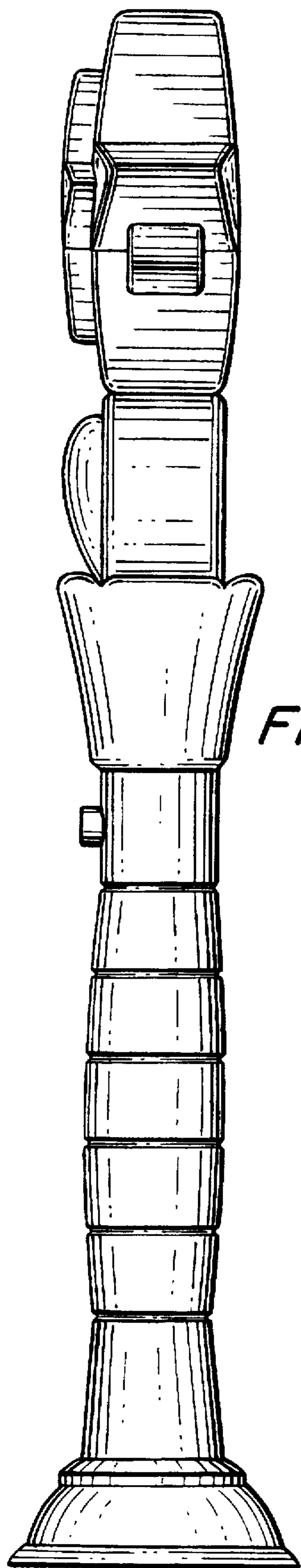
*FIG. 2*



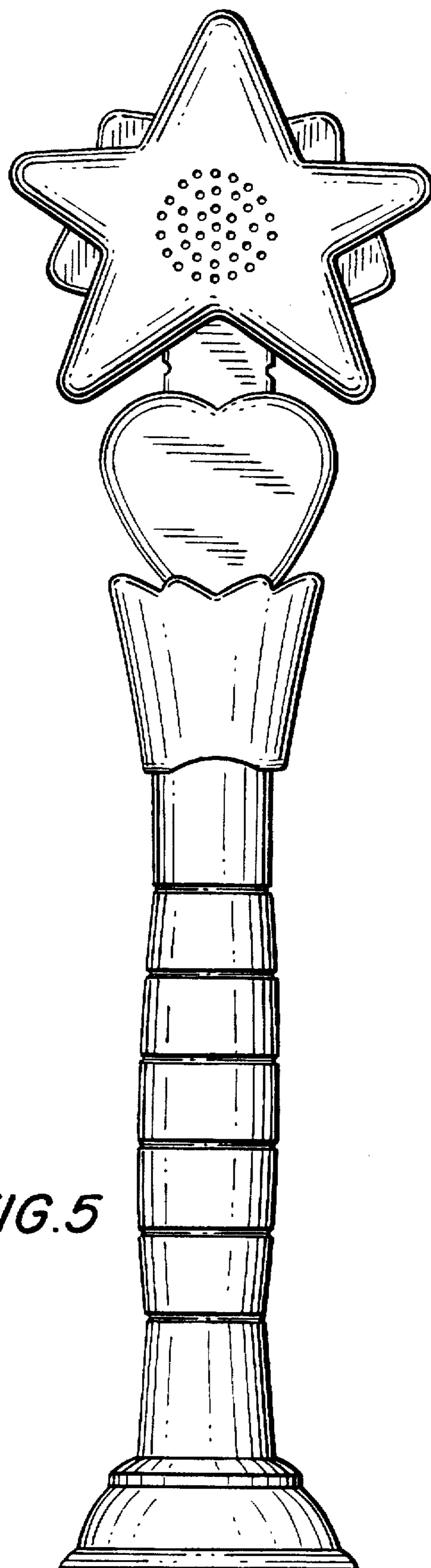
*FIG. 1*



*FIG. 3*



*FIG. 4*



*FIG. 5*