



US00D386802S

**United States Patent** [19]  
**Kim**

[11] **Patent Number: Des. 386,802**

[45] **Date of Patent: \*\*Nov. 25, 1997**

[54] **COMBINED EMERGENCY LIGHTS AND SMOKE DETECTOR UNIT**

*Primary Examiner—Susan J. Lucas  
Attorney, Agent, or Firm—Price, Gess & Ubell*

[76] **Inventor: Il Kim, 3400 Avenue of the Arts,  
A-115, Costa Mesa, Calif. 92626**

[57] **CLAIM**

[\*\*] **Term: 14 Years**

The ornamental design for combined emergency lights and smoke detector unit, as shown and described.

[21] **Appl. No.: 58,260**

**DESCRIPTION**

[22] **Filed: Aug. 9, 1996**

FIG. 1 is a perspective view of the combined emergency lights and smoke detector unit showing my new design;

[51] **LOC (6) Cl. .... 26-05**

FIG. 2 is a right side elevational view thereof;

[52] **U.S. Cl. .... D26/51; D10/104; D10/106**

FIG. 3 is a left side elevational view thereof;

[58] **Field of Search .... D26/63, 65, 51;**

FIG. 4 is a top plan view thereof;

362/147, 269, 275, 287, 418, 419, 427,

FIG. 5 is a front elevational view thereof;

276; D10/104, 106; 340/546, 628

FIG. 6 is a bottom plan view thereof;

[56] **References Cited**

FIG. 7 is a rear elevational view thereof; and,

**U.S. PATENT DOCUMENTS**

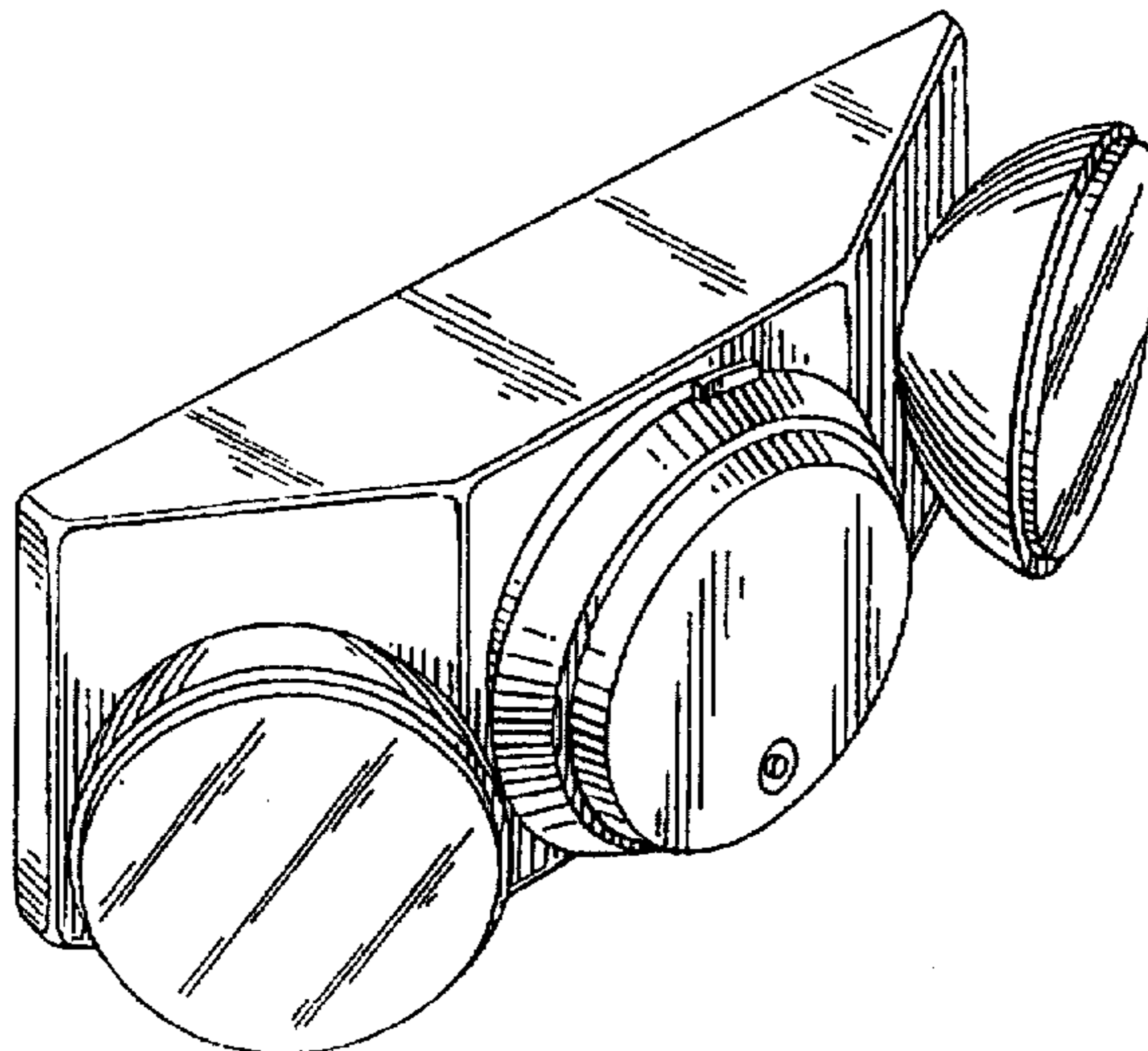
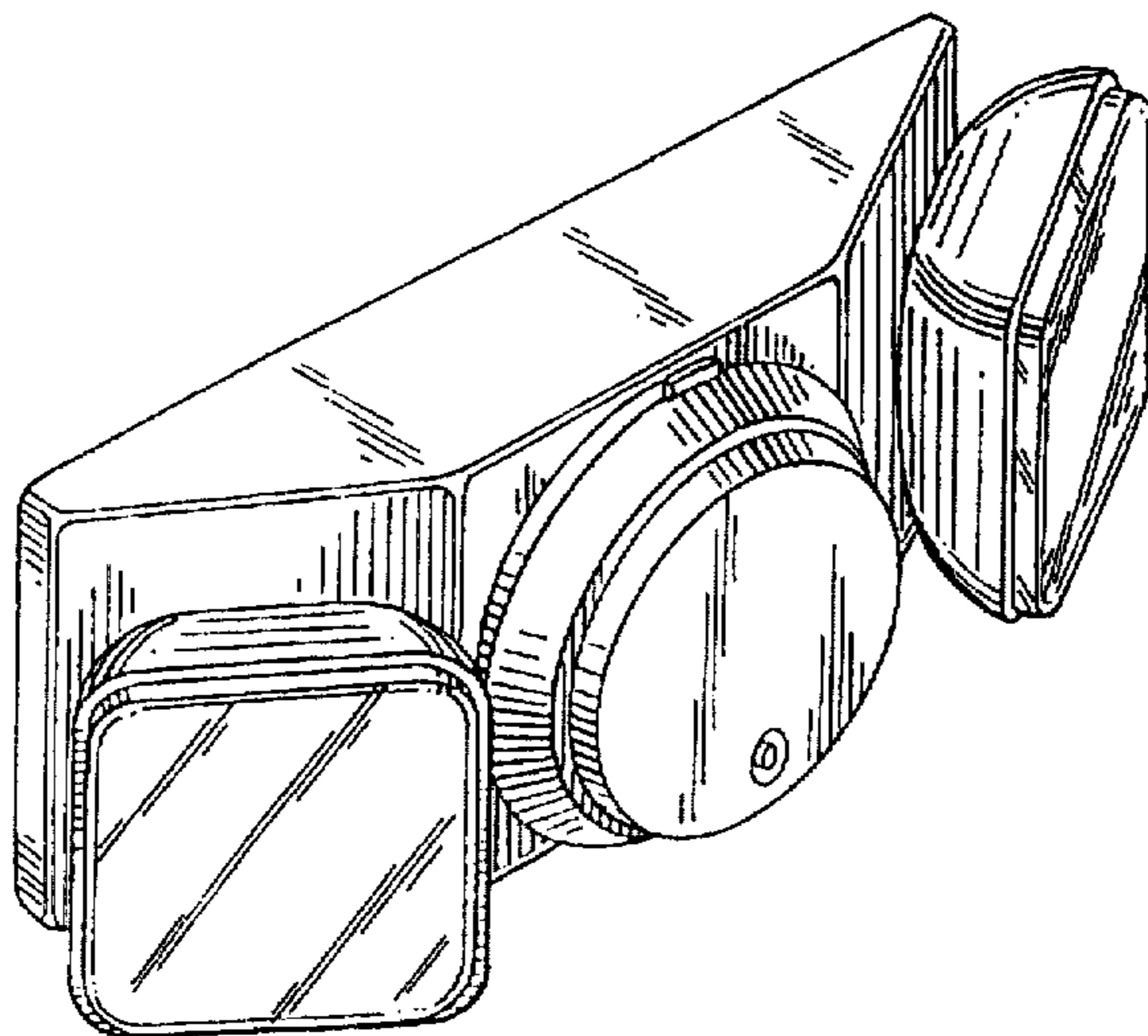
FIG. 8 is a perspective of a second embodiment of the new design, it being understood that the second embodiment differs from the first only by the shape of the lights.

D. 301,634 6/1989 DeCandia ..... D26/63

4,363,084 12/1982 Dimiceli ..... 362/427 X

4,380,792 4/1983 Terrel ..... 362/275 X

**1 Claim, 2 Drawing Sheets**



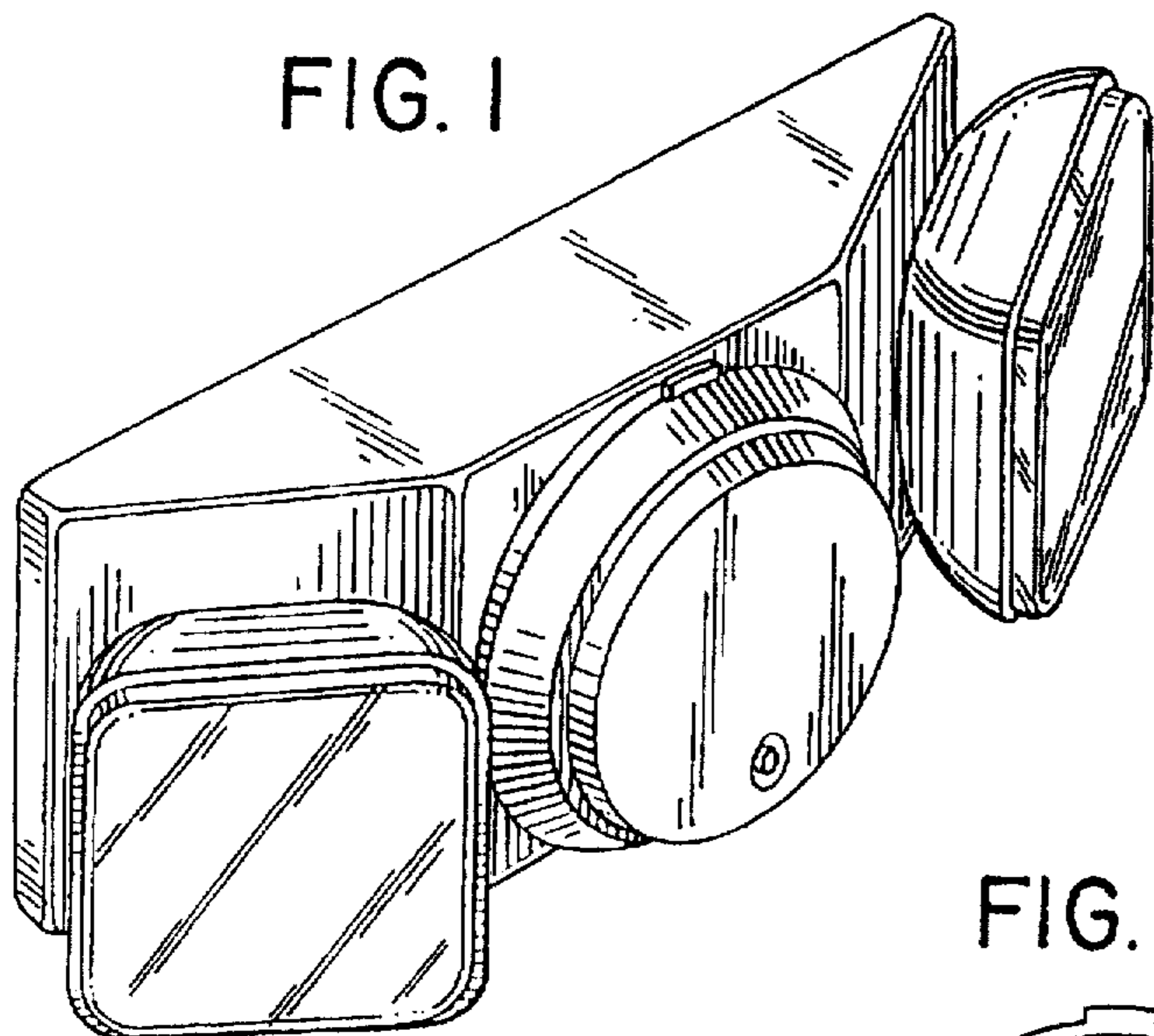


FIG. 2

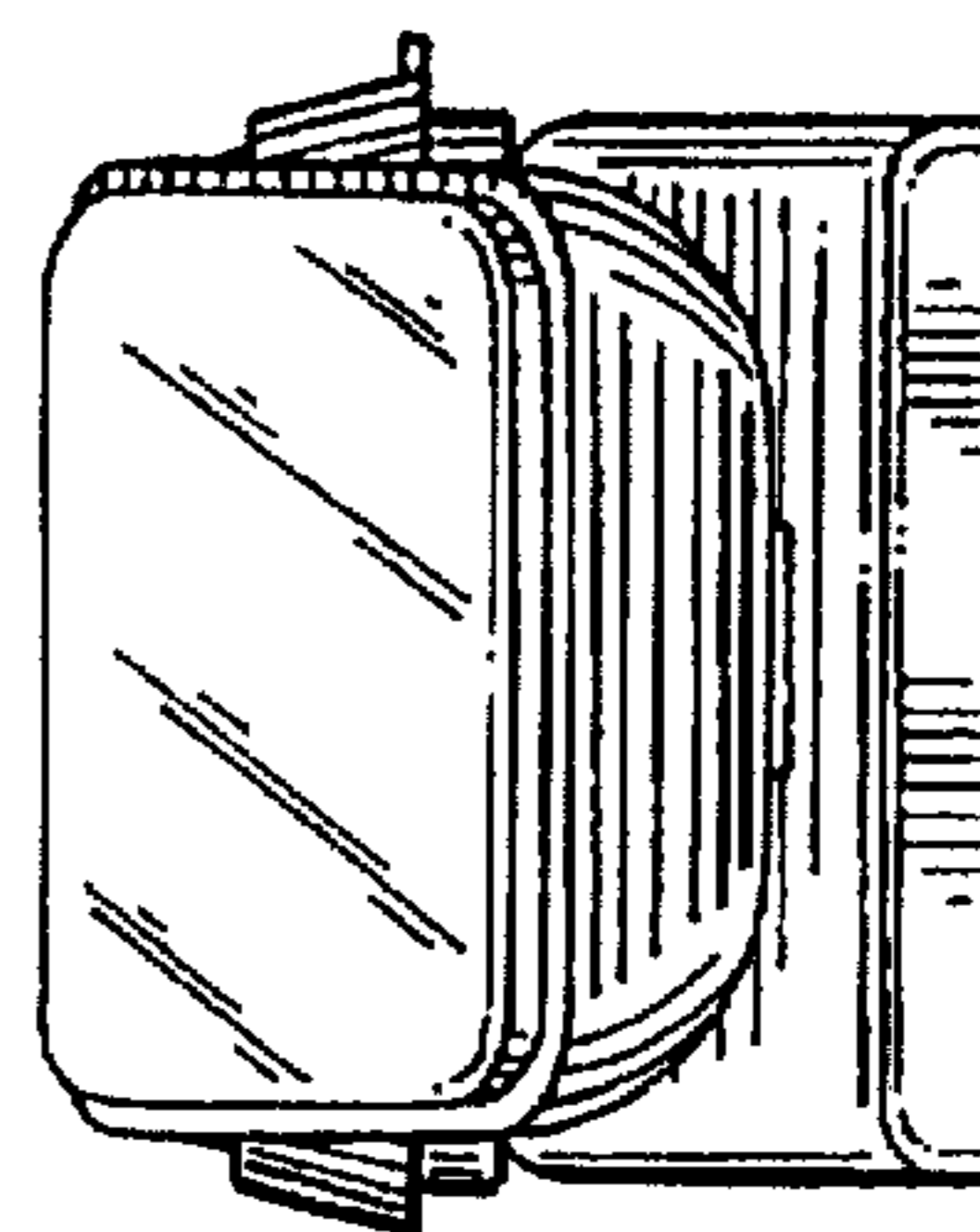


FIG. 3

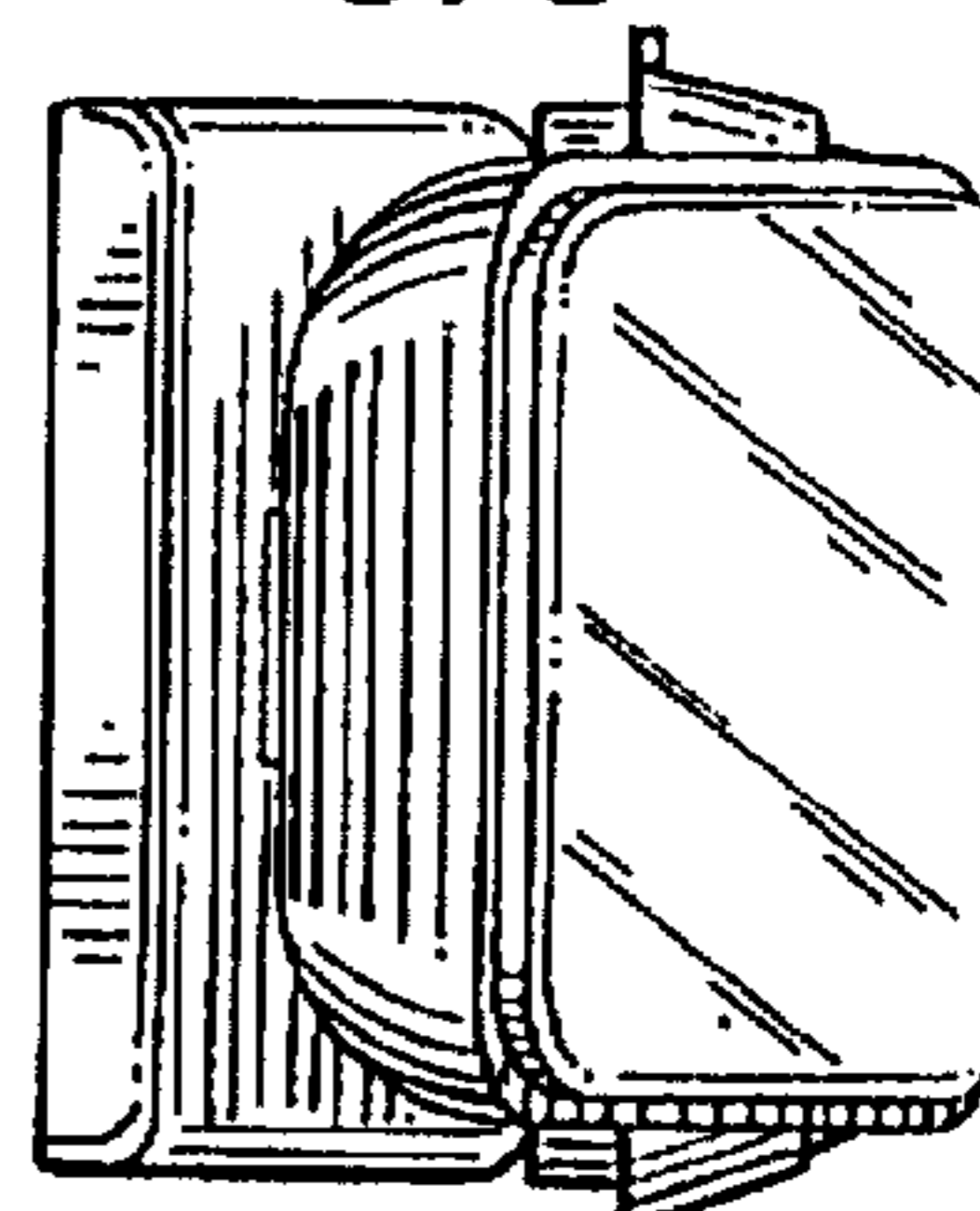


FIG. 7

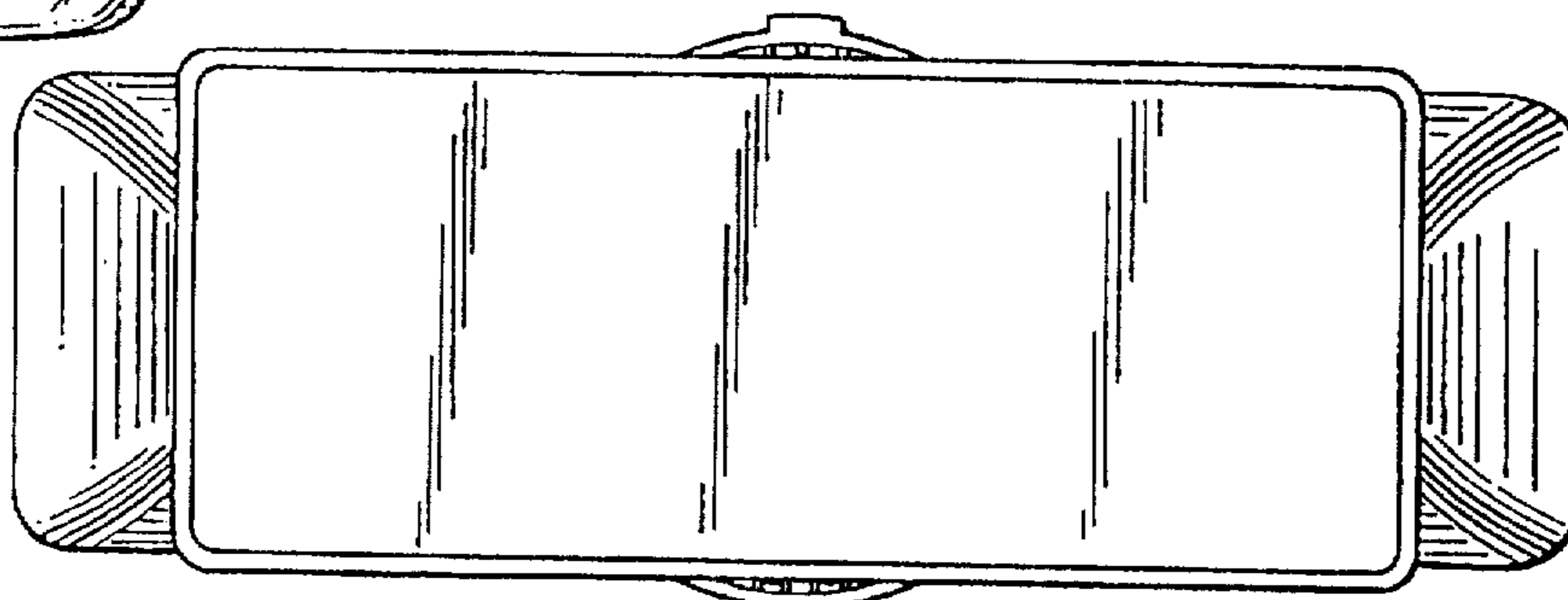


FIG. 8

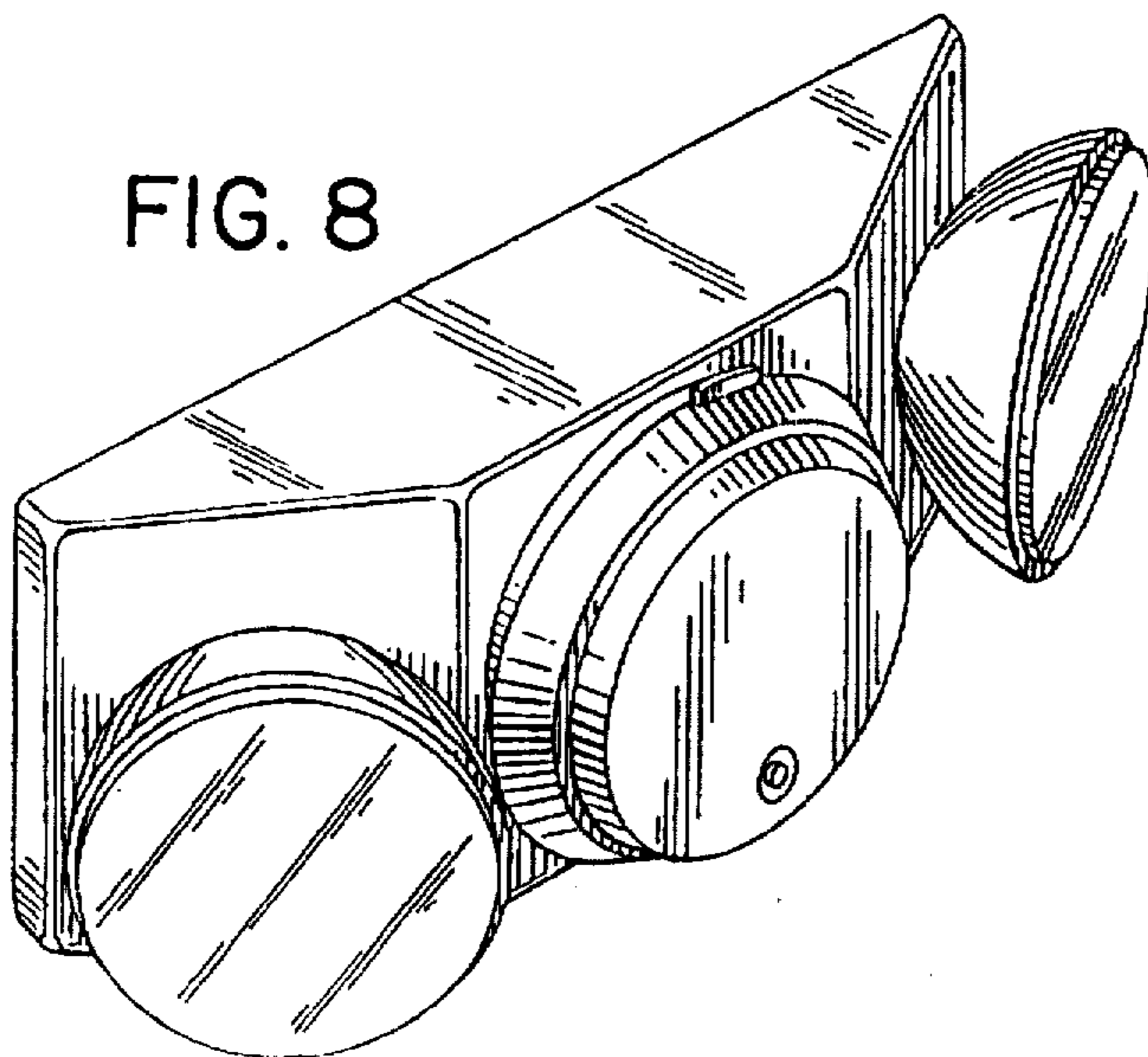


FIG. 4

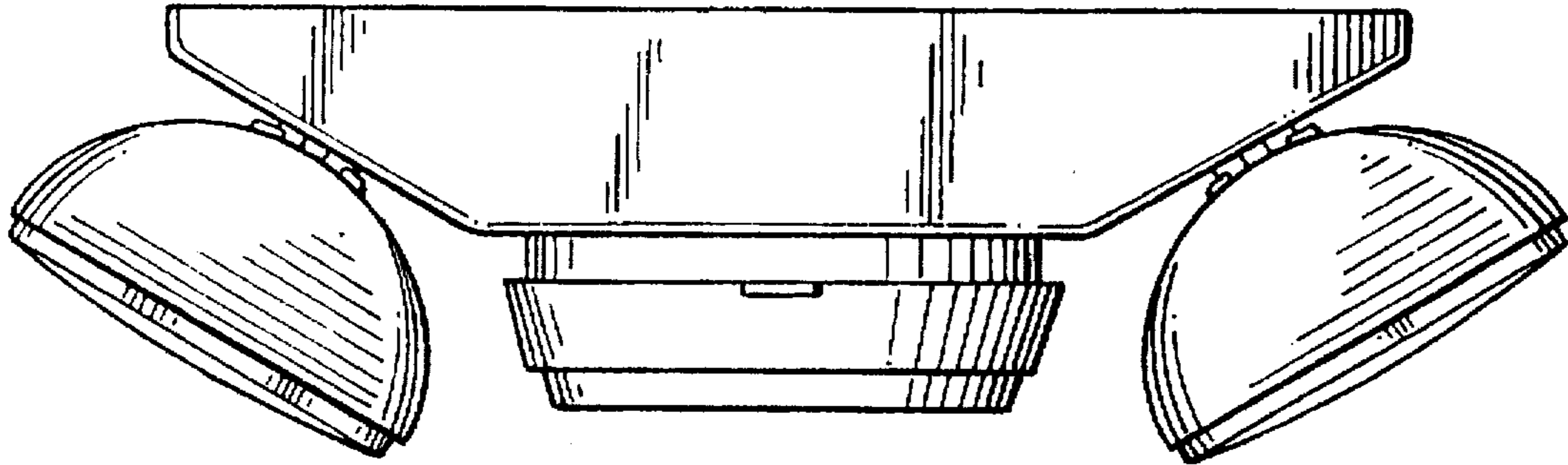


FIG. 5

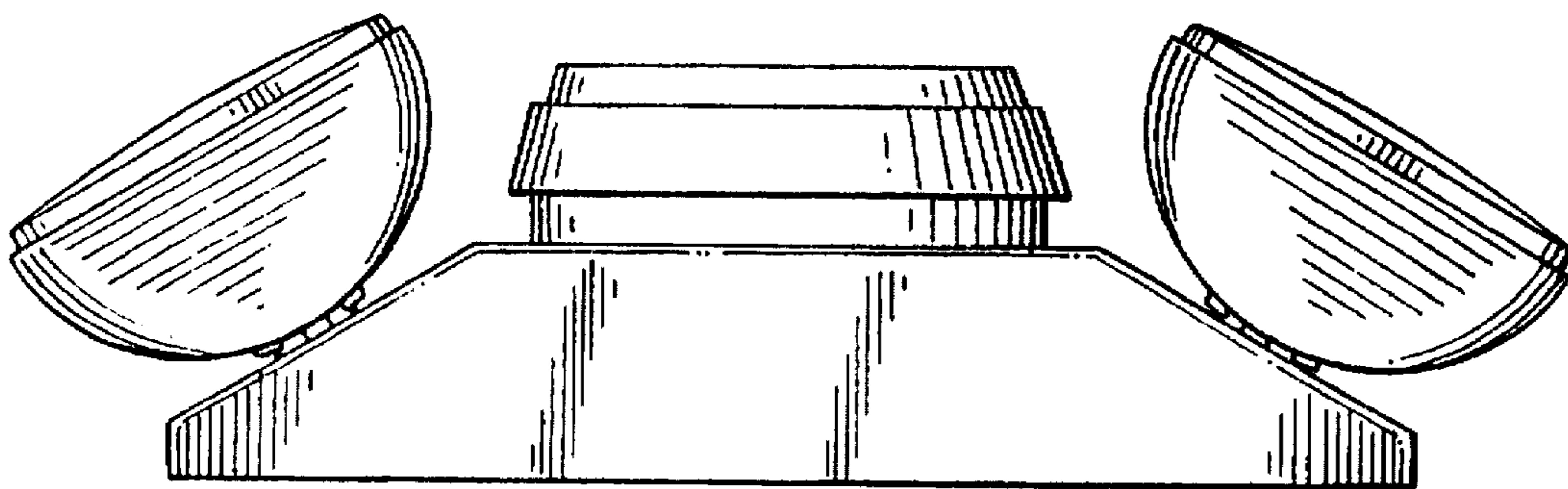
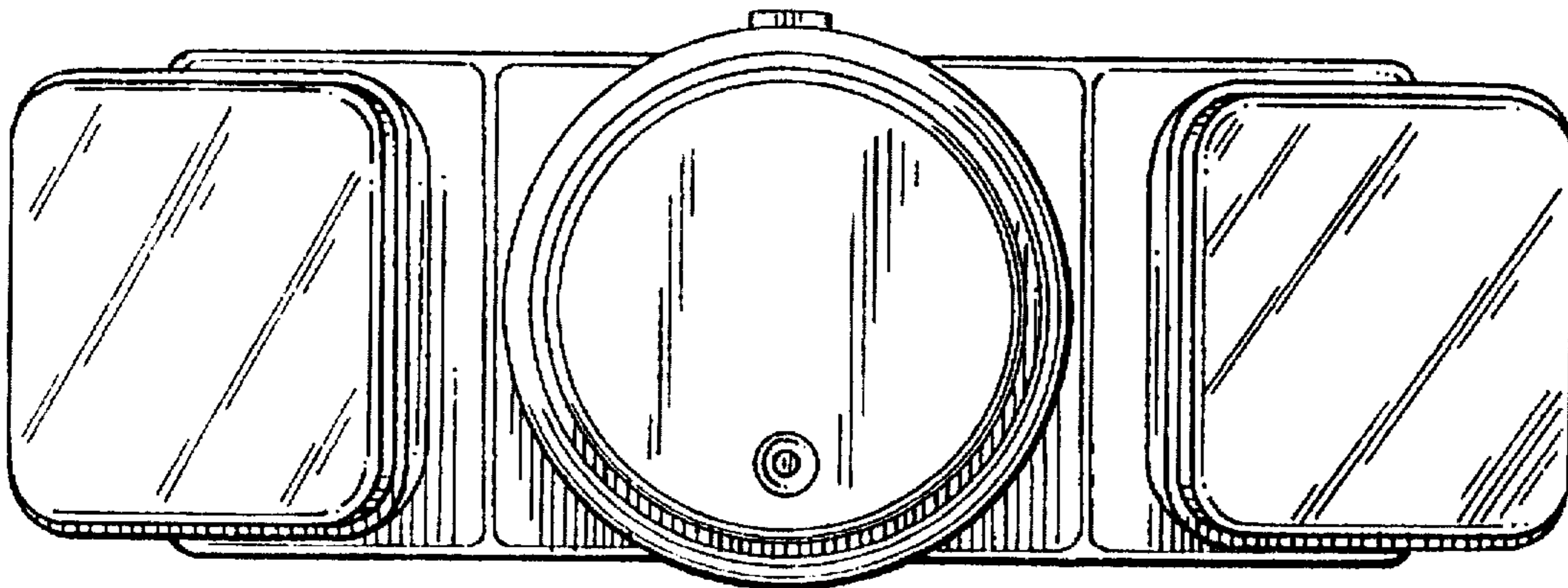


FIG. 6