



US00D386801S

**United States Patent** [19]  
**Orgovan**

[11] **Patent Number: Des. 386,801**  
[45] **Date of Patent: \*\*Nov. 25, 1997**

[54] **READING LIGHT BAR**  
[76] **Inventor: Donald J. Orgovan, 1614 S. Cotter Ave., Duarte, Calif. 91010**  
[\*\*] **Term: 14 Years**  
[21] **Appl. No.: 60,493**  
[22] **Filed: Sep. 30, 1996**  
[51] **LOC (6) Cl. .... 26-06**  
[52] **U.S. Cl. .... D26/31; D26/72; D26/28; D20/10**  
[58] **Field of Search .... D26/28, 29, 30, D26/31, 32; D20/10, 40; 40/606, 584, 540, 541, 591, 592, 593**

D. 349,517 8/1994 Neff ..... D26/31  
D. 355,675 2/1995 Craig ..... D20/10  
D. 374,191 10/1996 Terrebonne et al. .... D20/10

*Primary Examiner*—Marcus A. Jackson

[57] **CLAIM**

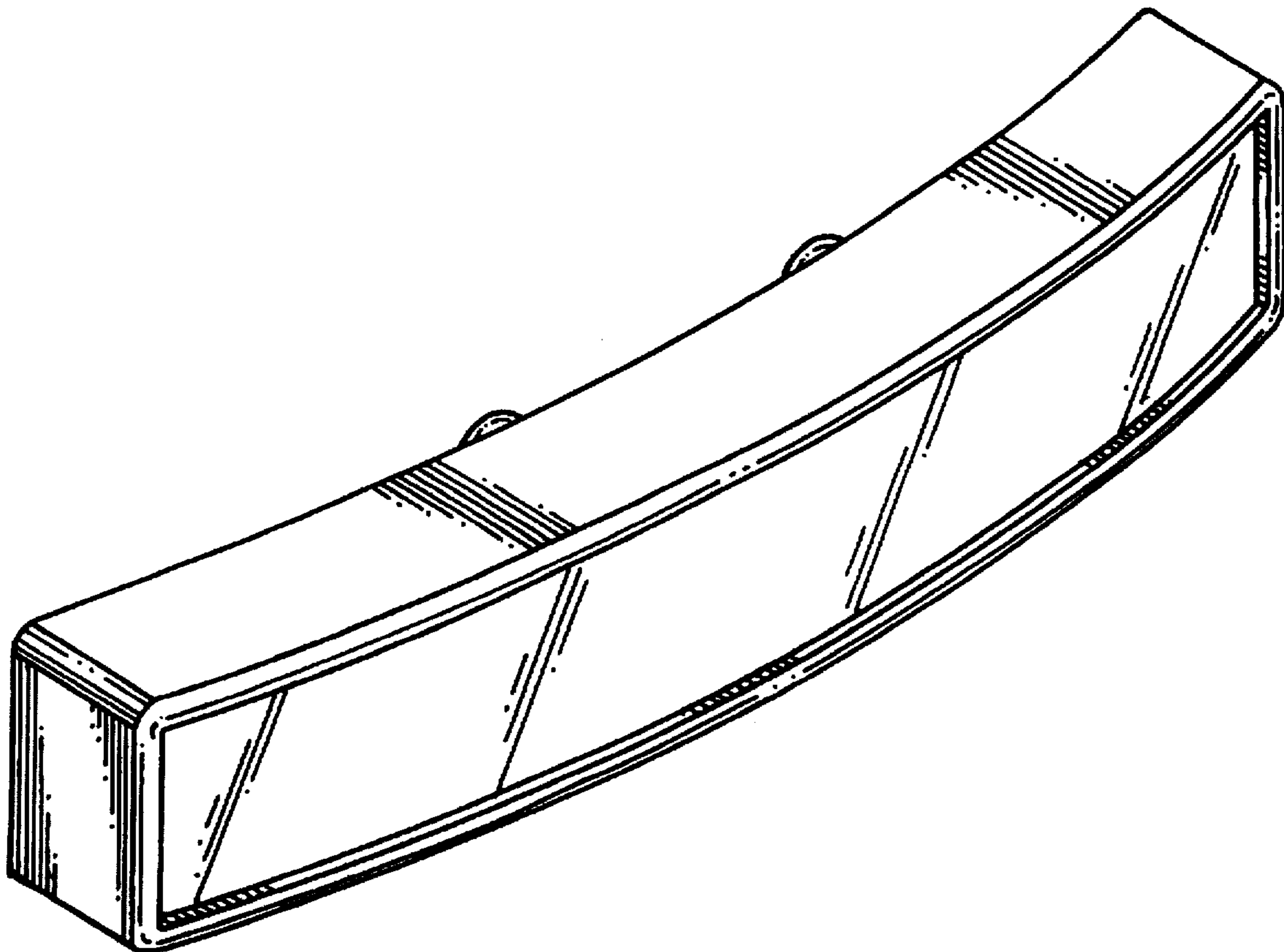
The ornamental design for a reading light bar, as shown and described.

**DESCRIPTION**

FIG. 1 is a perspective view of the reading light bar showing our new design;  
FIG. 2 is a left end elevational thereof, the right end elevational view being a mirror image of the view shown in this Figure;  
FIG. 3 is a front elevational view thereof;  
FIG. 4 is a rear elevational view thereof;  
FIG. 5 is a top plan view thereof; and,  
FIG. 6 is a bottom plan view thereof.

[56] **References Cited**  
**U.S. PATENT DOCUMENTS**  
D. 326,282 5/1992 Spoljaric ..... D26/31  
D. 326,826 6/1992 Trimble, Jr. .... D26/31  
D. 331,890 12/1992 Robinson ..... D26/31

**1 Claim, 3 Drawing Sheets**



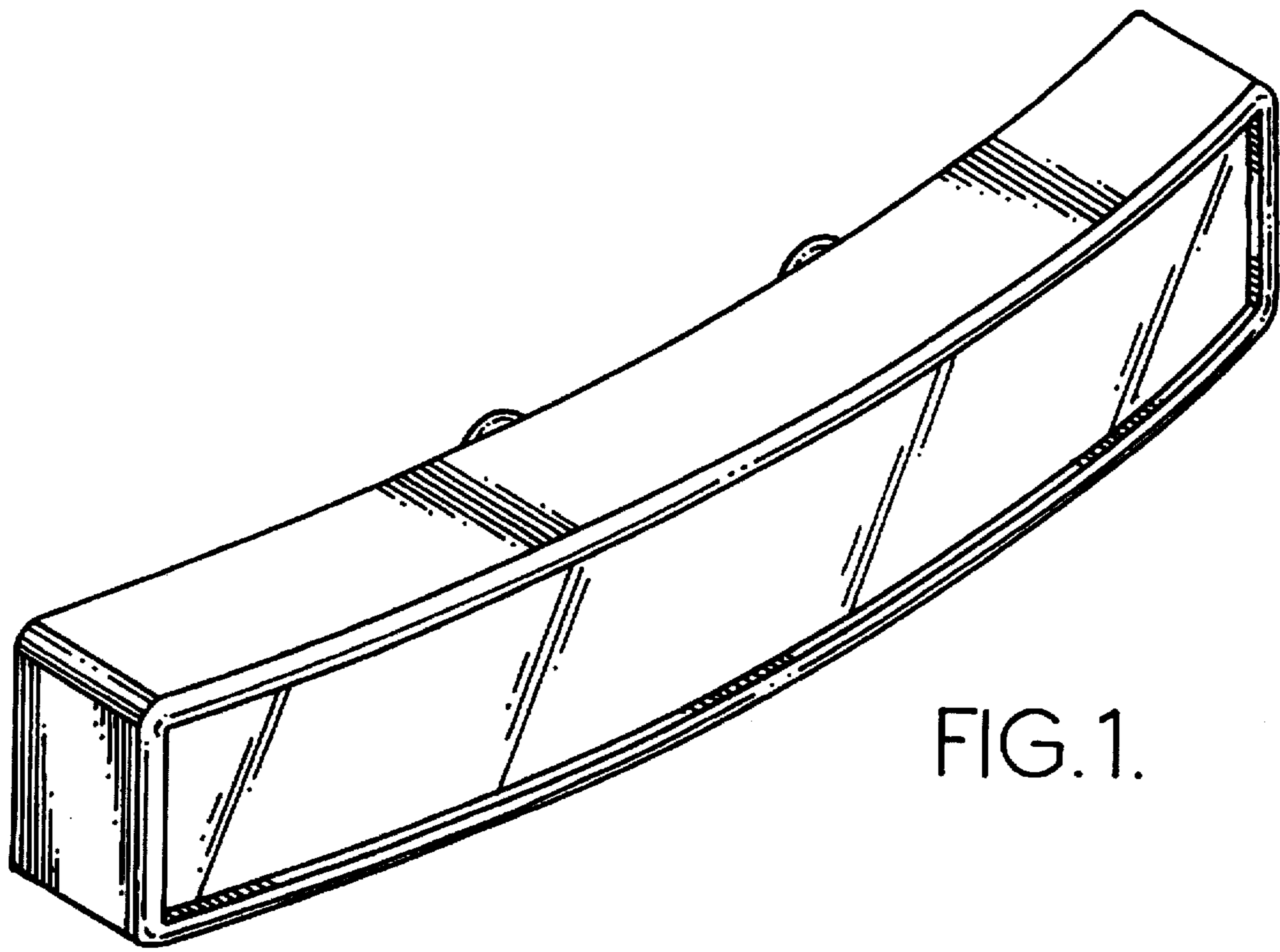


FIG. 1.

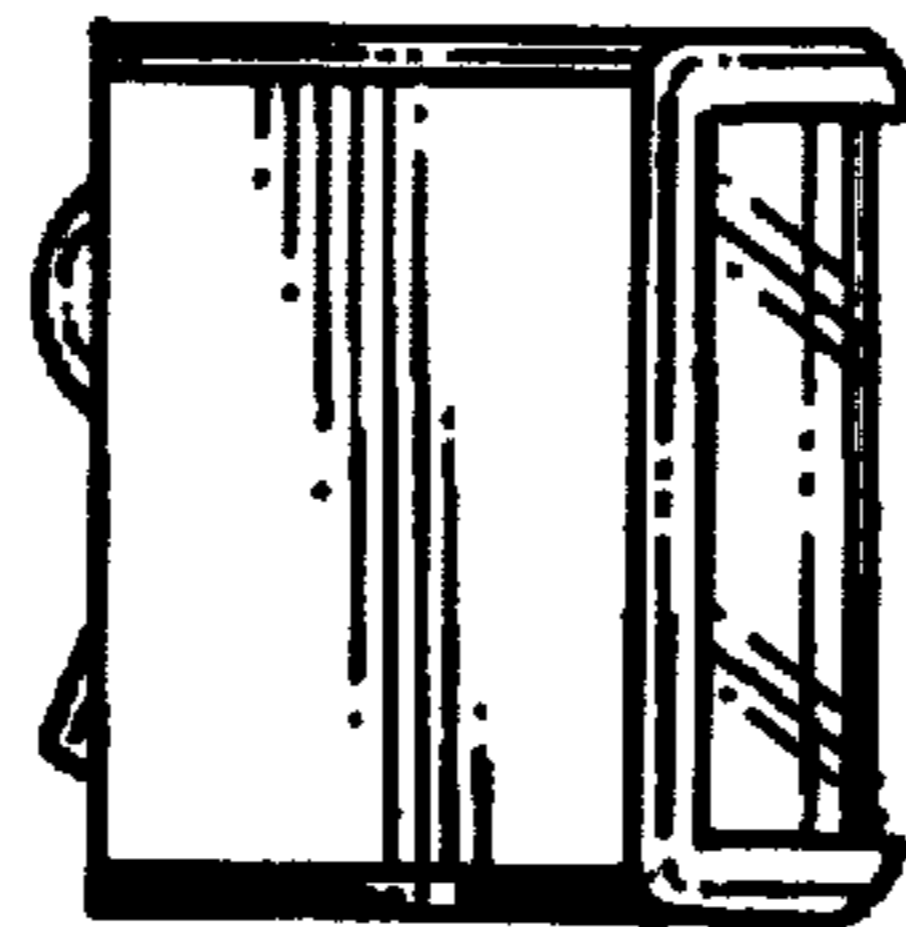


FIG. 2.

FIG. 3.

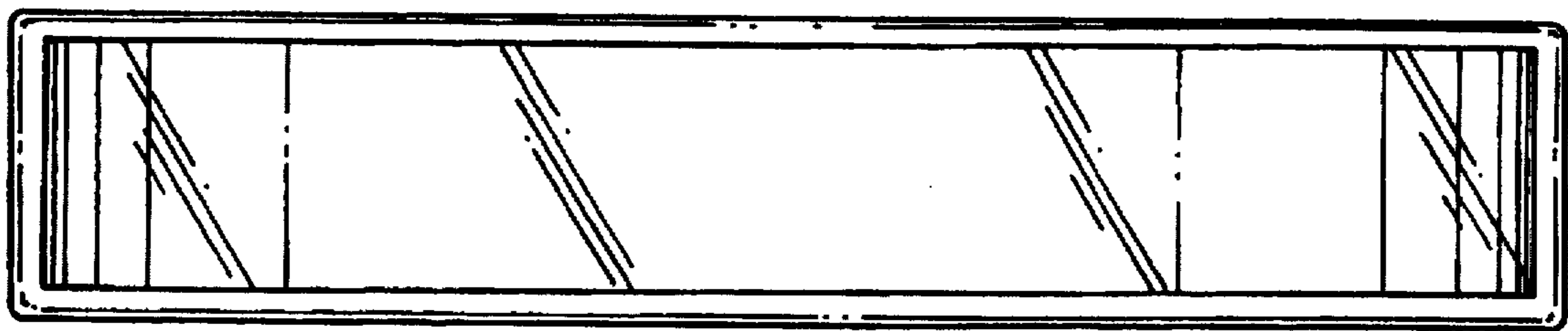
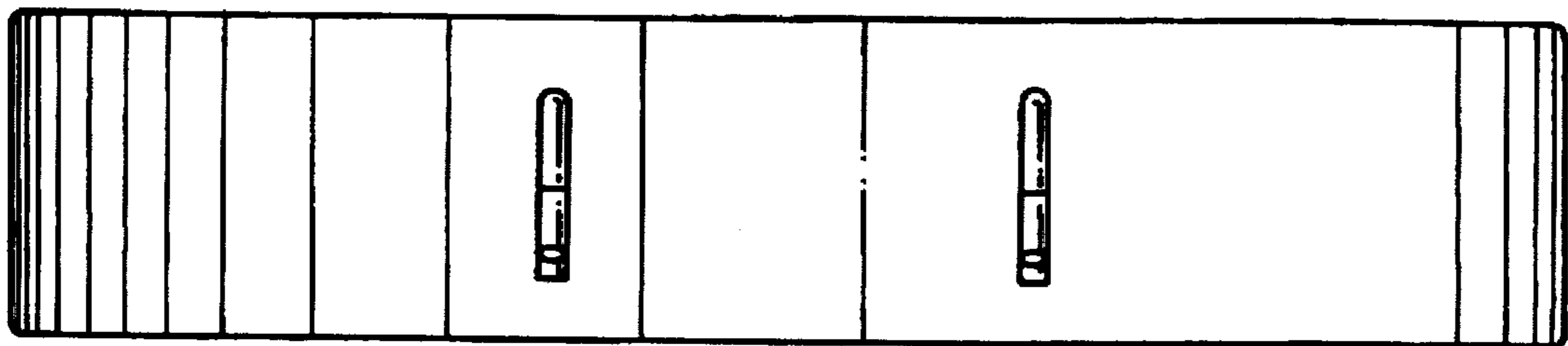


FIG. 4.



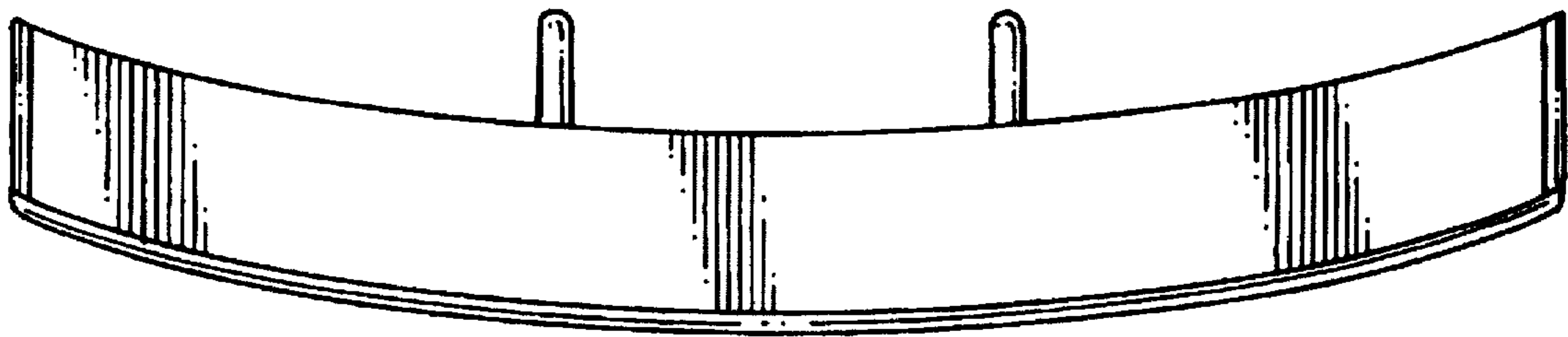


FIG. 5.

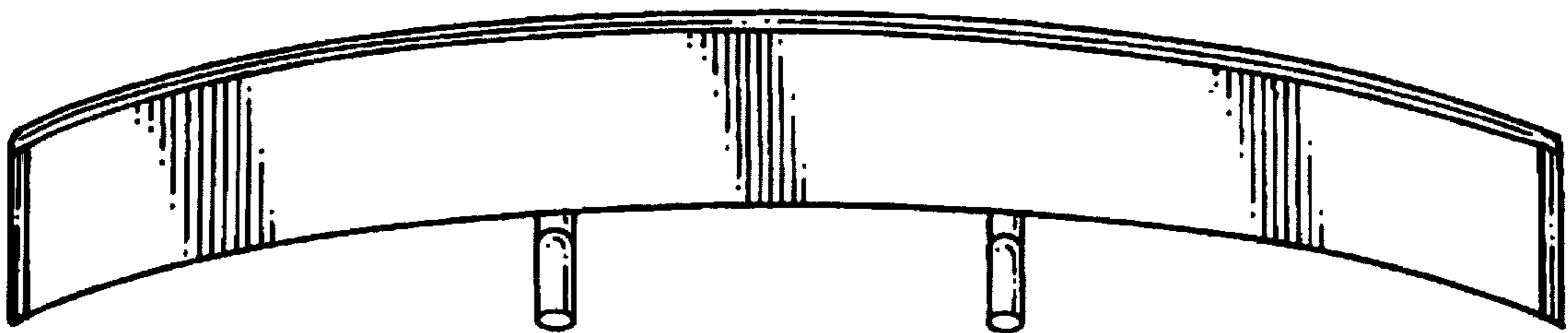


FIG. 6.