



US00D386790S

**United States Patent** [19]  
**Mori**

[11] **Patent Number: Des. 386,790**  
[45] **Date of Patent: \*\*Nov. 25, 1997**

[54] **PUNCH**

[75] **Inventor: Chuzo Mori, Tokyo, Japan**

[73] **Assignee: Carl Jimuki Kabushiki Kaisha, Tokyo, Japan**

[\*\*] **Term: 14 Years**

[21] **Appl. No.: 62,221**

[22] **Filed: Nov. 12, 1996**

[51] **LOC (6) Cl. .... 19-02**

[52] **U.S. Cl. .... D19/72; D15/123; D15/128**

[58] **Field of Search .... D15/123, 128; D19/72; 83/167, 468, 520, 588, 618, 620, 633, 698, 699, 698.71, 698.91, 856, 859**

[56] **References Cited**

**U.S. PATENT DOCUMENTS**

D. 306,460	3/1990	Mori	.....	D19/72
4,466,322	8/1984	Mori	.....	83/468
4,713,995	12/1987	Davi	.....	83/167

**FOREIGN PATENT DOCUMENTS**

281516 7/1996 Japan .

*Primary Examiner*—Antoine Duval Davis  
*Attorney, Agent, or Firm*—Oliff & Berridge

[57] **CLAIM**

The ornamental design for punch, as shown and described.

**DESCRIPTION**

FIG. 1 is a perspective view of a punch showing my design; FIG. 2 is an elevational front view of the punch of FIG. 1; FIG. 3 is a top plan view of the punch of FIG. 1; FIG. 4 is a right-side view of the punch of FIG. 1; FIG. 5 is a left-side view of the punch of FIG. 1; FIG. 6 is a rear view of the punch of FIG. 1; FIG. 7 is a bottom view of the punch of FIG. 1; and, FIG. 8 is a perspective view showing a state that a lever of the punch is raised up.

**1 Claim, 8 Drawing Sheets**

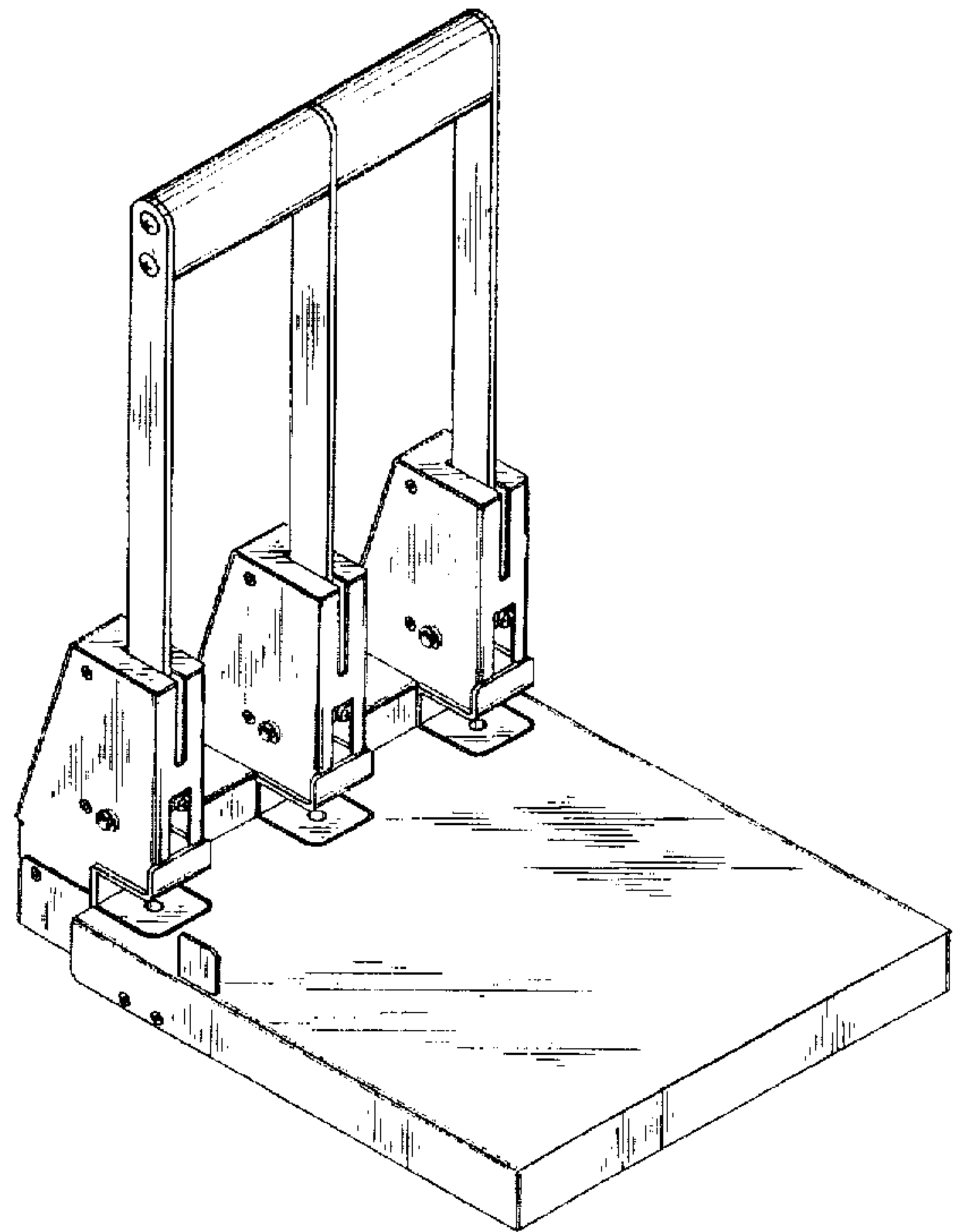
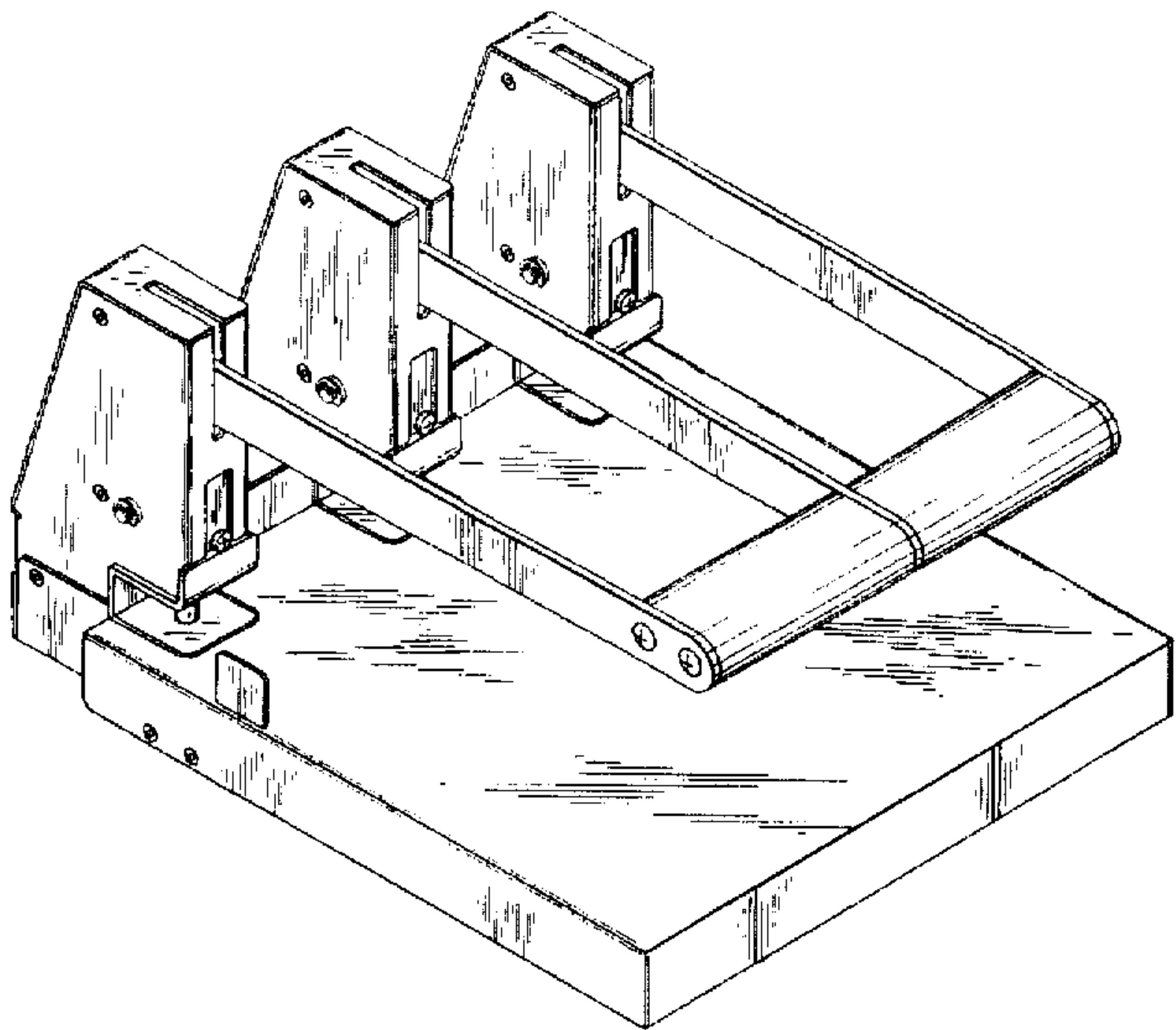


FIG. 1

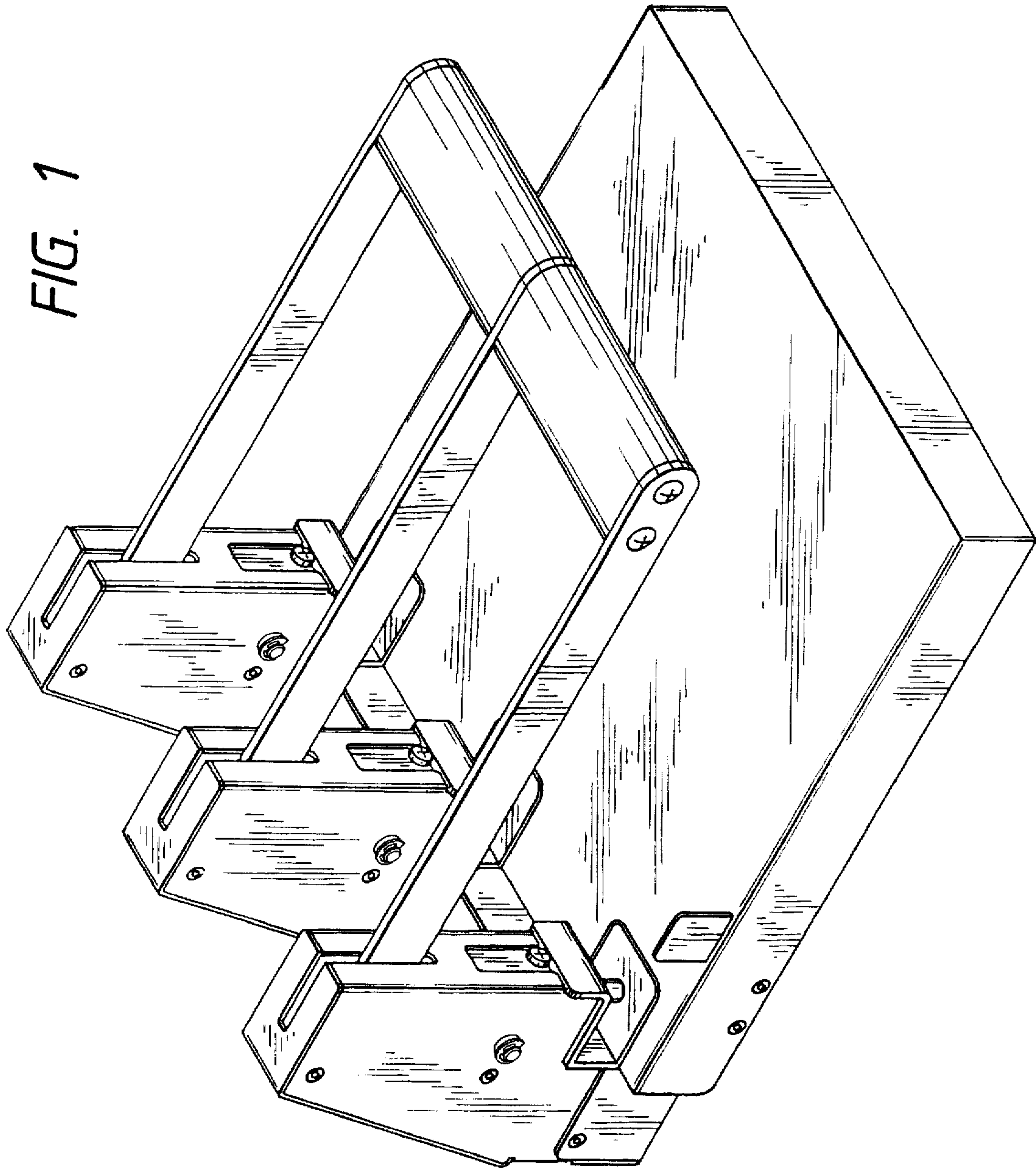
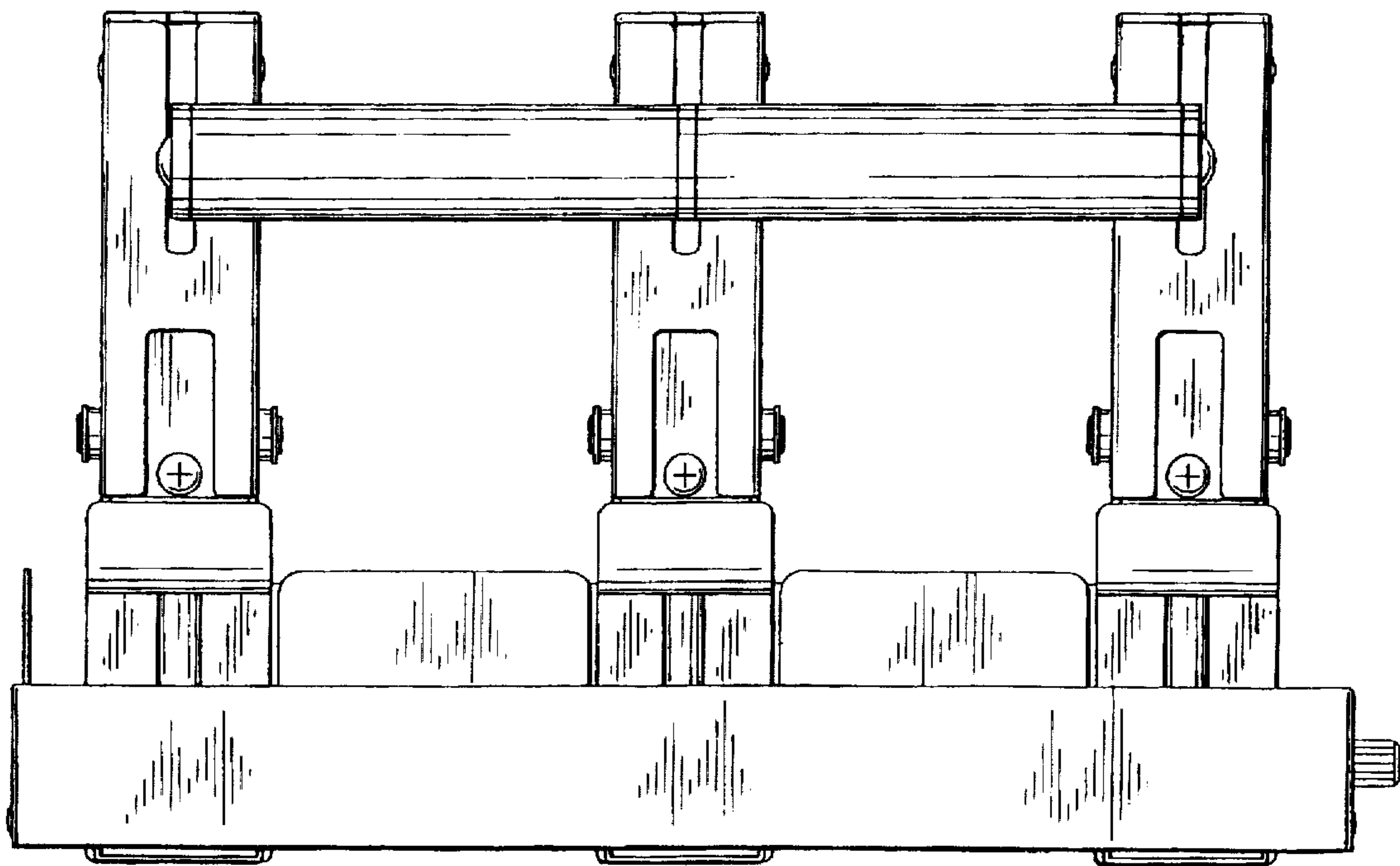
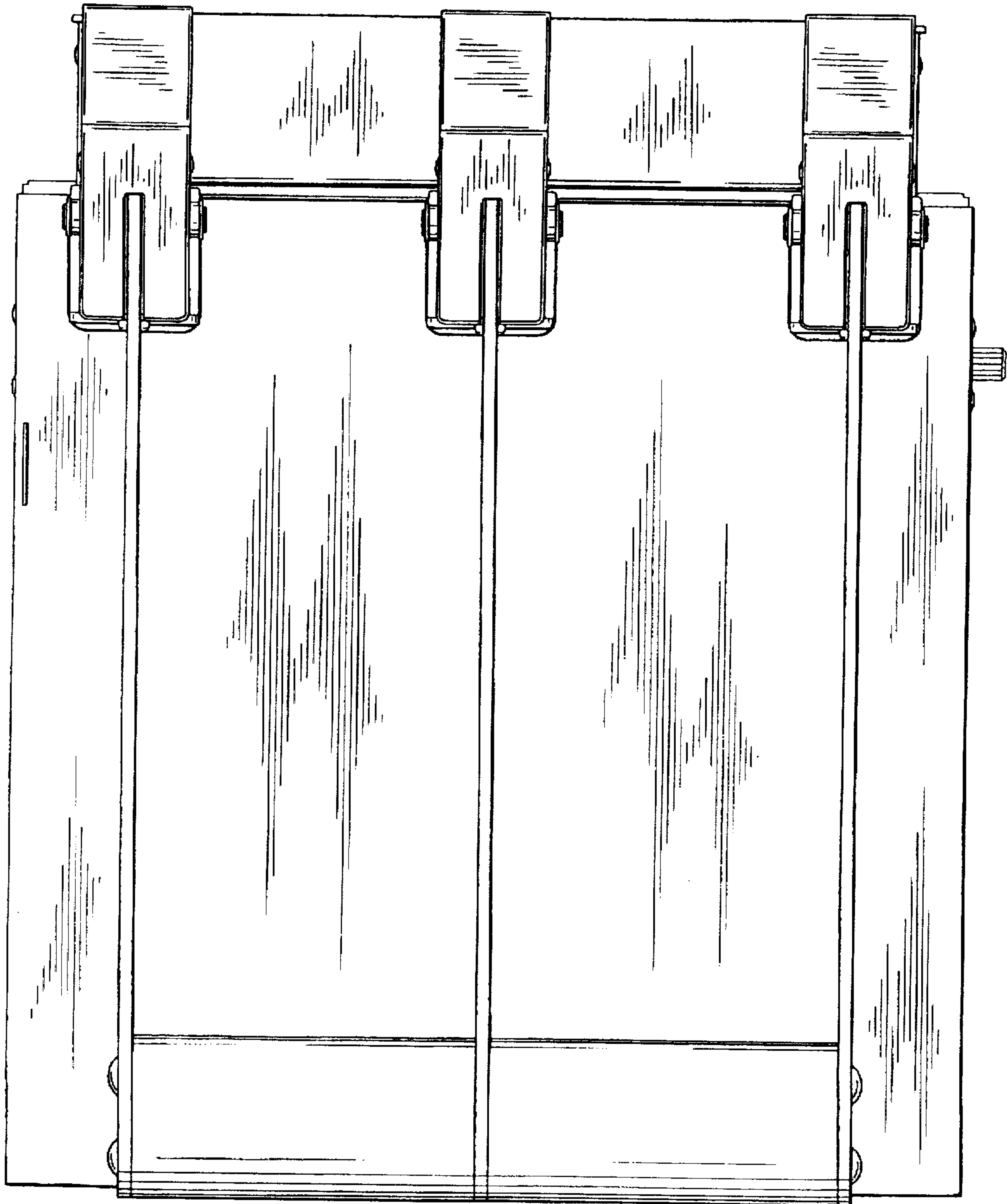


FIG. 2



*FIG. 3*



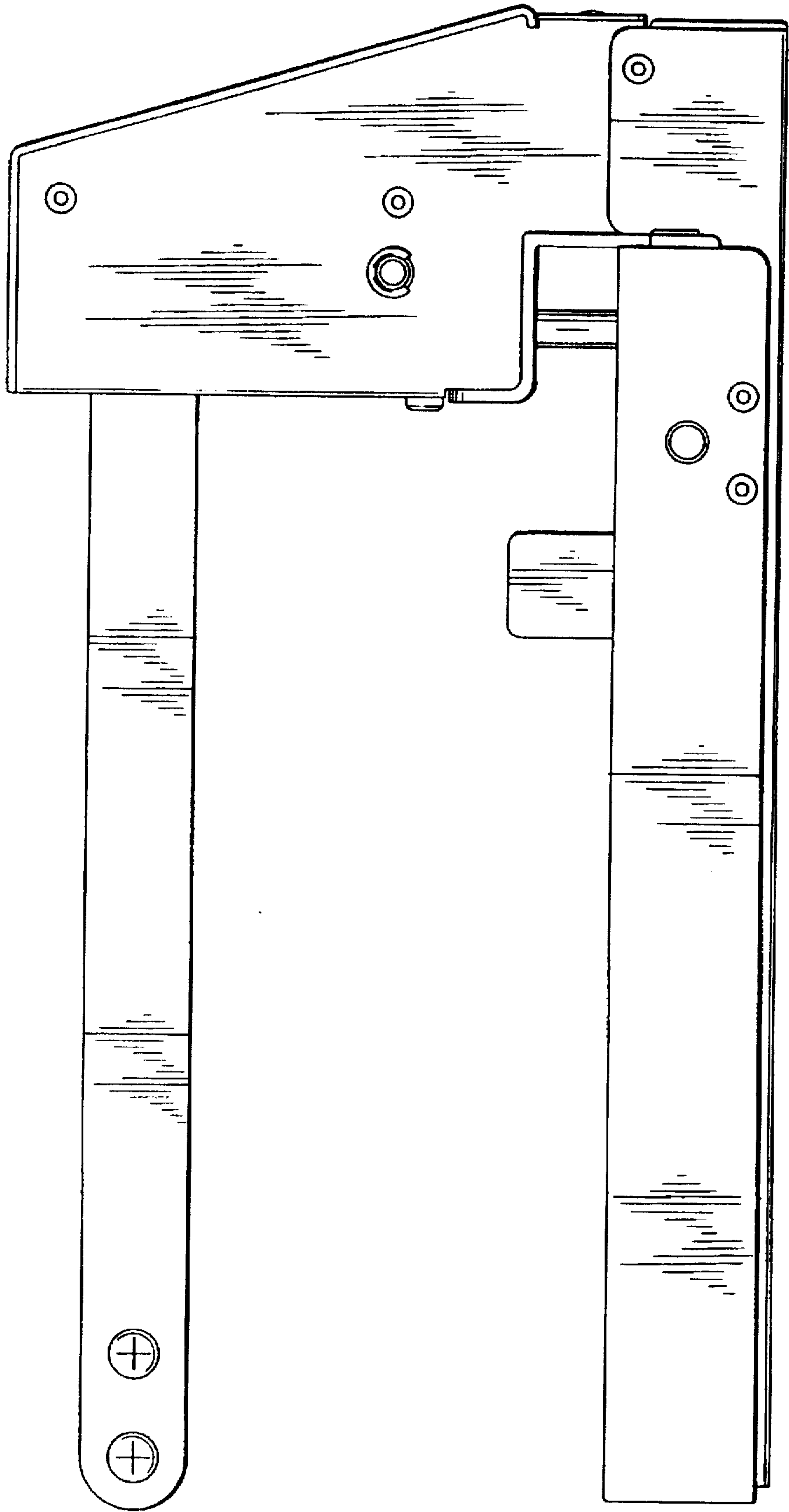


FIG. 4



FIG. 5

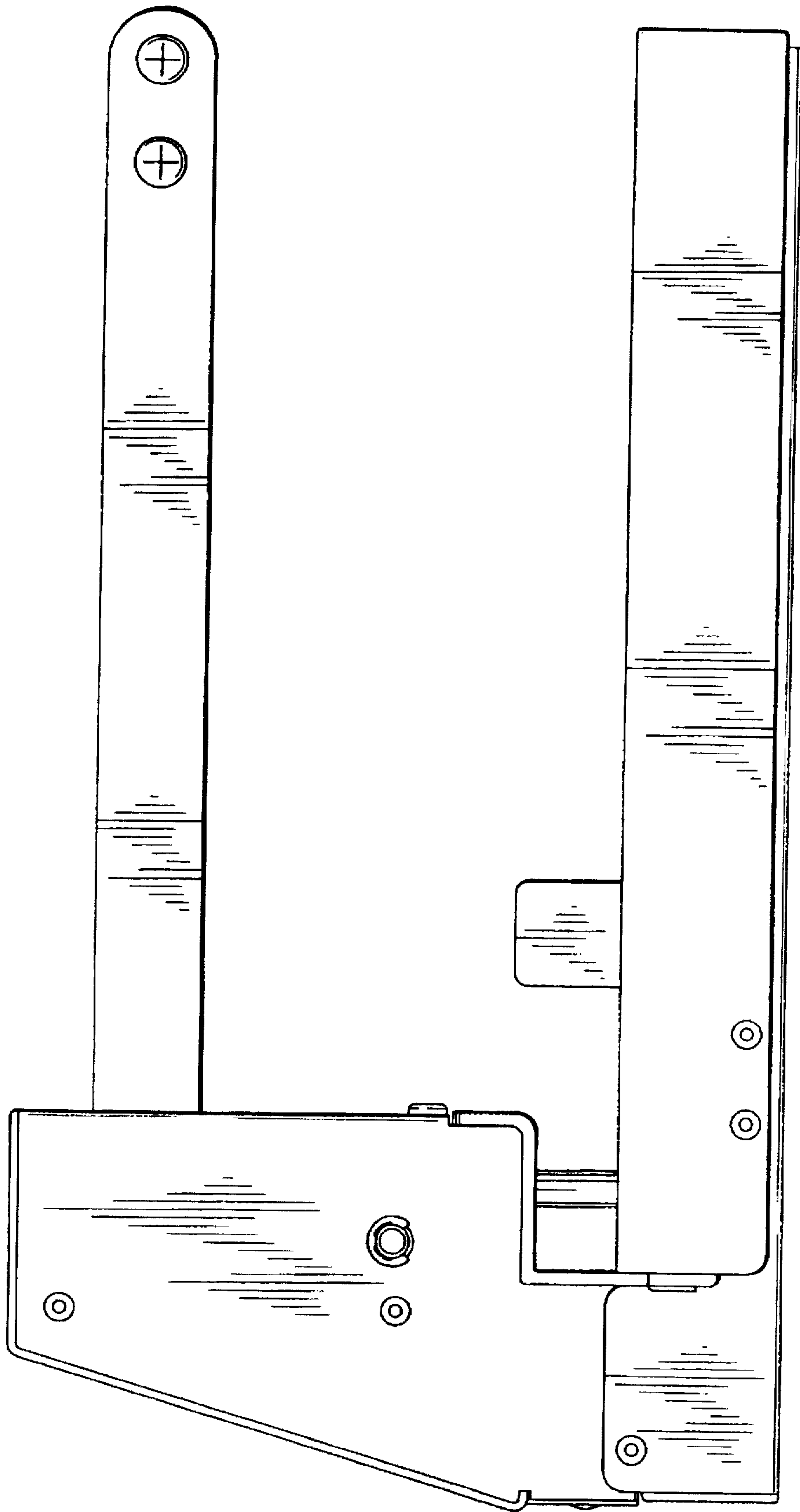


FIG. 6

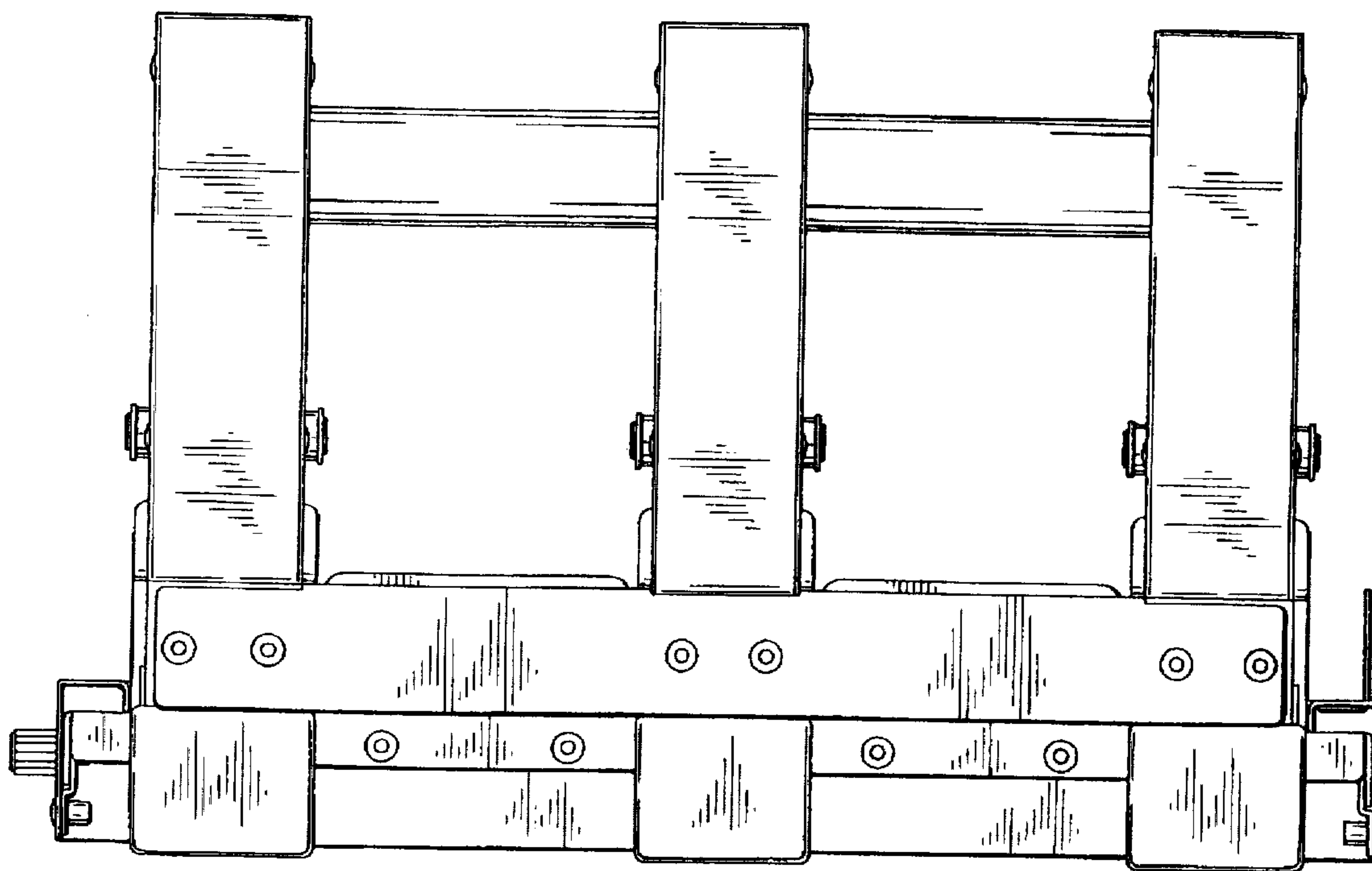


FIG. 7

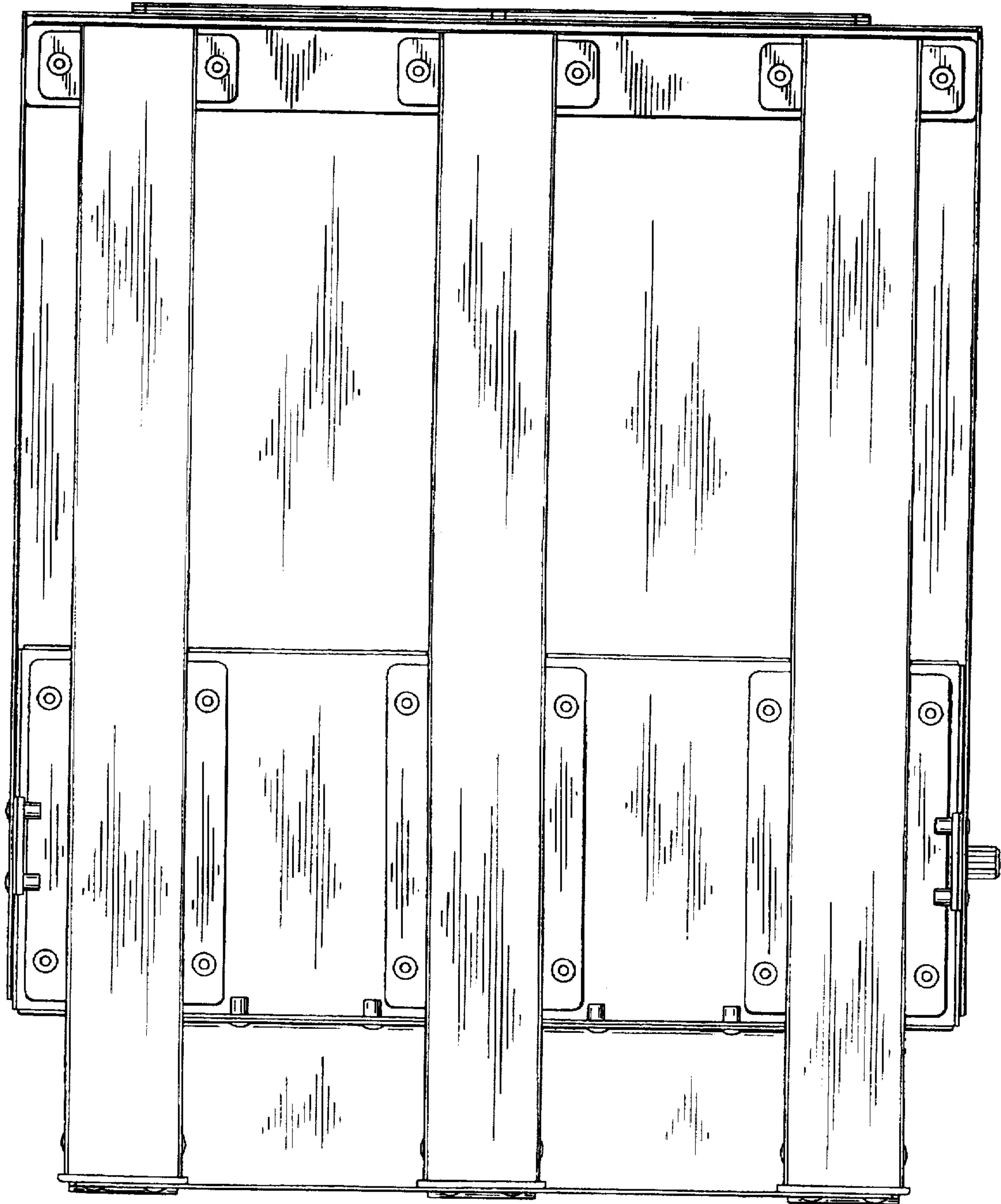
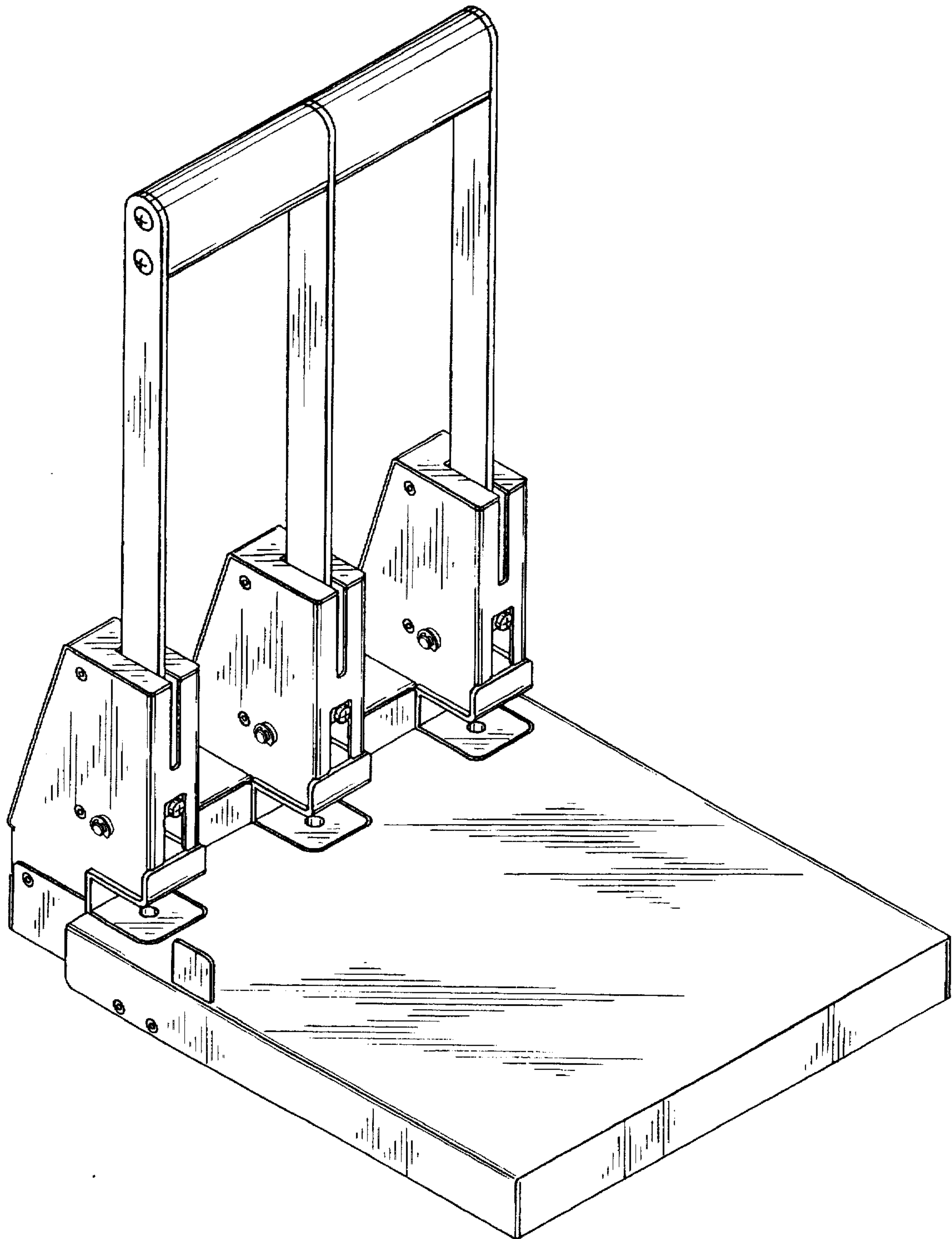




FIG. 8



UNITED STATES PATENT AND TRADEMARK OFFICE  
**CERTIFICATE OF CORRECTION**

PATENT NO. : Des. 386,790  
DATED : November 25, 1997  
INVENTOR(S) : Chuzo MORI

It is certified that error appears in the above-identified patent and that said Letters Patent is hereby corrected as shown below:

On the title page, item [56] ; in the list of references cited, add --Taiwan 281,517, 7/1996--.

Signed and Sealed this  
Nineteenth Day of May, 1998



BRUCE LEHMAN

*Commissioner of Patents and Trademarks*

*Attest:*

*Attesting Officer*