



US00D386787S

United States Patent [19]
Quinlan et al.

[11] **Patent Number: Des. 386,787**
[45] **Date of Patent: **Nov. 25, 1997**

[54] **WALL MARKING DEVICE**

[76] Inventors: **James J. Quinlan**, Rte. #2, Box 3434,
Miles City, Mont. 59301; **John A. Yonkaitis**, 1905 S. Idaho, Butte, Mont.
59701

[**] Term: **14 Years**

[21] Appl. No.: **55,494**

[22] Filed: **Jun. 6, 1996**

[51] LOC (6) Cl. **19-06**

[52] U.S. Cl. **D19/36; D19/41; D19/35**

[58] Field of Search **D19/35, 36, 38, D19/41-51, 53-58, 65, 81-85; D8/98; 33/41.1, 42.2, 44; 401/29-35, 52, 195**

[56] **References Cited**

U.S. PATENT DOCUMENTS

D. 368,737	4/1996	Dunn et al.	D19/36
724,445	4/1903	Decker	33/41.4
883,009	3/1908	Gee	401/35 X
976,687	11/1910	Pickwick, Jr.	401/35 X
1,093,606	4/1914	Cooley	33/41.4

2,388,361	11/1945	Lynex	33/41.1
2,827,703	3/1958	Patterson et al.	33/44
3,762,054	10/1973	Ballard	33/41.4

Primary Examiner—Martie Thompson
Attorney, Agent, or Firm—Richard C. Conover

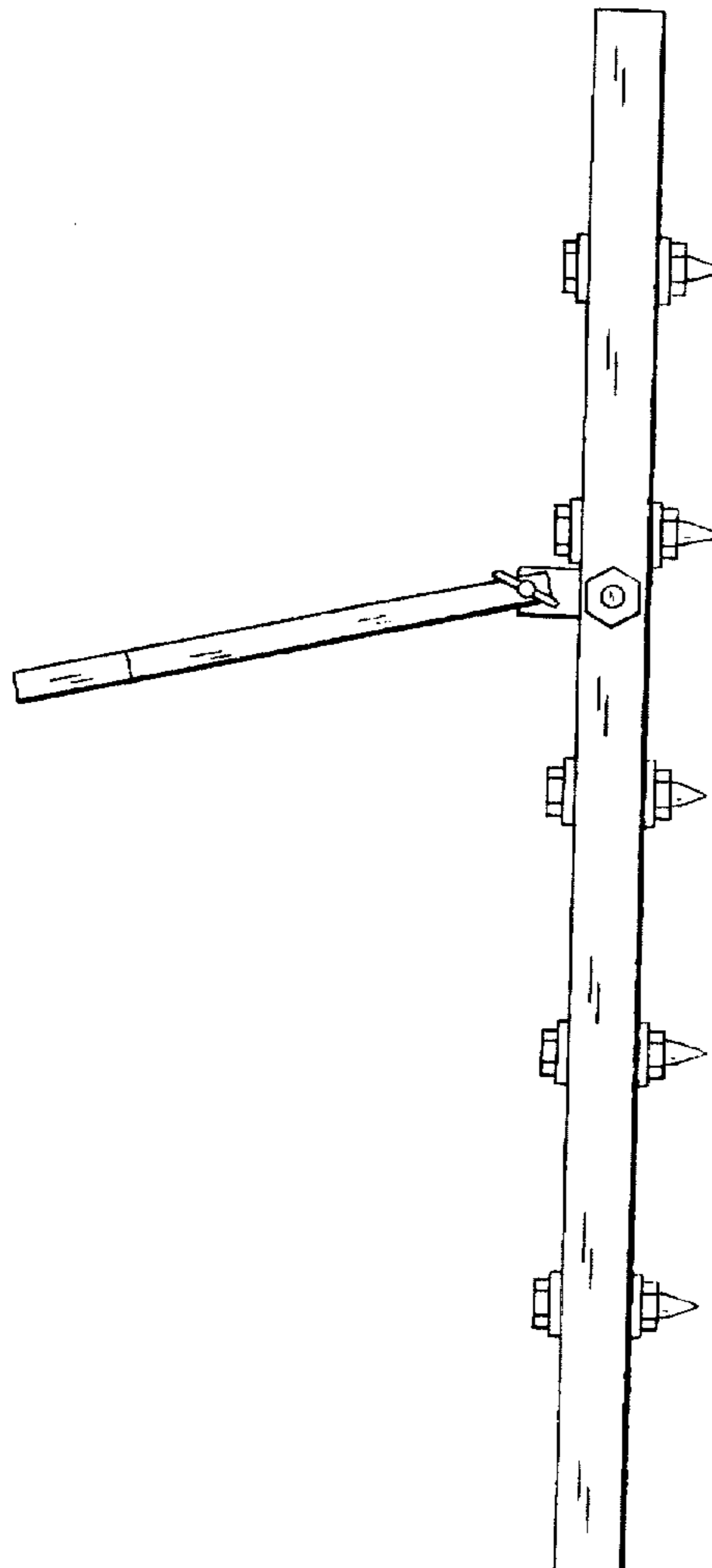
[57] **CLAIM**

The ornamental design for a wall marking device, as shown and described.

DESCRIPTION

FIG. 1 is an elevational view of the wall marking device of the present design;
FIG. 2 is a right side view of the wall marking device shown in FIG. 1;
FIG. 3 is a left side view of the wall marking device shown in FIG. 1;
FIG. 4 is a rear side view of the wall marking device shown in FIG. 1;
FIG. 5 is a plan view of the wall marking device shown in FIG. 2; and,
FIG. 6 is a bottom view of the wall marking device shown in FIG. 2.

1 Claim, 3 Drawing Sheets



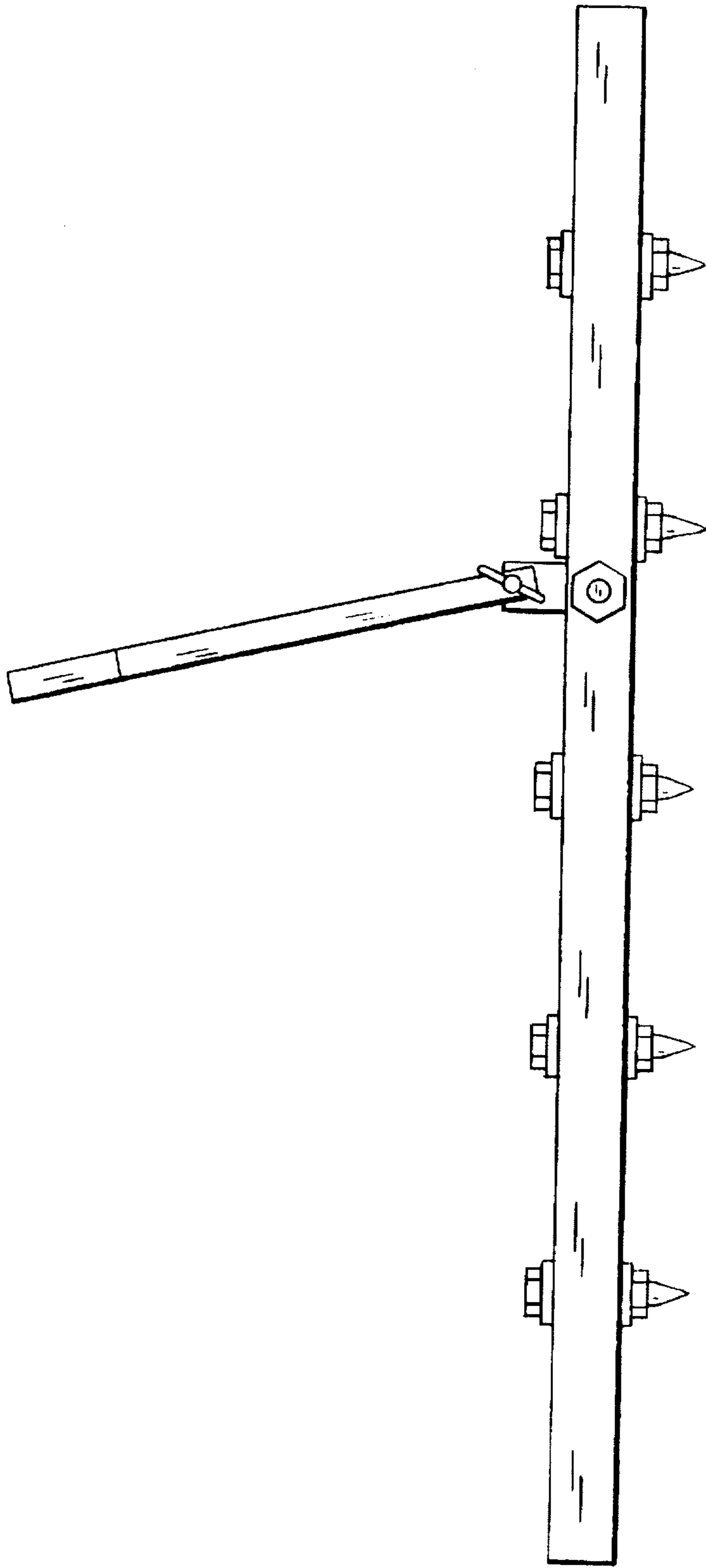


FIG. 1

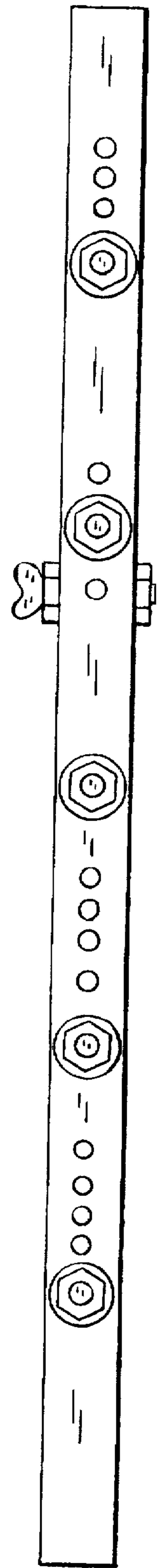


FIG. 2

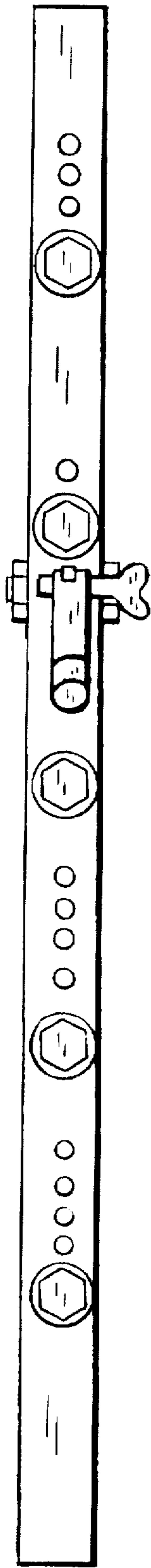


FIG. 3

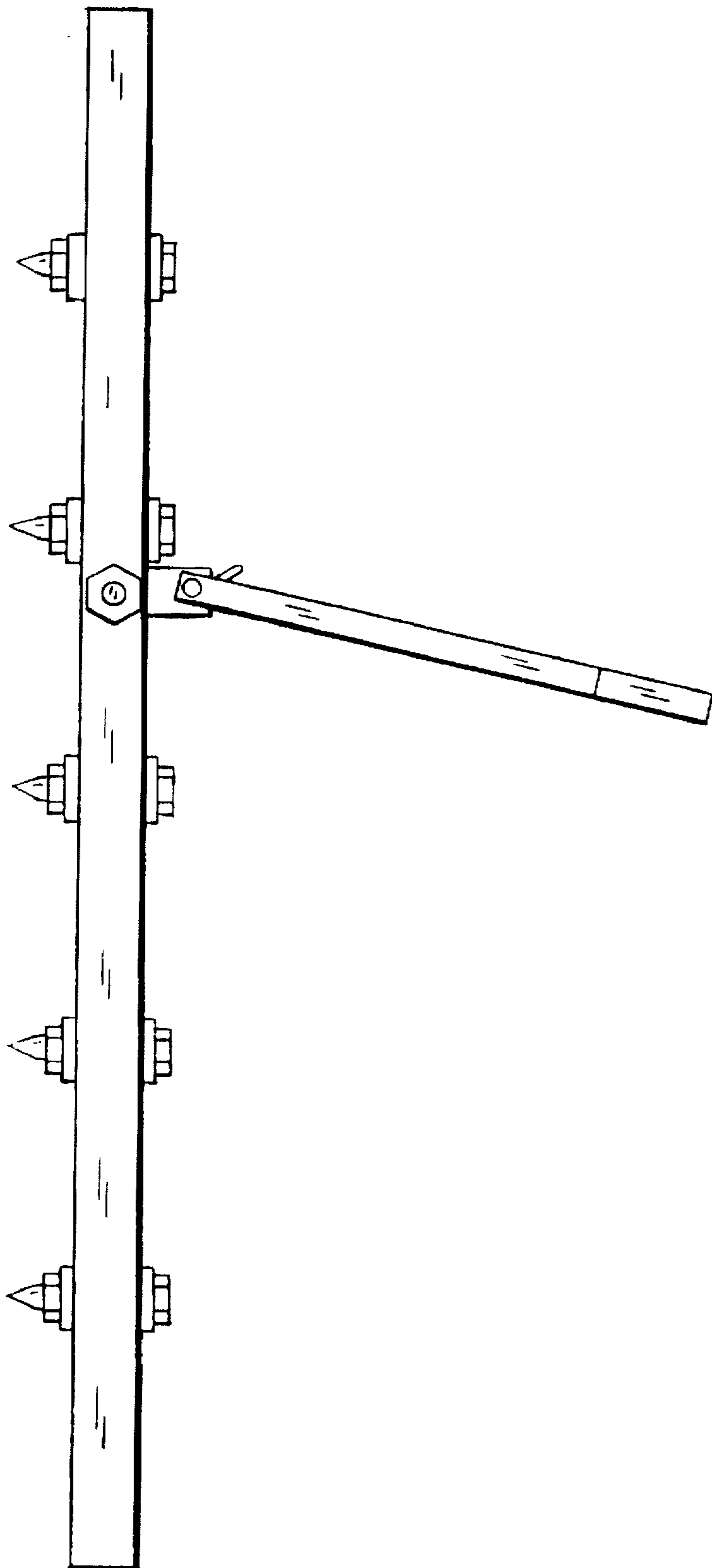


FIG. 4

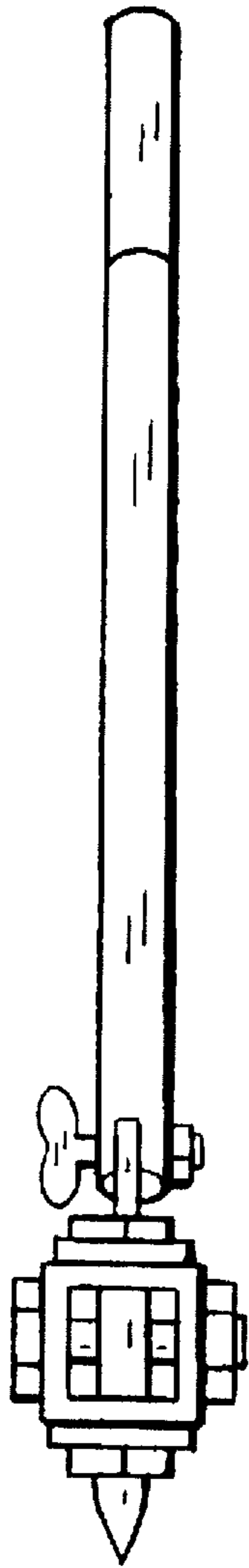


FIG. 5

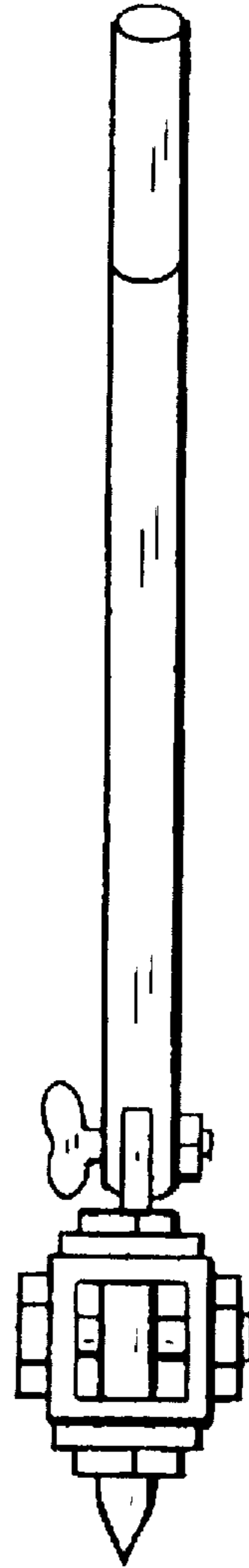


FIG. 6