



US00D386785S

United States Patent [19]
Derraugh

[11] **Patent Number: Des. 386,785**
[45] **Date of Patent: **Nov. 25, 1997**

[54] **BOARD BOOK WITH FLEXIBLE EXTREMITIES**

Attorney, Agent, or Firm—Ware, Fressola, Van Der Sluys & Adolphson LLP

[75] Inventor: **William N. Derraugh**, Weston, Conn.

[57] **CLAIM**

[73] Assignee: **Printlink Publishers, Inc.**, Monroe, Conn.

The ornamental design of a board book with flexible extremities, as shown and described.

[**] Term: **14 Years**

DESCRIPTION

[21] Appl. No.: **59,757**

FIG. 1 is a front perspective view of a board book with flexible extremities showing my new design;

[22] Filed: **Sep. 16, 1996**

FIG. 2 is a top view of the invention;

[51] LOC (6) Cl. **19-04**

FIG. 3 is a bottom view of the invention;

[52] U.S. Cl. **D19/30**

FIG. 4 is a front view of the invention;

[58] **Field of Search** D19/26, 27, 28,
D19/29, 30, 59, 60; 434/309; 281/15.1,
22, 29; D21/154

FIG. 5 is a rear view of the invention;

FIG. 6 is a first side view of the invention;

FIG. 7 is a second side of the invention;

[56] **References Cited**

U.S. PATENT DOCUMENTS

- D. 367,888 3/1996 Lai D19/59
- 4,434,567 3/1984 LeVeau 434/309 X
- 4,490,123 12/1984 Becker et al. 281/15.1 X

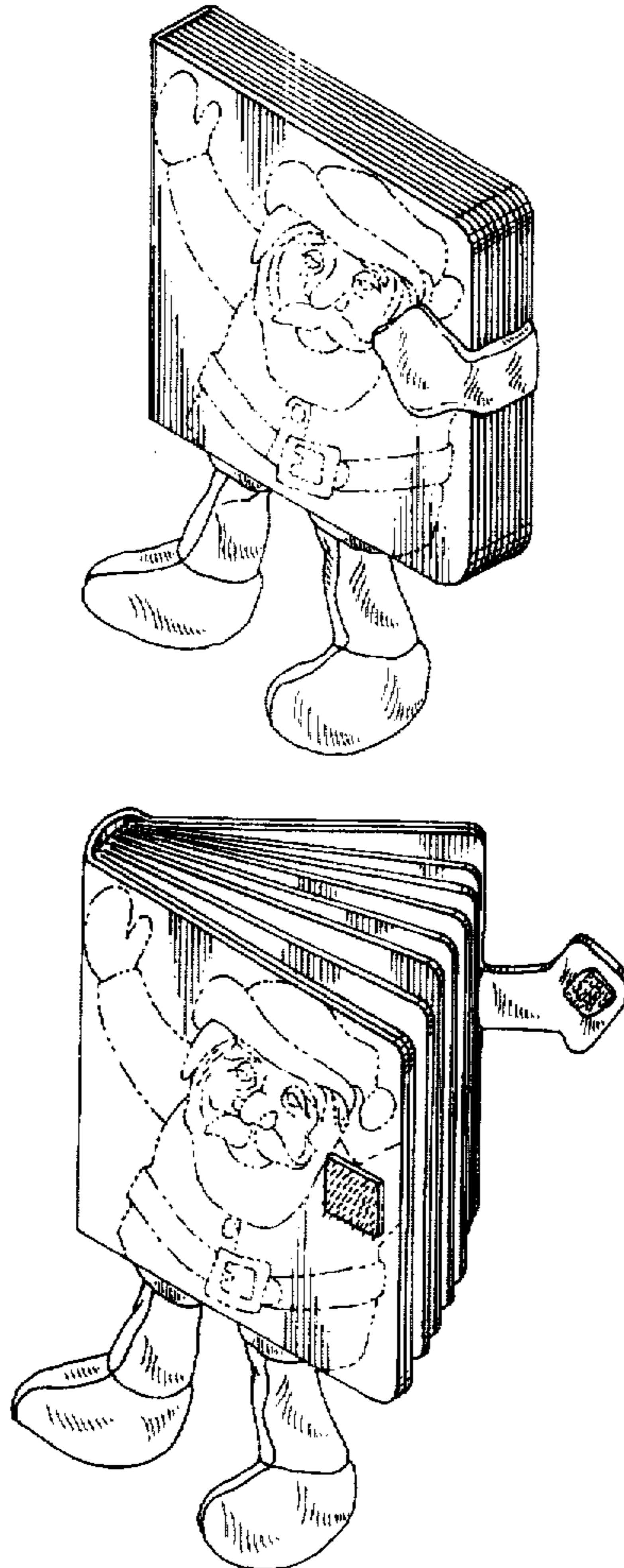
FIG. 8 is a second perspective view of the invention with the book in an open position; and,

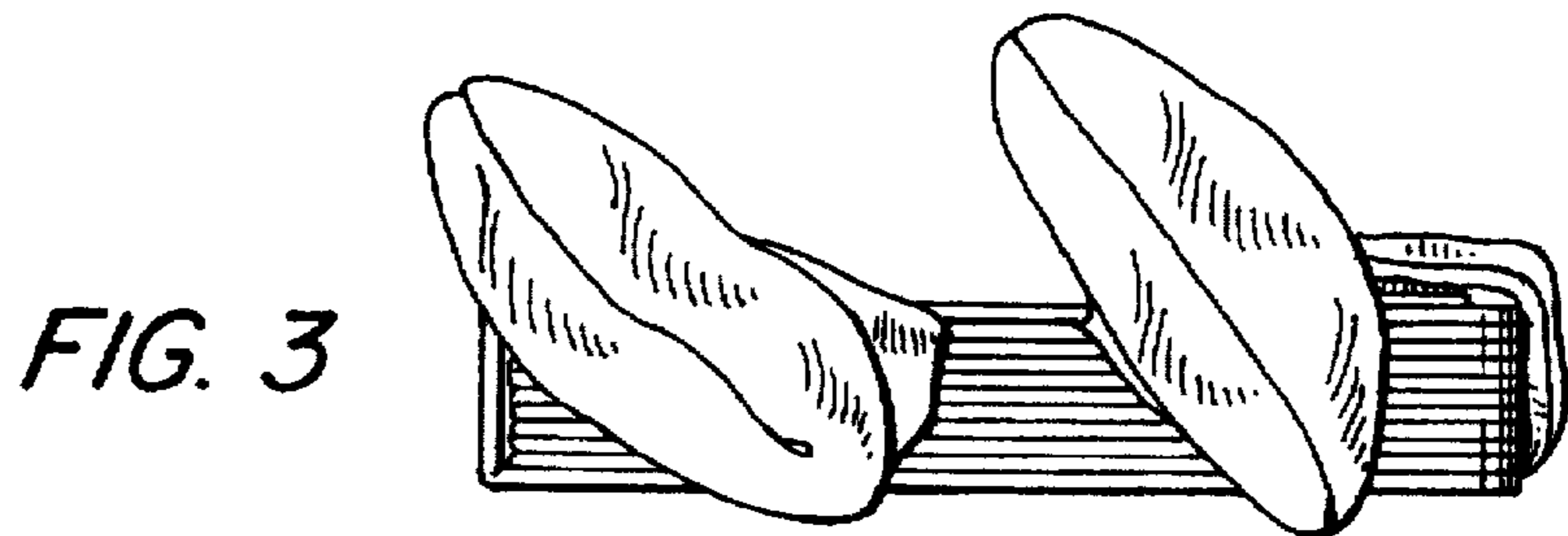
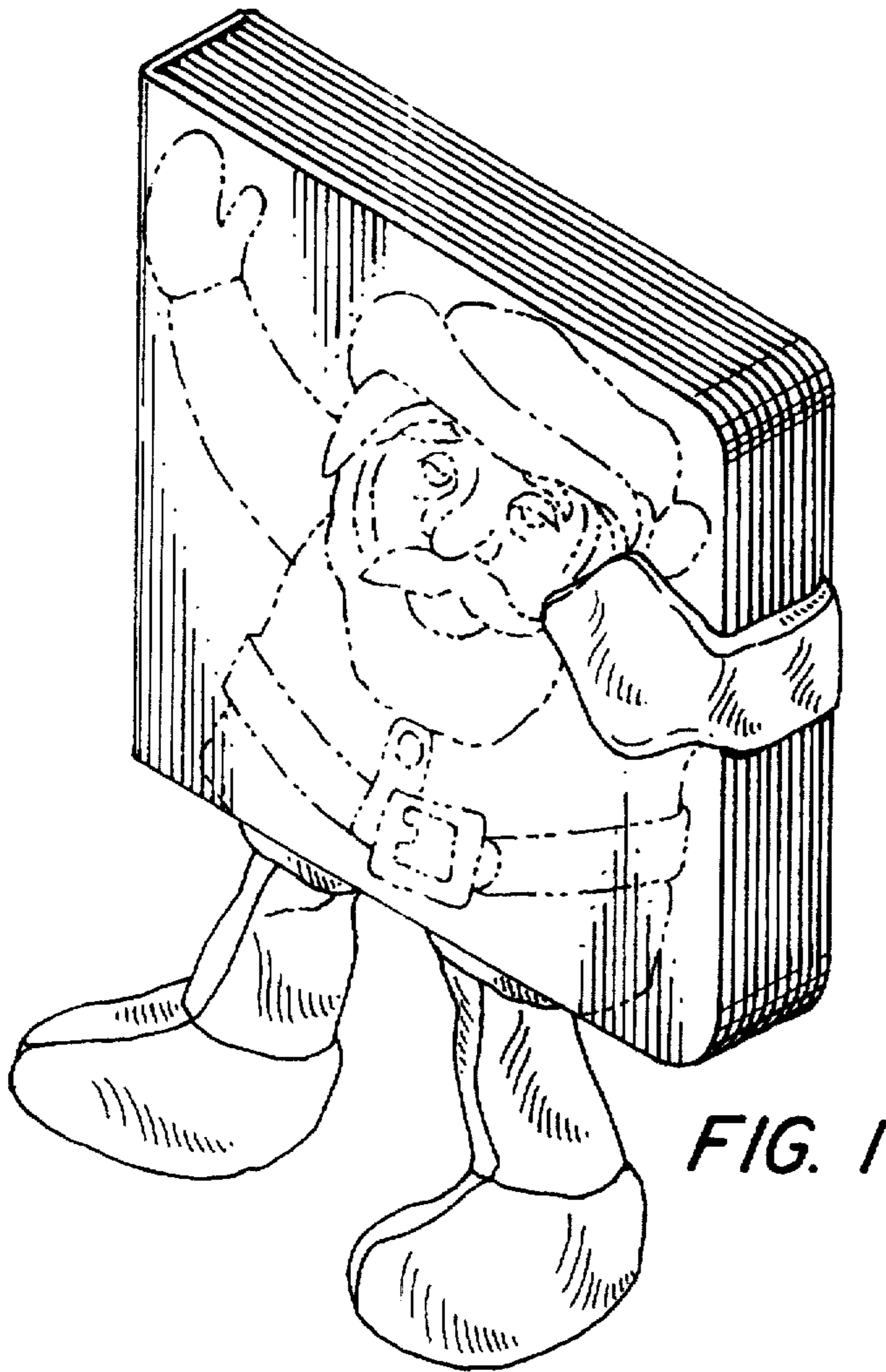
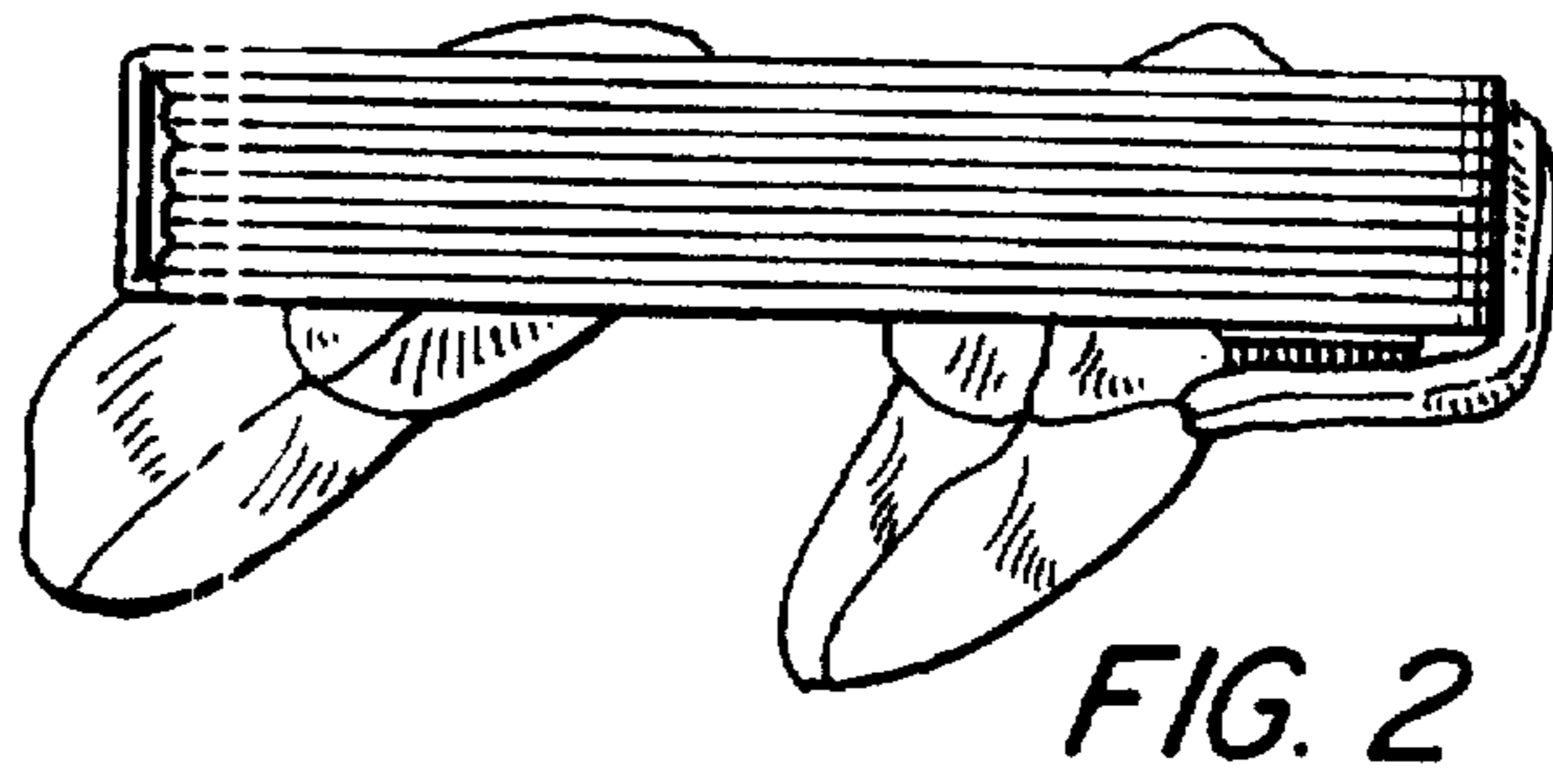
FIG. 9 is a third perspective view of the invention with the book in an open position.

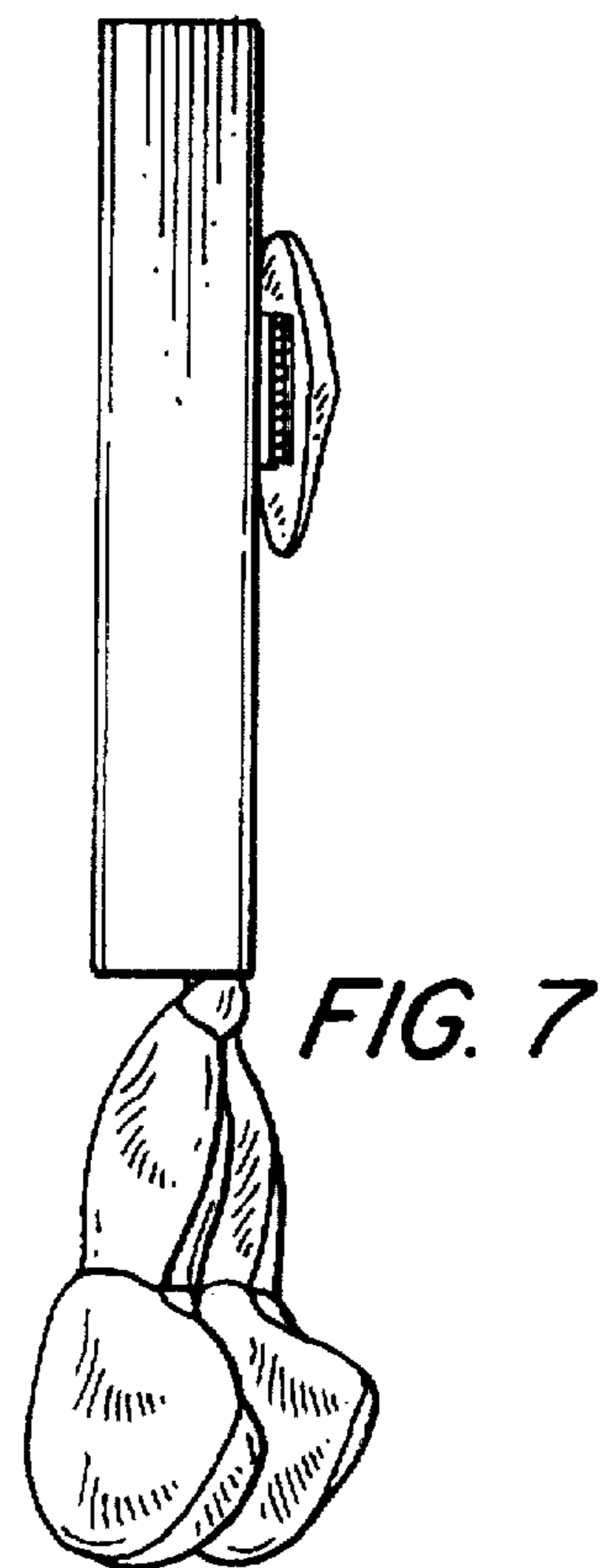
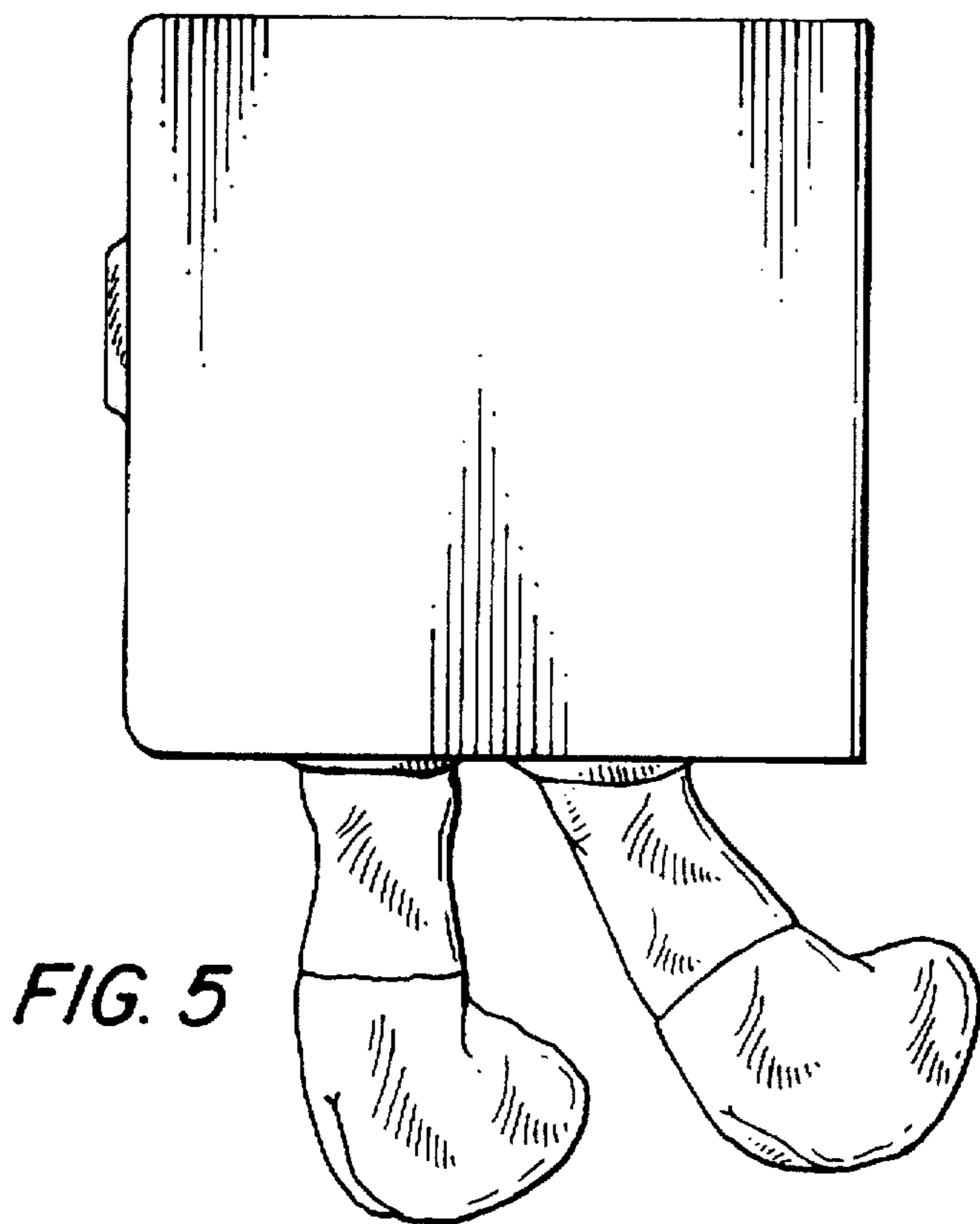
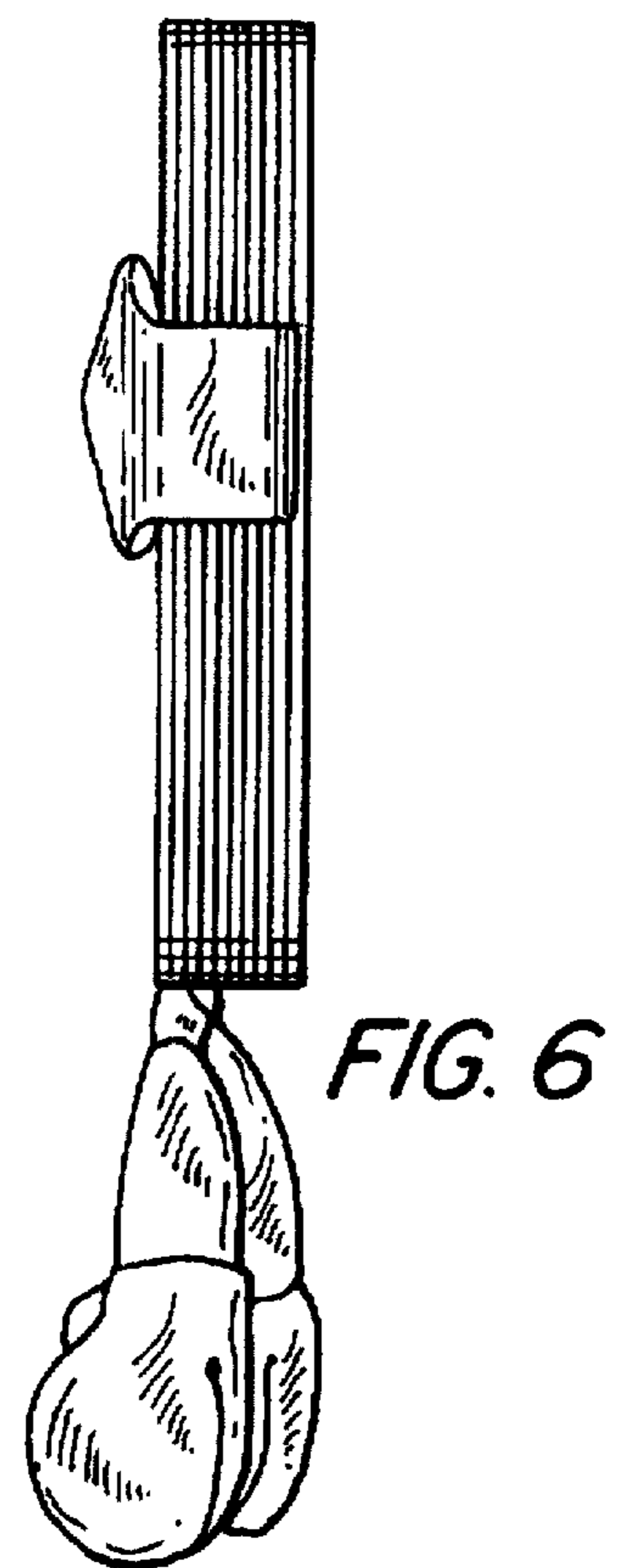
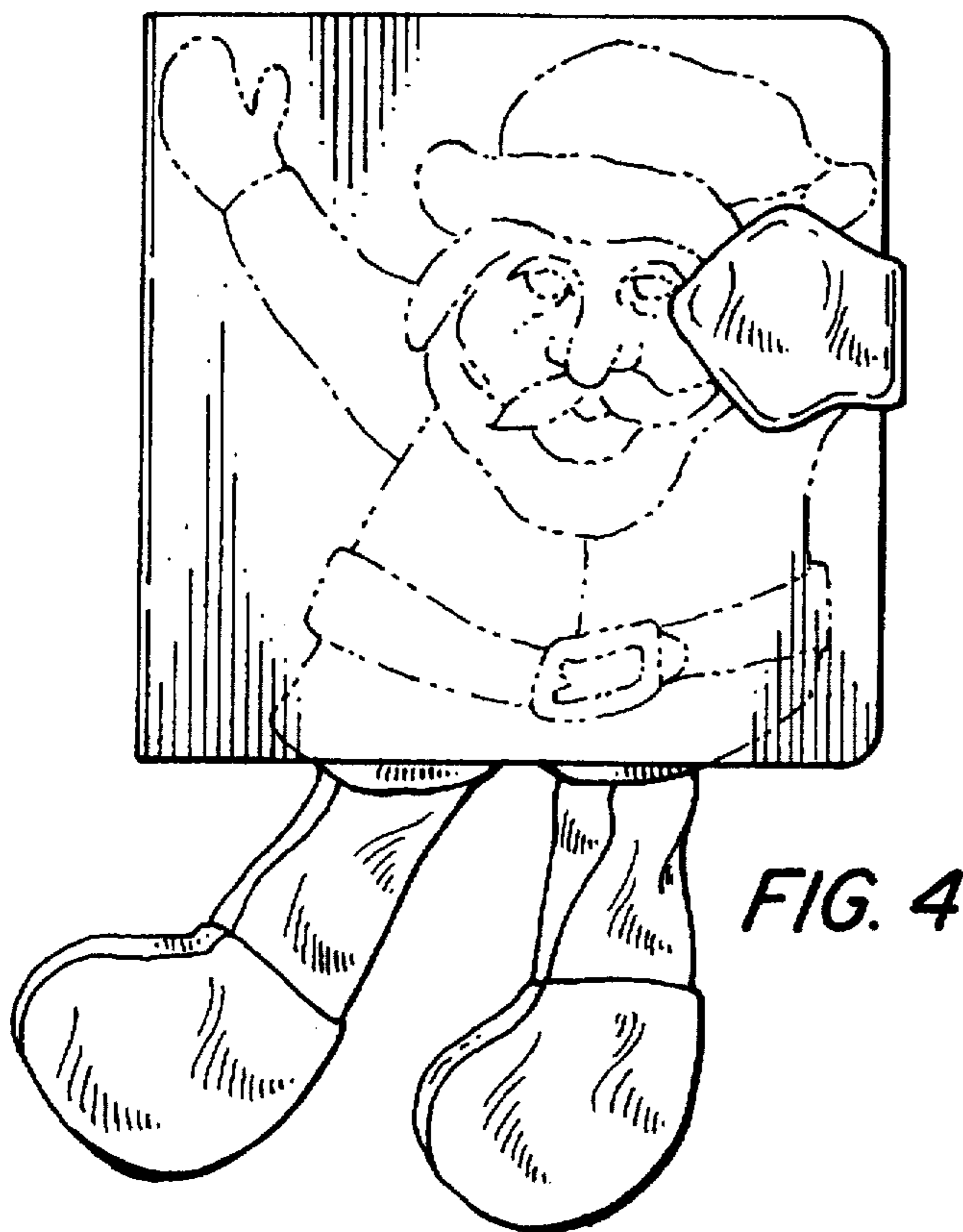
The broken lines shown are for illustrative purposes only and form no part of the claimed design.

Primary Examiner—Susan J. Lucas
Assistant Examiner—Pamela Burgess

1 Claim, 4 Drawing Sheets







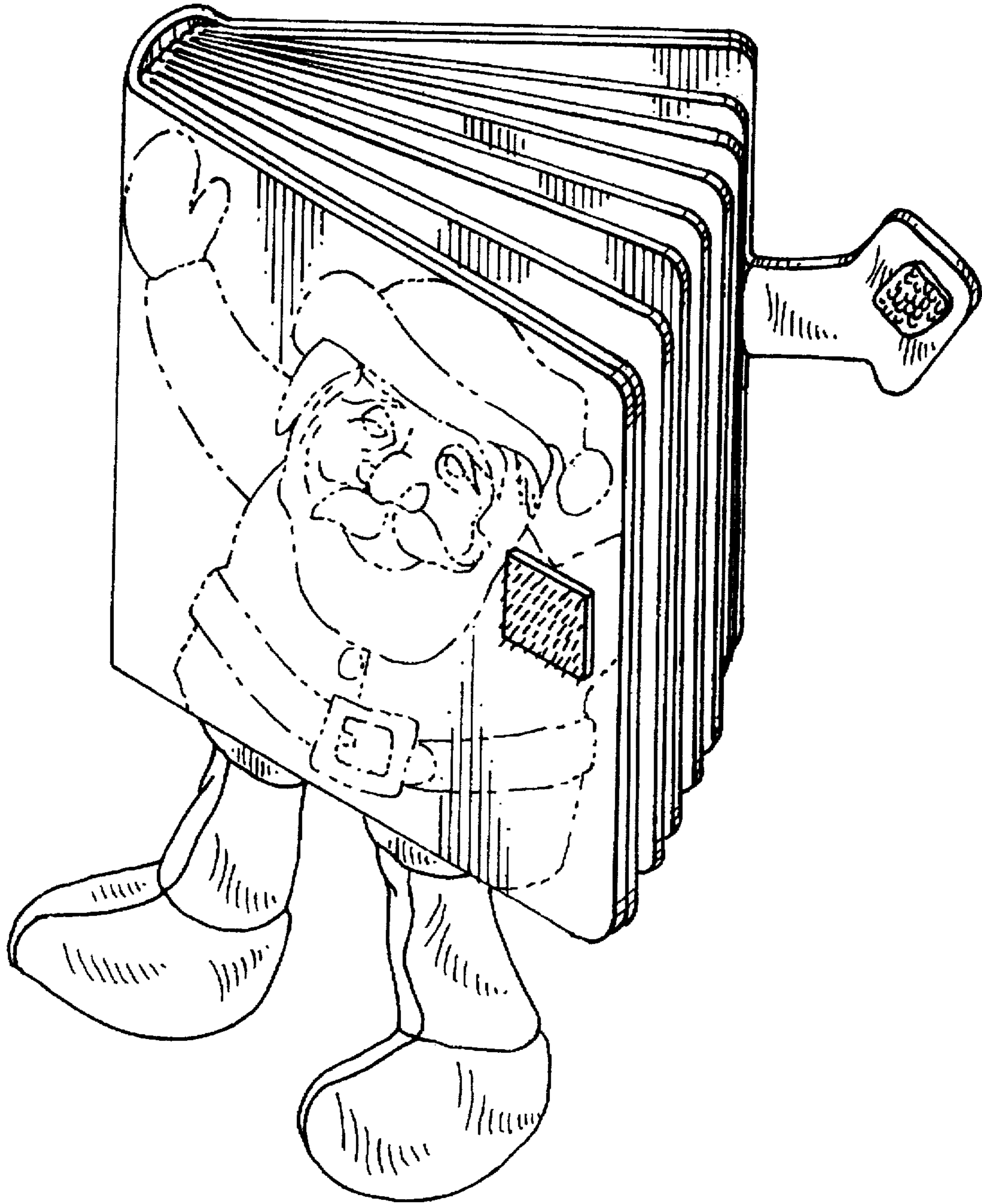


FIG. 8

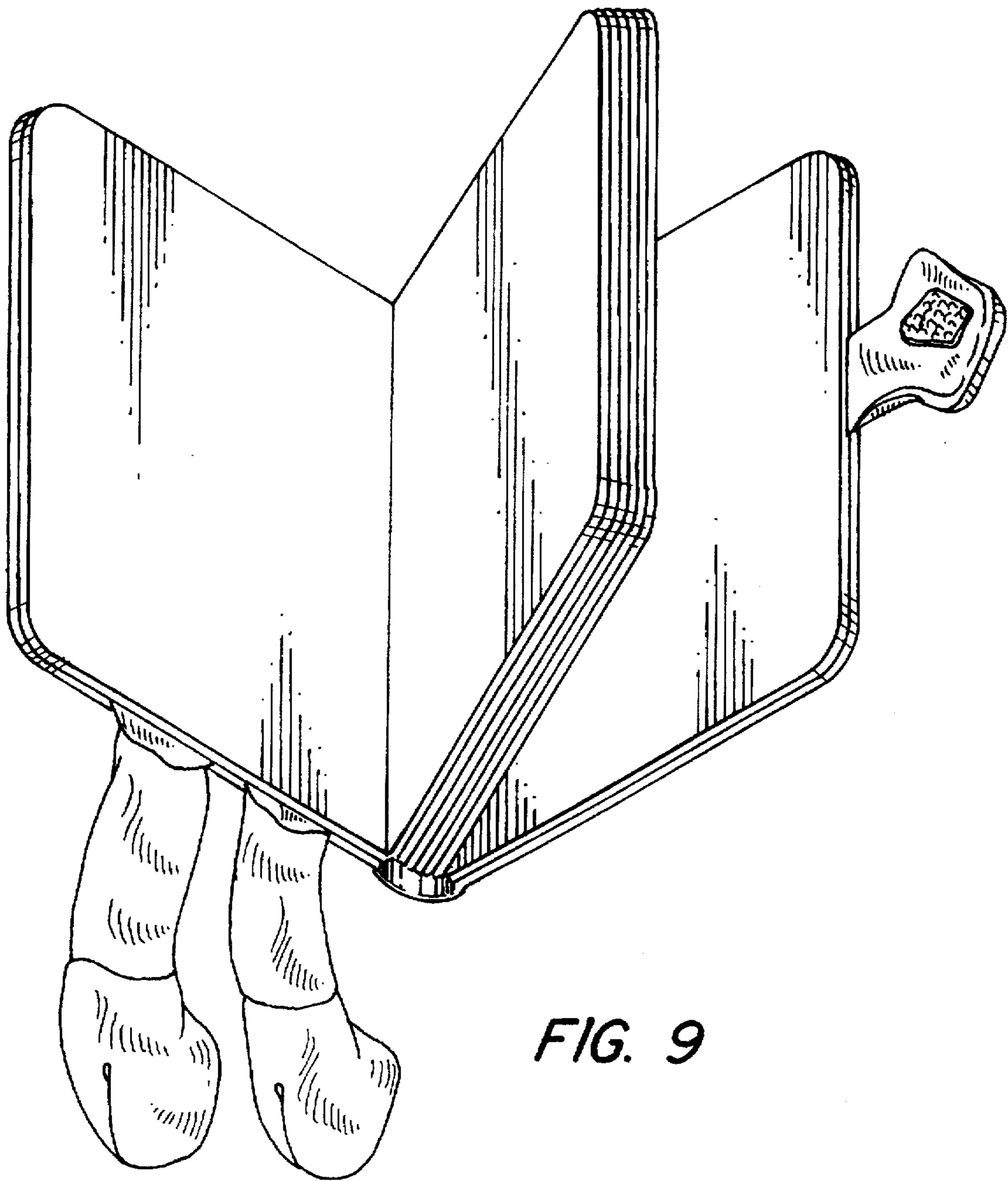


FIG. 9

UNITED STATES PATENT AND TRADEMARK OFFICE
CERTIFICATE OF CORRECTION

PATENT NO. : D 386,785
DATED : November 25, 1997
INVENTOR(S) : William N. Derraugh

It is certified that error appears in the above-identified patent and that said Letters Patent is hereby corrected as shown below:

On the cover page, under "References Cited", the following should appear:

Joshua Morris Publishing, Inc.; Dress 'n' Play KITTY;
copyright 1990; Printed in Hong Kong

Penny Dann and Running Press Book Publishers;
Book Buddy; copyright 1995, Made In China

Signed and Sealed this
Ninth Day of June, 1998

Attest:



BRUCE LEHMAN

Attesting Officer

Commissioner of Patents and Trademarks