



US00D386782S

United States Patent [19]
Sasaki

[11] **Patent Number:** **Des. 386,782**
[45] **Date of Patent:** ****Nov. 25, 1997**

[54] **SWIVEL STAND FOR TRANSACTION
TERMINAL CONSOLE**

[75] **Inventor:** **Jeffrey Karl Sasaki**, Redwood City,
Calif.

[73] **Assignee:** **Verifone Inc.**, Redwood City, Calif.

[**] **Term:** **14 Years**

[21] **Appl. No.:** **57,341**

[22] **Filed:** **Jul. 23, 1996**

[51] **LOC (6) Cl.** **18-01**

[52] **U.S. Cl.** **D18/4; D14/114**

[58] **Field of Search** **D18/4, 12, 56;**
D14/100, 105, 106, 114, 113; 248/346,
917-924; 361/680-686; 235/145 A, 145 R,
2, 6, 7 R, 383; 364/404, 405, 706.1, 708.1

[56] **References Cited**

U.S. PATENT DOCUMENTS

D. 311,392	10/1990	Hillary et al.	D14/114
D. 358,381	5/1995	Merino	D14/114
D. 362,244	9/1995	Takemasa	D14/114

Primary Examiner—Caron D. Veynar
Attorney, Agent, or Firm—Lowell C. Bergstedt

[57] **CLAIM**

The ornamental design for a swivel stand for transaction terminal console, as shown and described.

DESCRIPTION

FIG. 1 is a perspective view of a swivel stand for transaction terminal console showing my new design; the broken line showing of a transaction terminal is for illustrative purposes only and forms no part of the claimed design;

FIG. 2 is a top plan view of the swivel stand shown in FIG. 1;

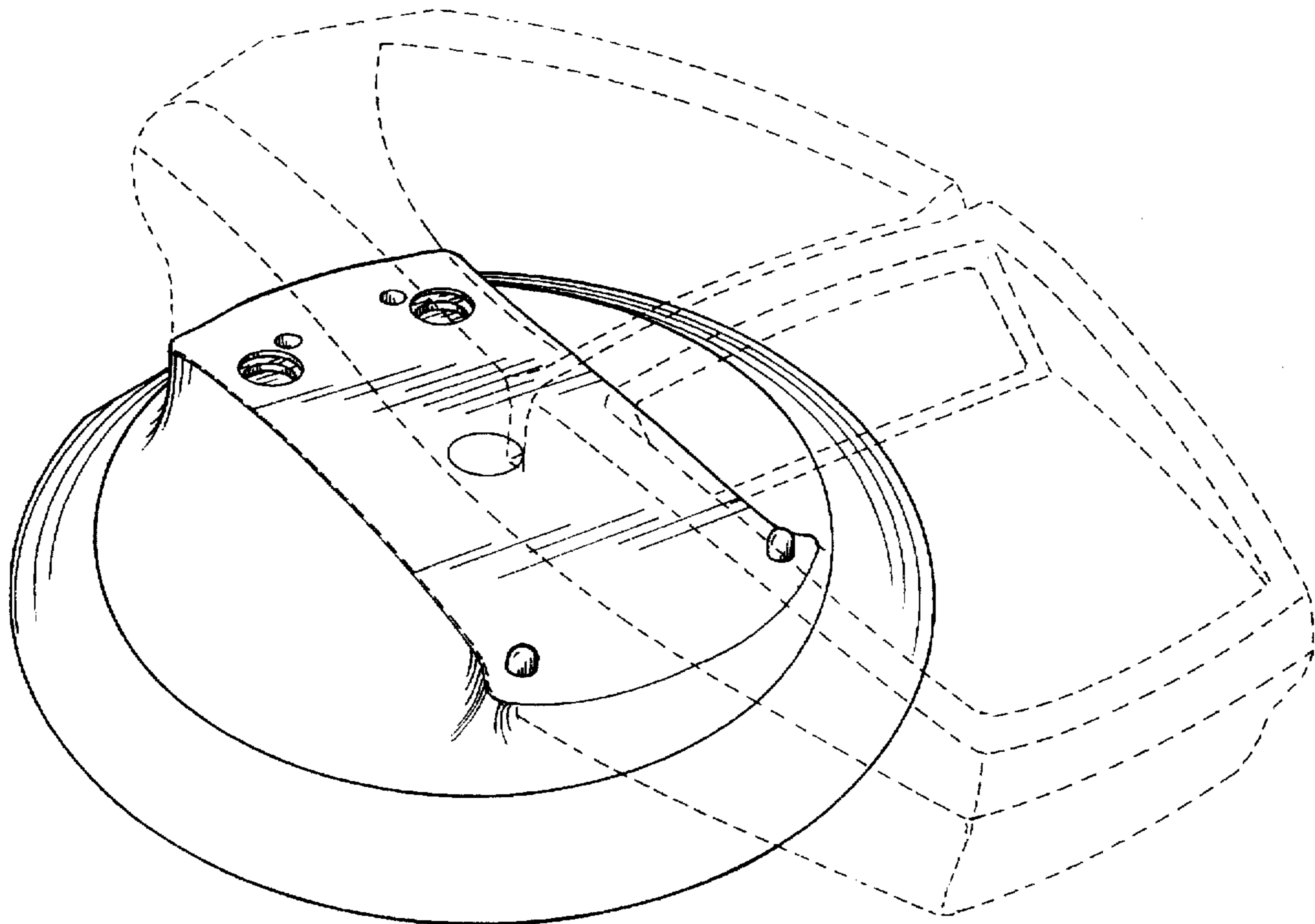
FIG. 3 is a front elevational view of the swivel stand shown in FIG. 1;

FIG. 4 is a rear elevational view of the swivel stand shown in FIG. 1; and,

FIG. 5 is a right side view of the swivel stand shown in FIG. 1, the left side view being a mirror image thereof.

The bottom side of the swivel stand is unornamented and forms no part of my invention.

1 Claim, 3 Drawing Sheets



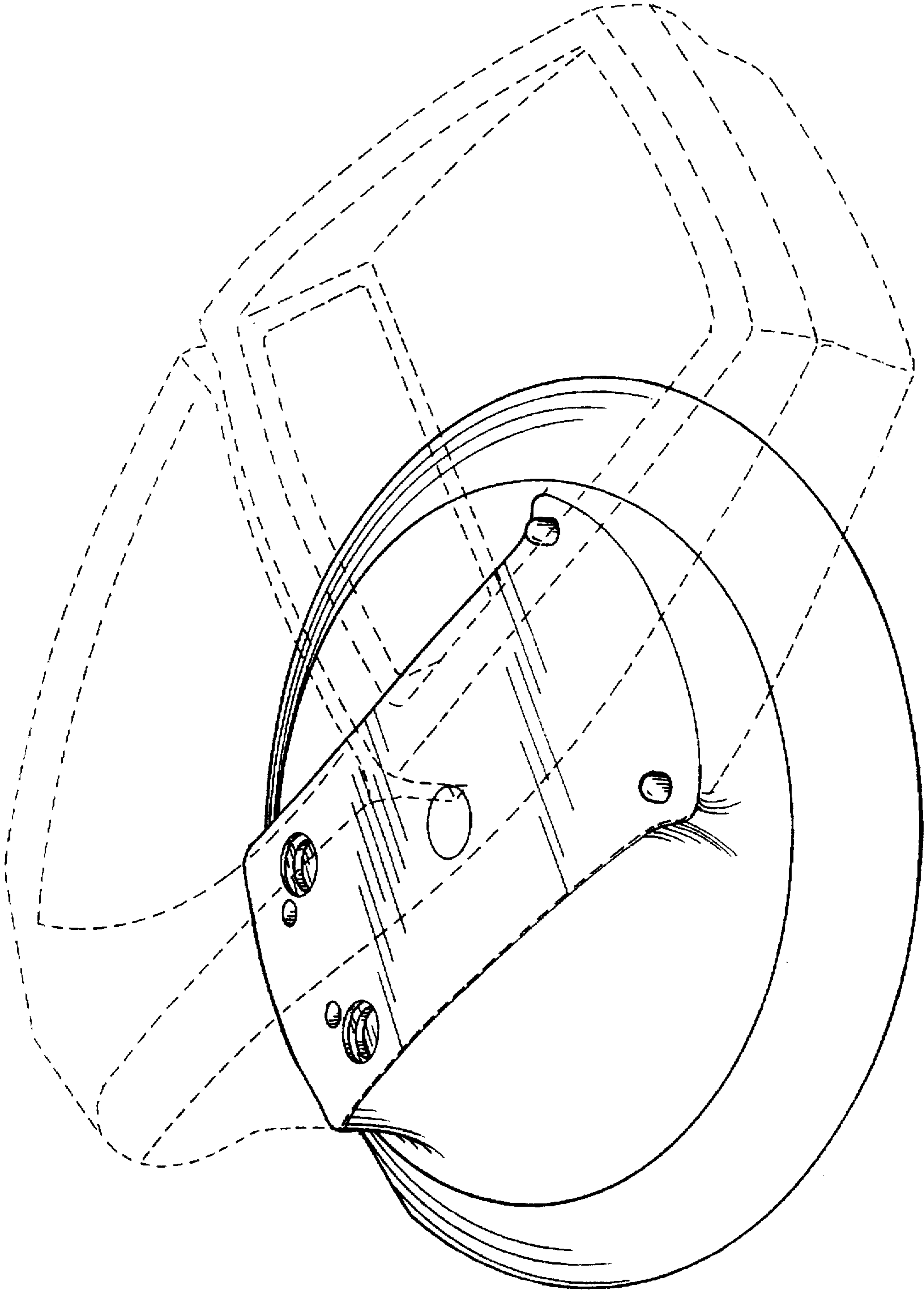


FIG. 1

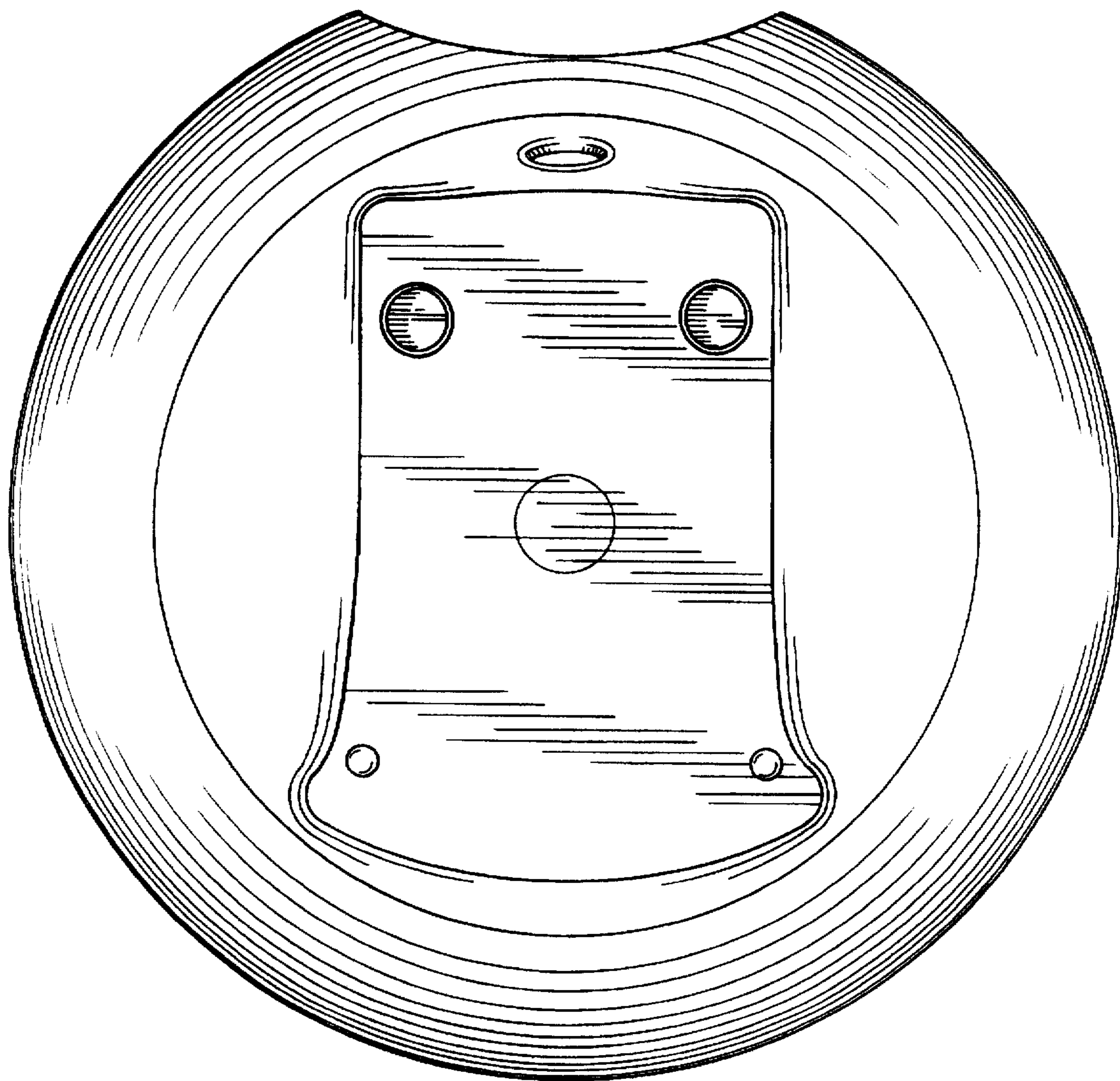


FIG. 2

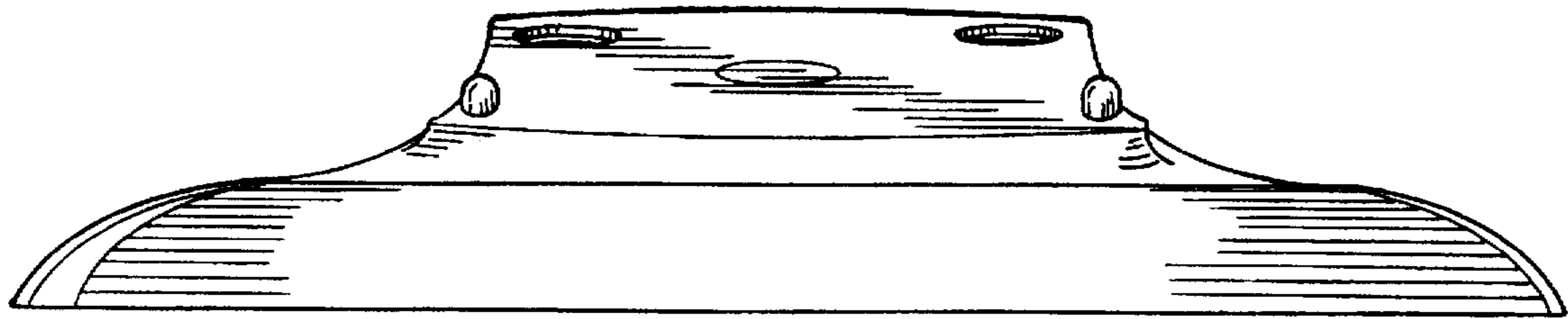


FIG. 3

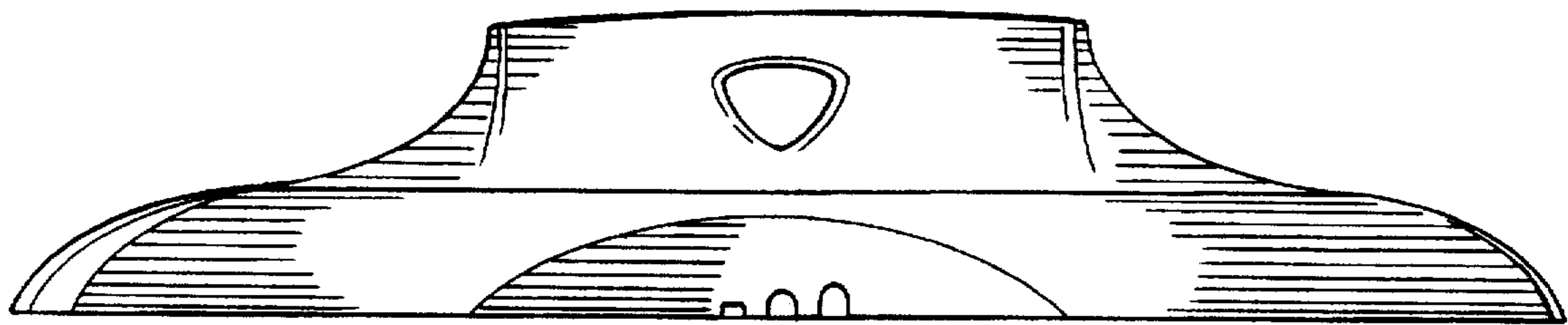


FIG. 4

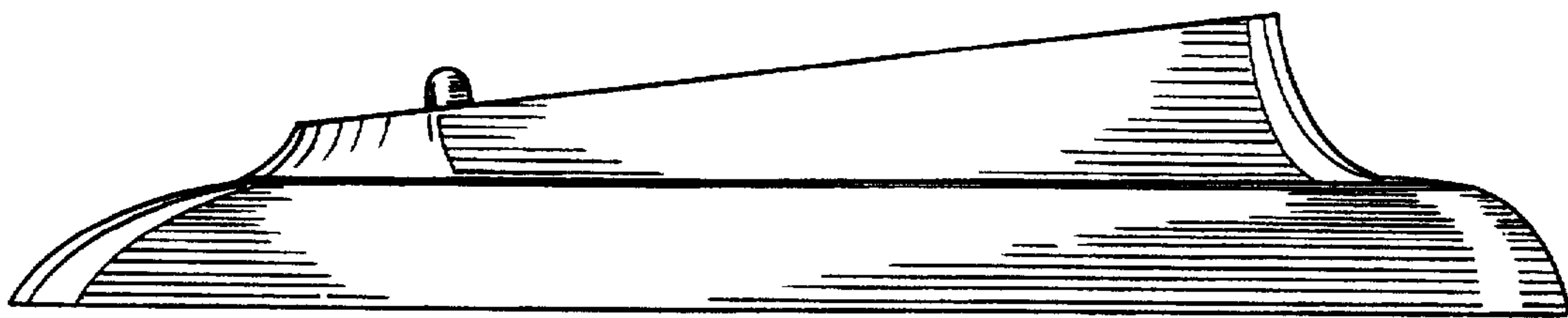


FIG. 5