



US00D386778S

United States Patent [19] Goto

[11] Patent Number: **Des. 386,778**

[45] Date of Patent: ****Nov. 25, 1997**

[54] **PEG OF A STRINGED INSTRUMENT**

[75] Inventor: **Takao Goto**, Gunma-ken, Japan

[73] Assignee: **Gotoh Gut Yugen Kaisha**, Isezaki, Japan

[**] Term: **14 Years**

[21] Appl. No.: **57,578**

[22] Filed: **Jul. 29, 1996**

[30] **Foreign Application Priority Data**

Jan. 29, 1996 [JP] Japan HE1SE18-1588
Jan. 29, 1996 [JP] Japan HE1SE18-1589

[51] LOC (6) Cl. **17-03**

[52] U.S. Cl. **D17/20; 84/306**

[58] Field of Search **D17/14, 15, 18-20;
84/304-306**

[56] **References Cited**

U.S. PATENT DOCUMENTS

| | | | | |
|------------|---------|-----------------|-------|--------|
| D. 206,460 | 12/1966 | Thompson | | D17/20 |
| D. 249,583 | 9/1978 | Worthing et al. | | D17/20 |
| D. 256,471 | 8/1980 | Spercel | | D17/20 |
| D. 311,414 | 10/1990 | Smith et al. | | D17/20 |
| 3,982,462 | 9/1976 | Schaller | | 84/306 |
| 4,625,614 | 12/1986 | Spercel | | 84/306 |
| 4,827,825 | 5/1989 | Goto et al. | | 84/306 |

FOREIGN PATENT DOCUMENTS

| | | |
|---------|--------|---------|
| 650249 | 5/1985 | Japan . |
| 795778 | 9/1990 | Japan . |
| 3-52079 | 8/1991 | Japan . |
| 936078 | 9/1995 | Japan . |

OTHER PUBLICATIONS

Gotoh '94 Guitar Parts Collection, p. 8, peg GB7.GB7L.

Primary Examiner—Philip S. Hyder
Assistant Examiner—Adir Aronovich

Attorney, Agent, or Firm—Wenderoth Lind & Ponack

[57] **CLAIM**

The ornamental design for a peg of a stringed instrument, as shown and described.

DESCRIPTION

FIG. 1 is a top right perspective view of a peg for a stringed instrument according to a first embodiment of the present invention;

FIG. 2 is a view taken from the bottom and the left of the peg for a stringed instrument of FIG. 1;

FIG. 3 is a plan view of the first embodiment;

FIG. 4 is a bottom view of the first embodiment;

FIG. 5 is a front view of the first embodiment;

FIG. 6 is a rear view of the first embodiment;

FIG. 7 is a right side view of the peg for a stringed instrument according to the first embodiment;

FIG. 8 is a left side view of the peg for a stringed instrument according to the first embodiment;

FIG. 9 is a top right perspective view of a peg for a stringed instrument according to a second embodiment of the present invention, the second embodiment differing primarily from the first embodiment in the fact that the heart-shaped knob is at least partially translucent;

FIG. 10 is a bottom left perspective view of the second embodiment according to the present invention;

FIG. 11 is a plan view of the second embodiment;

FIG. 12 is a bottom view according to the second embodiment;

FIG. 13 is a front view of the second embodiment;

FIG. 14 is a rear view of the second embodiment;

FIG. 15 is a right side view of the second embodiment; and,

FIG. 16 is a left side view of the second embodiment.

The two embodiments according to the design of the present invention differ primarily in that in the first embodiment the heart-like shaped knob is not translucent, wherein in the second embodiment the heart-like shaped knob is at least partially translucent.

1 Claim, 6 Drawing Sheets

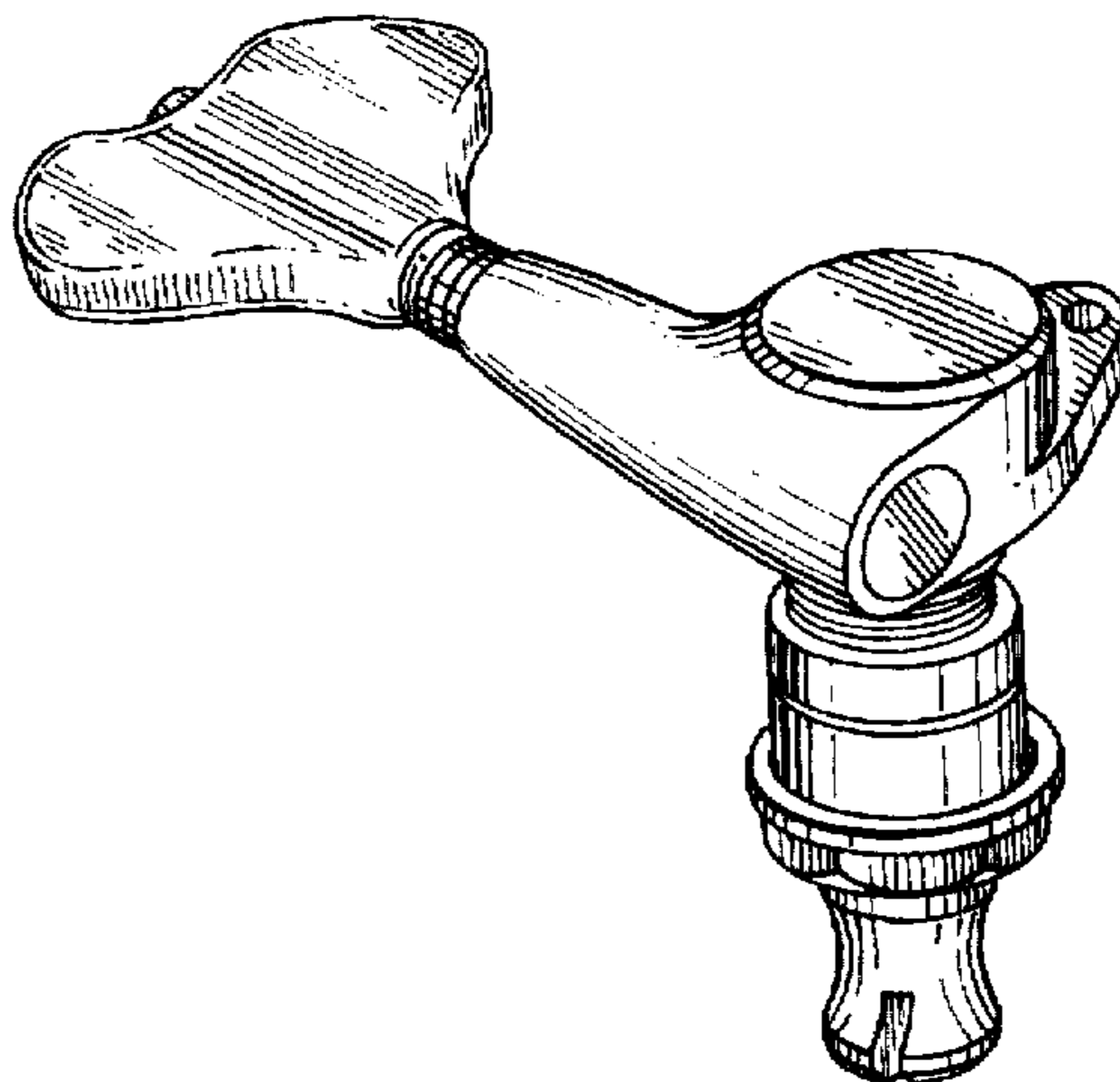
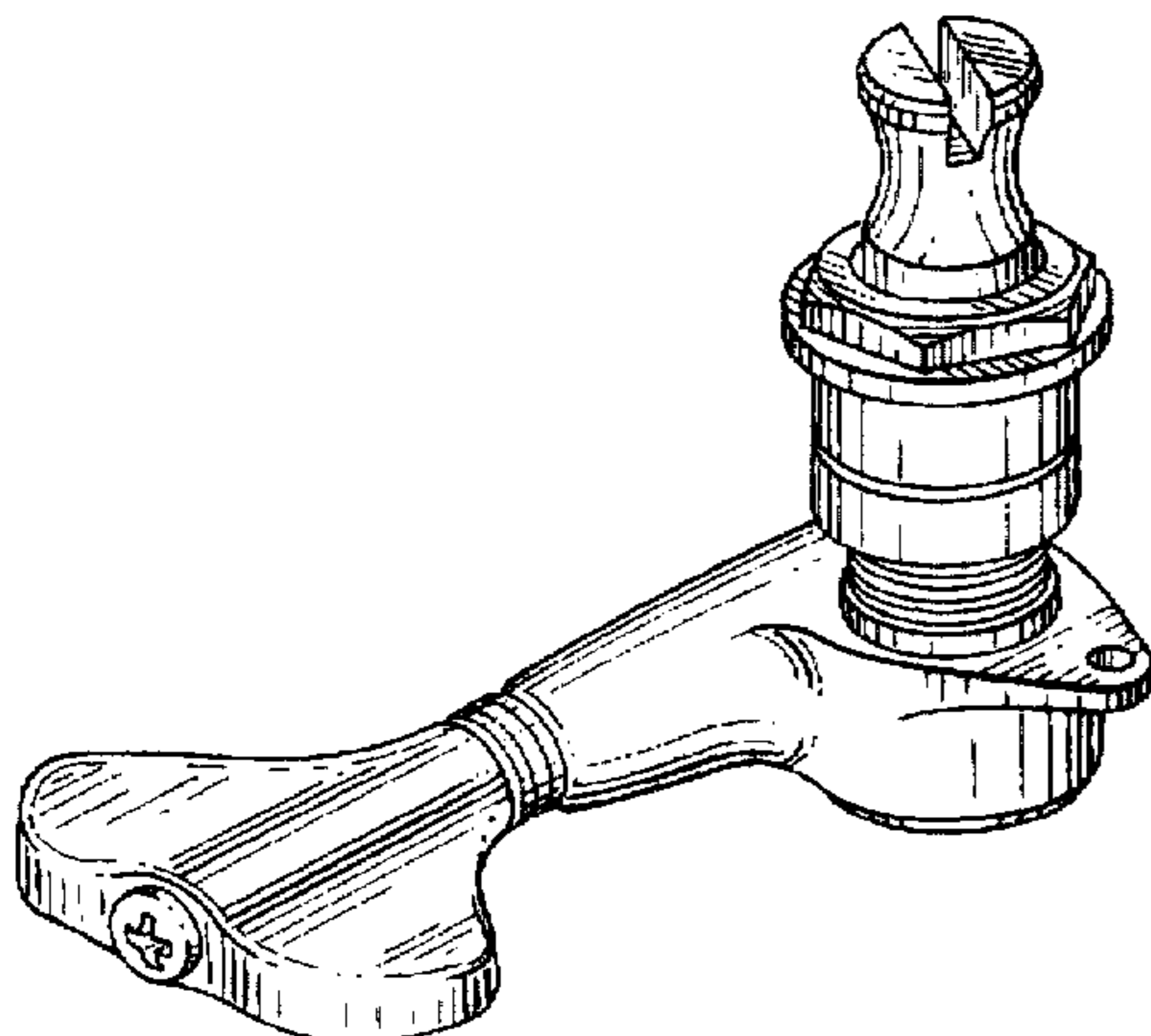


FIG.1

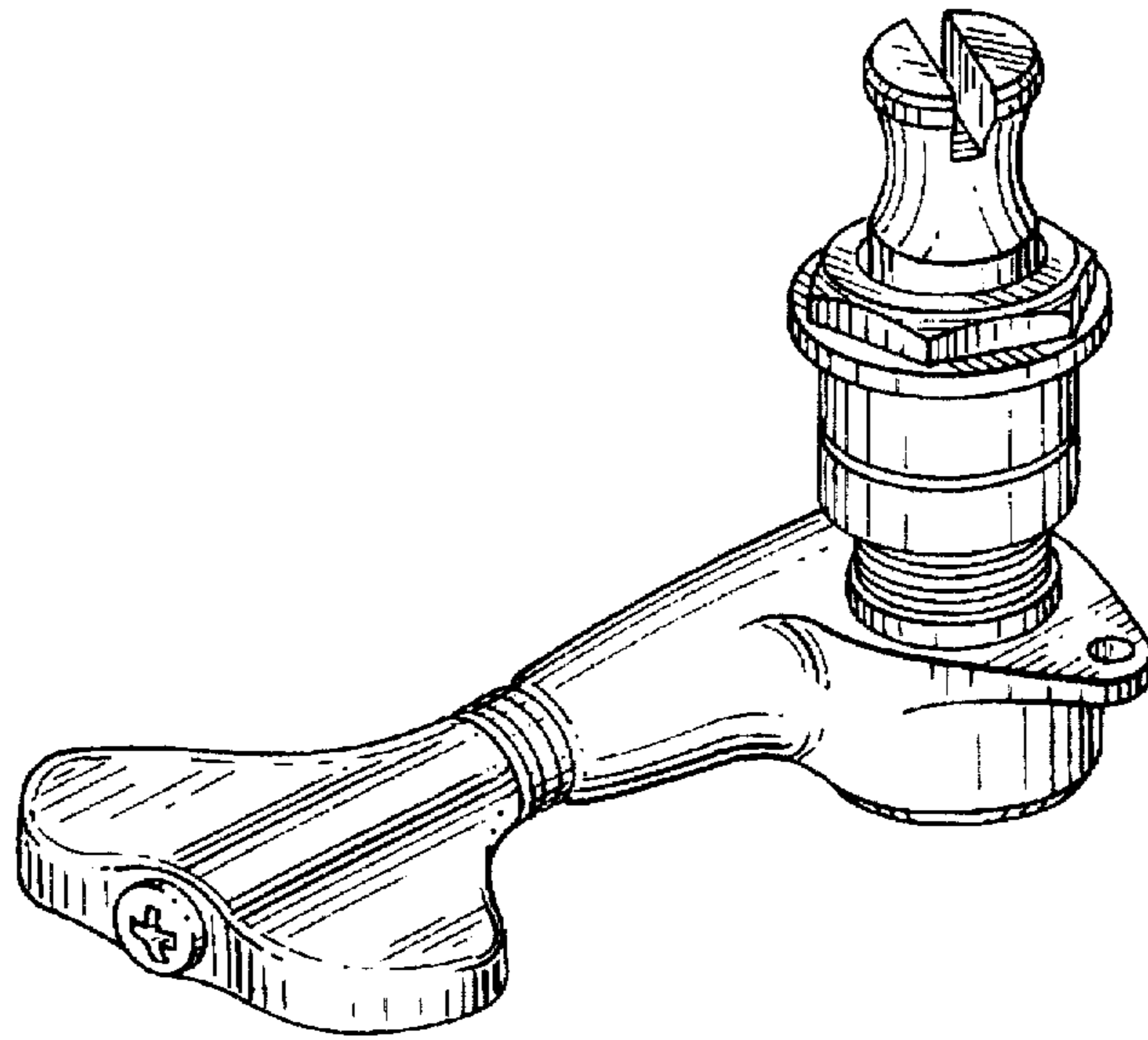


FIG.2

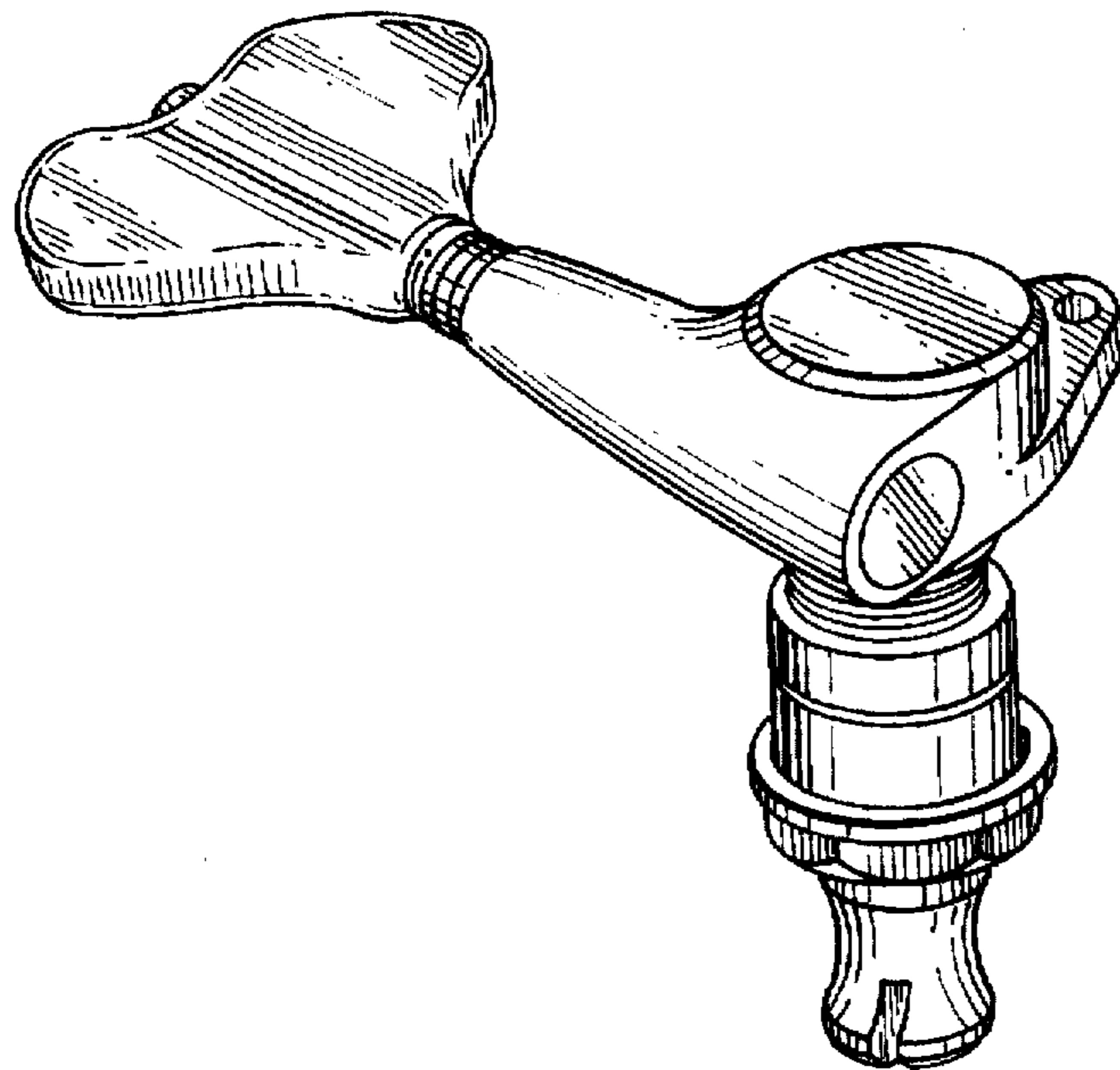


FIG.3

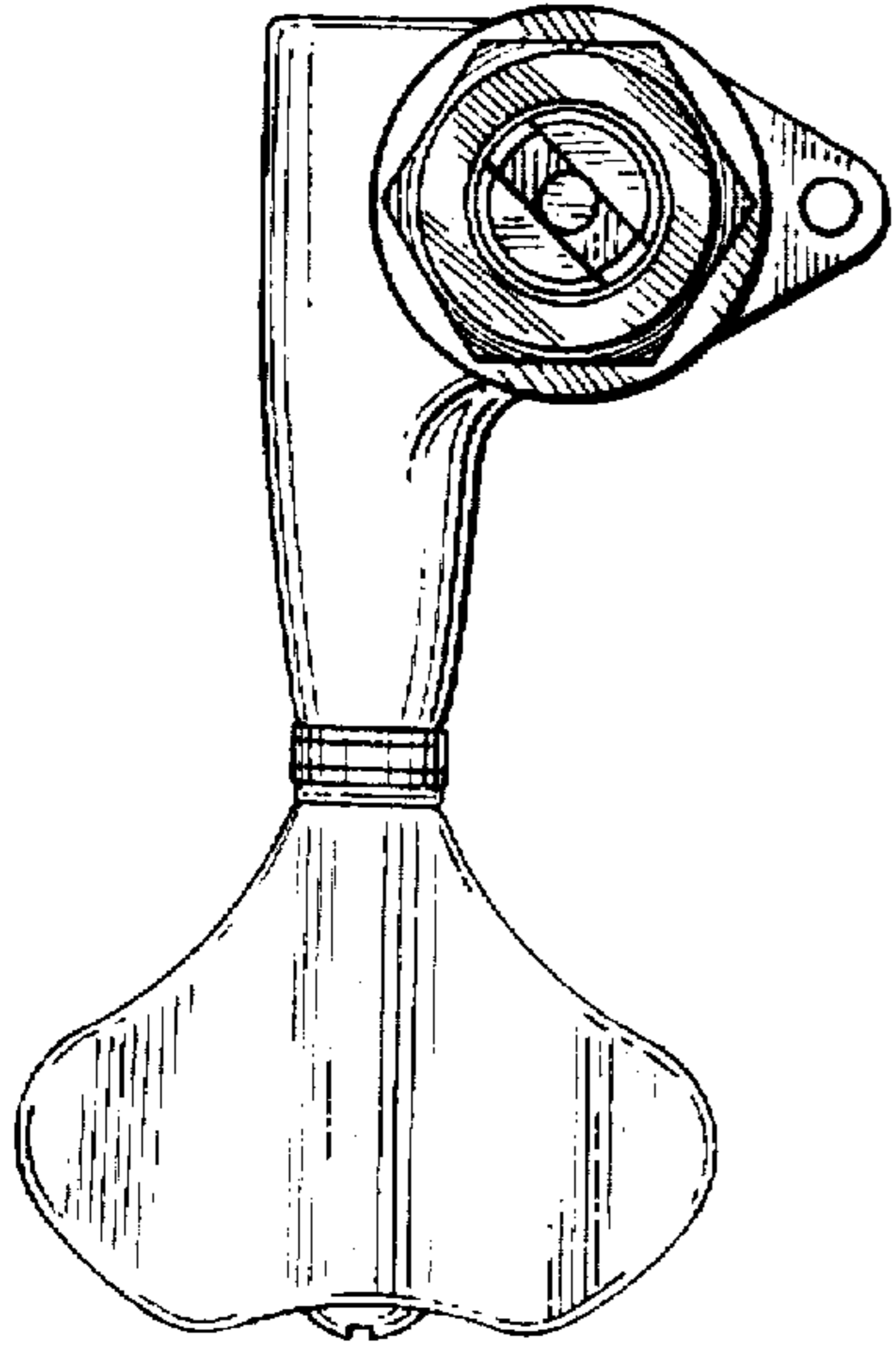


FIG.4

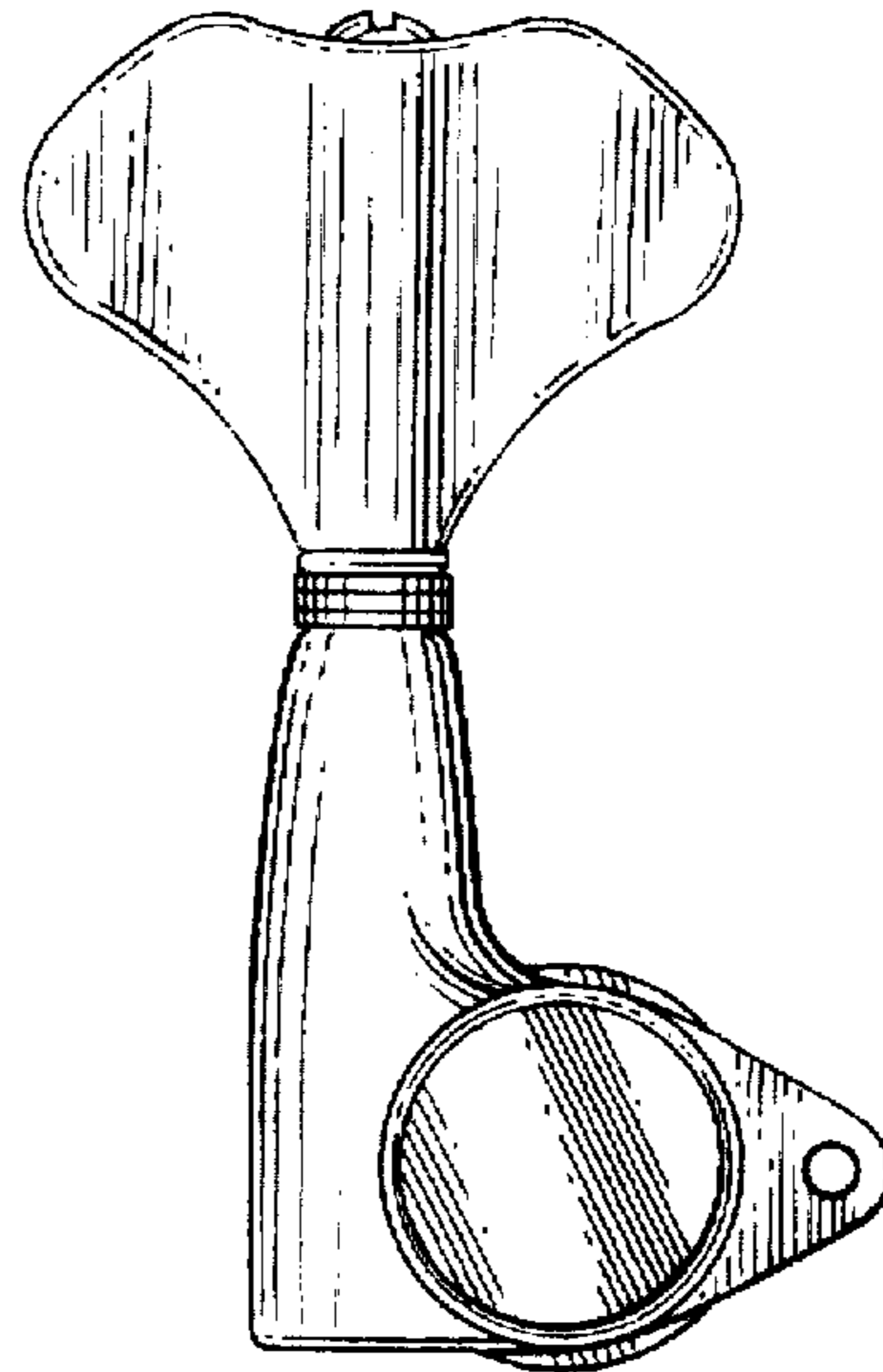


FIG.5

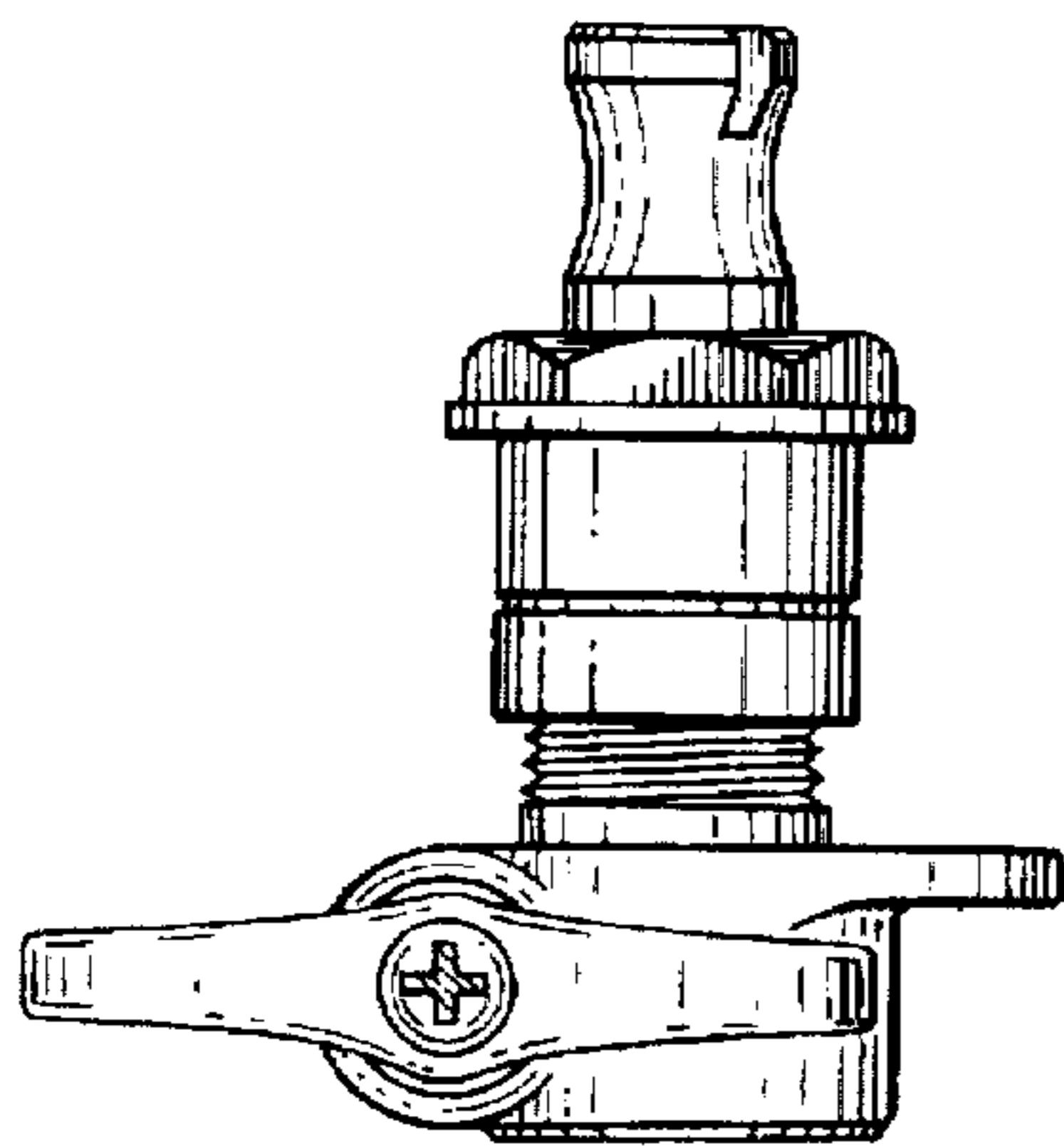


FIG.6

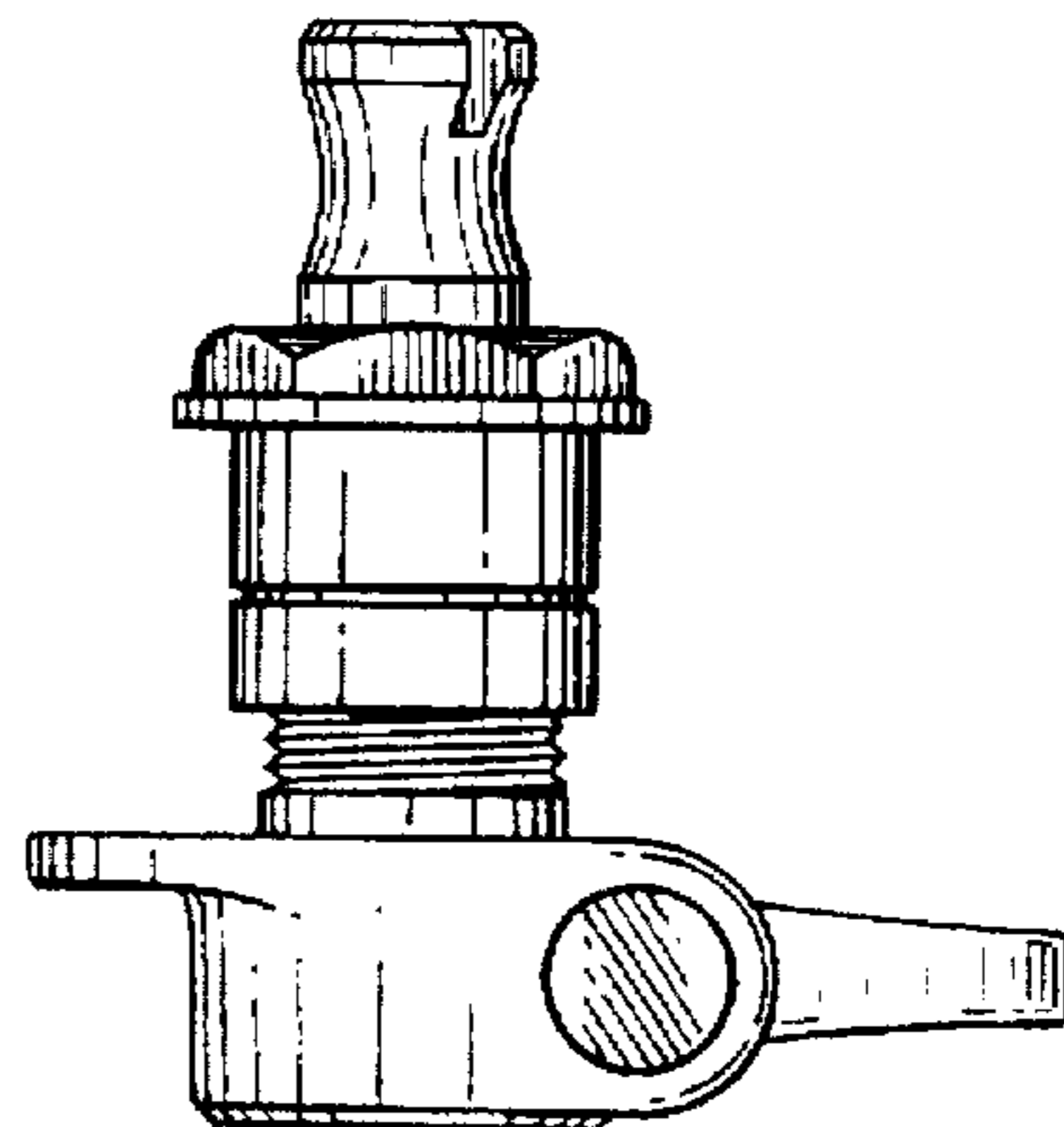


FIG. 7

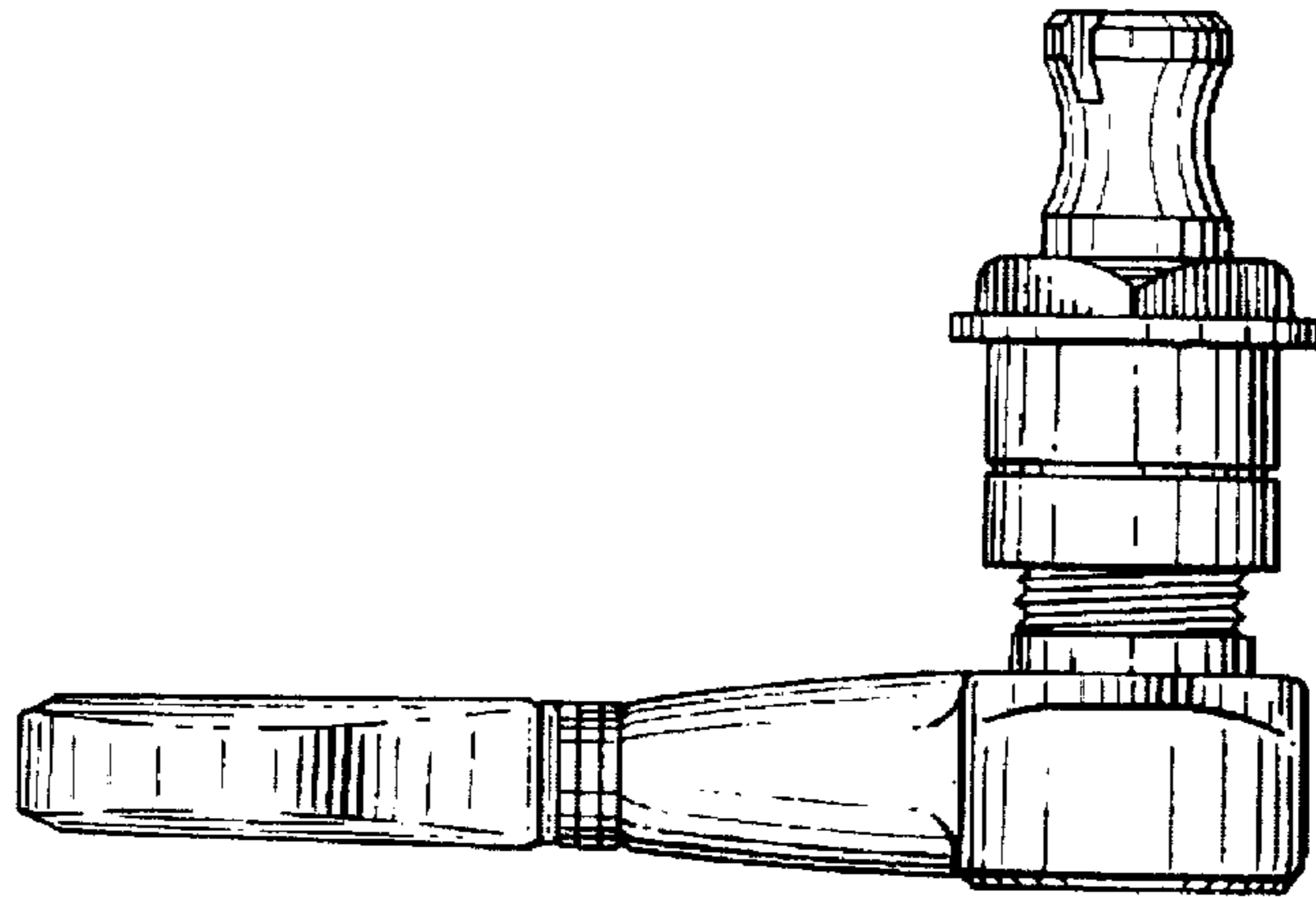


FIG. 8

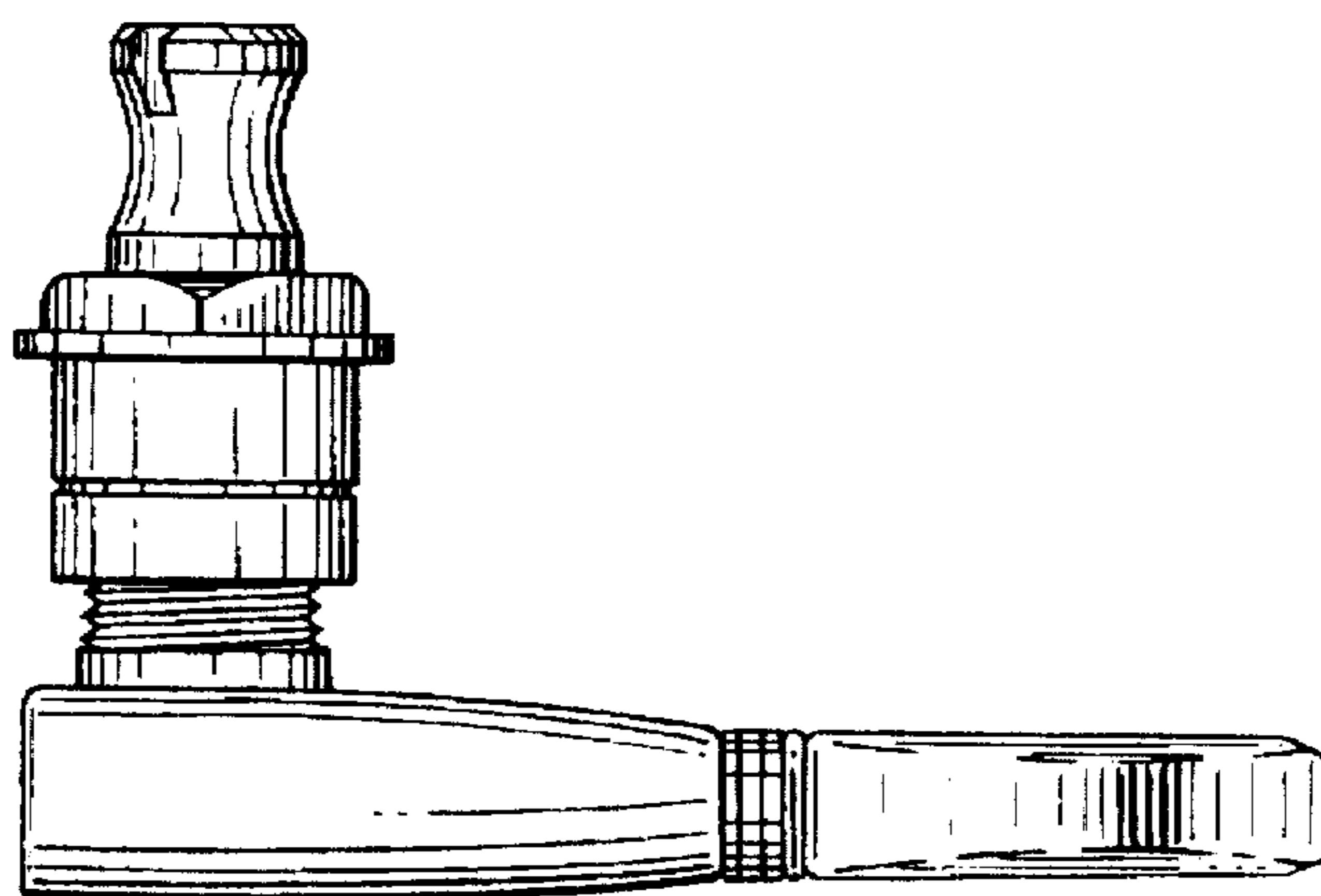


FIG. 9

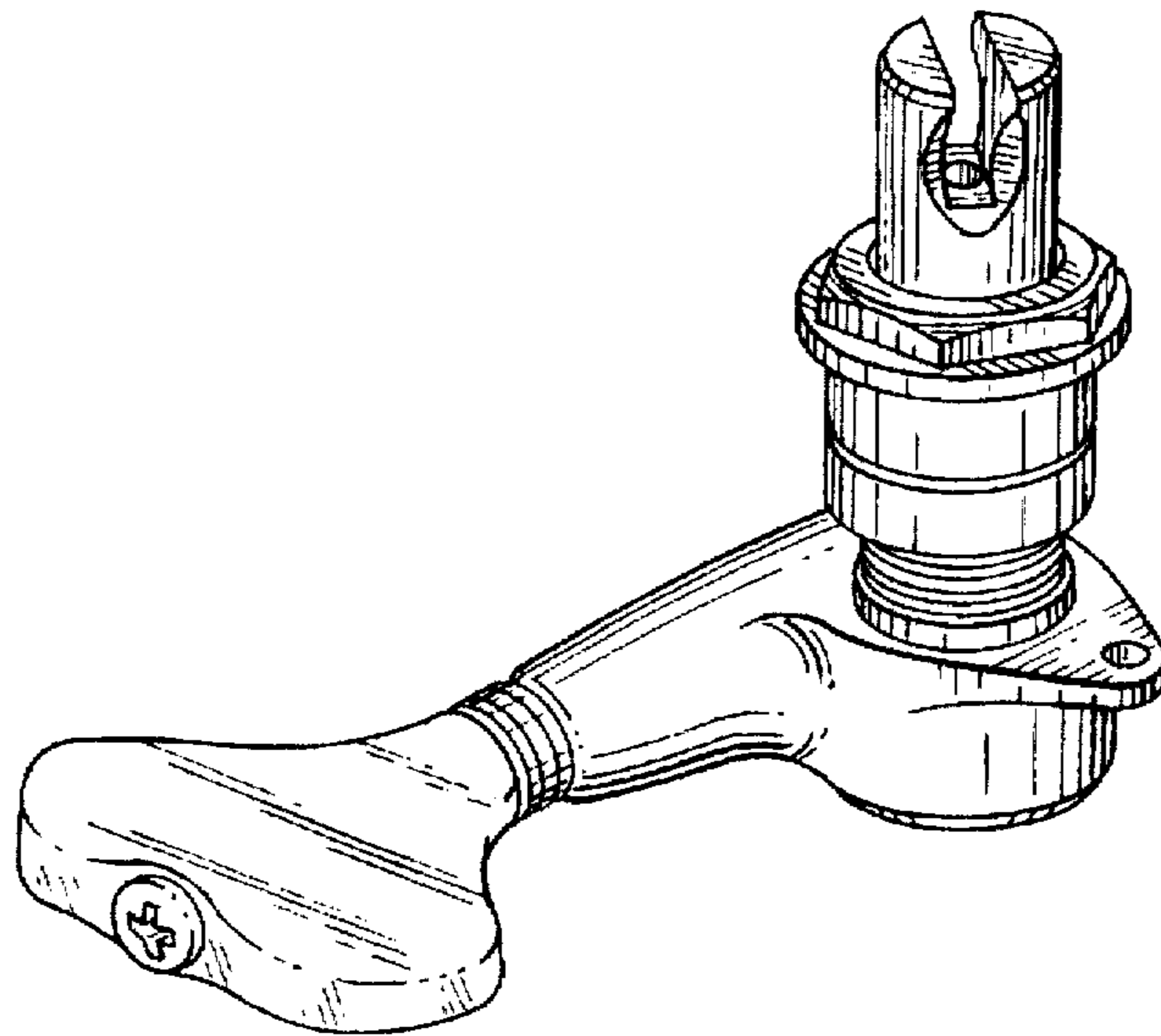


FIG. 10

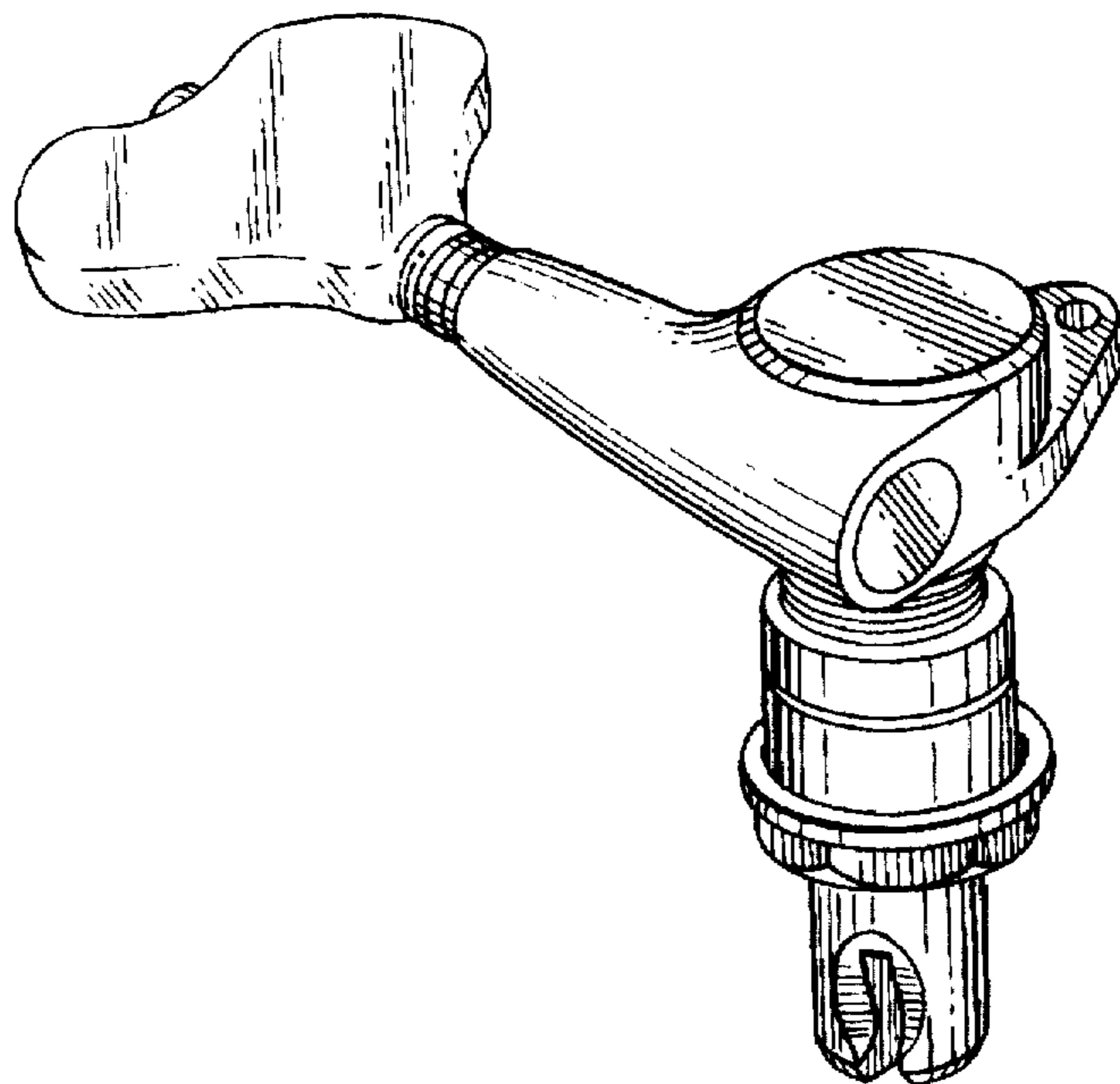


FIG.11

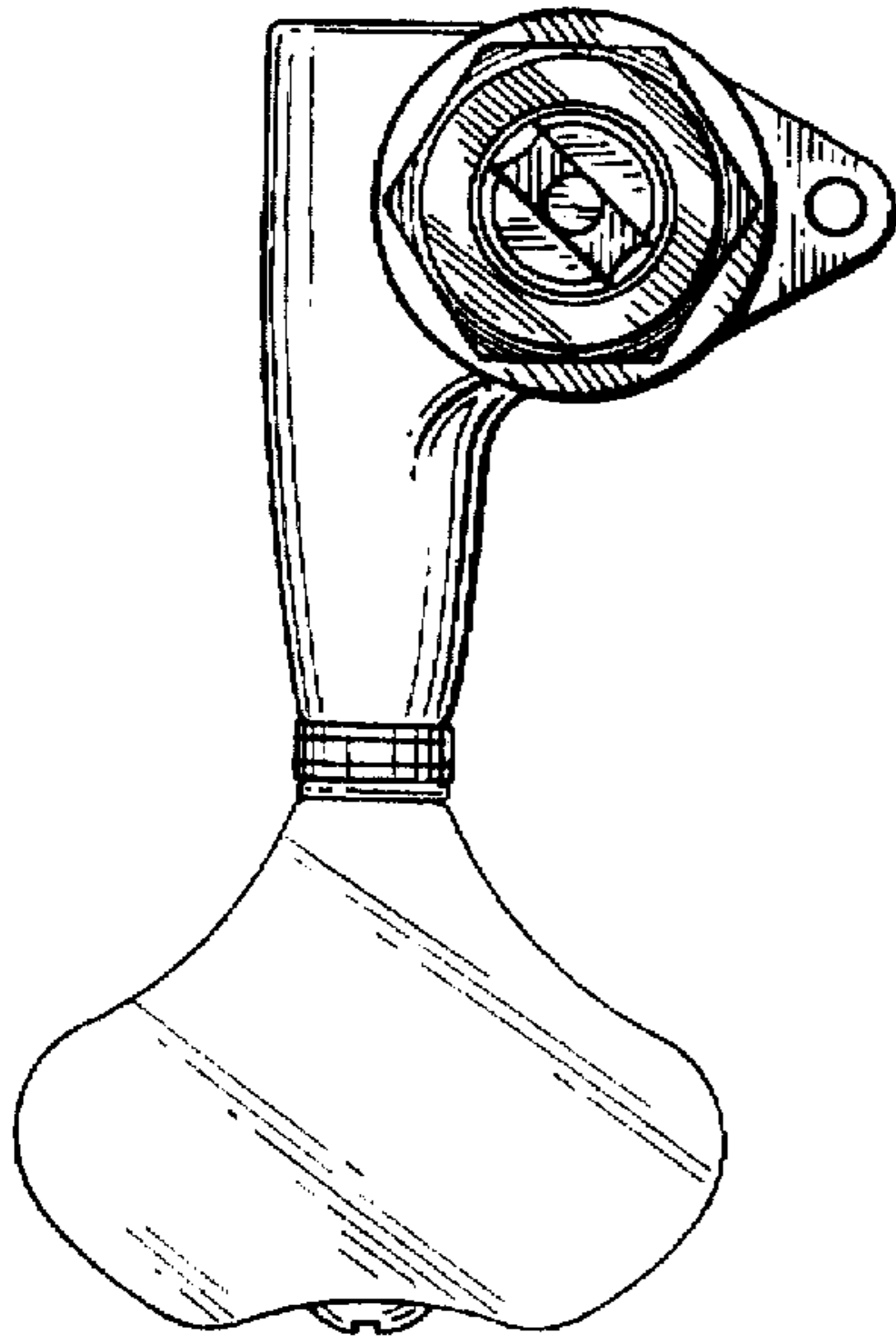


FIG.12

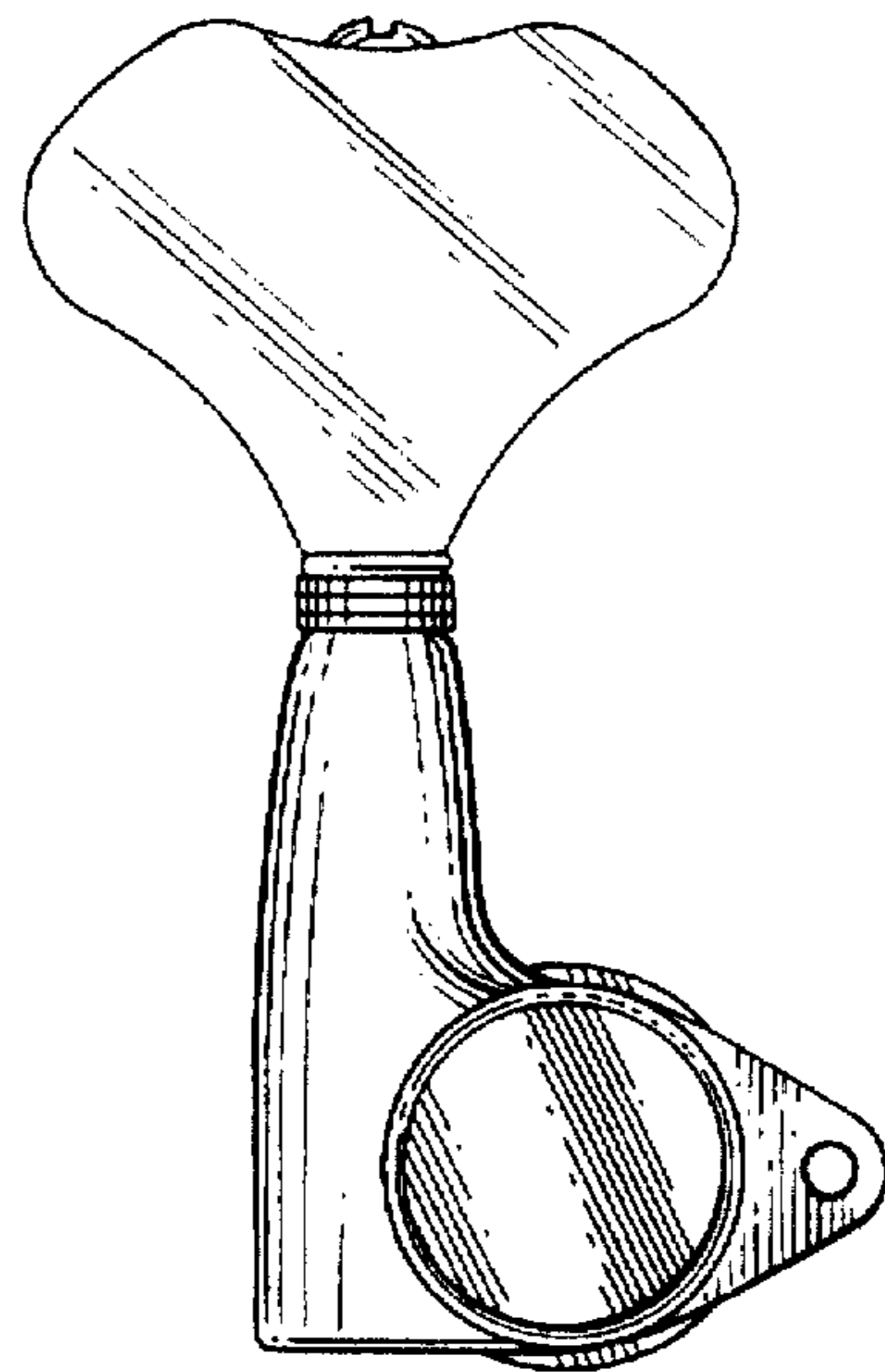


FIG.13

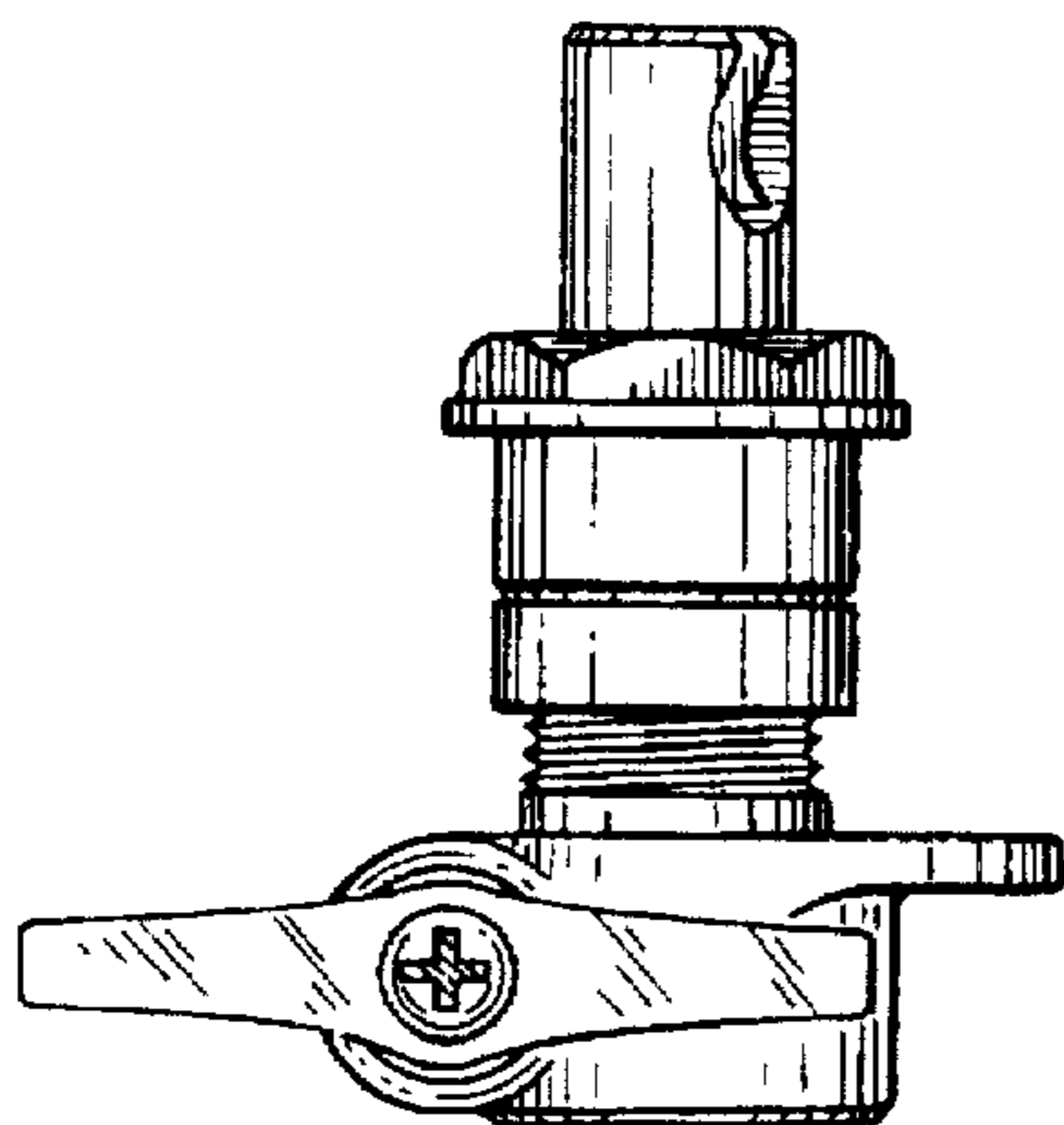


FIG.14

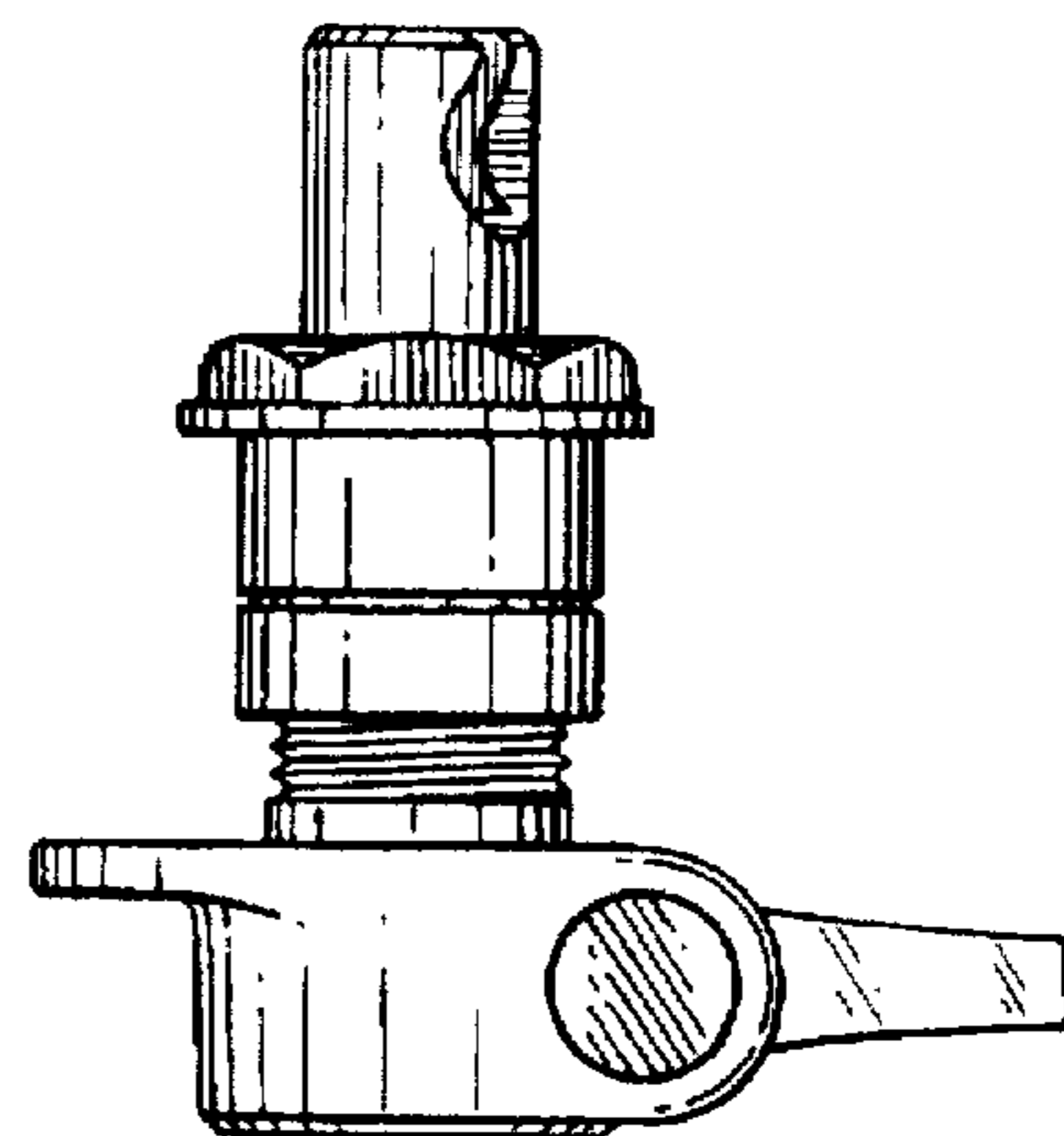


FIG.15

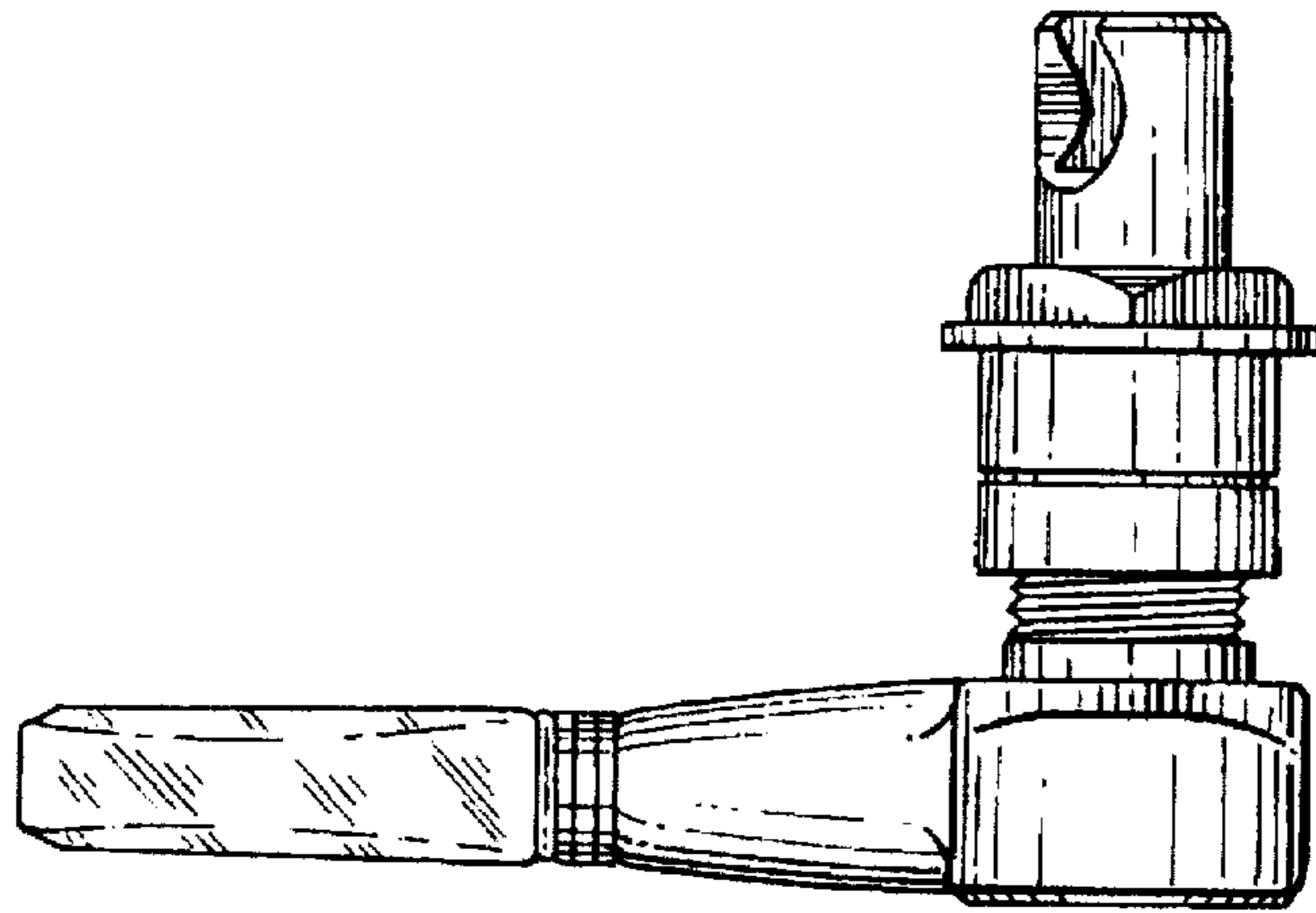


FIG.16

