



US00D386776S

United States Patent [19]
Hirabayashi

[11] **Patent Number: Des. 386,776**
[45] **Date of Patent: **Nov. 25, 1997**

[54] **FILM SCANNER**

[75] **Inventor: Katsumi Hirabayashi, Tokyo, Japan**

[73] **Assignee: Fuji Photo Film Co., Ltd., Kanagawa, Japan**

[**] **Term: 14 Years**

[21] **Appl. No.: 57,199**

[22] **Filed: Jul. 19, 1996**

[30] **Foreign Application Priority Data**

Jan. 22, 1996 [JP] Japan 8-1246

[51] **LOC (6) Cl. 16-04**

[52] **U.S. Cl. D16/246**

[58] **Field of Search** D14/107, 105;
D16/246-250; 250/566, 568; 355/64, 65,
231, 233; 358/408, 474, 497

[56] **References Cited**

U.S. PATENT DOCUMENTS

D. 152,310 1/1949 Winnek D16/246

D. 318,479 7/1991 Nishiseko D16/246
D. 363,924 11/1995 Ueda et al. D14/107
D. 368,256 3/1996 Stropkay et al. D16/246

Primary Examiner—Philip S. Hyder
Assistant Examiner—Adir Aronovich
Attorney, Agent, or Firm—Young & Thompson

[57] **CLAIM**

The ornamental design for a film scanner, as shown.

DESCRIPTION

FIG. 1 is a top, front and side perspective view of a film scanner, showing my new design;
FIG. 2 is a front elevational view thereof;
FIG. 3 is a rear elevational view thereof;
FIG. 4 is a top plan view thereof;
FIG. 5 is a bottom plan view thereof;
FIG. 6 is a side elevational view thereof from the left of FIG. 2; and,
FIG. 7 is a side elevational view thereof from the right of FIG. 2.

1 Claim, 4 Drawing Sheets

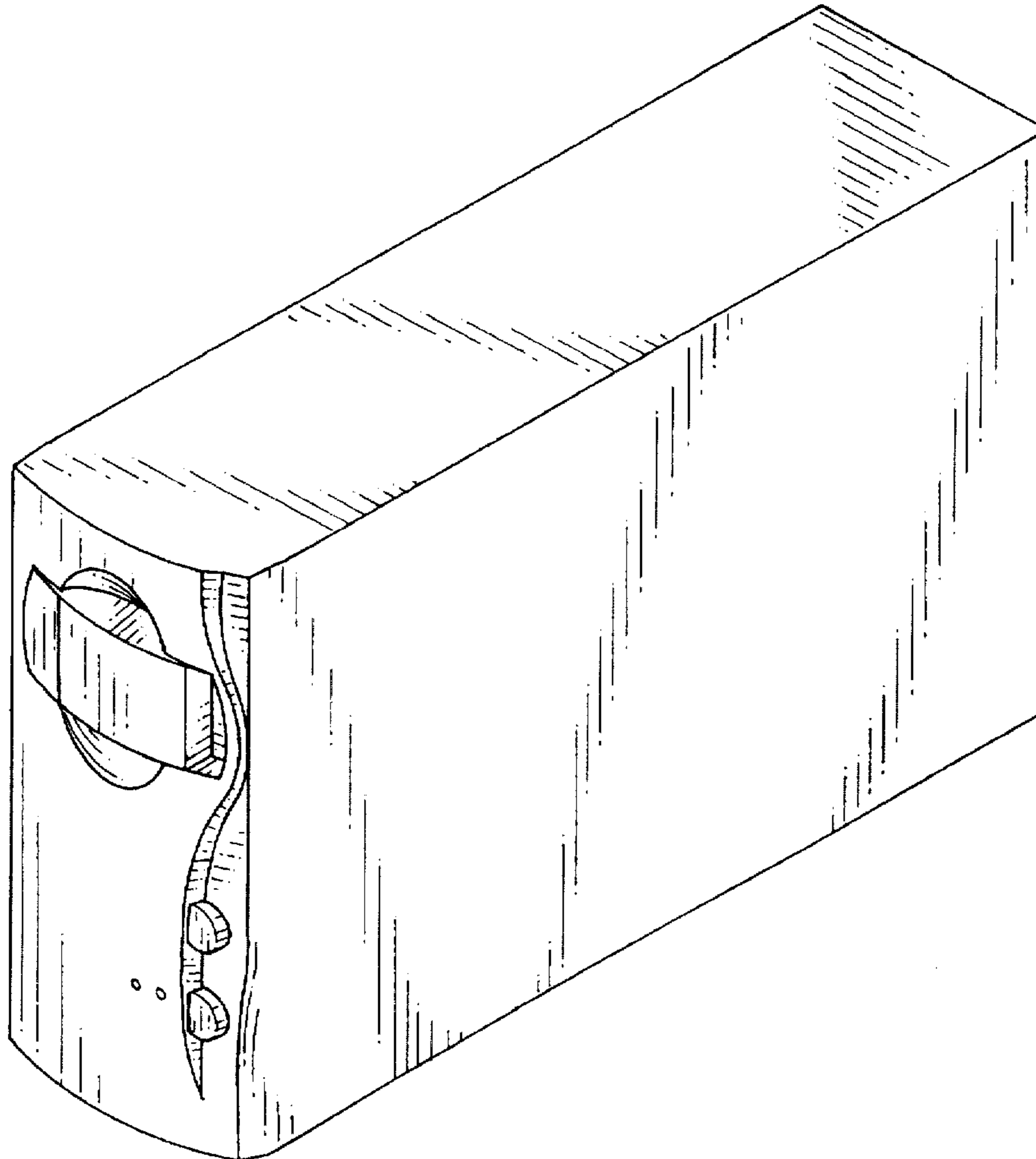


FIG. 1

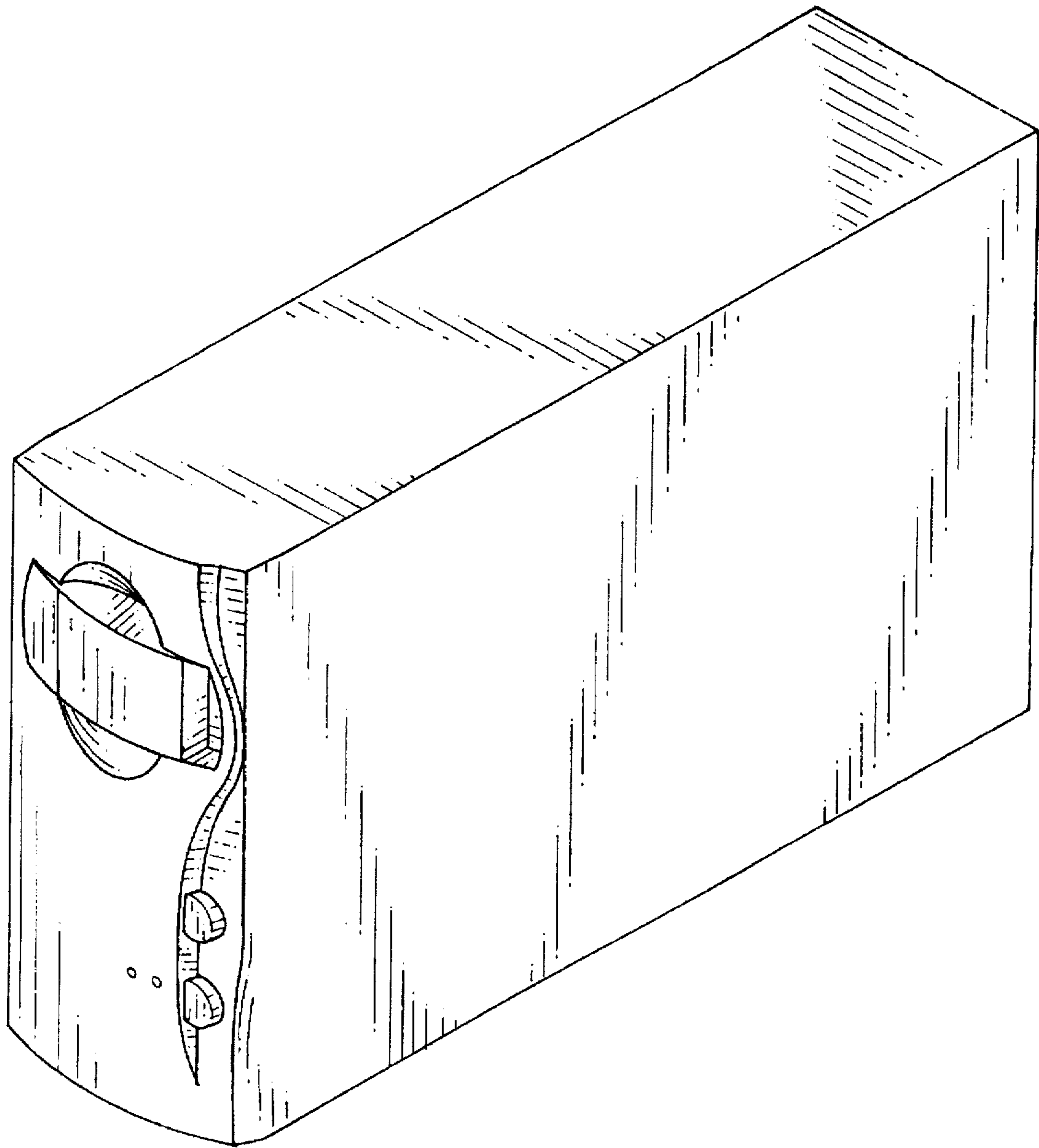


FIG. 2

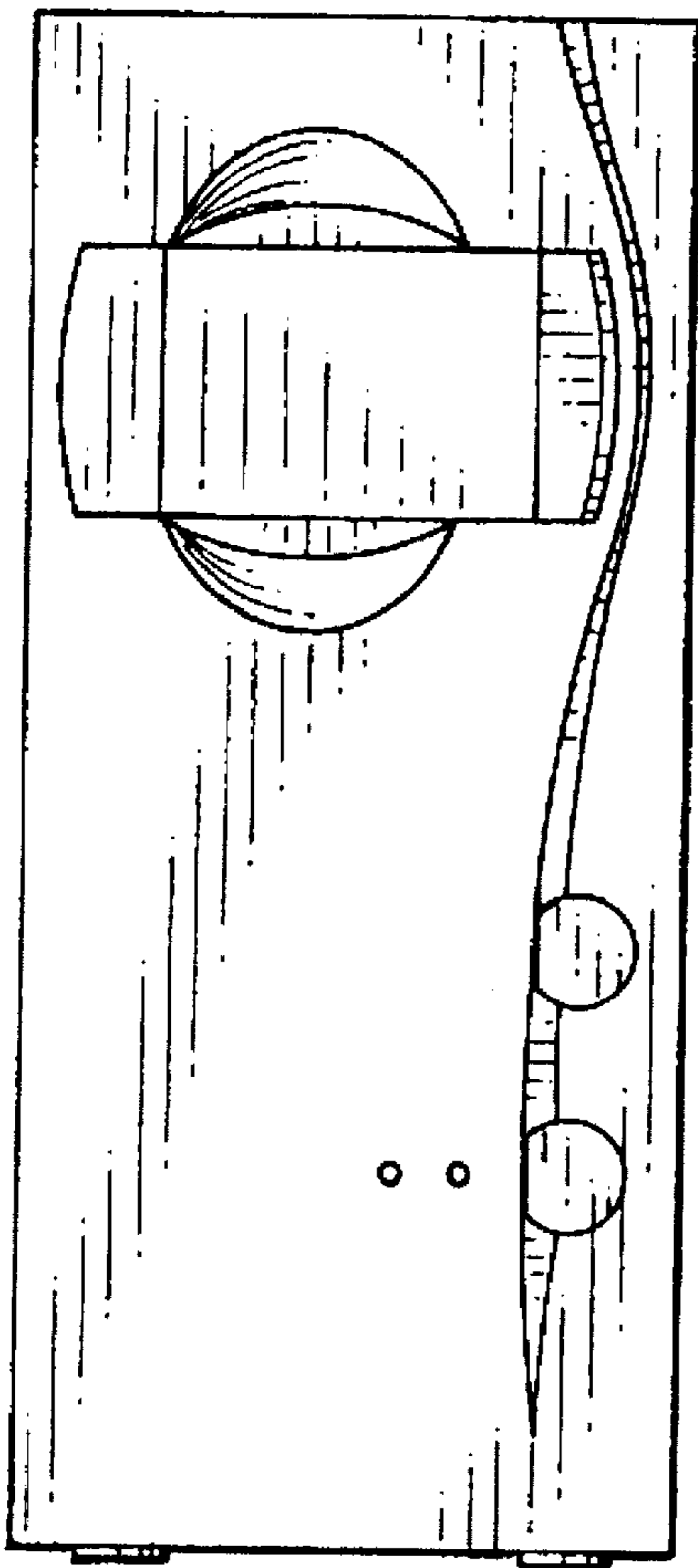


FIG. 3

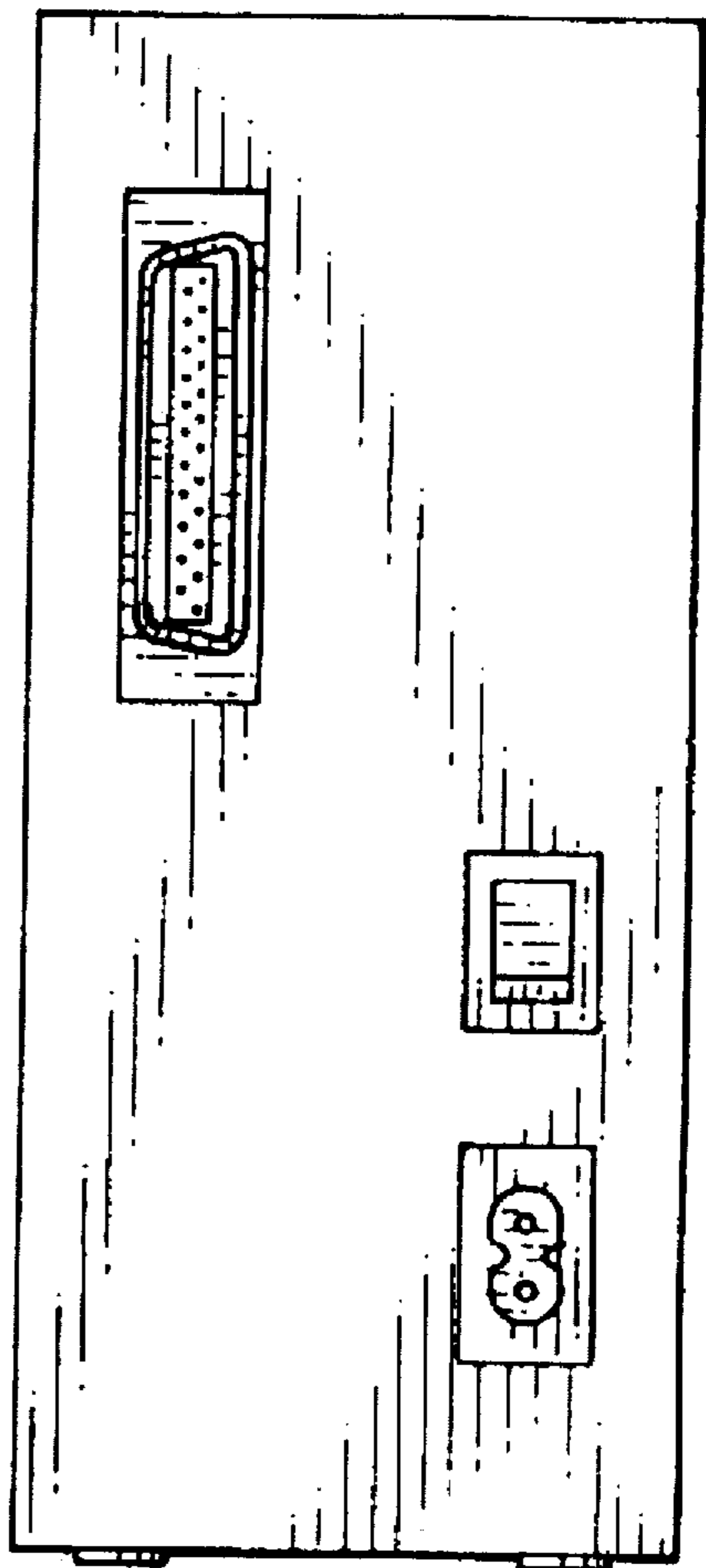


FIG. 4

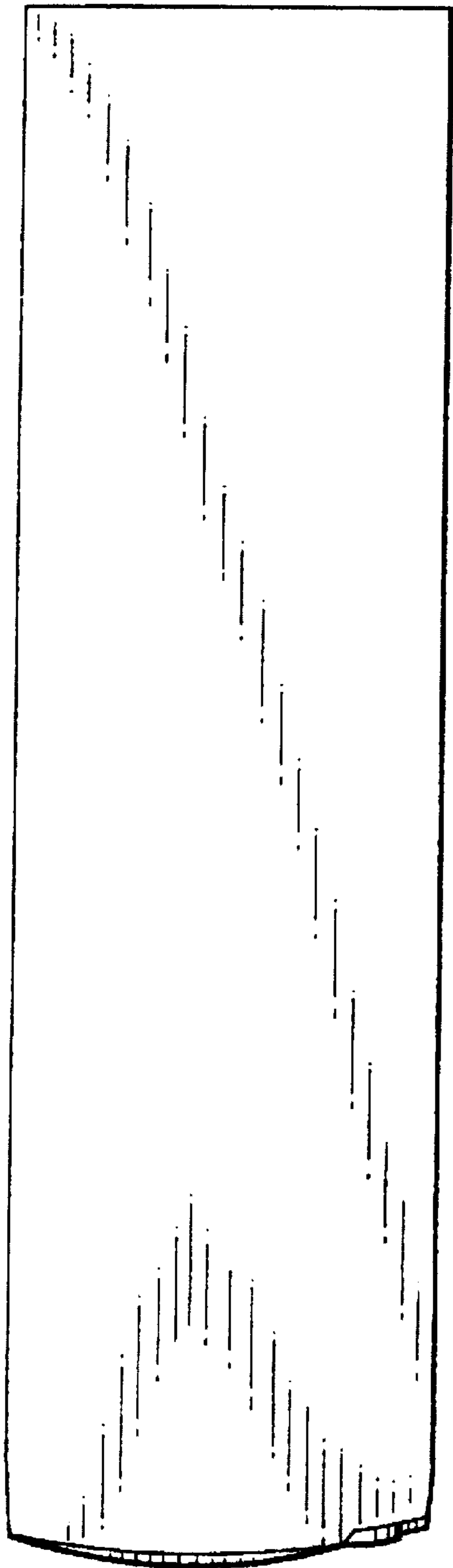


FIG. 5

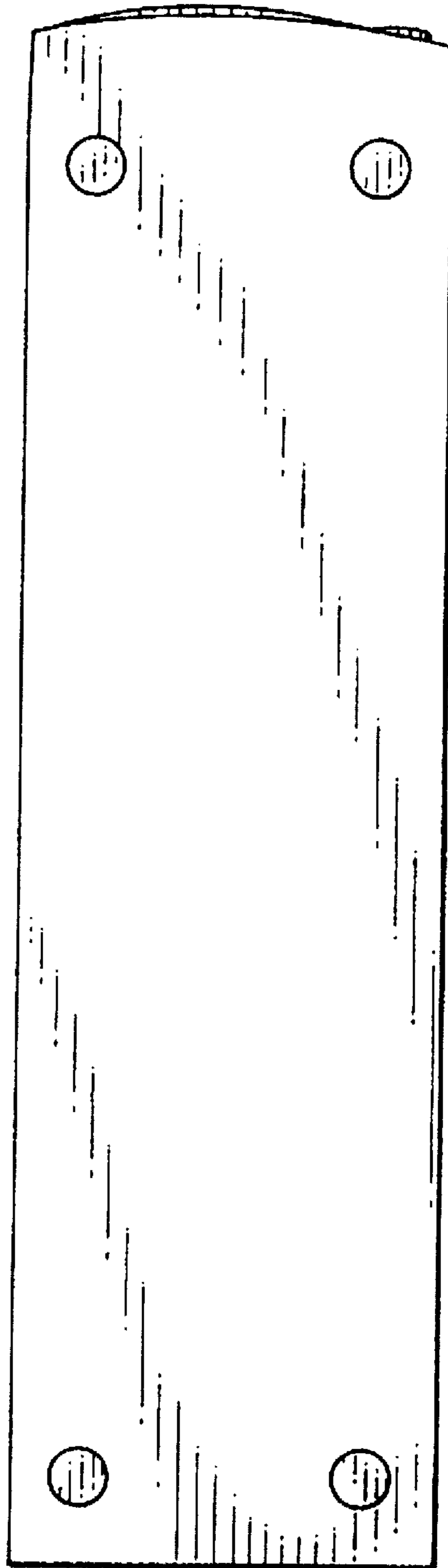


FIG. 6

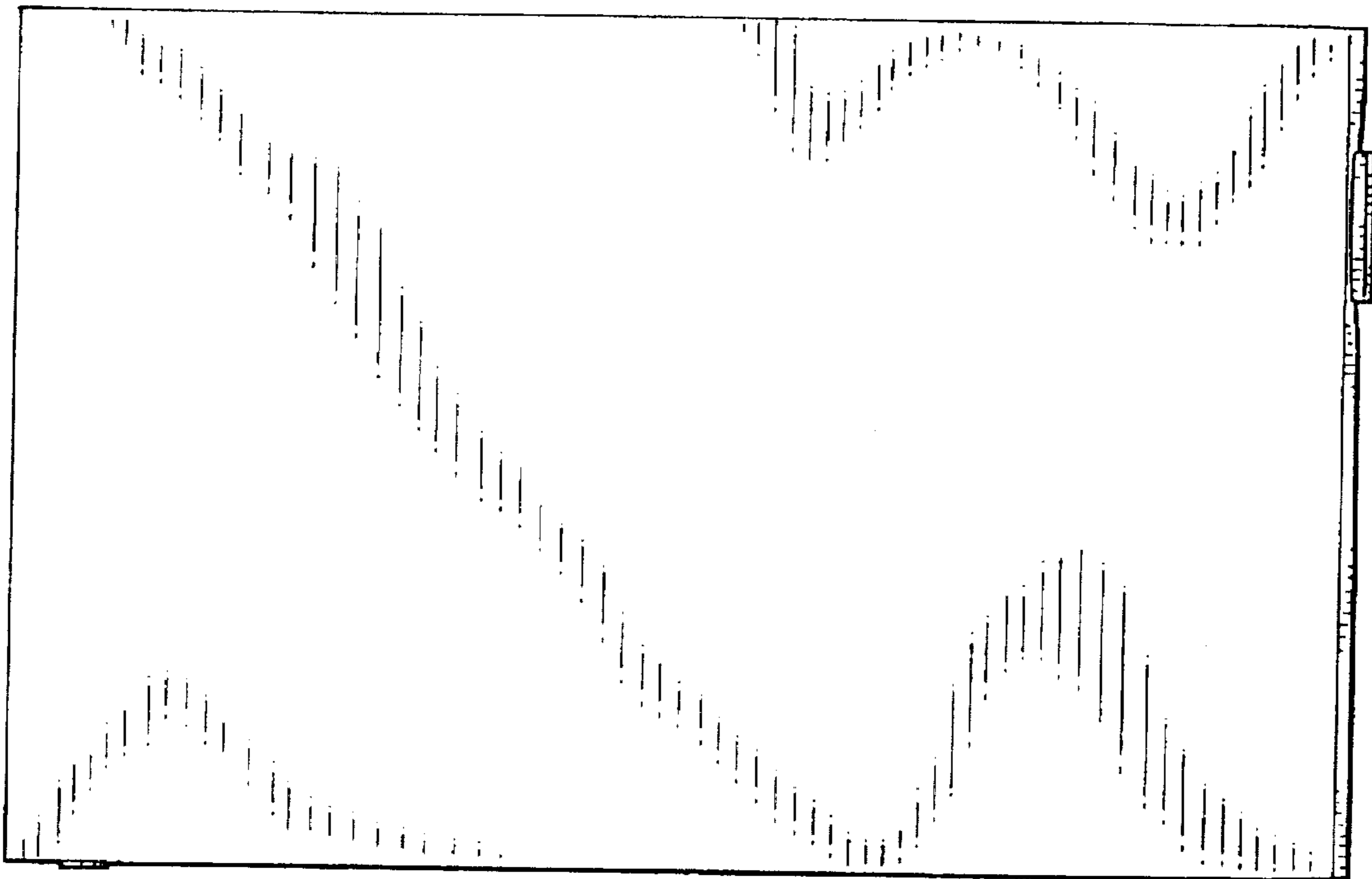


FIG. 7

