



US00D386775S

United States Patent [19]
Shiotani et al.

[11] **Patent Number: Des. 386,775**
[45] **Date of Patent: **Nov. 25, 1997**

[54] **CAMERA**

[75] **Inventors: Yasushi Shiotani, Hayama-machi; Masakazu Taku, Yokohama, both of Japan**

[73] **Assignee: Canon Kabushiki Kaisha, Tokyo**

[**] **Term: 14 Years**

[21] **Appl. No.: 56,201**

[22] **Filed: Jun. 25, 1996**

[30] **Foreign Application Priority Data**

Dec. 27, 1995 [JP] Japan 7-39365

[51] **LOC (6) Cl. 16-01**

[52] **U.S. Cl. D16/218; D16/217**

[58] **Field of Search D16/200-205, D16/208, 209, 216-218; 396/535-543**

[56] **References Cited**

U.S. PATENT DOCUMENTS

D. 338,330 8/1993 Kohno et al. D16/204

D. 344,743 3/1994 Fukushima et al. D16/209
D. 356,809 3/1995 Suyama et al. D16/209
D. 369,372 4/1996 Ishikawa et al. D16/218
D. 373,130 8/1996 Jin D16/218
5,258,793 11/1993 Tsuji et al. 396/536

Primary Examiner—Philip S. Hyder
Assistant Examiner—Adir Aronovich
Attorney, Agent, or Firm—Fitzpatrick, Cella, Harper & Scinto

[57] **CLAIM**

The ornamental design for a camera, as shown and described.

DESCRIPTION

FIG. 1 is a front view of a camera showing our new design;
FIG. 2 is a rear view thereof;
FIG. 3 is a top plan view thereof;
FIG. 4 is a bottom plan view thereof;
FIG. 5 is a left side view thereof;
FIG. 6 is a right side view thereof; and,
FIG. 7 is a perspective view thereof.

1 Claim, 3 Drawing Sheets

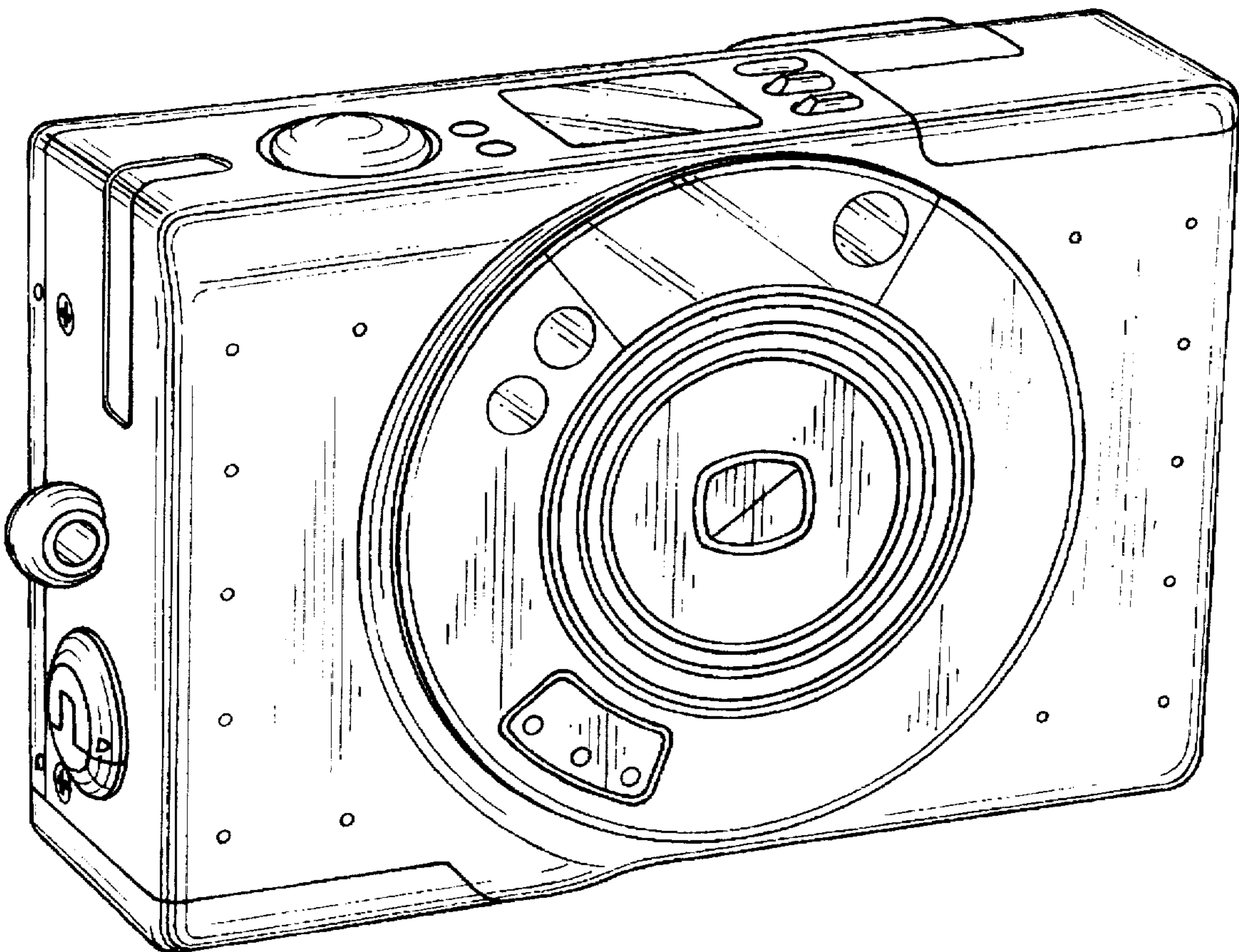


FIG. 1

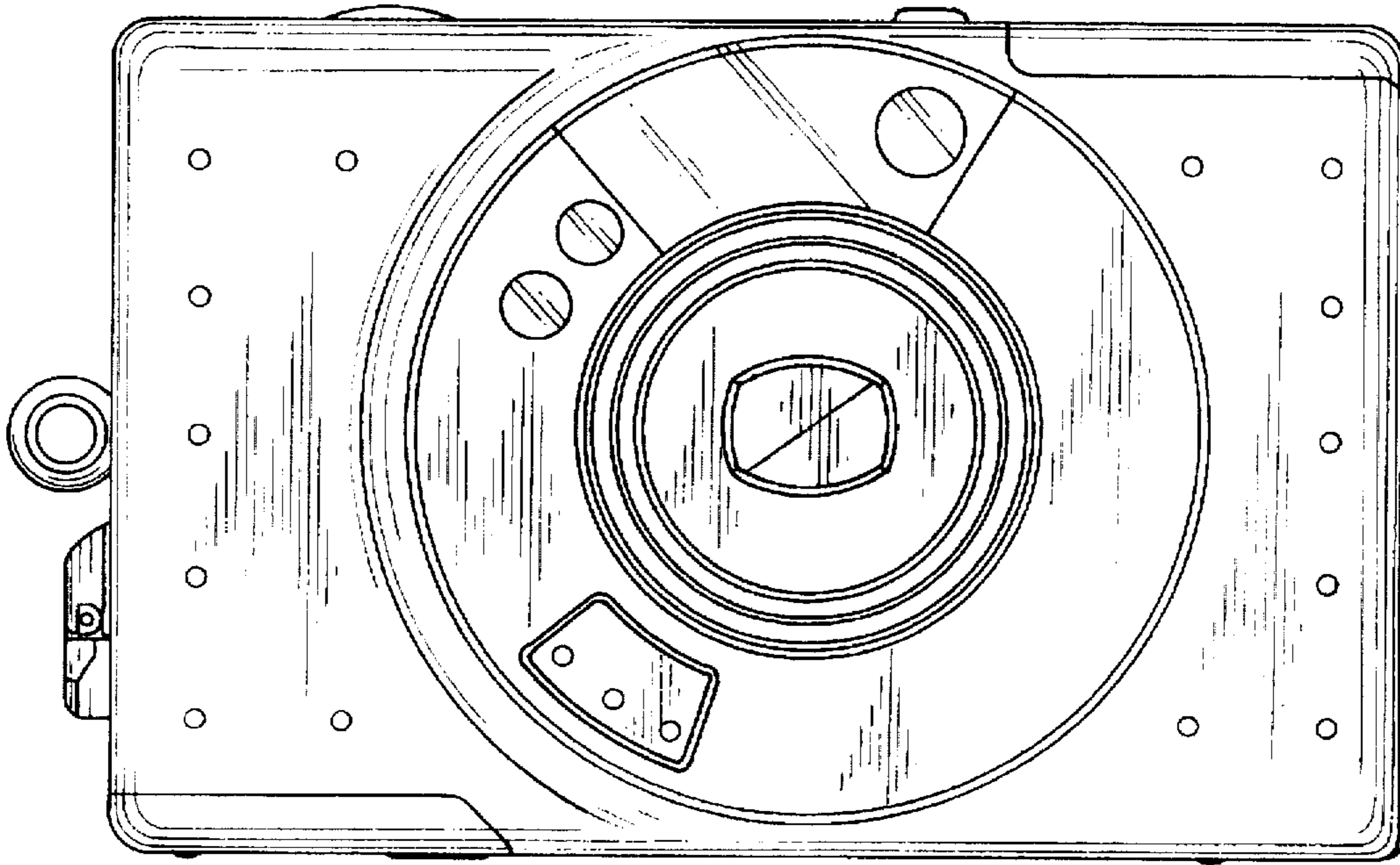


FIG. 2

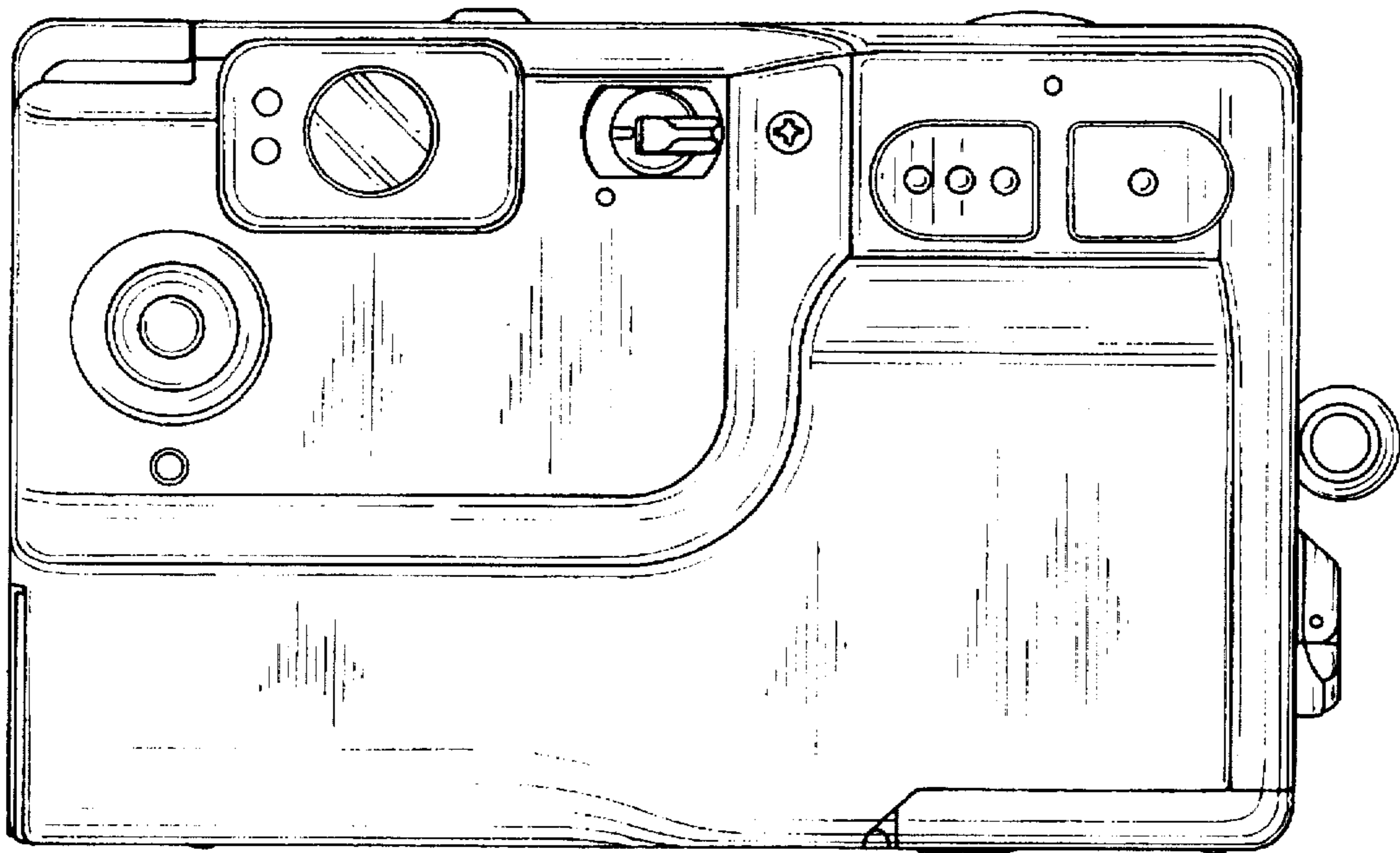


FIG. 3

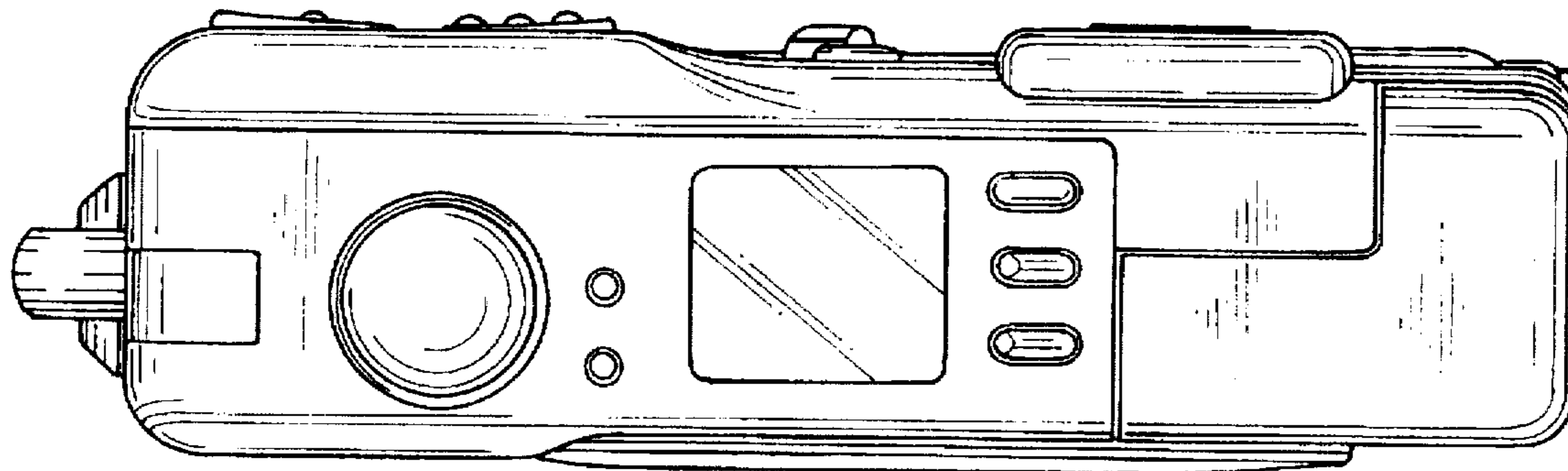


FIG. 4

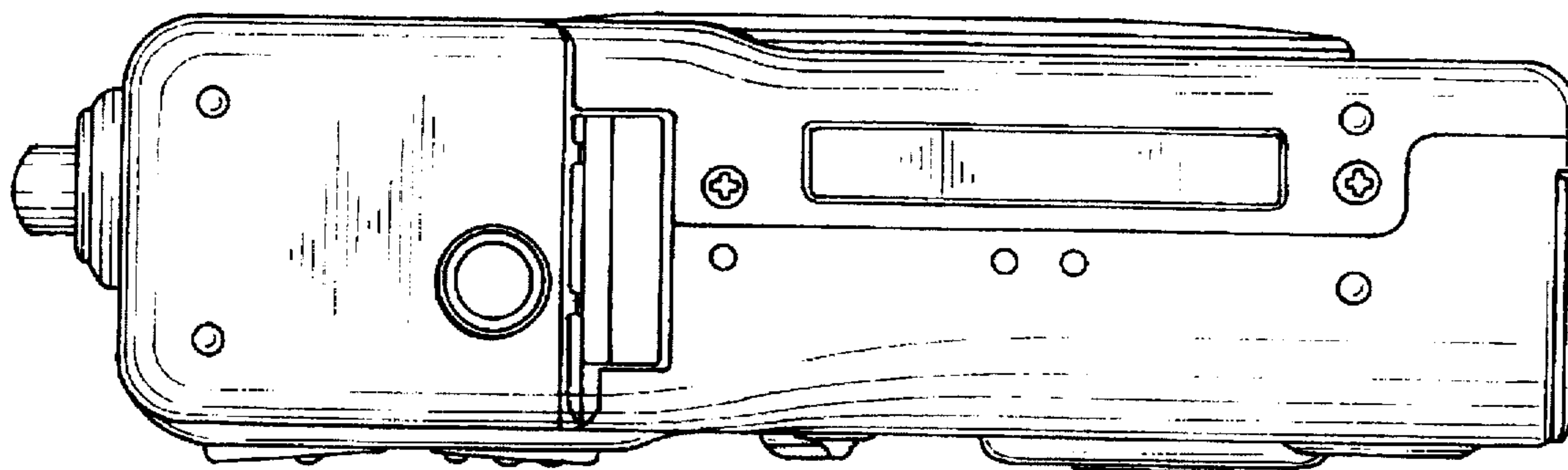


FIG. 5

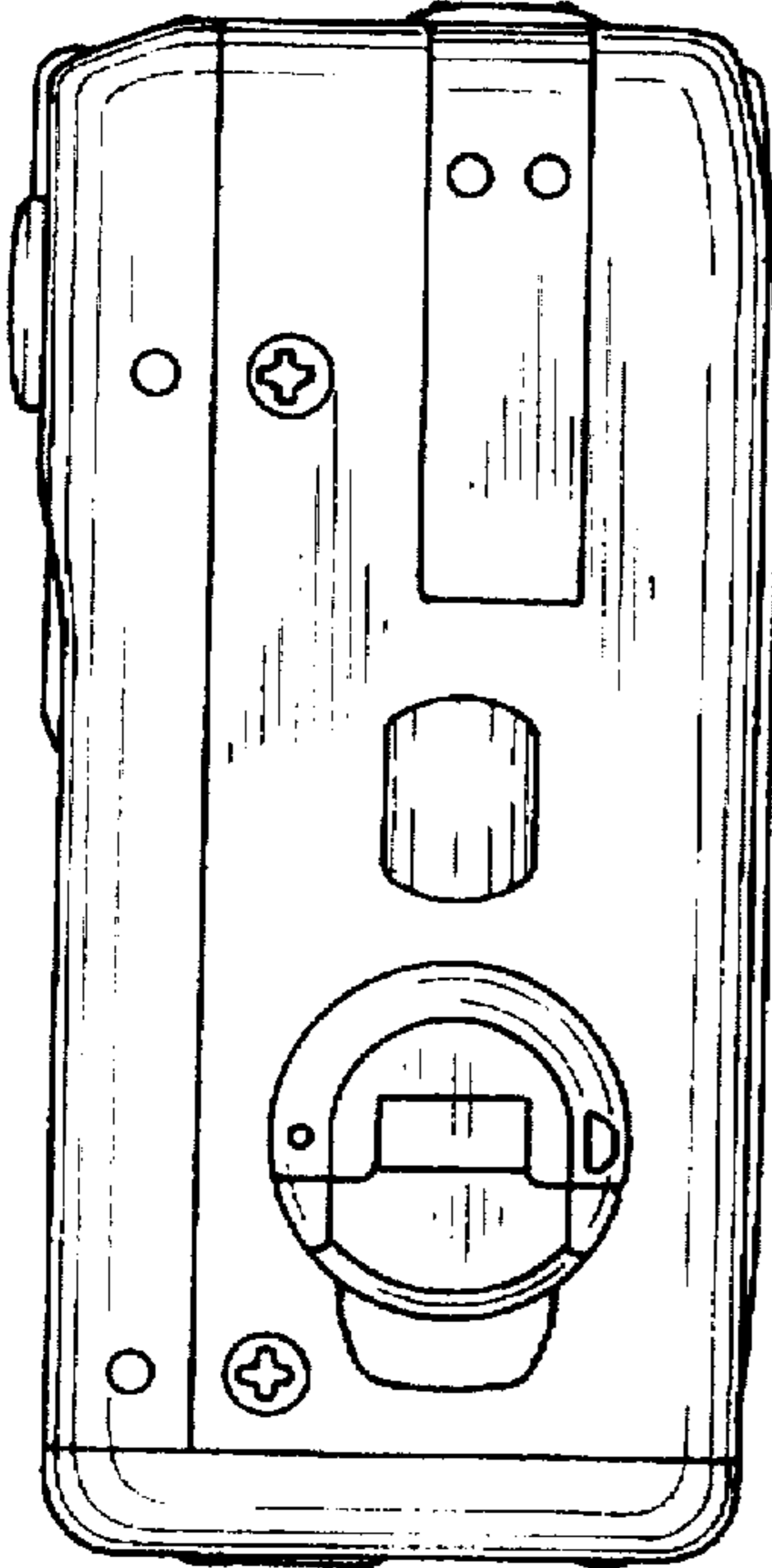


FIG. 6

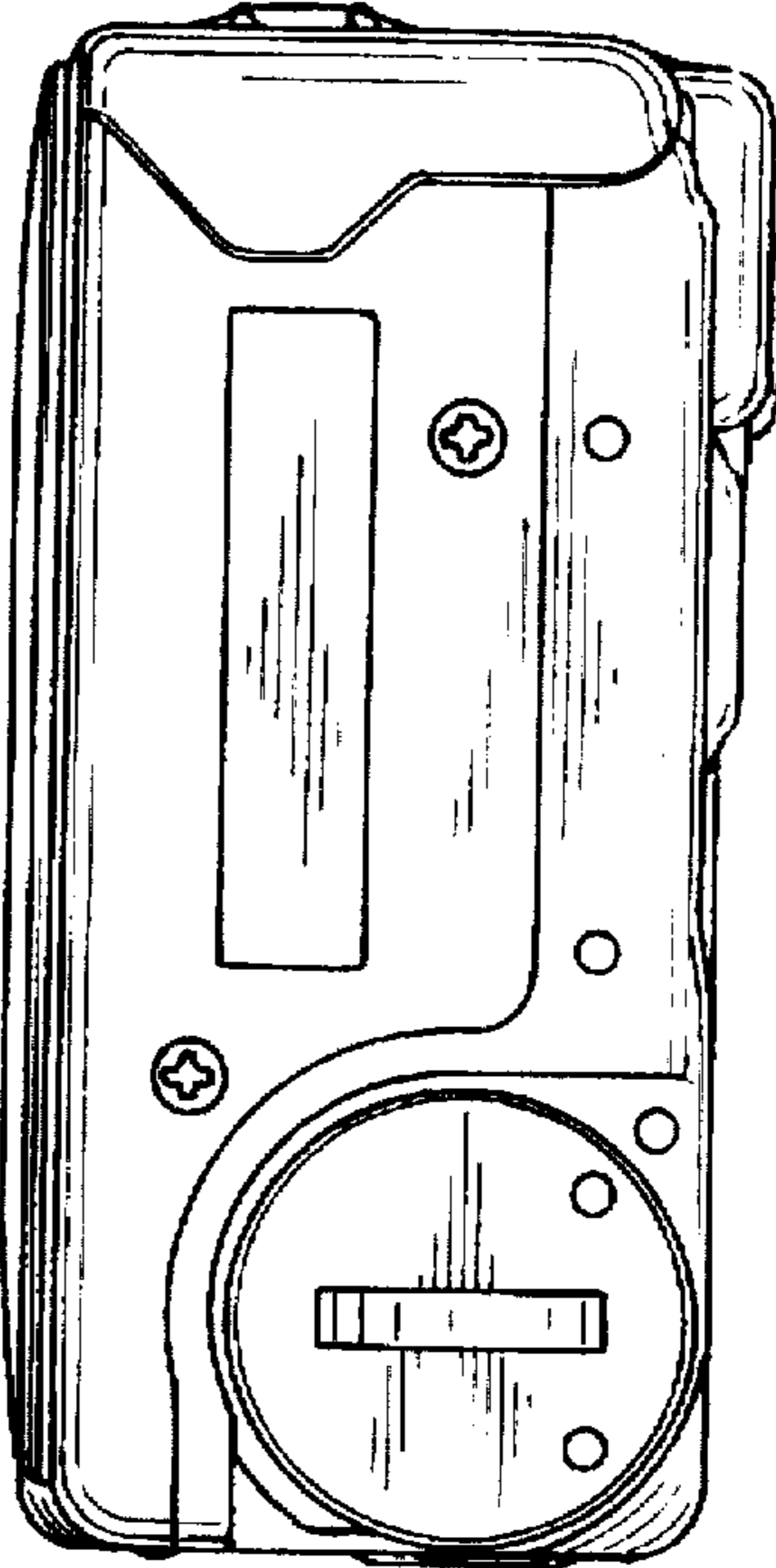


FIG. 7

