



US00D386772S

United States Patent [19]

Kataoka

[11] Patent Number: **Des. 386,772**

[45] Date of Patent: ****Nov. 25, 1997**

[54] **COMBINED VIDEO TAPE RECORDER AND CAMERA**

[75] Inventor: **Tetsu Kataoka**, Tokyo, Japan

[73] Assignee: **Sony Corporation**, Tokyo, Japan

[**] Term: **14 Years**

[21] Appl. No.: **60,243**

[22] Filed: **Sep. 25, 1996**

Related U.S. Application Data

[63] Continuation-in-part of Ser. No. 36,697, Mar. 24, 1995, Pat. No. Des. 374,880.

[51] **LOC (6) Cl.** **16-01**

[52] **U.S. Cl.** **D16/202**

[58] **Field of Search** **D16/200-208;**
348/376; 358/906, 909.1; 396/29, 190,
429; H04N 5/225

[56] References Cited

U.S. PATENT DOCUMENTS

D. 352,729 11/1994 Tsujimura et al. D16/202

D. 356,097 3/1995 Sakata et al. D16/202
D. 366,269 1/1996 Ohi et al. D16/202
5,442,453 8/1995 Takagi et al. 348/374

OTHER PUBLICATIONS

Camcorder, Dec. 1993 p. 124 (VL-E30U ViewCam).

Primary Examiner—Philip S. Hyder
Assistant Examiner—Adir Aronovich
Attorney, Agent, or Firm—Foley & Lardner

[57] CLAIM

The ornamental design for a combined video tape recorder and camera, as shown and described.

DESCRIPTION

FIG. 1 is a top, front perspective view of a combined video tape recorder and camera showing my new design;
FIG. 2 is a top plan view thereof;
FIG. 3 is a front elevational view thereof;
FIG. 4 is a bottom plan view thereof;
FIG. 5 is a right side elevational view thereof;
FIG. 6 is a rear elevational view thereof; and,
FIG. 7 is a left side elevational view thereof.

1 Claim, 3 Drawing Sheets

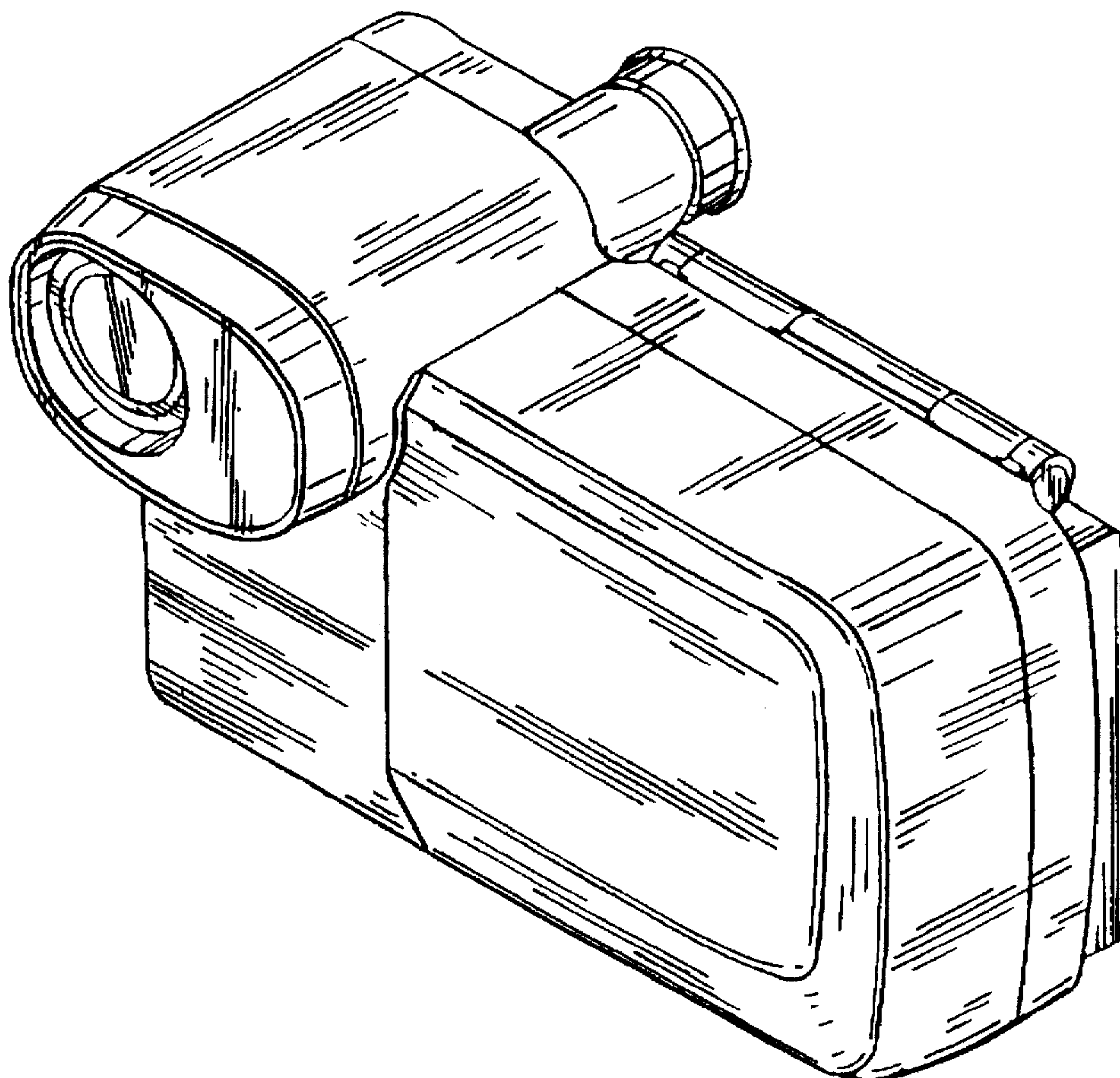


FIG. 1

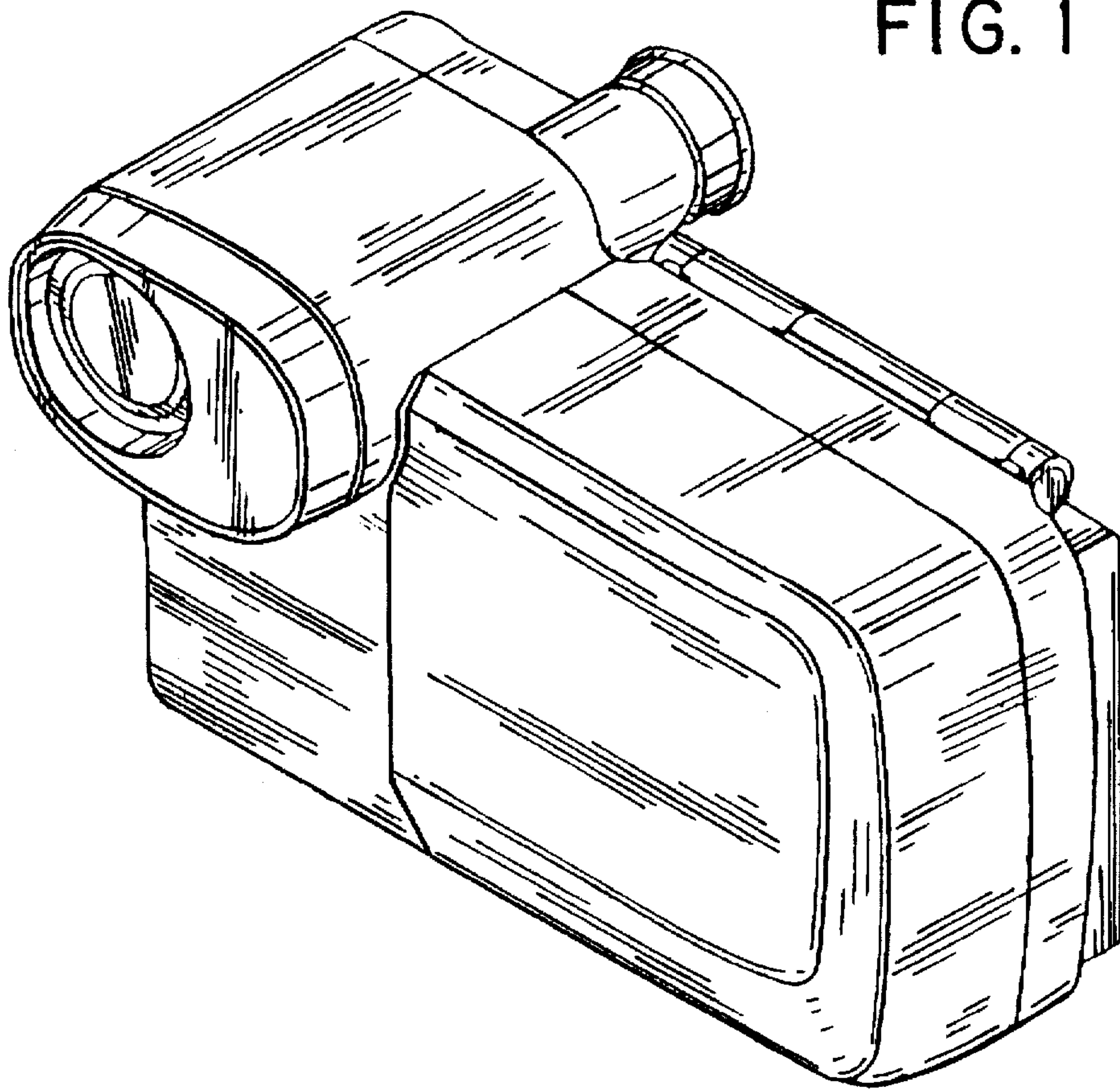


FIG. 2

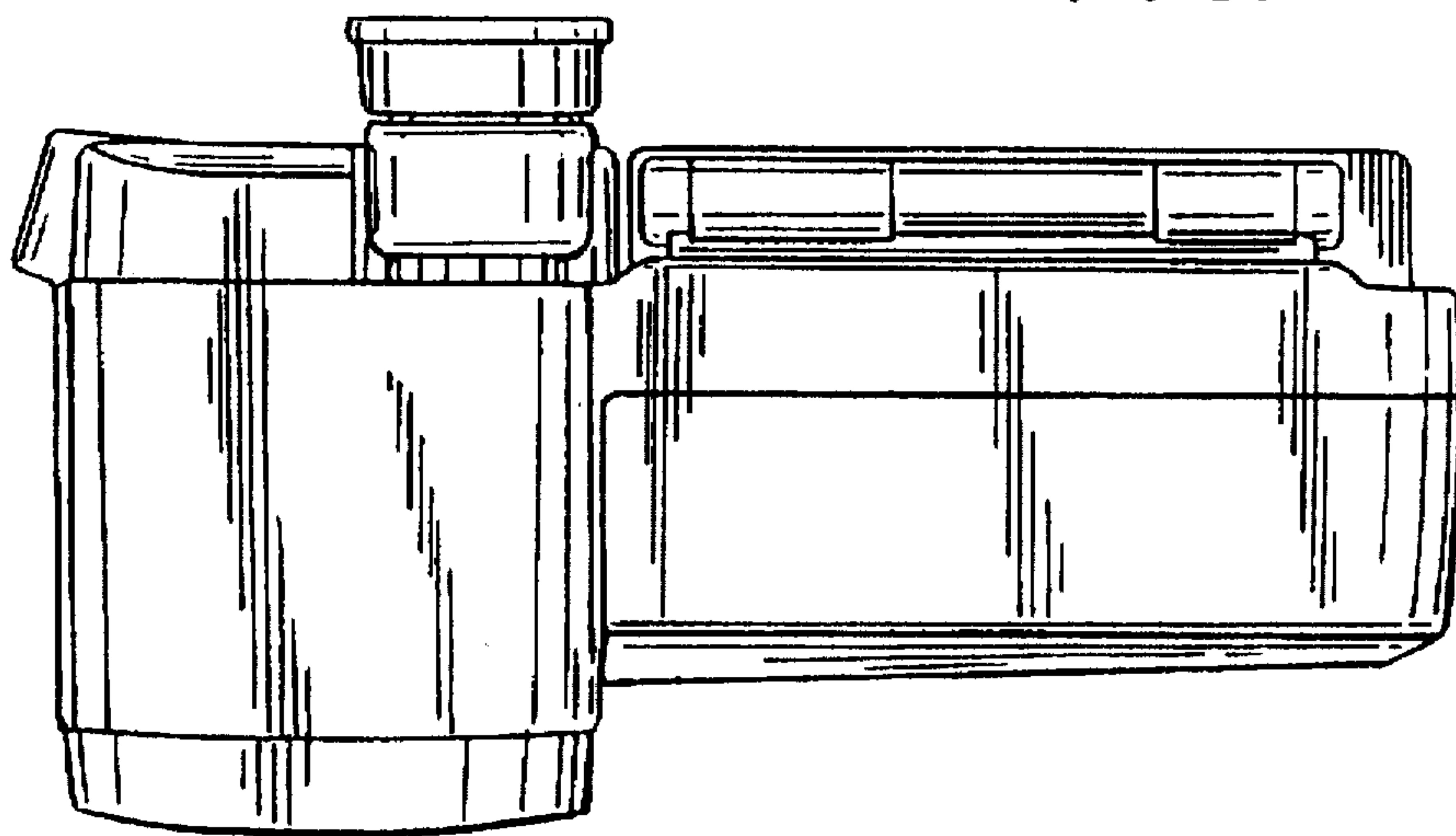


FIG. 3

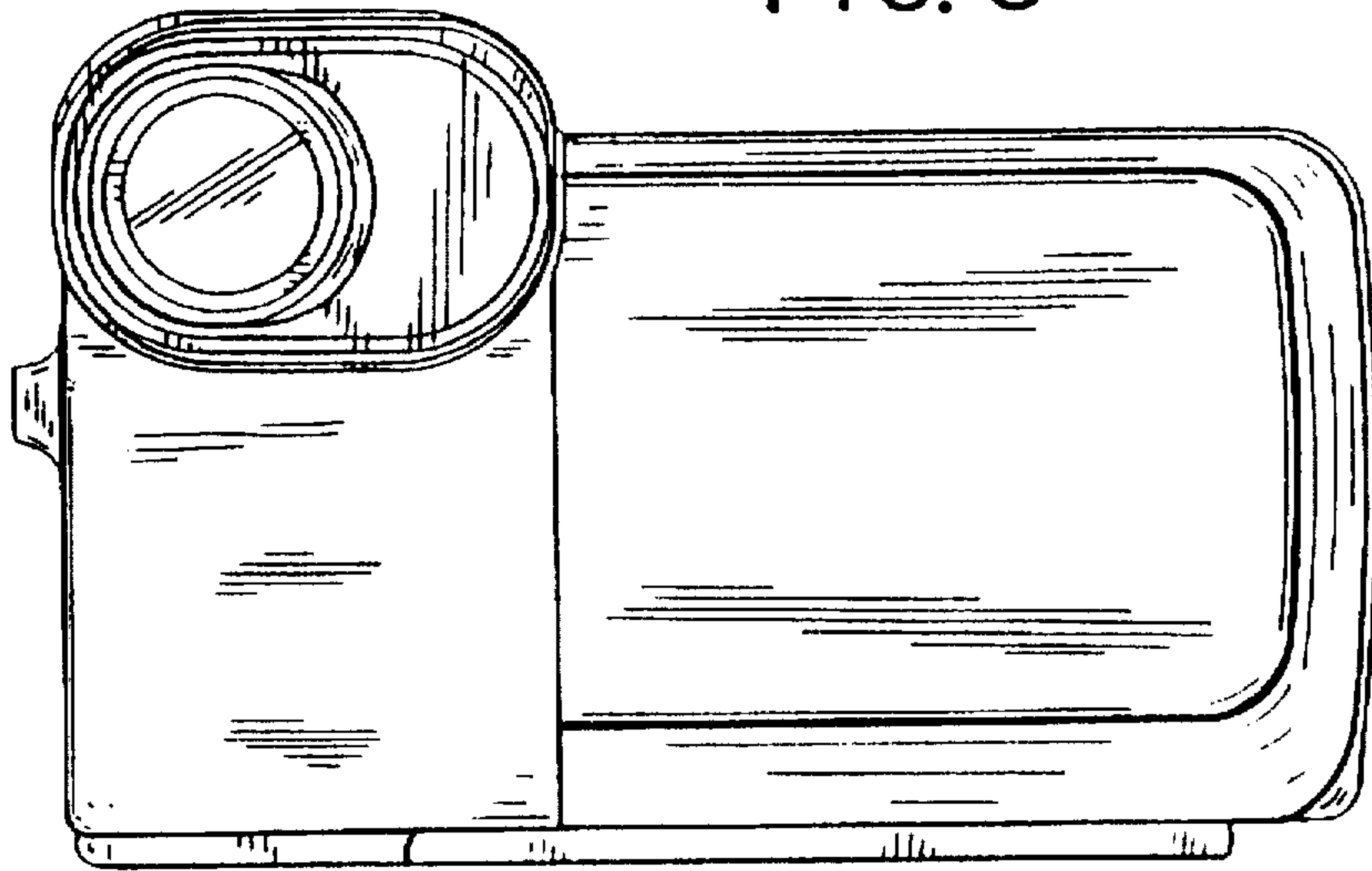


FIG. 4

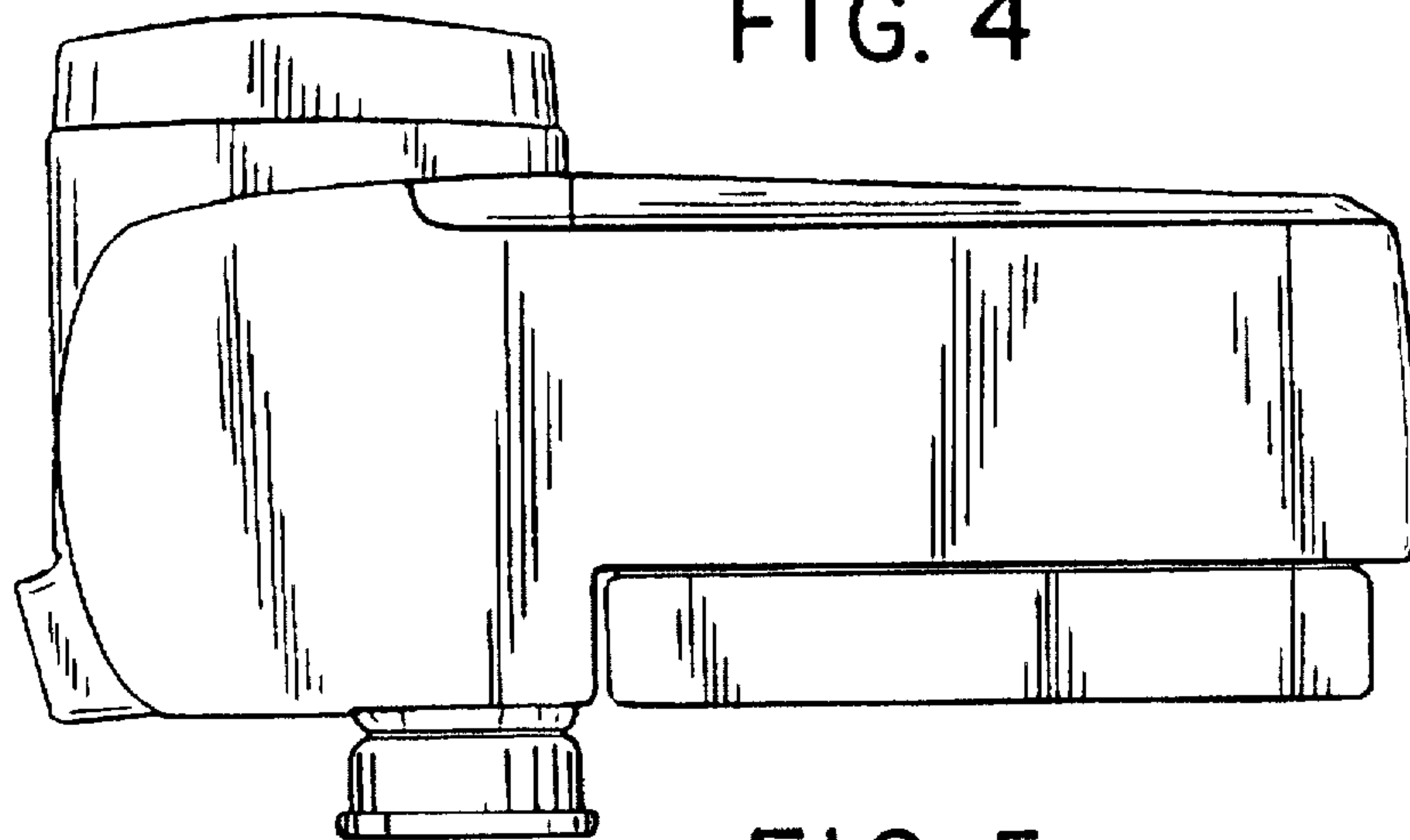
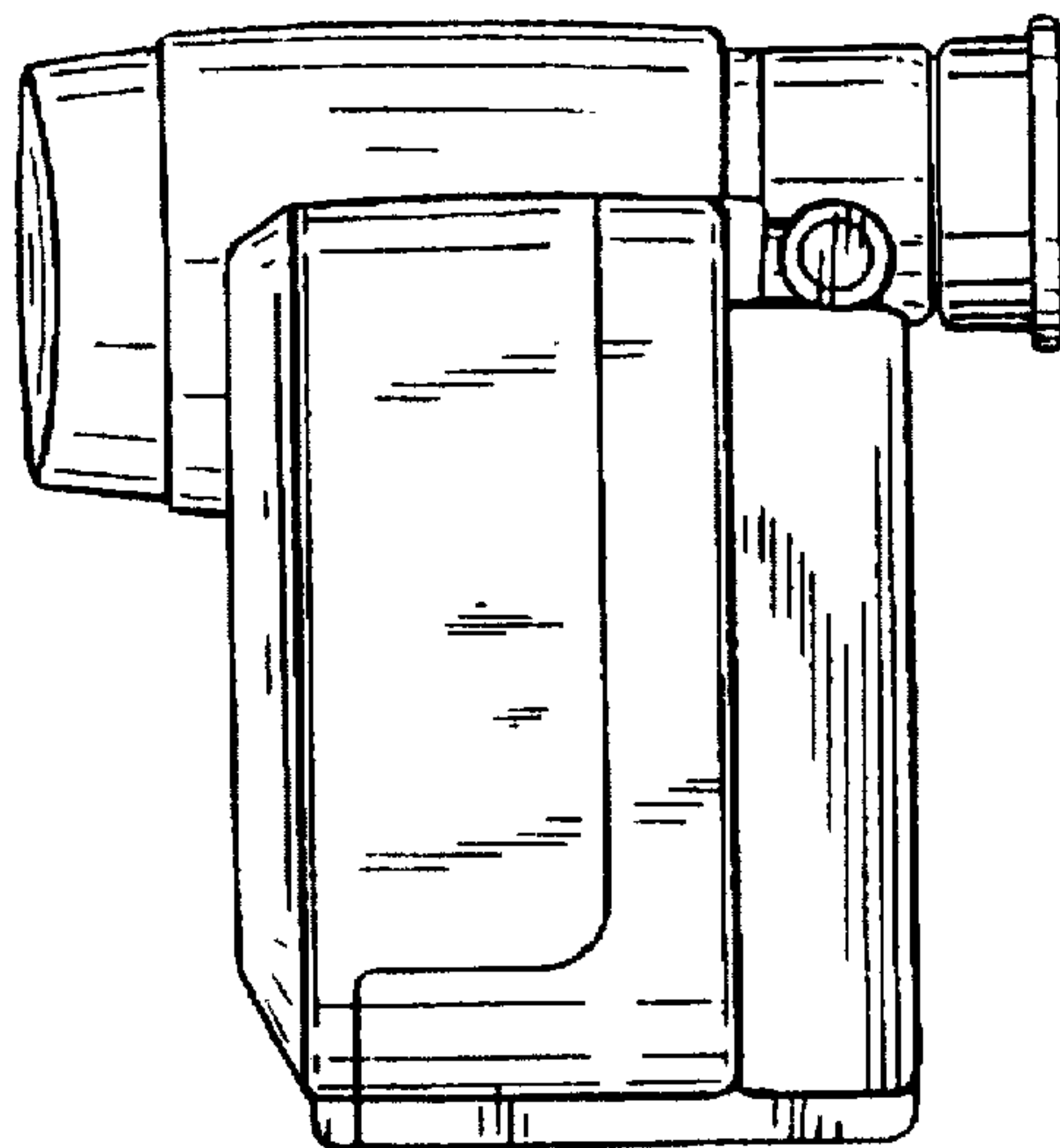


FIG. 5



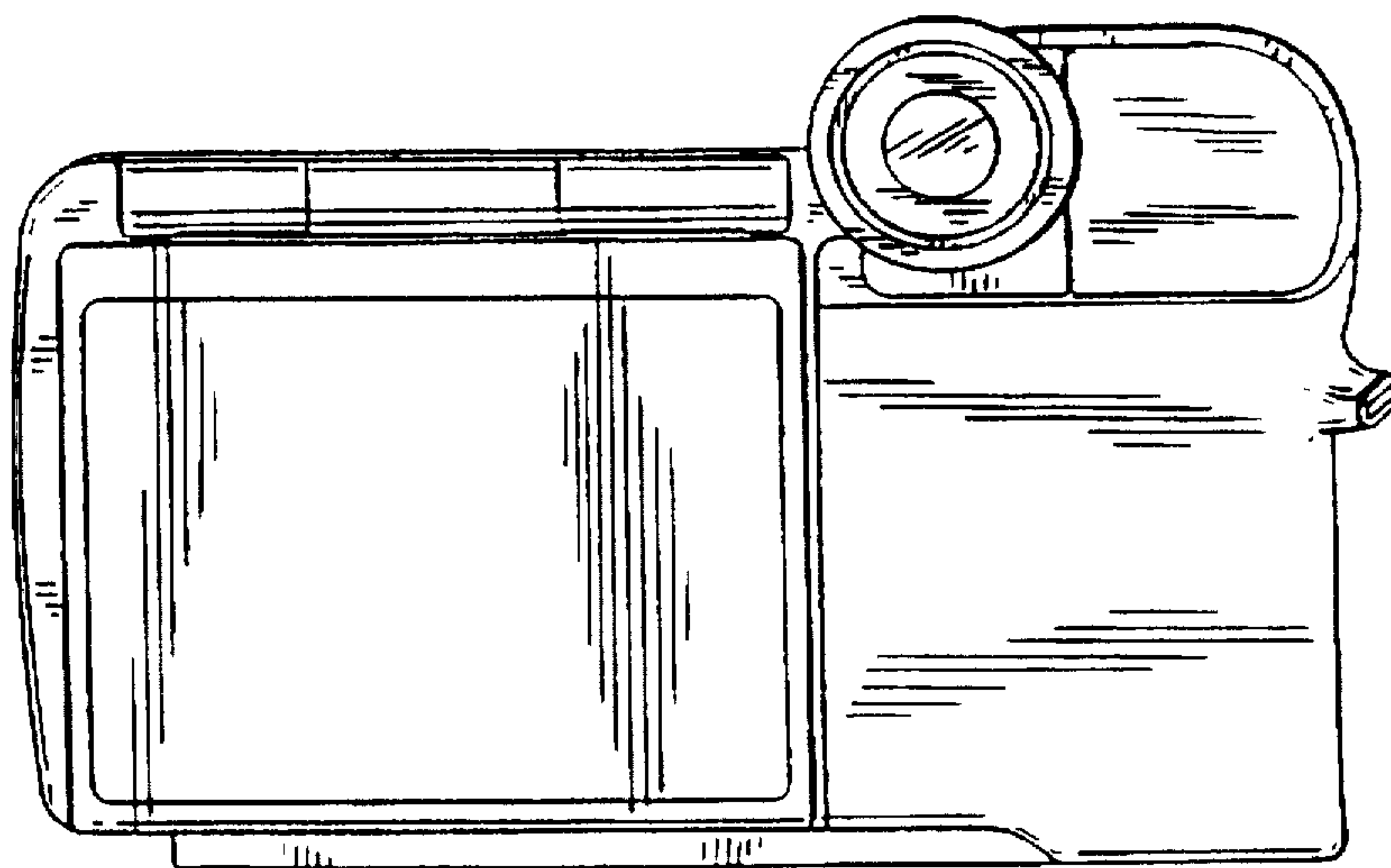


FIG. 6

FIG. 7

