



US00D386769S

**United States Patent** [19]  
**Gibbons**

[11] **Patent Number: Des. 386,769**  
[45] **Date of Patent: \*\*Nov. 25, 1997**

[54] **COMBINED TRACTOR AND TRUCK VEHICLE**

5,435,627 7/1995 Fleming ..... 298/17 R  
5,496,145 3/1996 Monin ..... 414/24.5

[76] Inventor: **Robert A. Gibbons**, 75 Converse Rd.,  
Marion, Mass. 02738

*Primary Examiner—Sandra L. Morris*  
*Attorney, Agent, or Firm—Iandiorio & Teska*

[\*\*] Term: **14 Years**

[57] **CLAIM**

[21] Appl. No.: **50,237**

The ornamental design for the combined tractor and truck vehicle, as shown and described.

[22] Filed: **Feb. 12, 1996**

**DESCRIPTION**

[51] **LOC (6) Cl.** ..... **15-03**

[52] **U.S. Cl.** ..... **D15/23; D12/98**

[58] **Field of Search** ..... **D12/96, 98, 99;**  
**D15/10, 22-26; 180/89.1, 89.12, 900; 298/17 T,**  
**17 R, 21 R; 414/24.5**

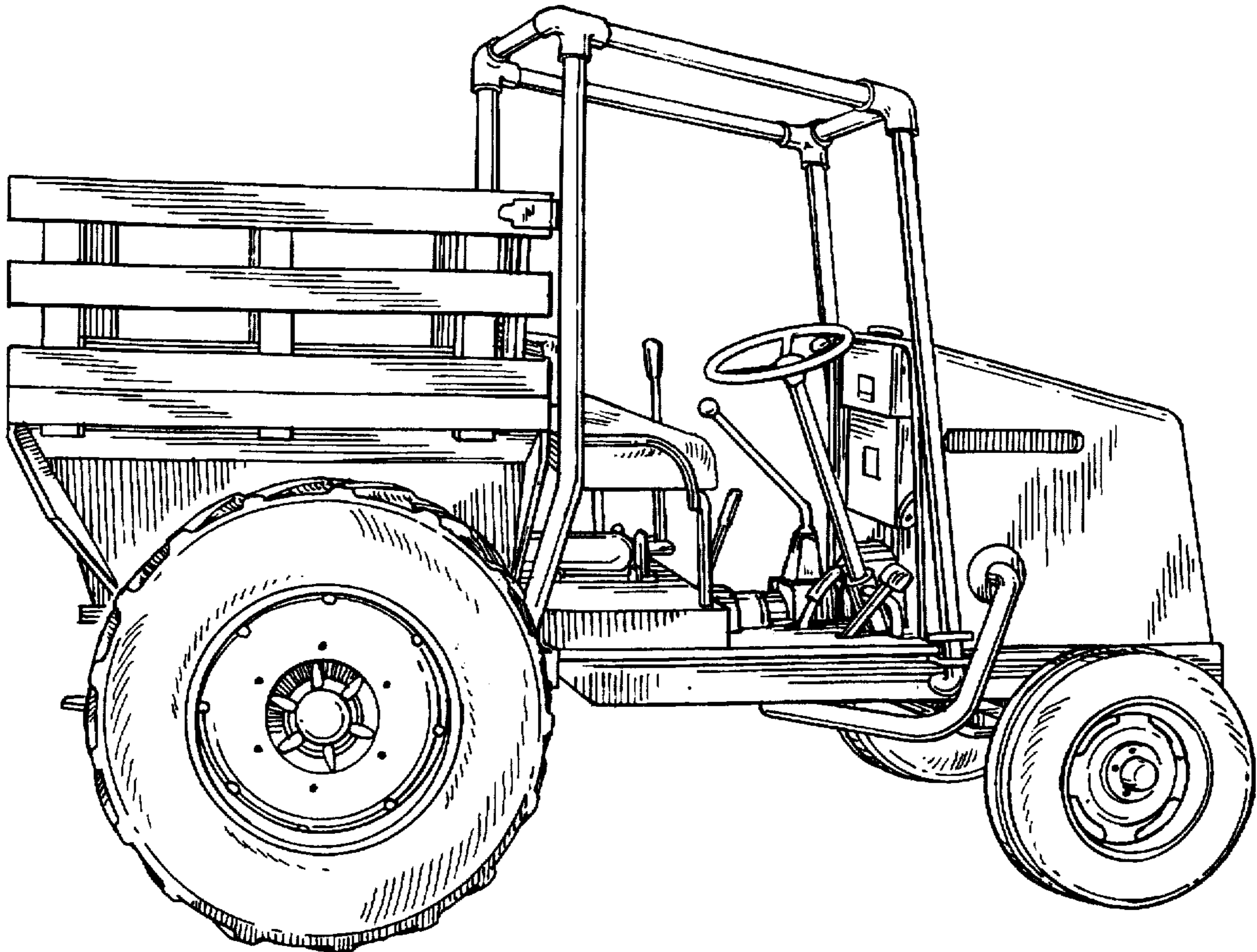
FIG. 1 is a front perspective view of the combined tractor and truck vehicle, showing my new design;  
FIG. 2 is a right side perspective view thereof;  
FIG. 3 is a right, top side perspective view thereof with the dumping bed activated;  
FIG. 4 is a rear perspective view of FIG. 3;  
FIG. 5 is a left side perspective view thereof;  
FIG. 6 is a top plan view thereof; and,  
FIG. 7 is a bottom plan view thereof.

[56] **References Cited**

**U.S. PATENT DOCUMENTS**

2,550,230 4/1951 Dalton ..... 298/17 R  
2,801,130 6/1957 Booker ..... D12/98  
5,383,714 1/1995 Hunter ..... 298/17 R

**1 Claim, 7 Drawing Sheets**



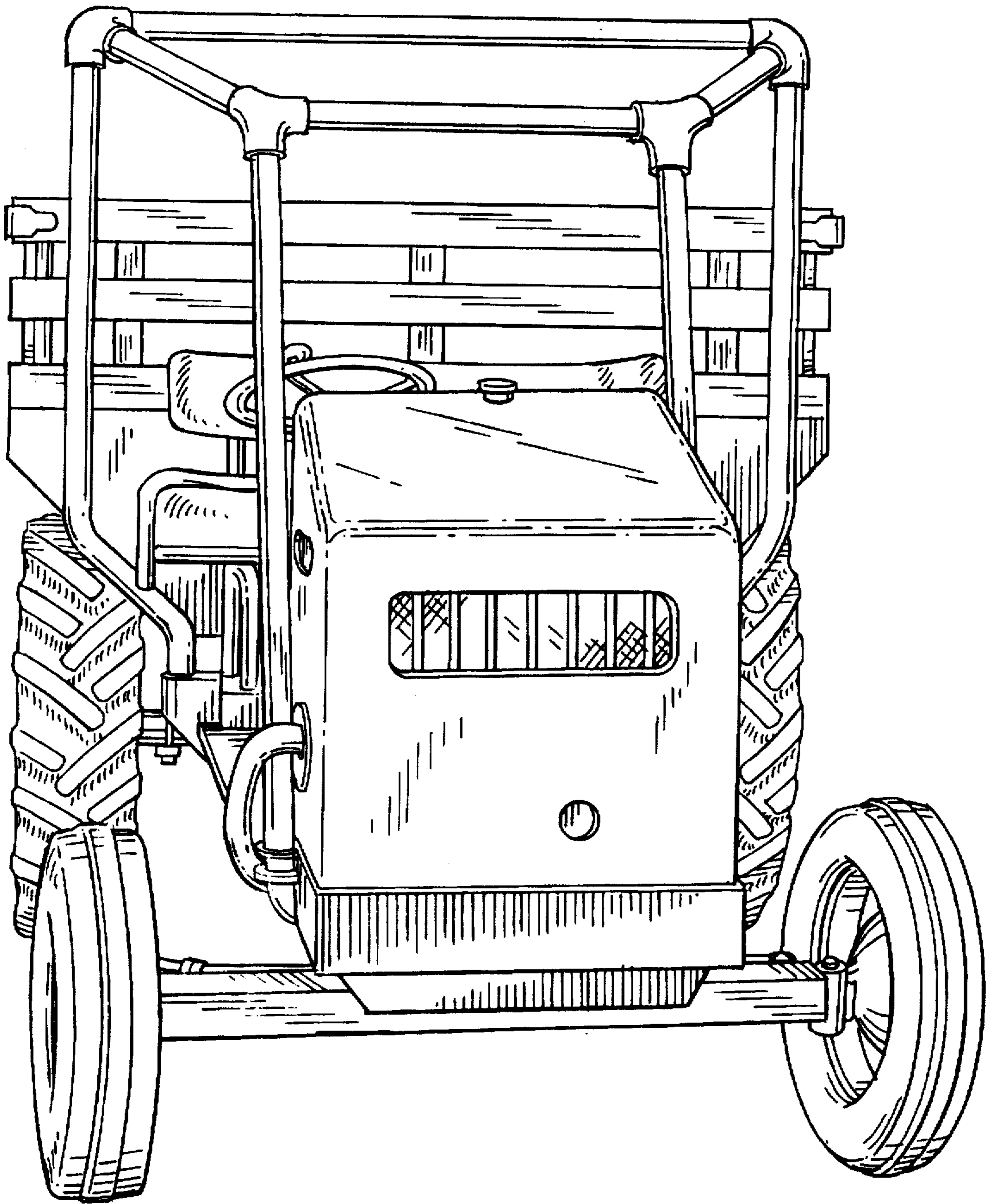


FIG. 1

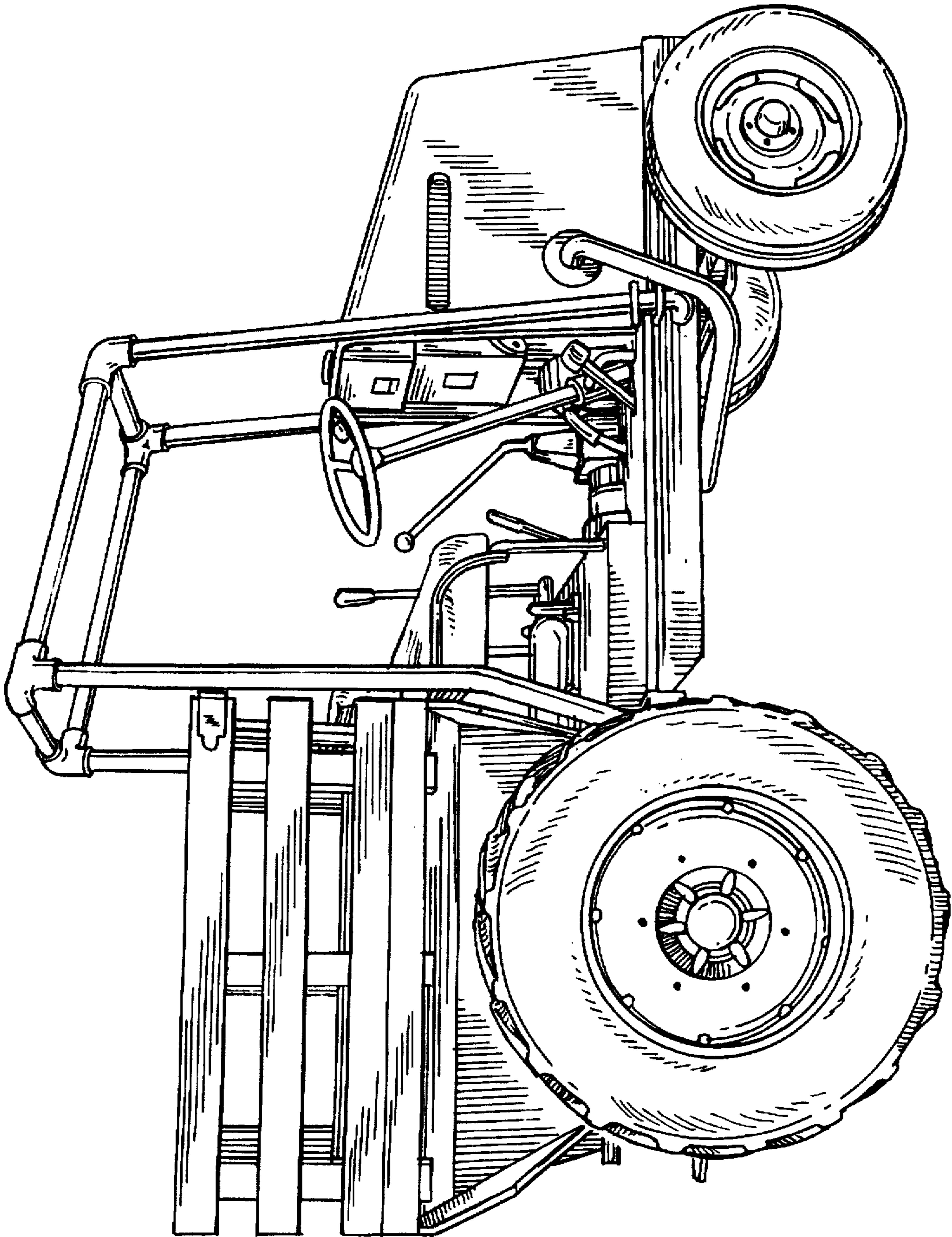


FIG. 2

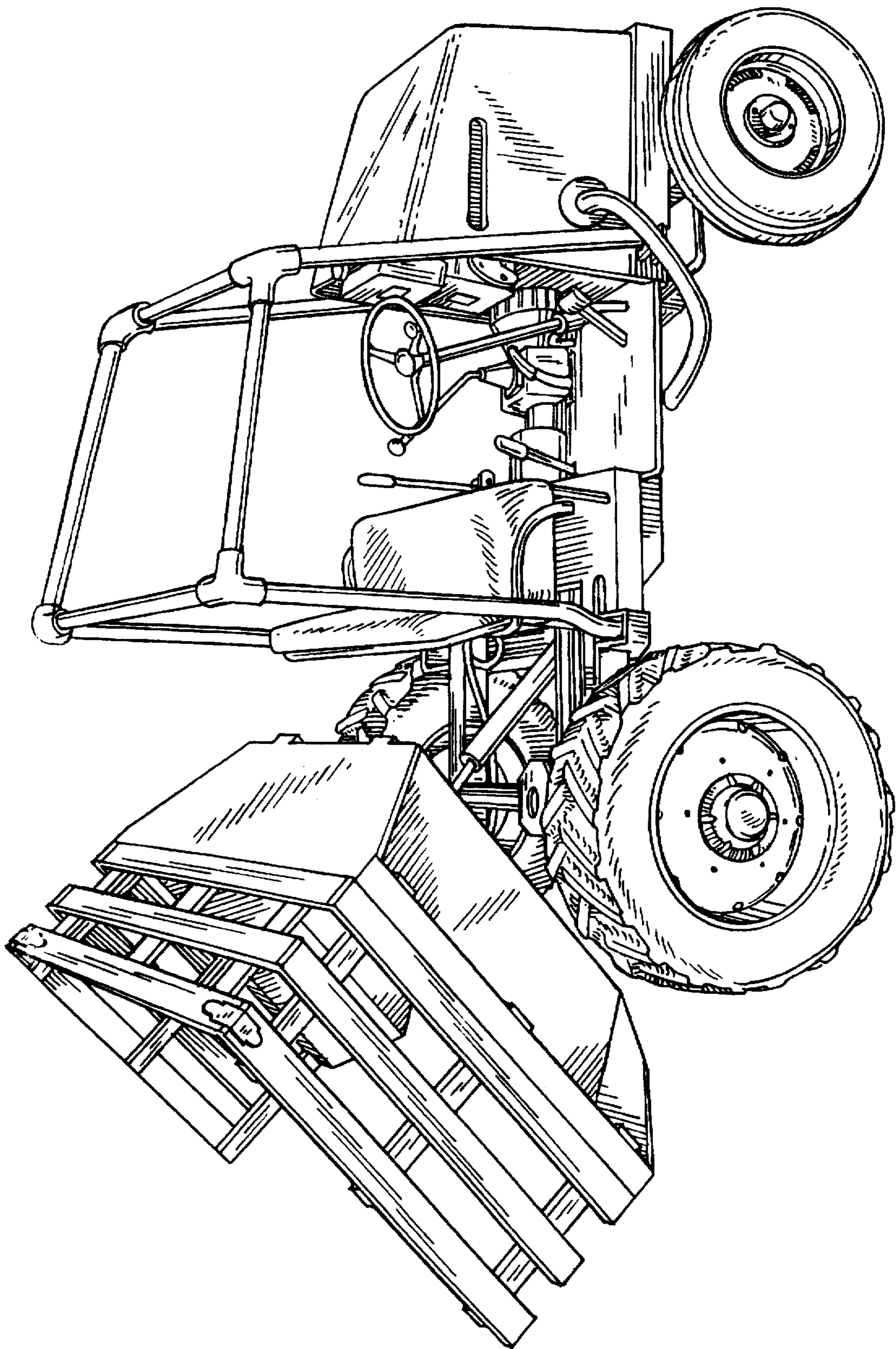


FIG. 3

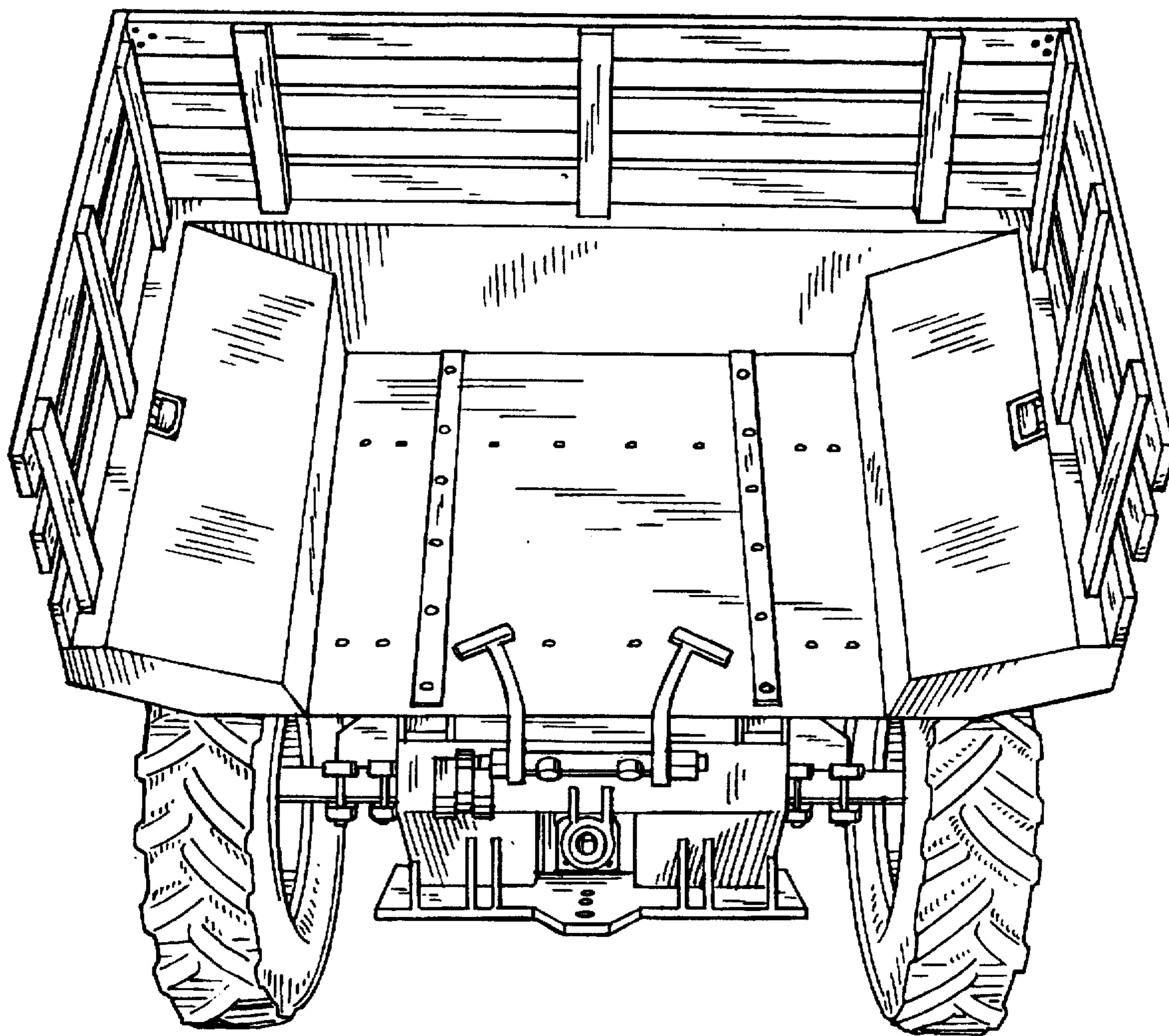


FIG. 4

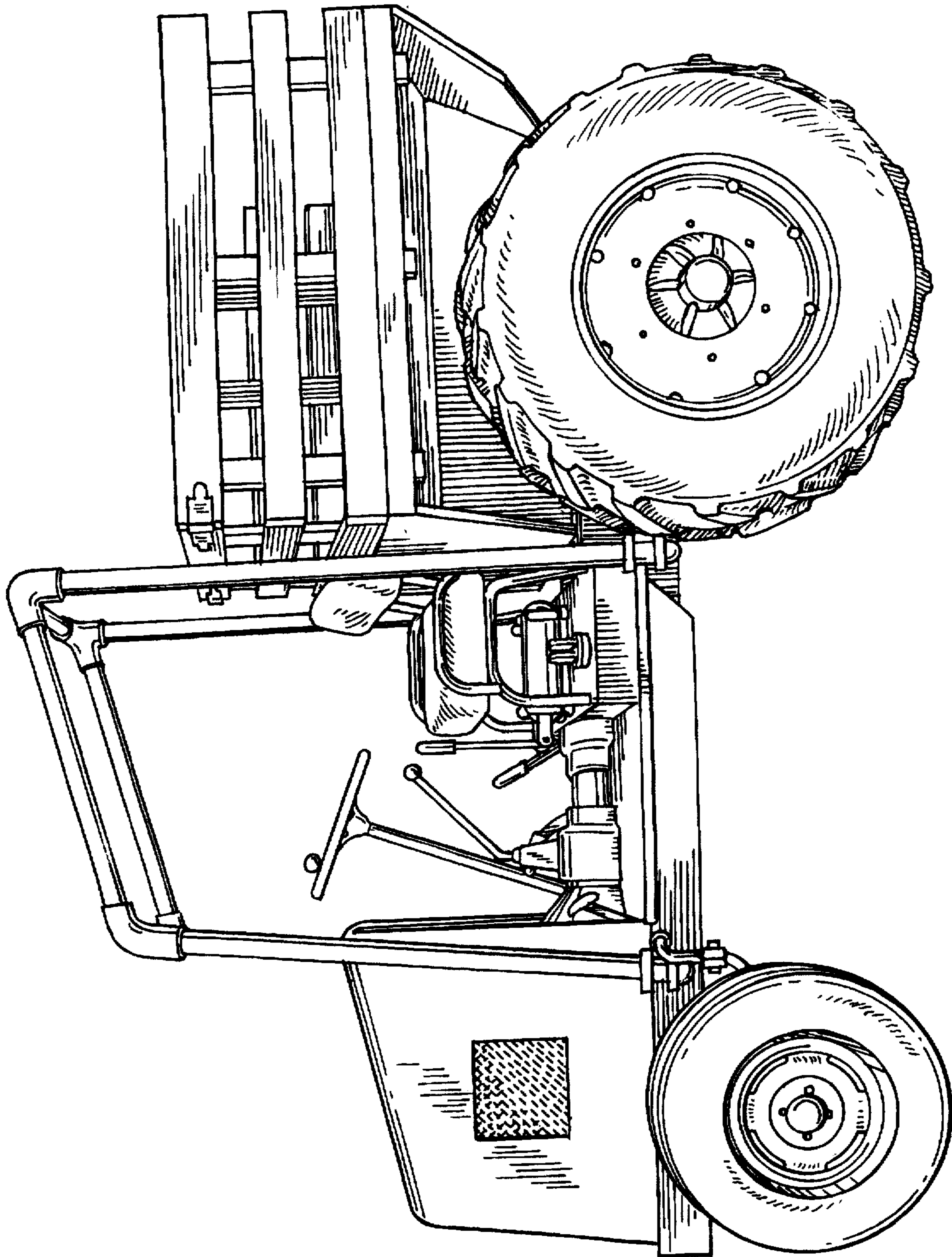


FIG. 5

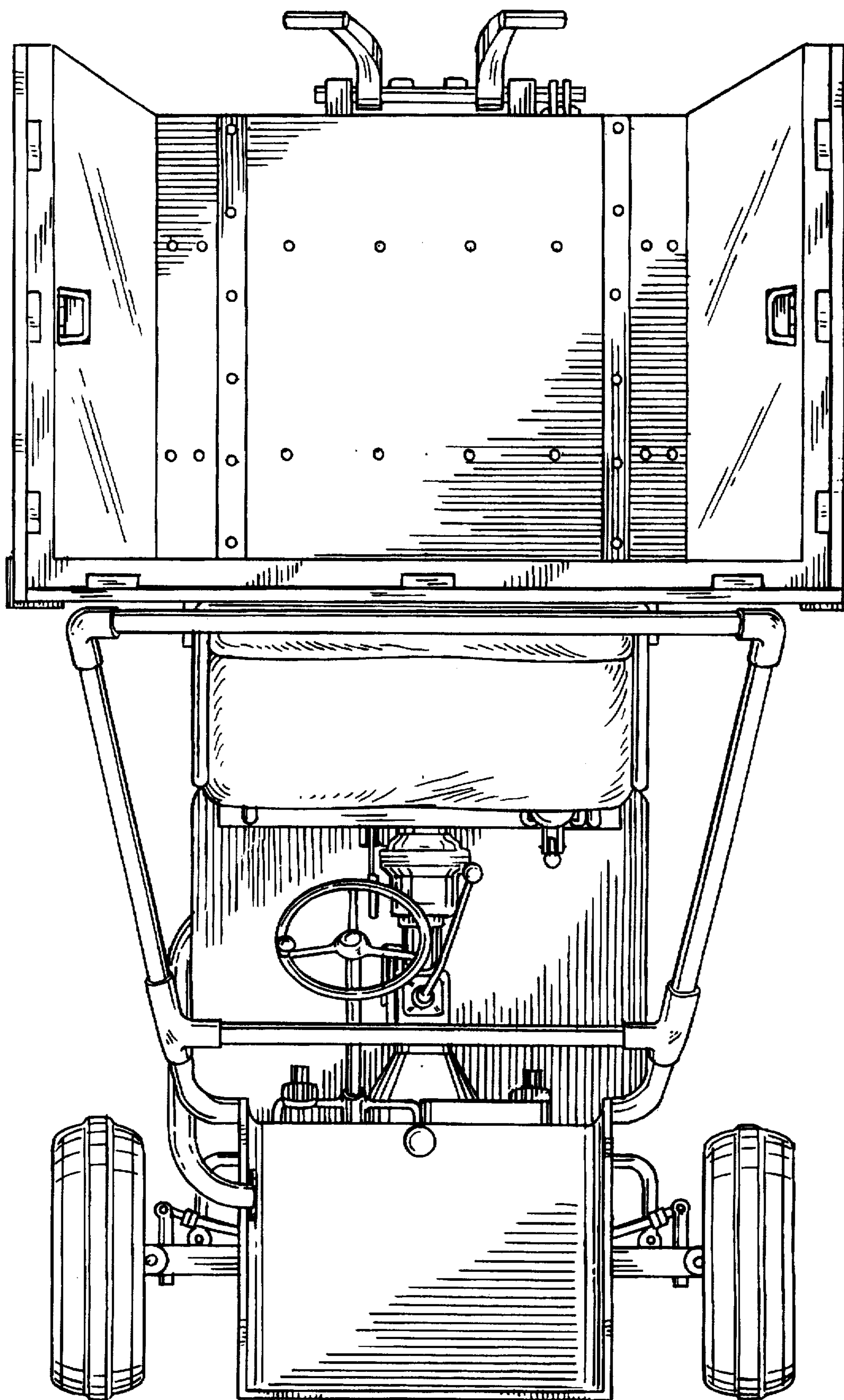


FIG. 6

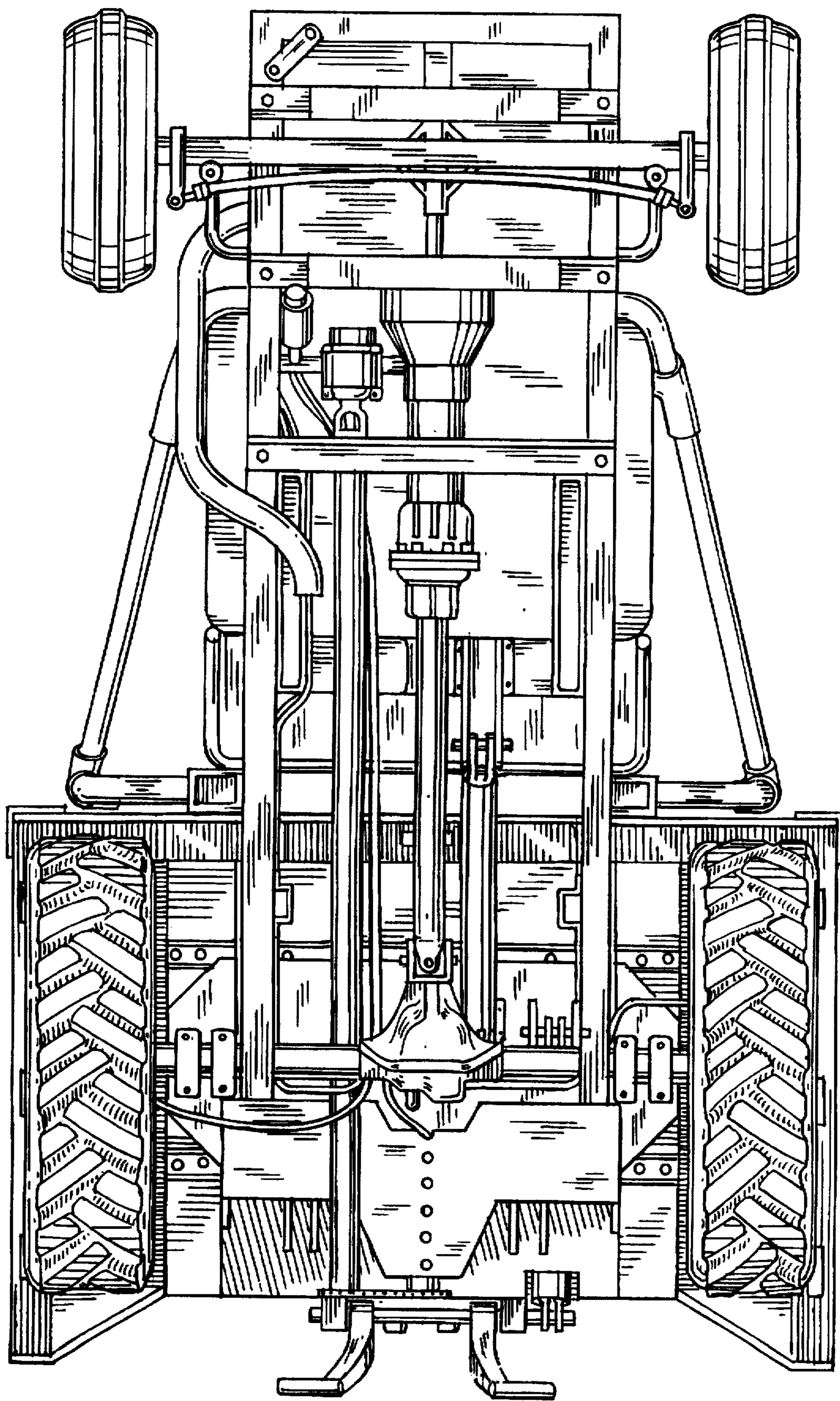


FIG. 7