



US00D386768S

# United States Patent [19]

[11] Patent Number: **Des. 386,768**

Rubin et al.

[45] Date of Patent: **\*\*Nov. 25, 1997**

[54] **BRUSH CUTTER**

[75] Inventors: **Robert M. Rubin**, Lenexa, Kans.;  
**Gerald K. Lauer**, Kansas City;  
**Holland A. Mertell**, Independence,  
both of Mo.

[73] Assignee: **Billy Goat Industries, Inc.**, Lee's  
Summit, Mo.

[\*\*] Term: **14 Years**

[21] Appl. No.: **38,016**

[22] Filed: **Apr. 26, 1995**

[51] LOC (6) Cl. .... **15-03**

[52] U.S. Cl. .... **D15/12**

[58] Field of Search ..... D15/10-12, 14-17;  
56/11.8, 11.9, 13.4, 16.7, 17.4, 17.5, 202,  
255, 320.1, 320.2

[56] **References Cited**

**U.S. PATENT DOCUMENTS**

4,112,656	9/1978	Ranko et al.	56/320.1
4,787,195	11/1988	Wenzel	56/11.8
5,020,310	6/1991	Oshima et al.	56/320.1
5,251,429	10/1993	Minato et al.	56/17.5
5,355,666	10/1994	McDonner et al.	56/17.4

**OTHER PUBLICATIONS**

Implement & Tractor, Feb. 1991, p. 8 Toro Walk behind  
mower, right.  
Implement & Tractor, Feb. 1991, p. 11 Exmark Turf Tracer,  
top.

Country Home Products advertising mailer on the "Dr. Field  
and Brush Mower", C4502, copyright 1995 CHP, Inc.  
F95-19.

Bachtold Bros., Inc. brochure on "Hi-Wheel Weed & Brush  
Cutters", BMW 994 25M, BA-10M-0194, undated.

Roof Equipment Manufacturing Co. brochure on  
"Heavy-Duty Mowers", undated.

*Primary Examiner*—Sandra L. Morris  
*Attorney, Agent, or Firm*—Hovey, Williams, Timmons &  
Collins

[57] **CLAIM**

The ornamental design for a brush cutter, as shown and  
described.

**DESCRIPTION**

FIG. 1 is a front perspective view of a brush cutter showing  
our new design;

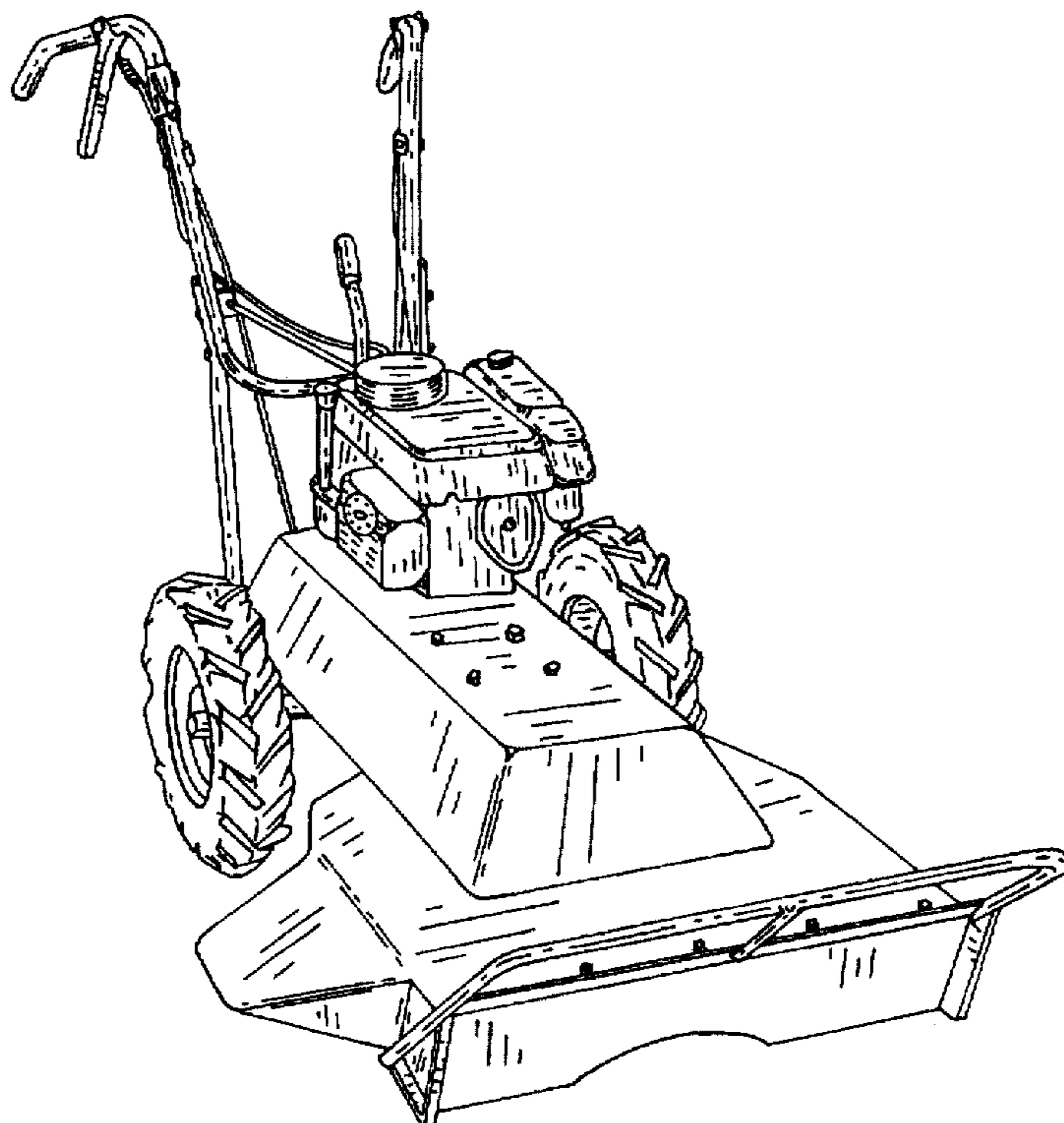
FIG. 2 is a rear perspective view;

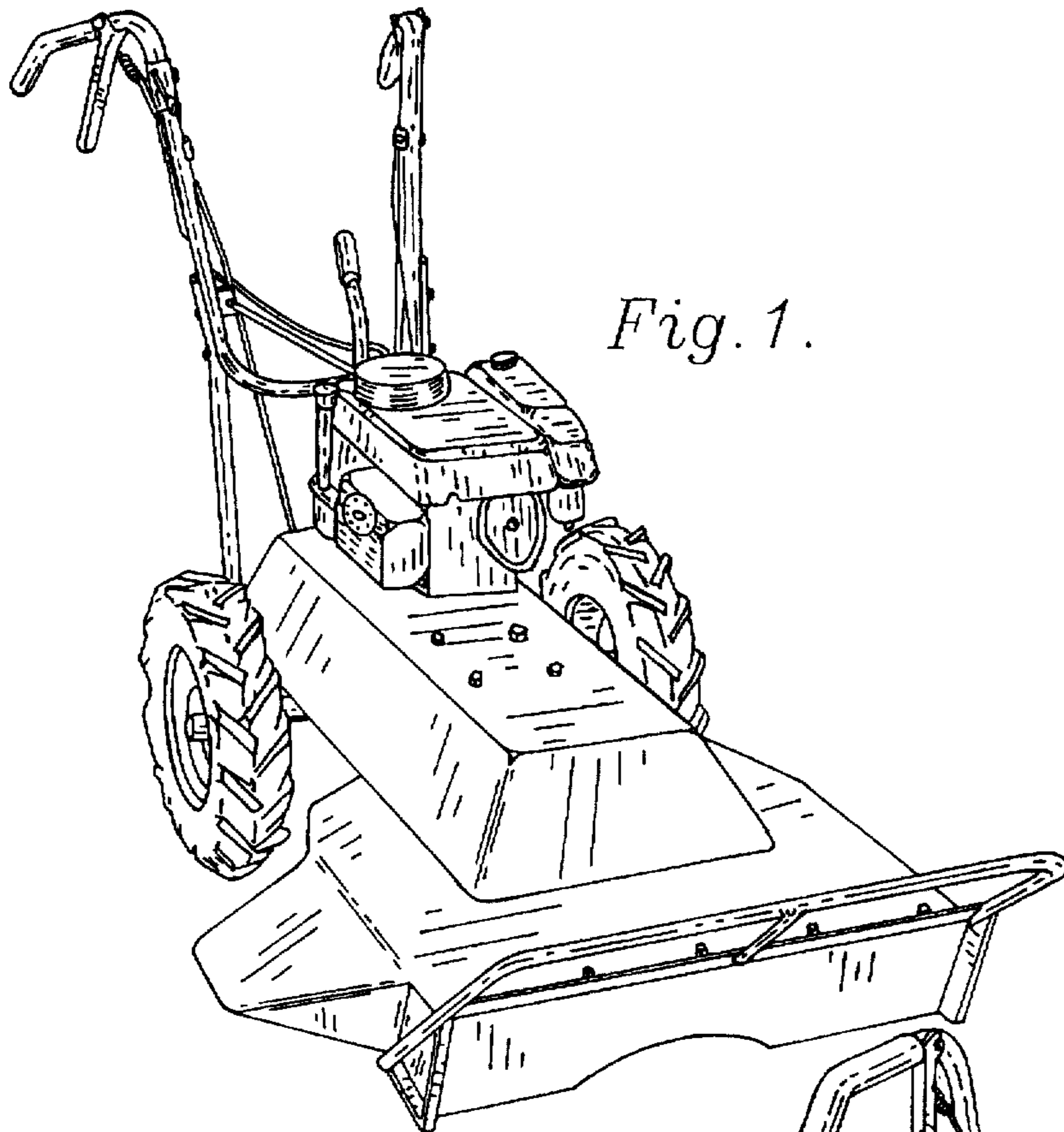
FIG. 3 is a straight on front perspective view;

FIG. 4 is a left side perspective view; and,

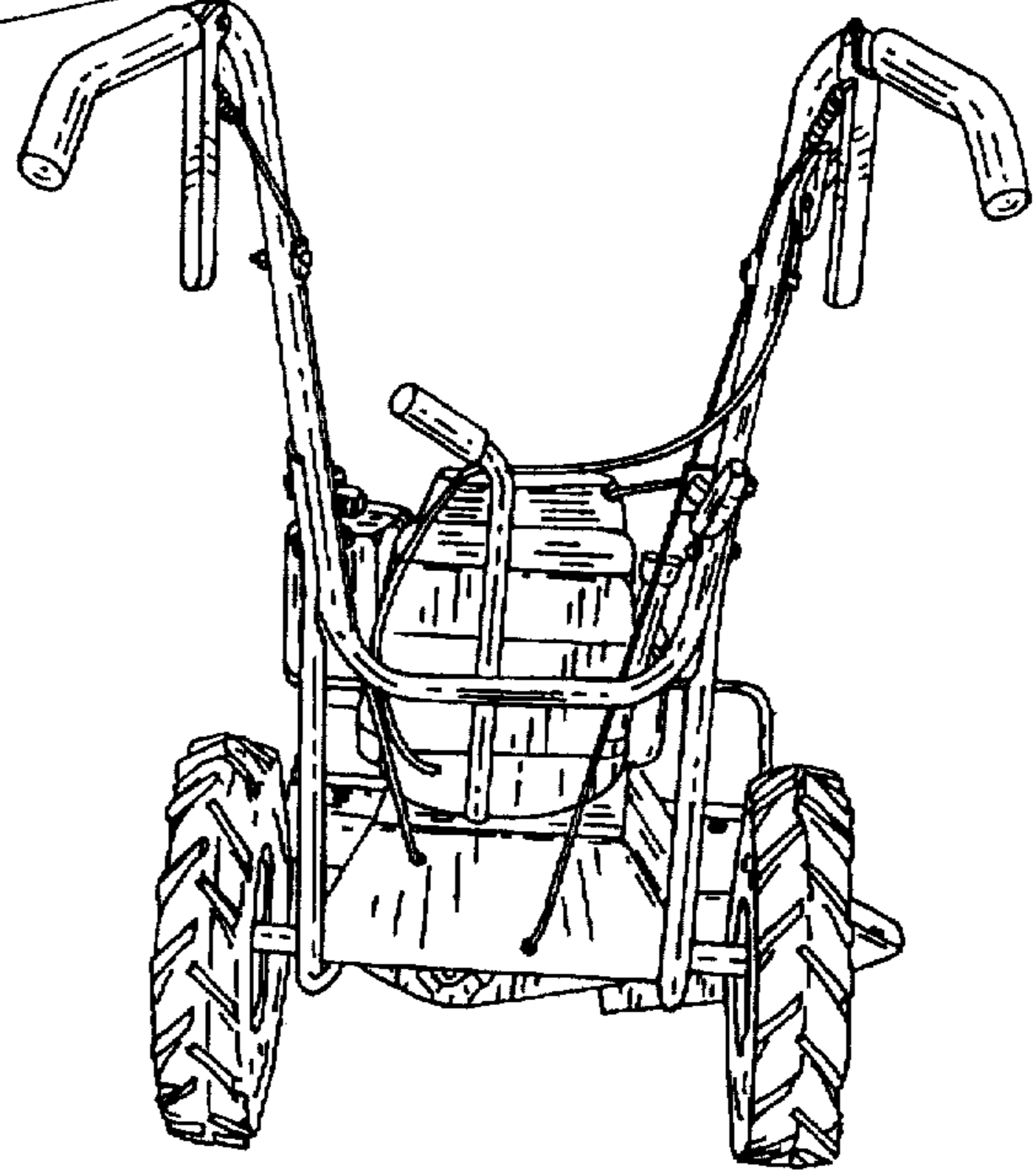
FIG. 5 is a right side perspective view.

**1 Claim, 2 Drawing Sheets**

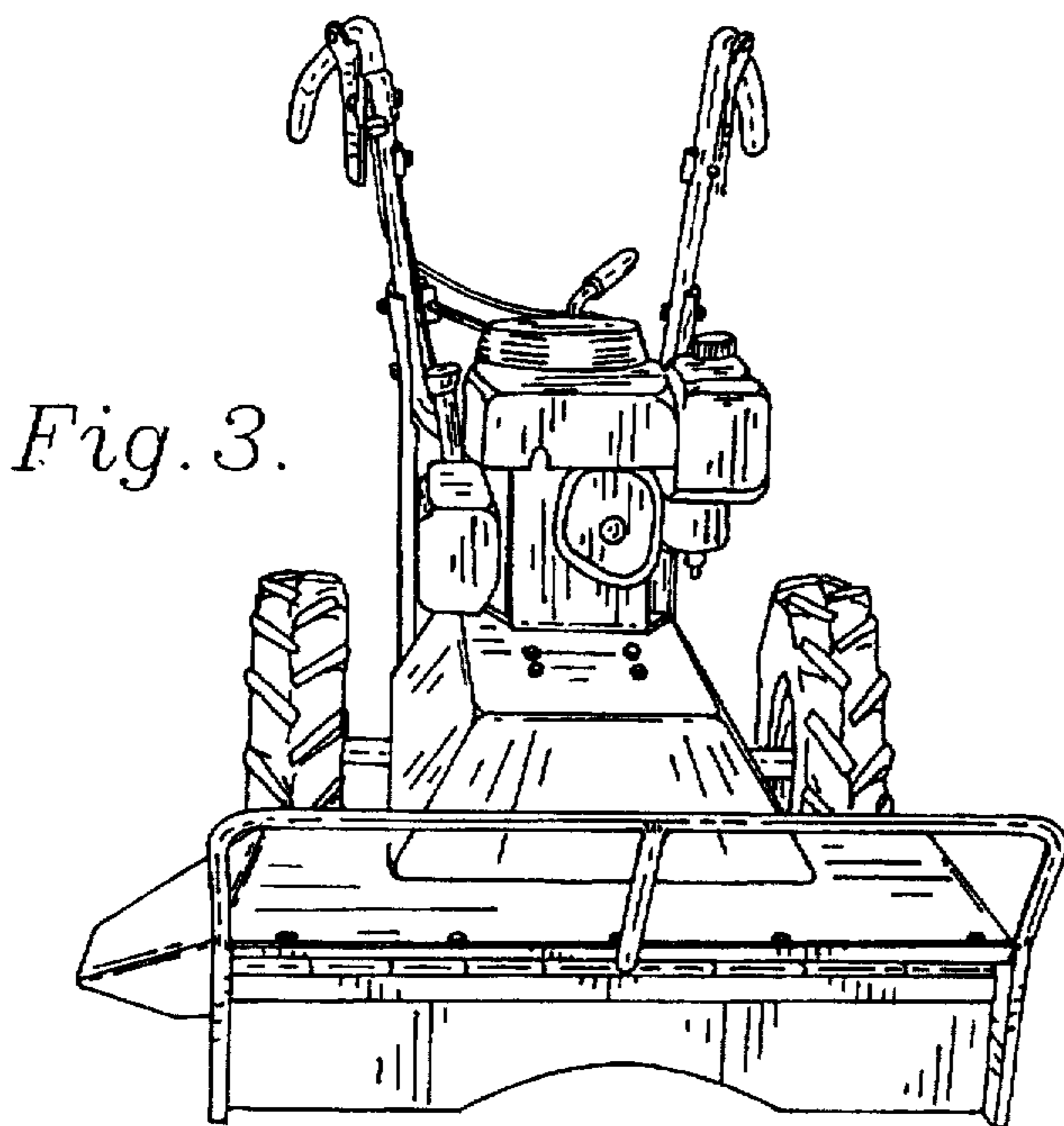




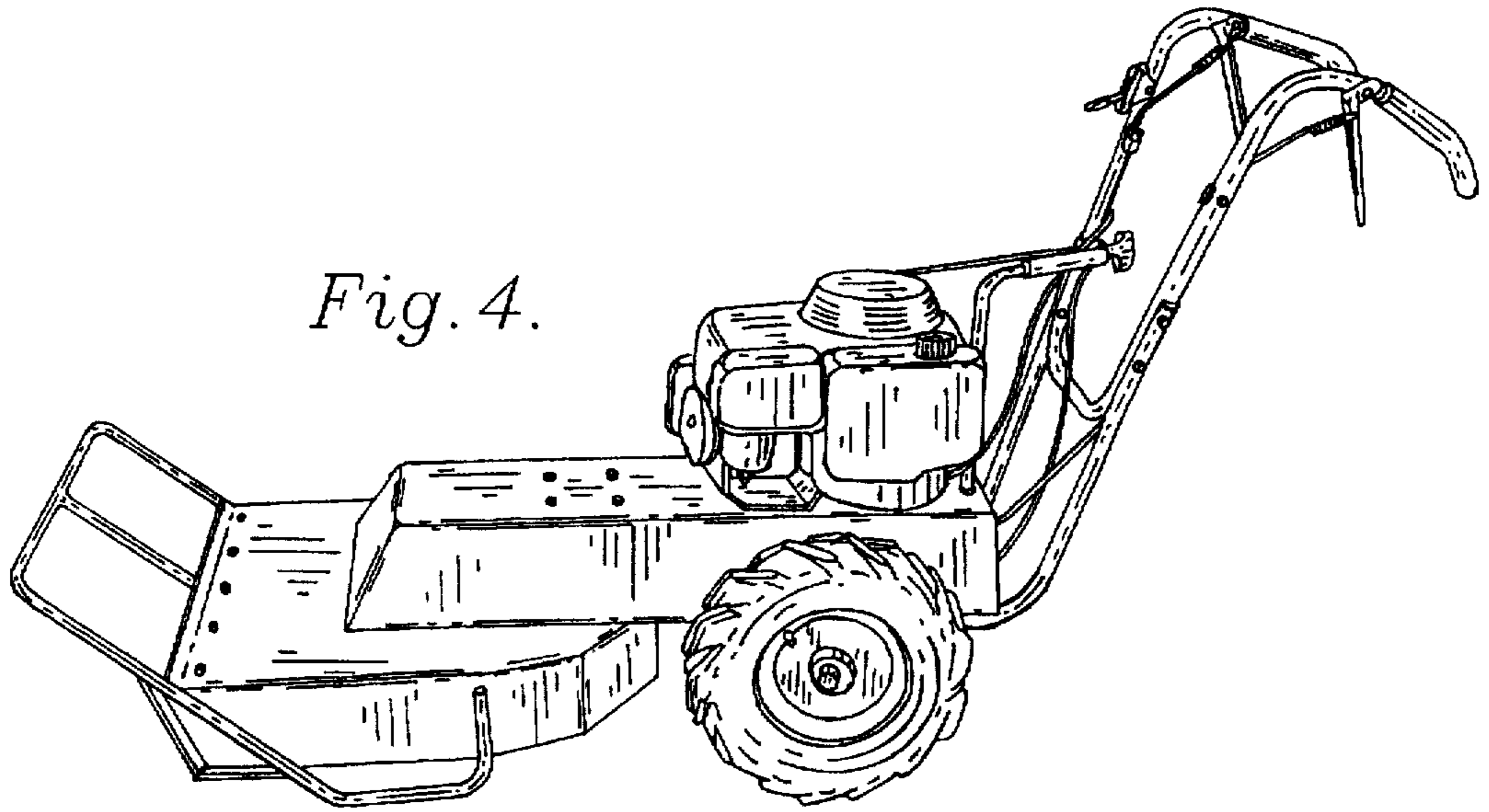
*Fig. 1.*



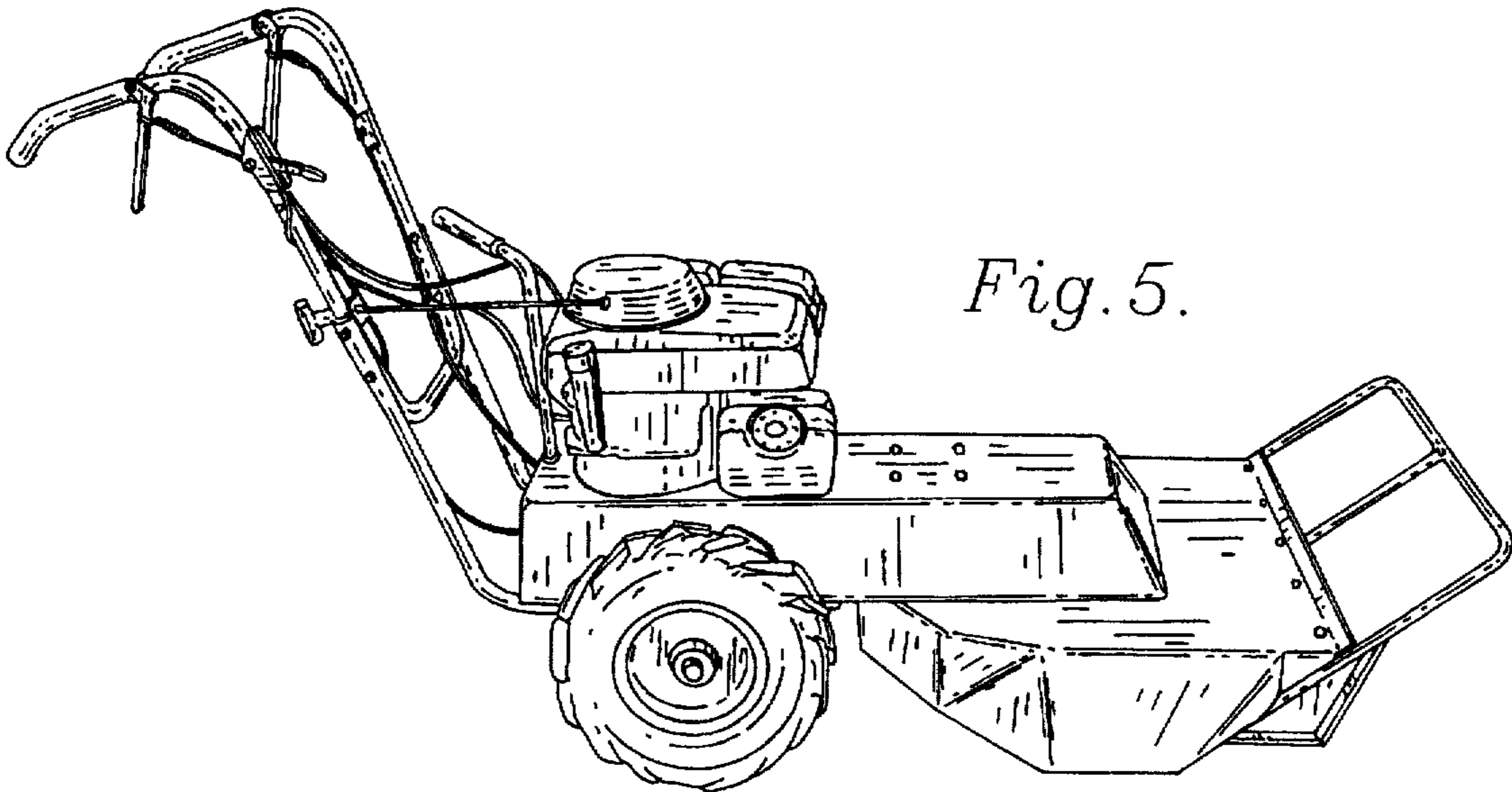
*Fig. 2.*



*Fig. 3.*



*Fig. 4.*



*Fig. 5.*