



US00D386766S

United States Patent [19]
Johansson

[11] **Patent Number: Des. 386,766**
[45] **Date of Patent: **Nov. 25, 1997**

[54] **HOLDER FOR MOBILE TELEPHONE IN VEHICLE**

[75] **Inventor: Ebbe Johansson, Karlsborg, Sweden**

[73] **Assignee: Brodit Plast AB, Karlsborg, Sweden**

[**] **Term: 14 Years**

[21] **Appl. No.: 44,467**

[22] **Filed: Sep. 25, 1995**

[30] **Foreign Application Priority Data**

Jun. 2, 1995 [SE] Sweden 95-1131

[51] **LOC (6) Cl. 14-03**

[52] **U.S. Cl. D14/253; D8/349**

[58] **Field of Search D14/251, 253, D14/240, 252, 140, 142, 107, 114, 138; D8/349, 373, 354; D3/218; 379/446, 450, 454, 455, 434-436; D6/553; D12/415, 420; 455/89, 90; 320/2**

[56] **References Cited**

U.S. PATENT DOCUMENTS

- D. 261,509 10/1981 Cobb D14/253
- D. 317,157 5/1991 Jondelius D8/373 X
- D. 320,992 10/1991 Jondelius D14/253
- D. 321,885 11/1991 Sheldrake D14/253

- D. 328,302 7/1992 Murzanski et al. D14/253
- D. 345,906 4/1994 Schmidt et al. D8/373
- D. 359,228 6/1995 Dunlap D8/373
- D. 371,137 6/1996 Kriegh D14/253
- D. 373,068 8/1996 Airey D8/349
- 4,810,216 3/1989 Kawamura D14/251 X
- 5,222,132 6/1993 Rioux, Jr. 379/455
- 5,301,230 4/1994 Barry 379/450 X
- 5,305,381 4/1994 Wang et al. 379/455
- 5,517,434 5/1996 Hanson et al. 320/2 X

Primary Examiner—Jeffrey Asch
Attorney, Agent, or Firm—Dvorak & Orum

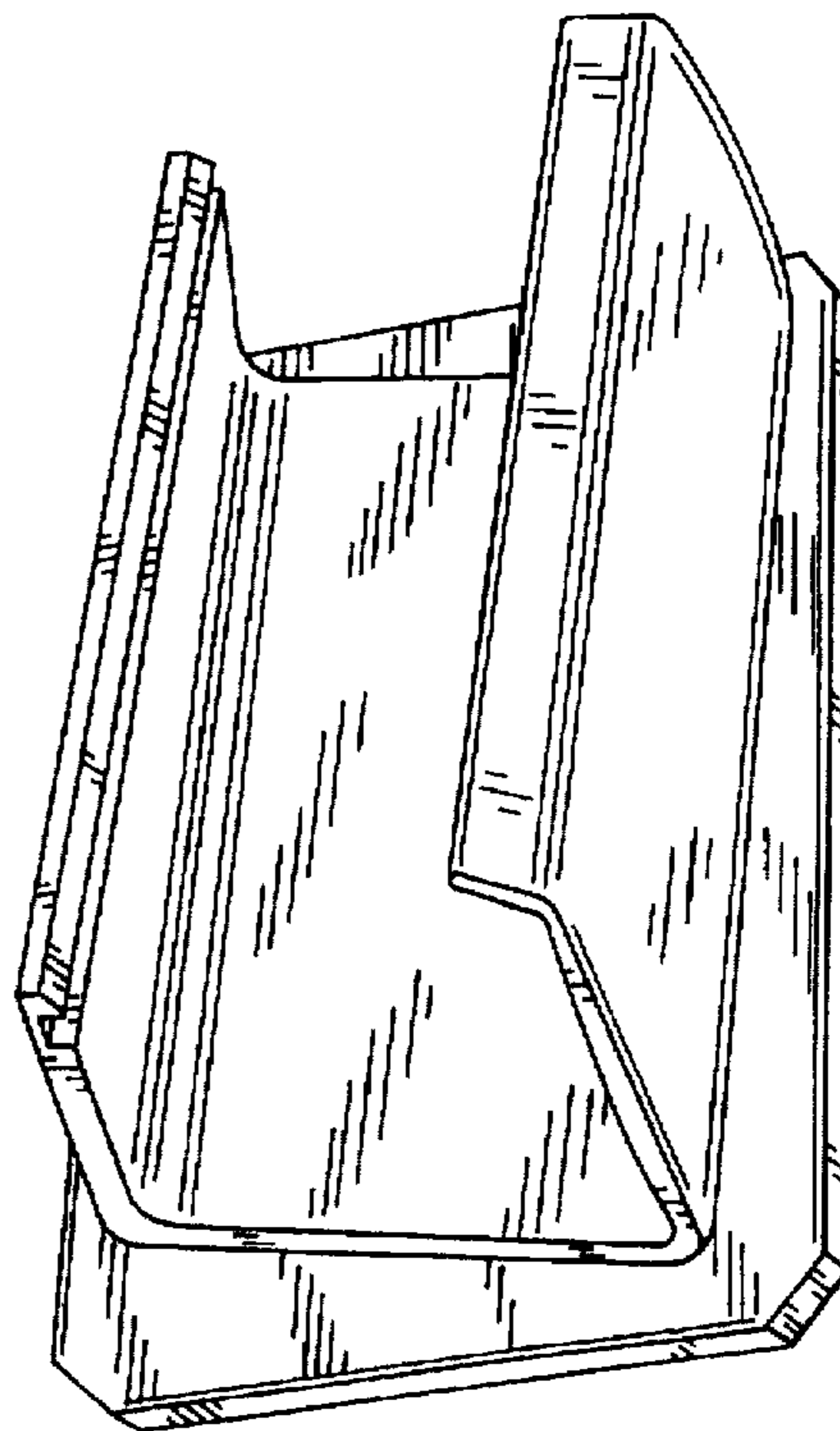
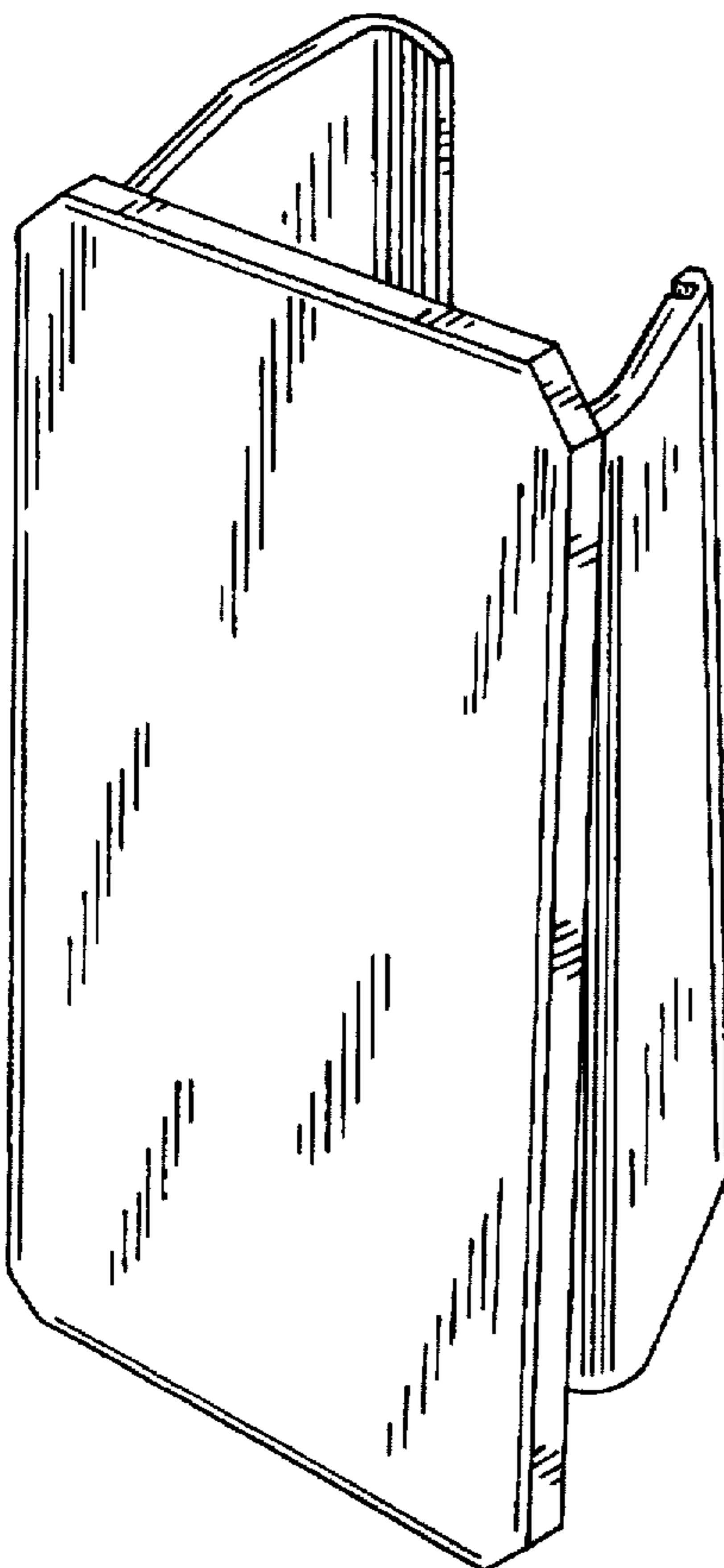
[57] **CLAIM**

The ornamental design for a holder for mobile telephone in vehicle, as shown and described.

DESCRIPTION

FIG. 1 is a rear upper perspective view of a holder for mobile telephone in vehicle showing my new design;
FIG. 2 is a lower front perspective view;
FIG. 3 is a rear view;
FIG. 4 is a front view;
FIG. 5 is a side lower perspective view;
FIG. 6 is a side lower perspective view of the opposite side;
FIG. 7 is a bottom view; and,
FIG. 8 is a top view.

1 Claim, 4 Drawing Sheets



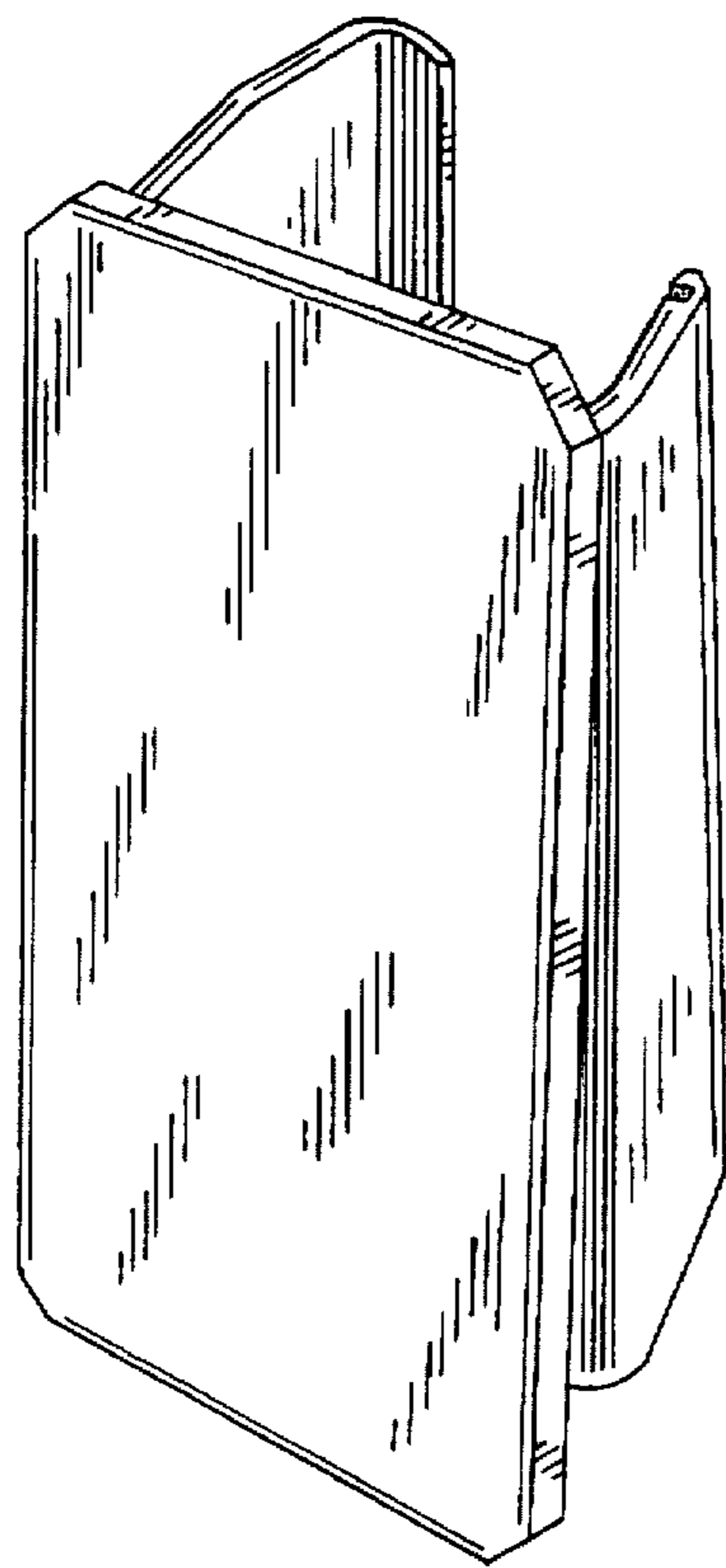


FIG. 1

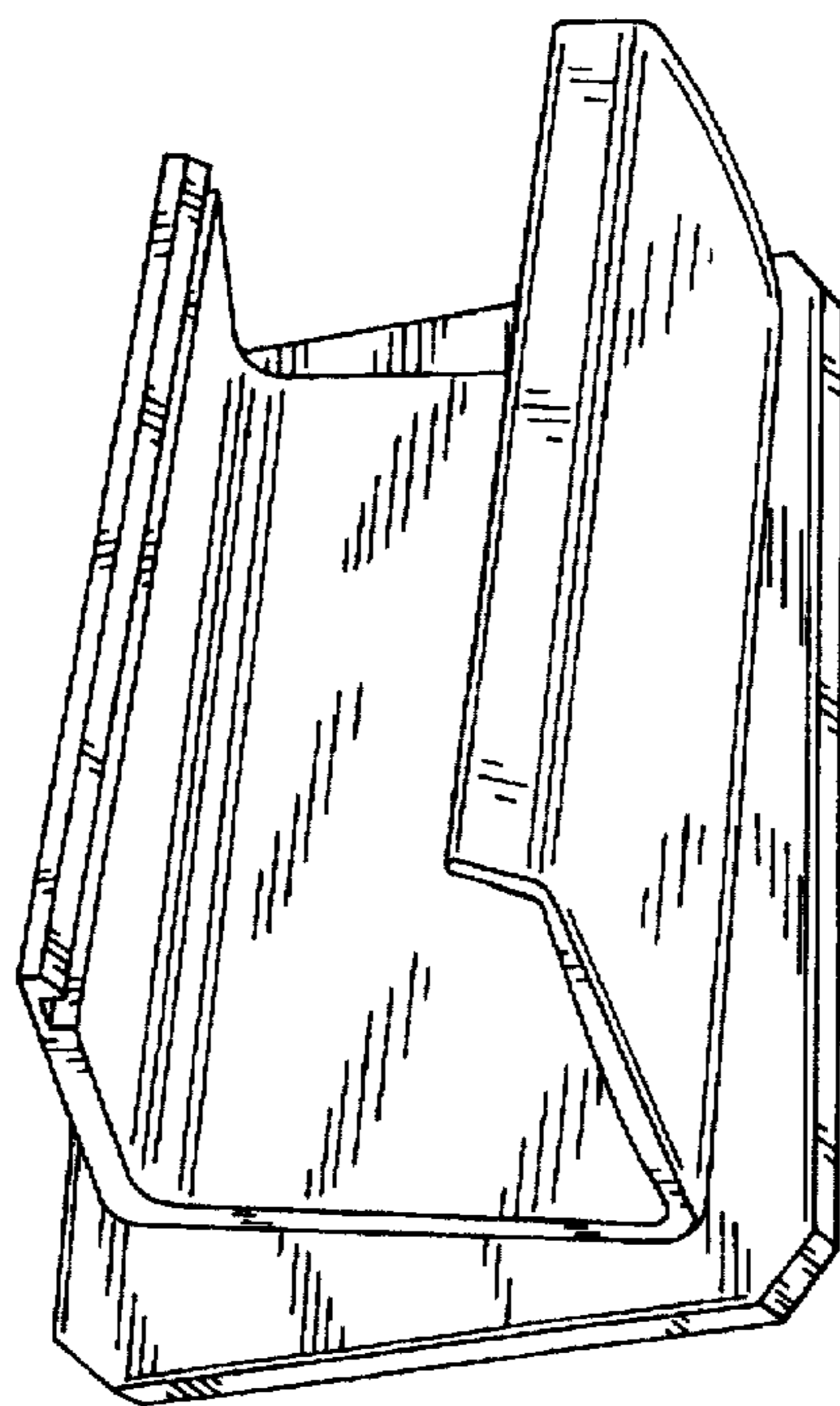


FIG. 2

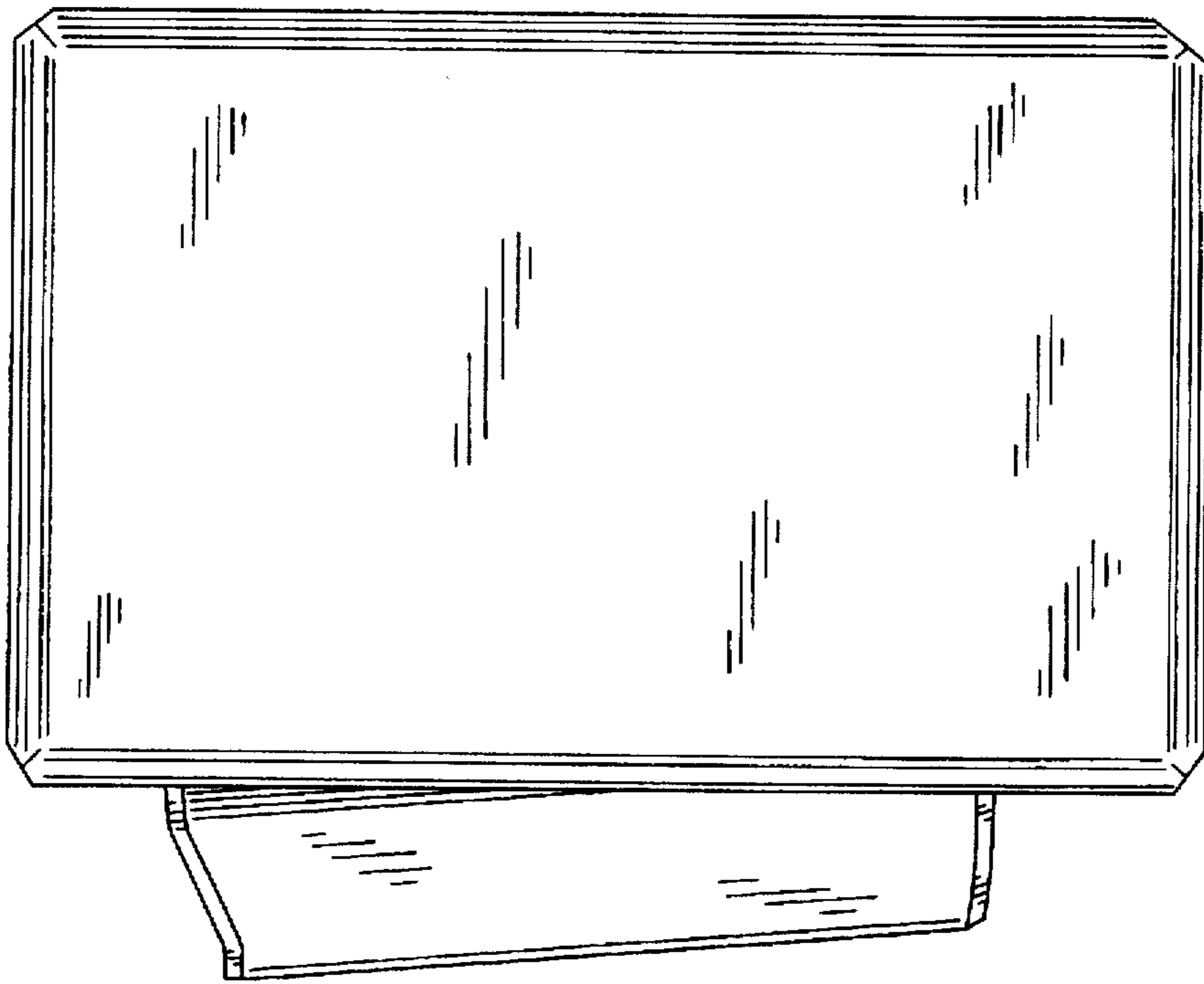


FIG. 3

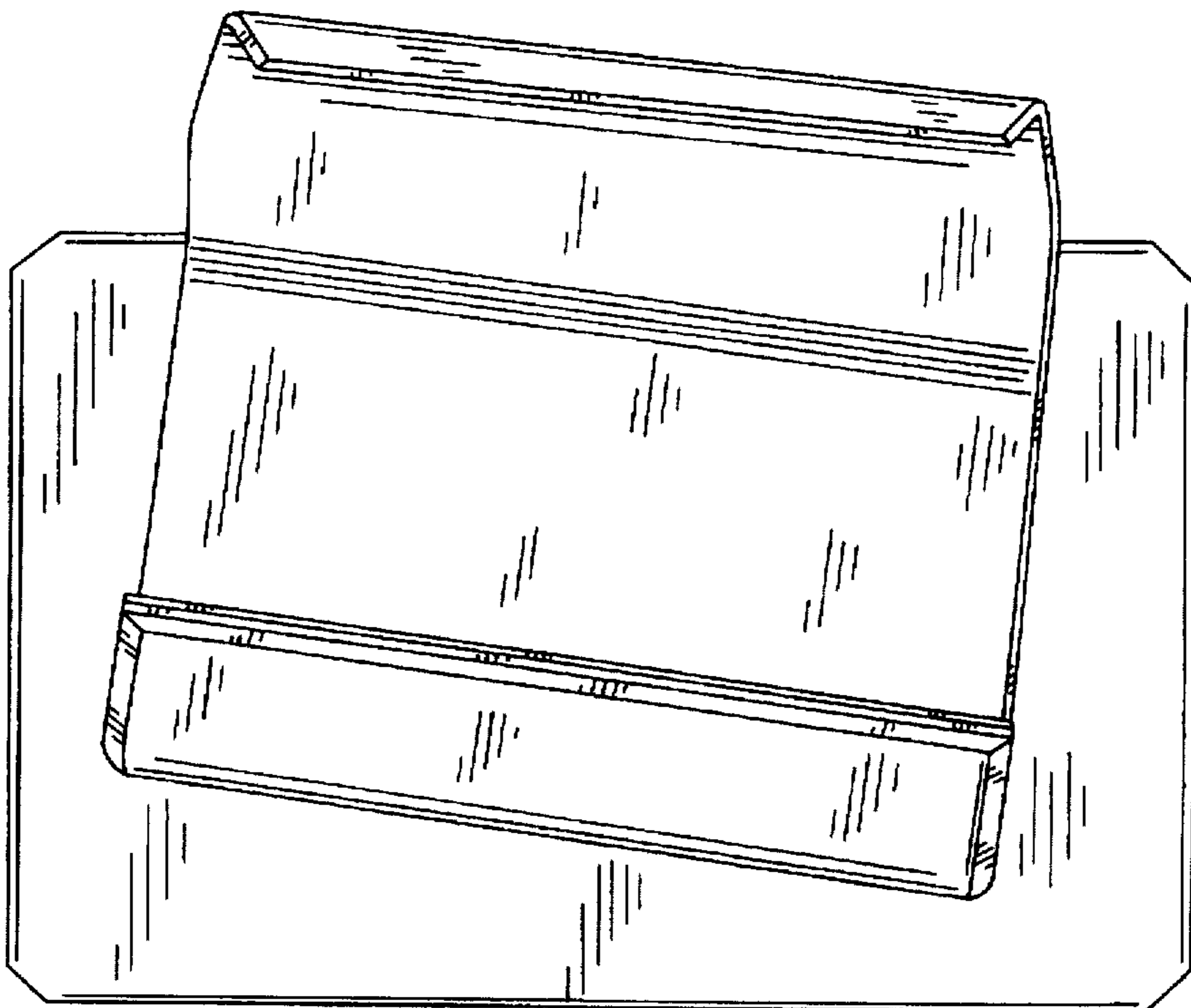


FIG. 4

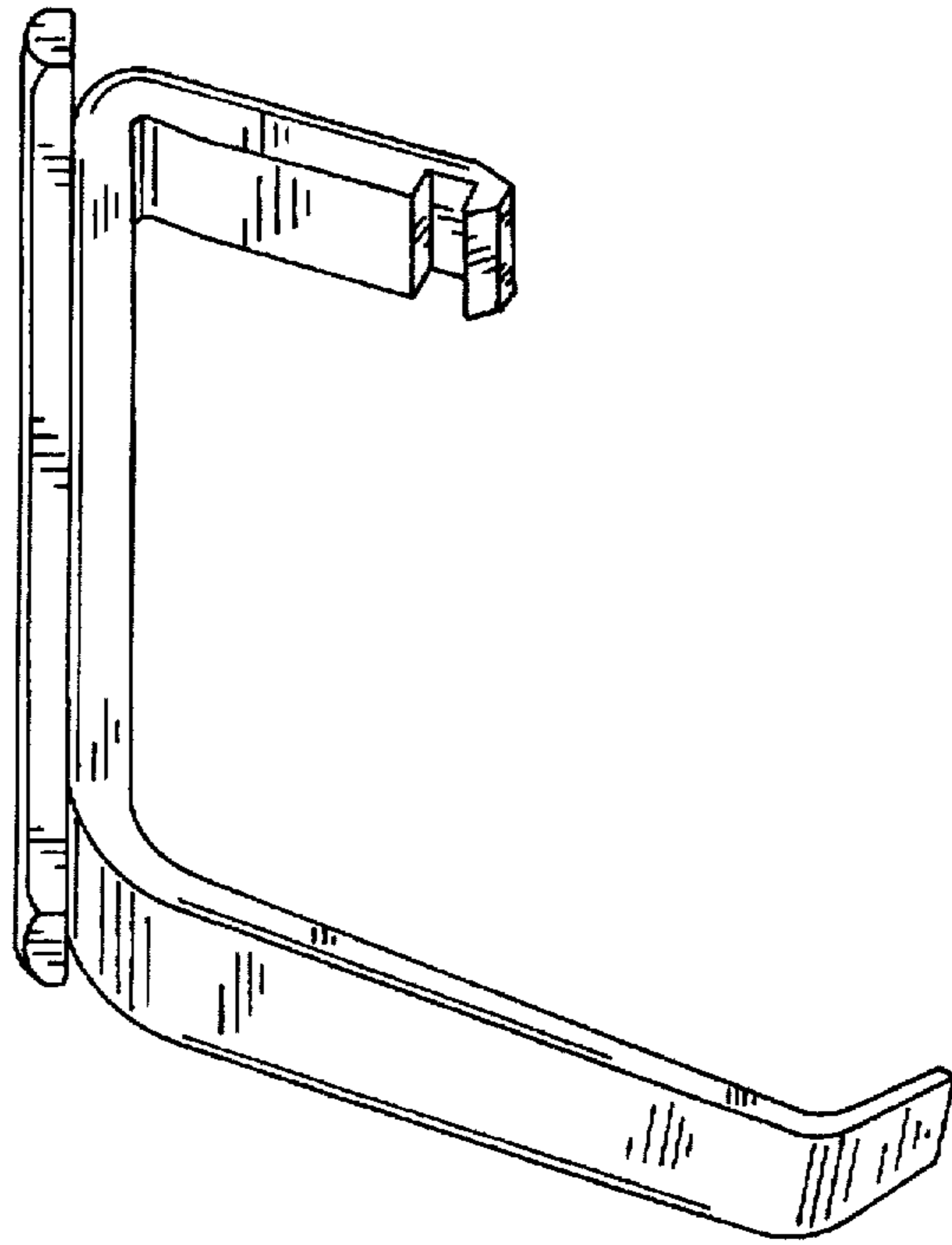


FIG. 5

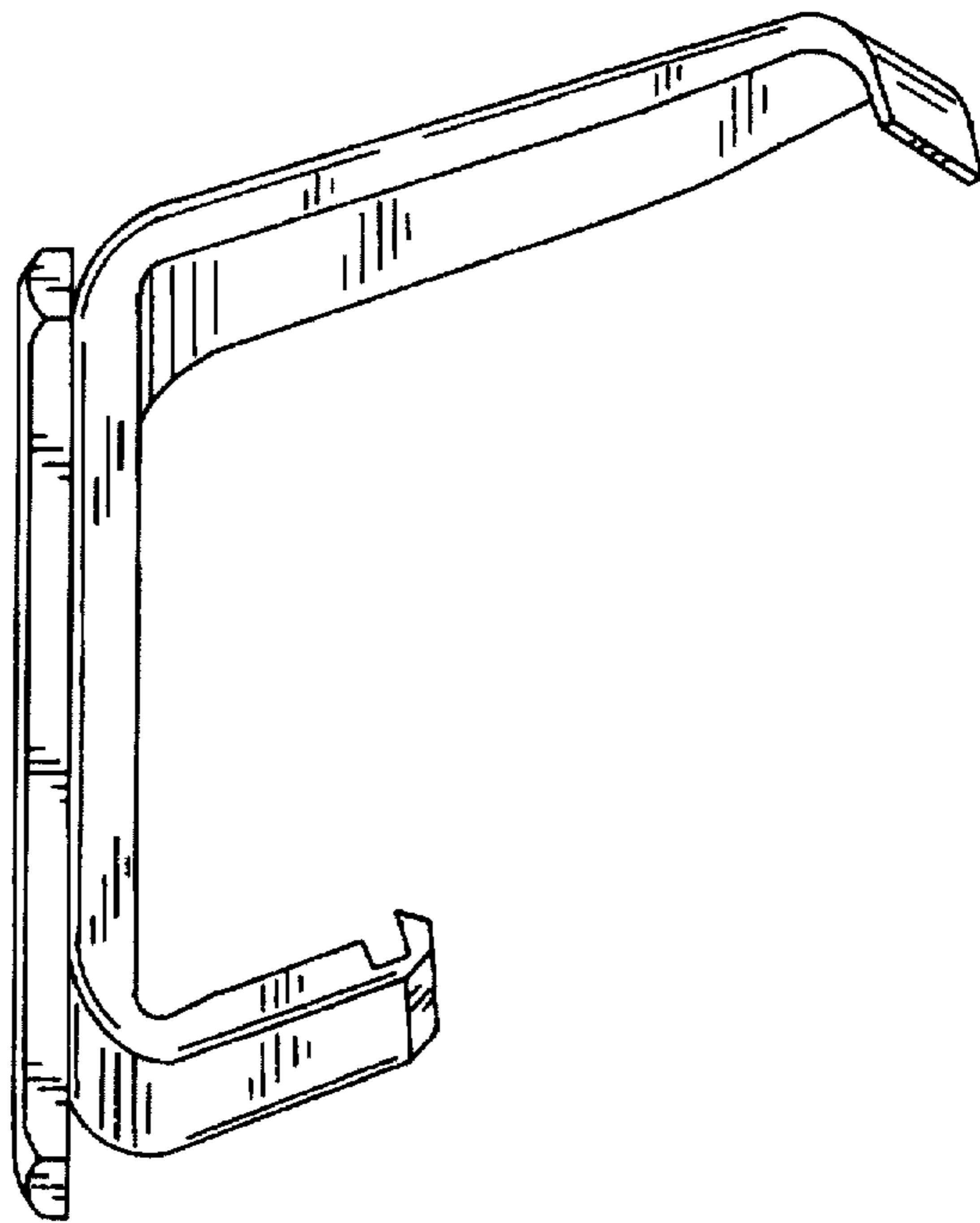


FIG. 6

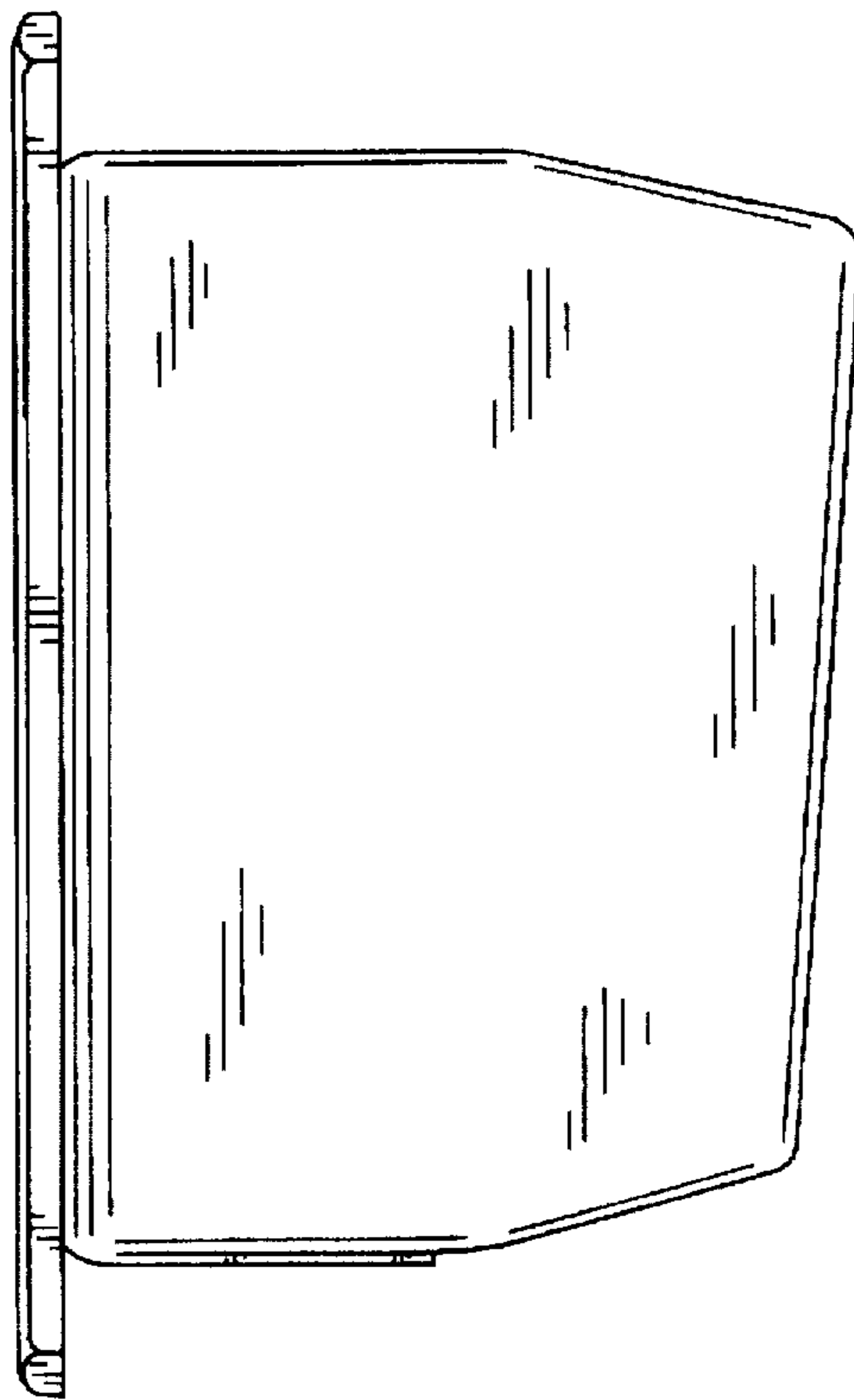


FIG. 7

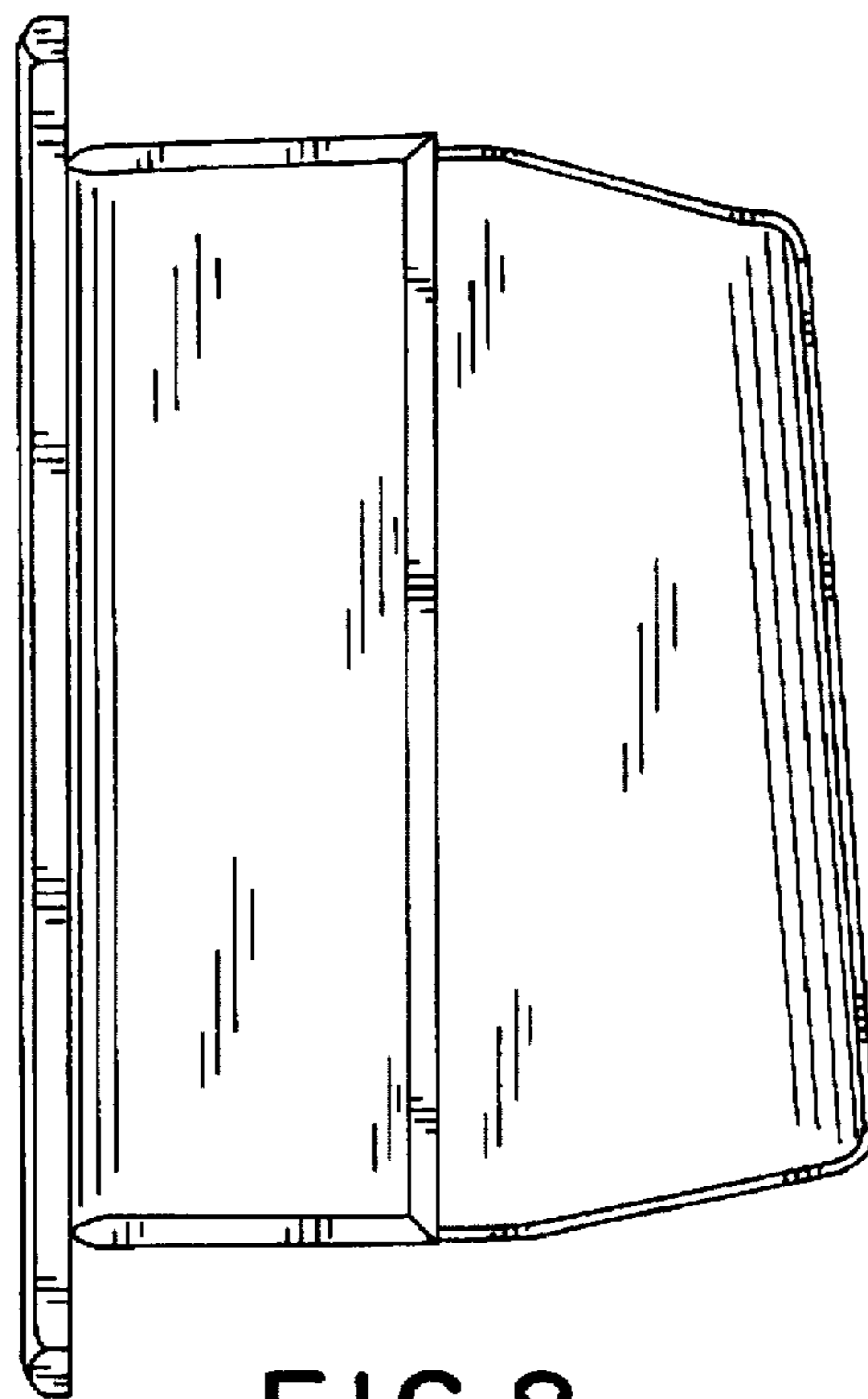


FIG. 8