



US00D386765S

United States Patent [19] Brito

[11] Patent Number: Des. 386,765

[45] Date of Patent: **Nov. 25, 1997

[54] EAR CUSHION FOR TELEPHONES

[76] Inventor: **Ronald Brito**, P.O. Box 309, San Dimas, Calif. 91773

[**] Term: **14 Years**

[21] Appl. No.: **51,430**

[22] Filed: **Mar. 11, 1996**

[51] LOC (6) Cl. **14-03**

[52] U.S. Cl. **D14/249; D14/250**

[58] Field of Search D14/137, 138, D14/147-151, 240, 249, 250, 205; 379/58-61, 419, 420, 428, 440, 451, 452, 447, 441, 433, 443, 439; 455/89, 90

[56] References Cited

U.S. PATENT DOCUMENTS

D. 210,949	5/1968	Ratner	D14/240
D. 311,401	10/1990	Catey et al.	D14/250
D. 320,798	10/1991	Holt	D14/151 X
D. 320,799	10/1991	Holt	D14/249
D. 328,077	7/1992	Gradl	D14/250
D. 358,396	5/1995	Holbeck	D14/250
4,570,038	2/1986	Tinelli	379/452
4,905,276	2/1990	Catey et al.	379/447 X
5,054,063	10/1991	Lo et al.	379/452
5,136,639	8/1992	Brito	379/452 X

FOREIGN PATENT DOCUMENTS

2674713 A	10/1992	France	379/452
1-108836	4/1989	Japan	379/452

Primary Examiner—Jeffrey Asch
Attorney, Agent, or Firm—Christie, Parker & Hale, LLP

[57] CLAIM

The ornamental design for ear cushion for telephones, as shown and described.

DESCRIPTION

FIG. 1 is a top plan view of an ear cushion for telephone showing my new design;

FIG. 2 is a cross-section view as taken along line 2—2 in FIG. 1;

FIG. 3 is a cross-section view as taken along line 3—3 of FIG. 1;

FIG. 4 is a right end elevation view, a left end elevation view being a mirror image of FIG. 4;

FIG. 5 is an upper side elevation view a lower side elevation view being essentially the same as FIG. 5;

FIG. 6 is a bottom plan view; and,

FIG. 7 is a top plan view of a second embodiment of that shown in FIG. 1, the only differences over the first embodiment being encompassed in this single view.

1 Claim, 1 Drawing Sheet

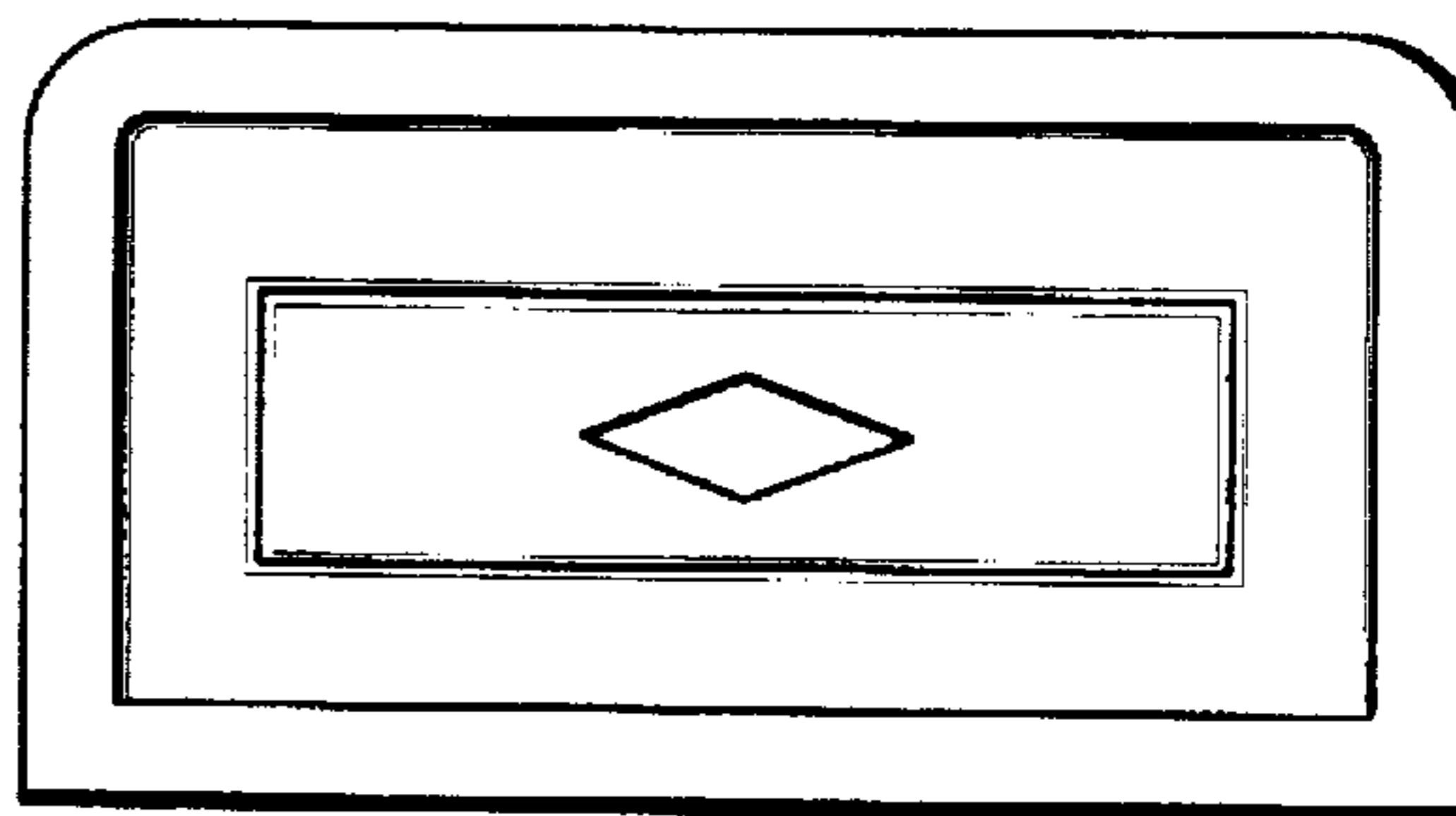
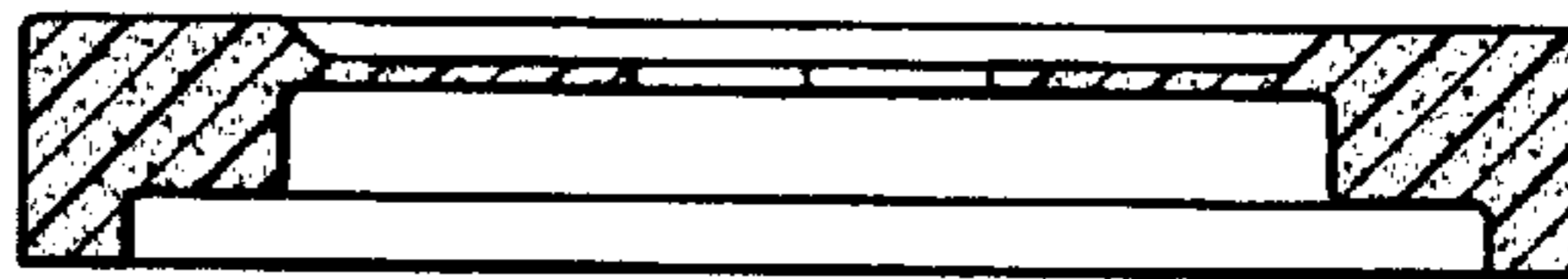
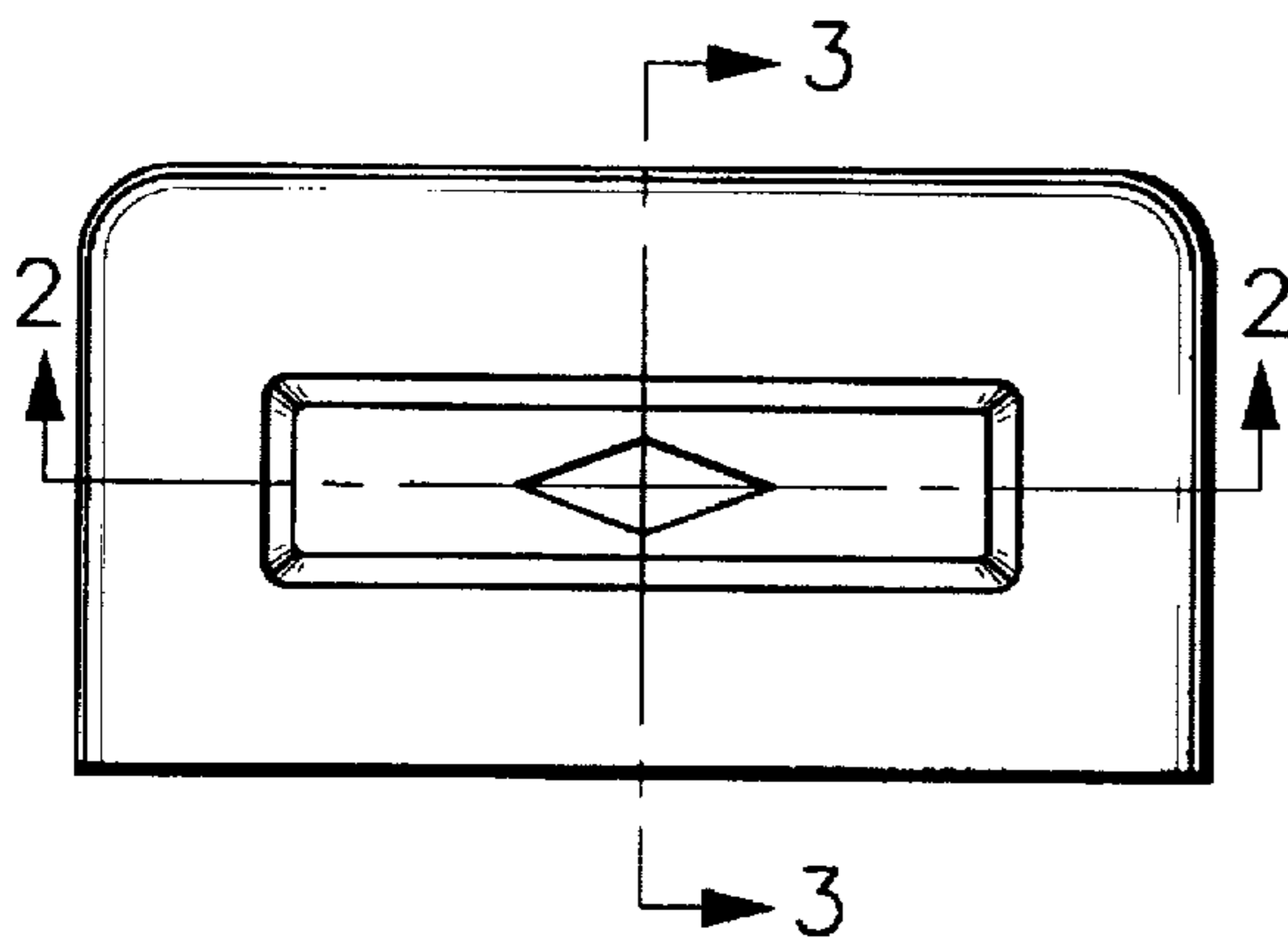


FIG. 1

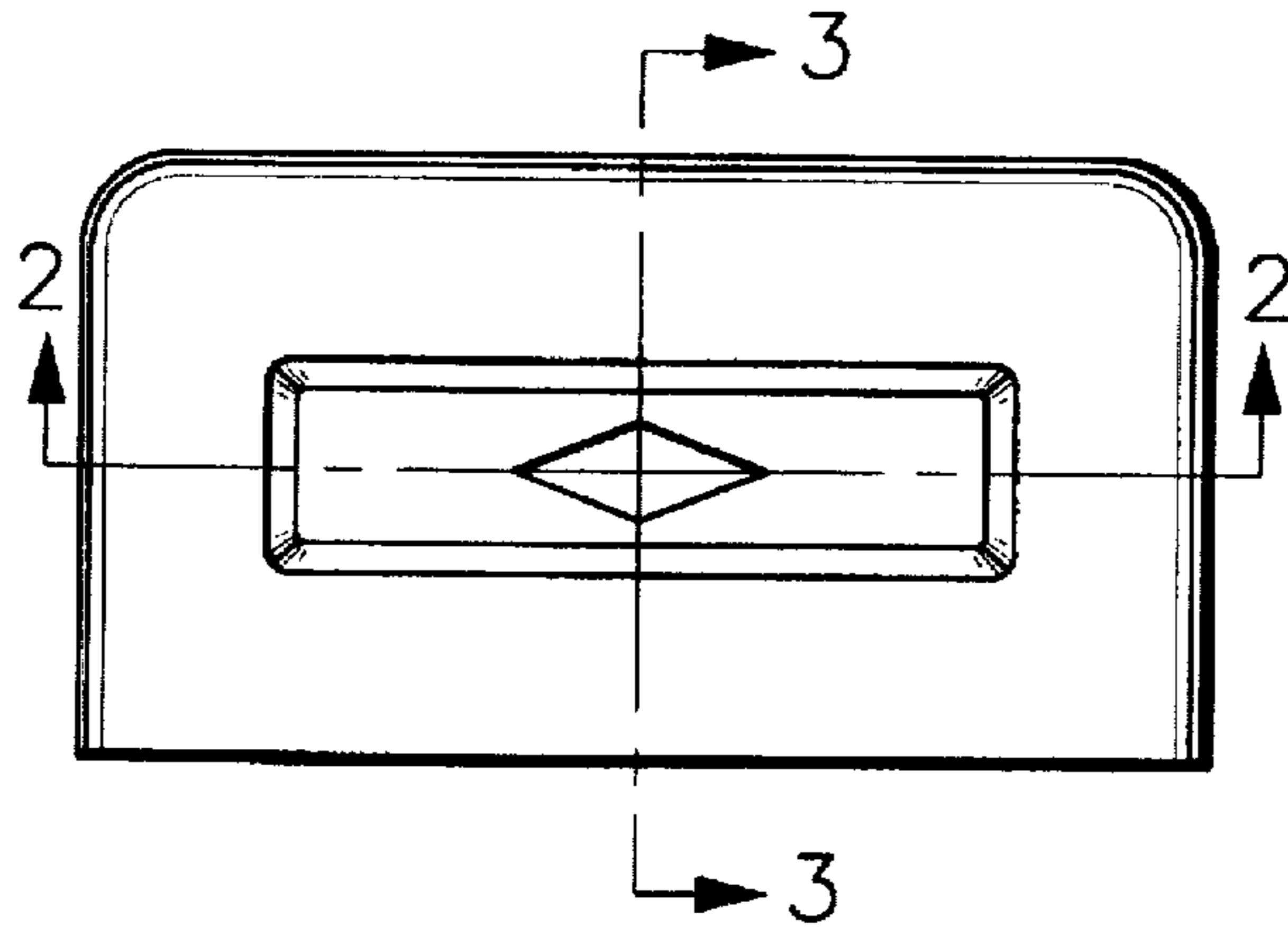


FIG. 2

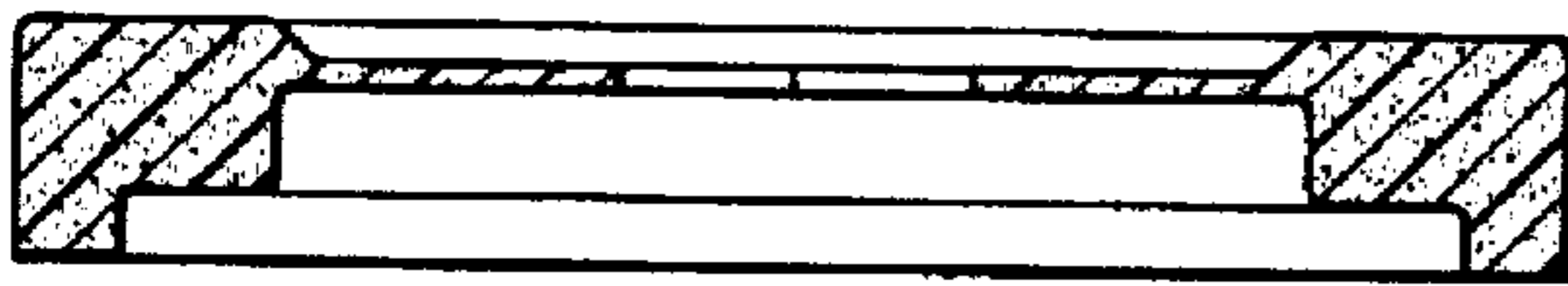


FIG. 3



FIG. 4



FIG. 5



FIG. 6

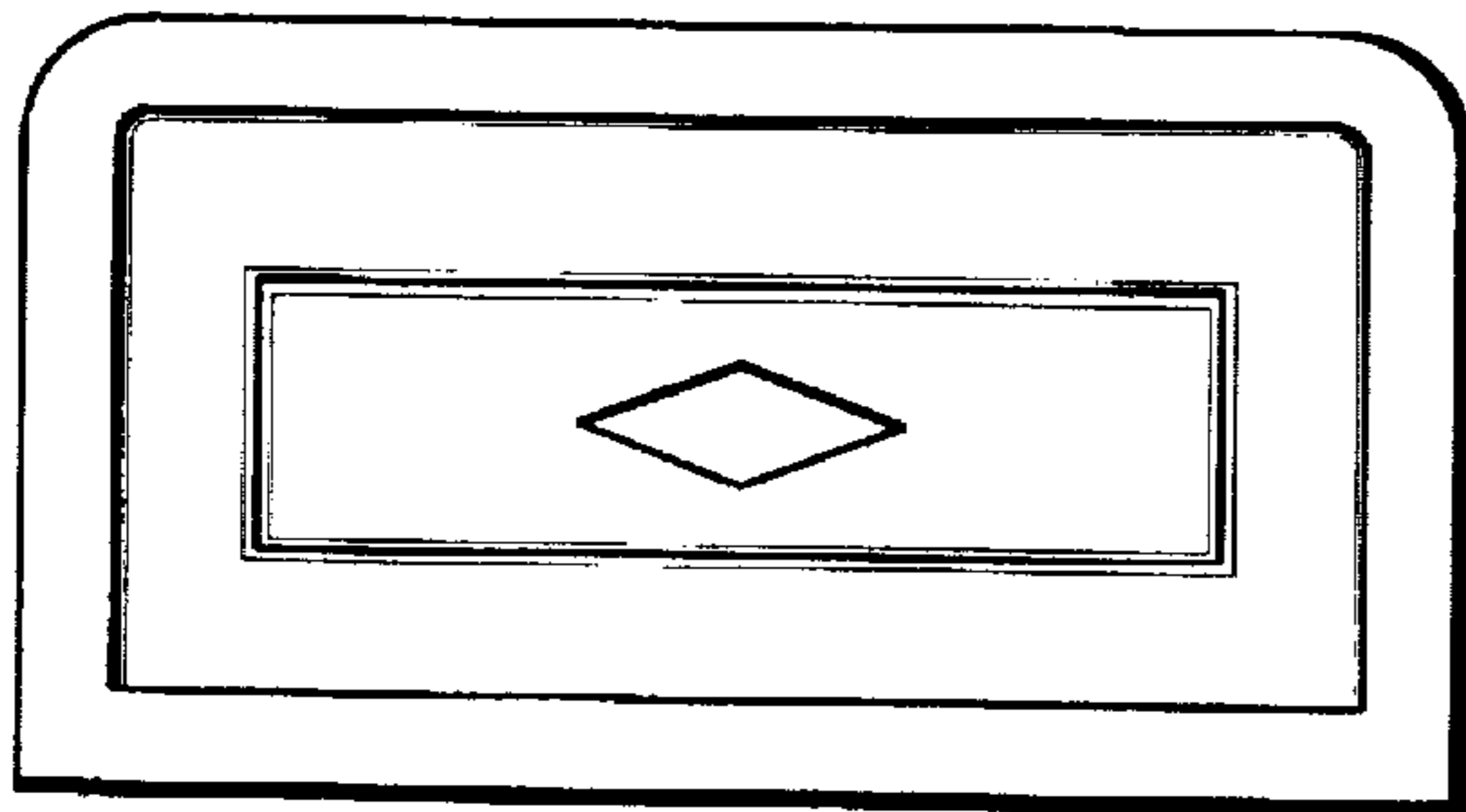


FIG. 7

