



US00D386764S

United States Patent [19] Lake

[11] Patent Number: **Des. 386,764**
[45] Date of Patent: ****Nov. 25, 1997**

[54] **MICROPHONE**
[75] Inventor: **Thomas Lake**, Eagan, Minn.
[73] Assignee: **Telex Communications, Inc.**,
Minneapolis, Minn.
[**] Term: **14 Years**
[21] Appl. No.: **53,220**
[22] Filed: **Apr. 17, 1996**
[51] **LOC (6) Cl.** **14-01**
[52] **U.S. Cl.** **D14/225**
[58] **Field of Search** D14/206, 225-229,
D14/299; 181/153, 158, 242; 379/430-431;
381/91, 122, 168-170

4,817,164 3/1989 Bertignoll et al. 381/189
4,867,265 9/1989 Wright 181/131
5,226,076 7/1993 Baumhauer, Jr. et al. 379/388

FOREIGN PATENT DOCUMENTS

2261997 10/1990 Japan 181/158

OTHER PUBLICATIONS

AT&T brochure entitled "Monolith Microphone—3-D Pickup Pattern," two pages.

Primary Examiner—Sandra L. Morris
Assistant Examiner—Nanda Bondade
Attorney, Agent, or Firm—Gregory P. Kaihoi

[57] CLAIM

The ornamental design for a microphone, as shown.

DESCRIPTION

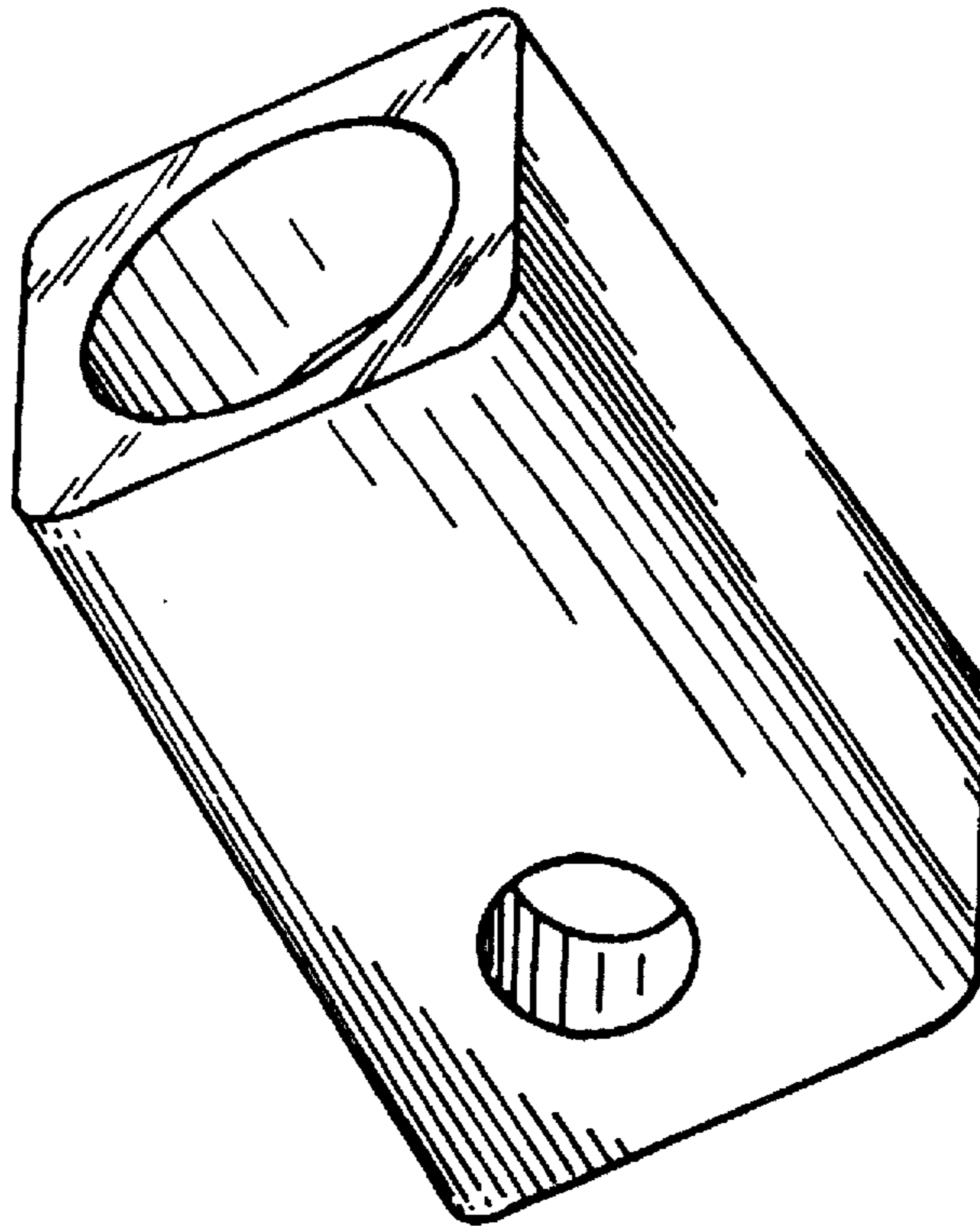
FIG. 1 is a perspective view of a microphone of my invention, showing the front and the right and top sides; FIG. 2 is a top view thereof; FIG. 3 is a front view thereof; FIG. 4 is a left side view thereof; FIG. 5 is a bottom view thereof; FIG. 6 is a rear view thereof; and, FIG. 7 is a right side view thereof.

1 Claim, 1 Drawing Sheet

[56] References Cited

U.S. PATENT DOCUMENTS

D. 356,571 3/1995 Garmon et al. D14/225
1,675,842 7/1928 Aiken 181/242
3,930,560 1/1976 Carlson et al. 181/158 X
3,947,646 3/1976 Saito 179/146 R
4,430,520 2/1984 Tibbetts et al. 174/35 R
4,434,329 2/1984 Nasu 179/121 R
4,453,045 6/1984 Bruna 179/146 R
4,528,426 7/1985 Fatovic et al. 179/121 D
4,789,044 12/1988 Akino 181/158



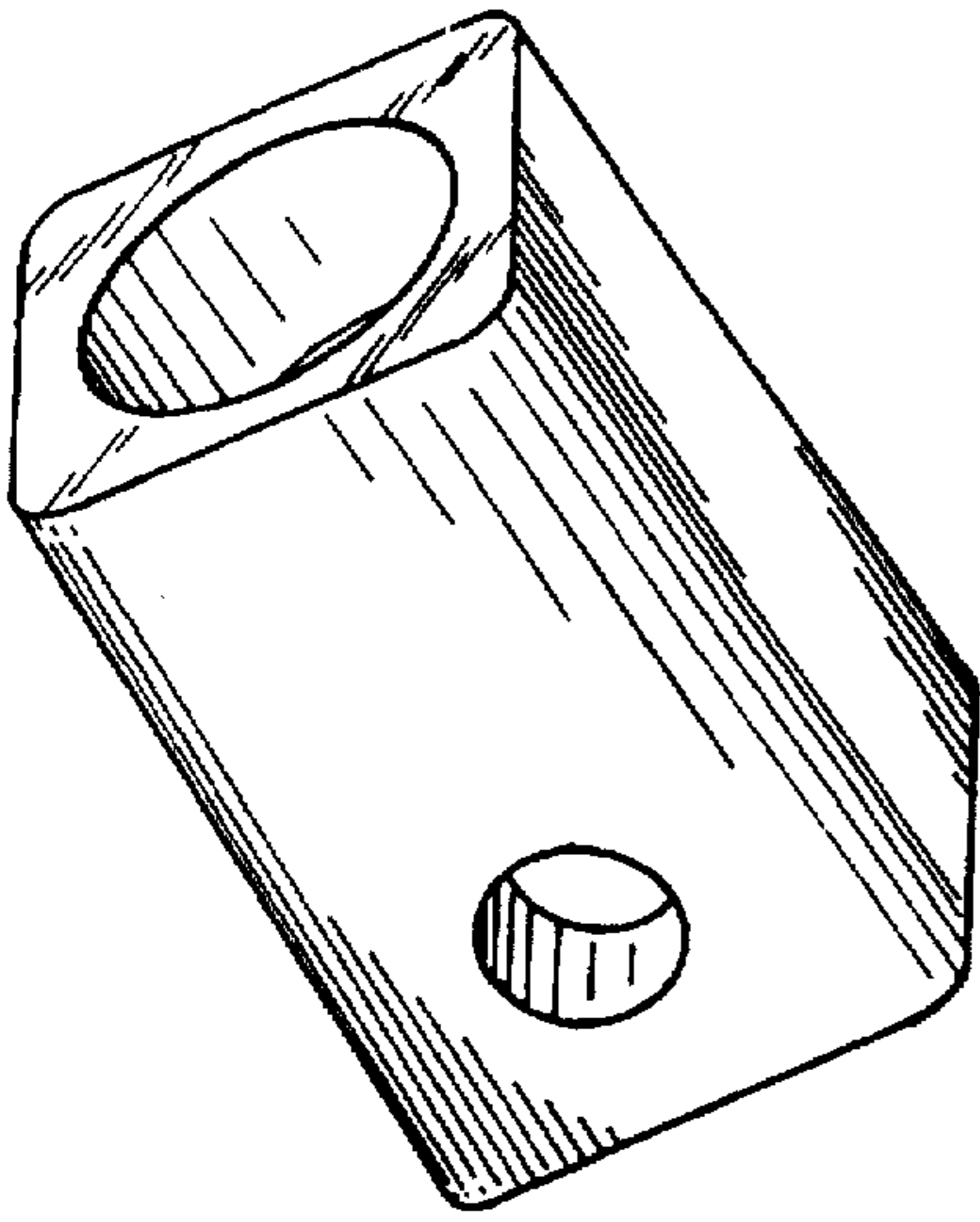


Fig. 1

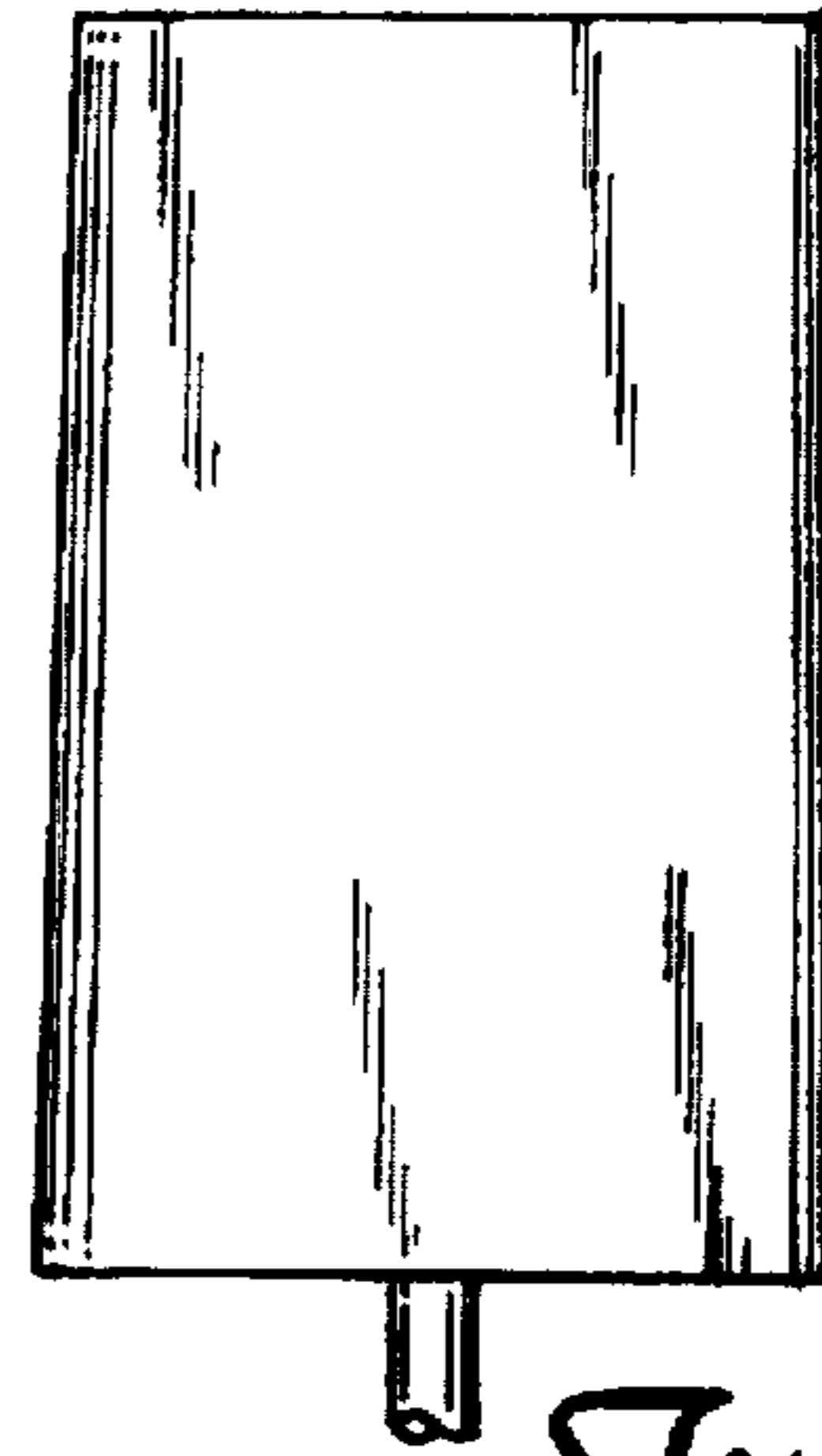


Fig. 2

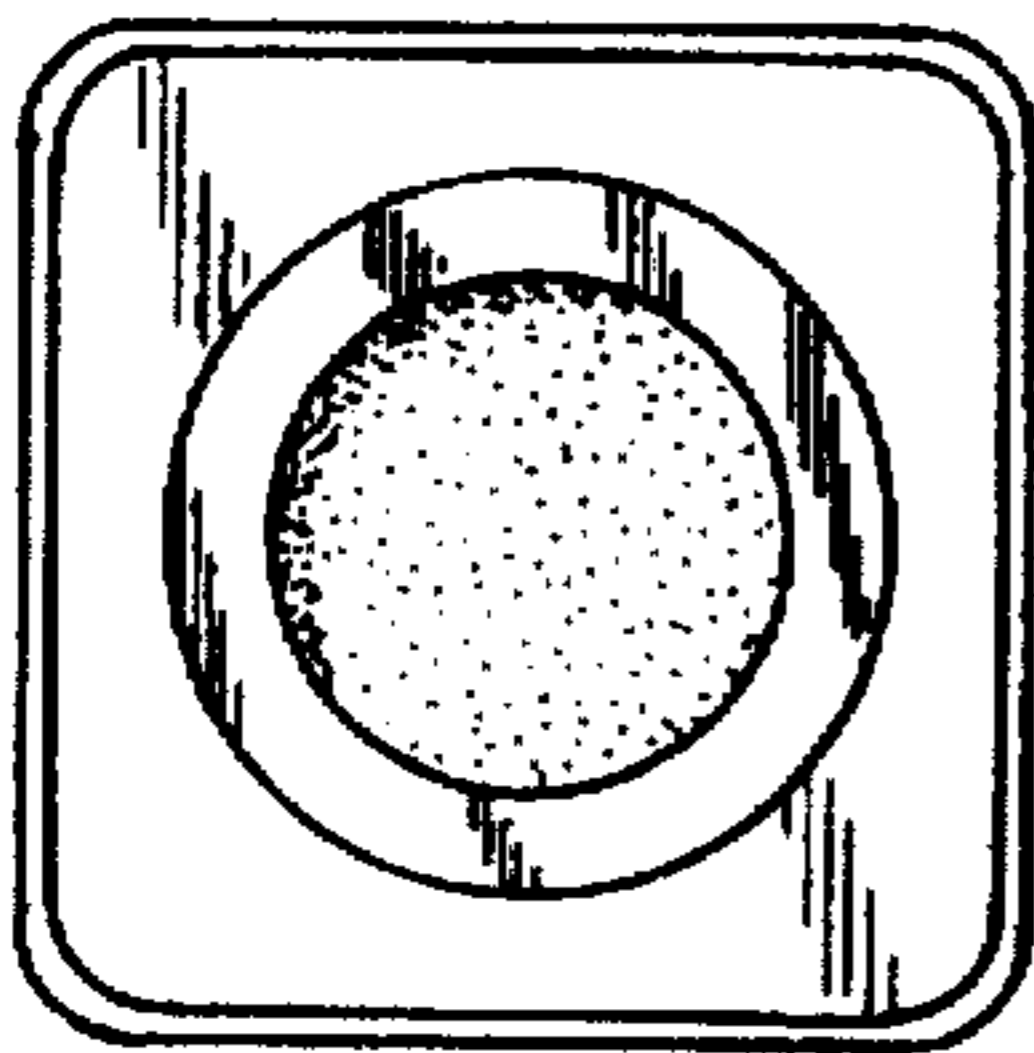


Fig. 3

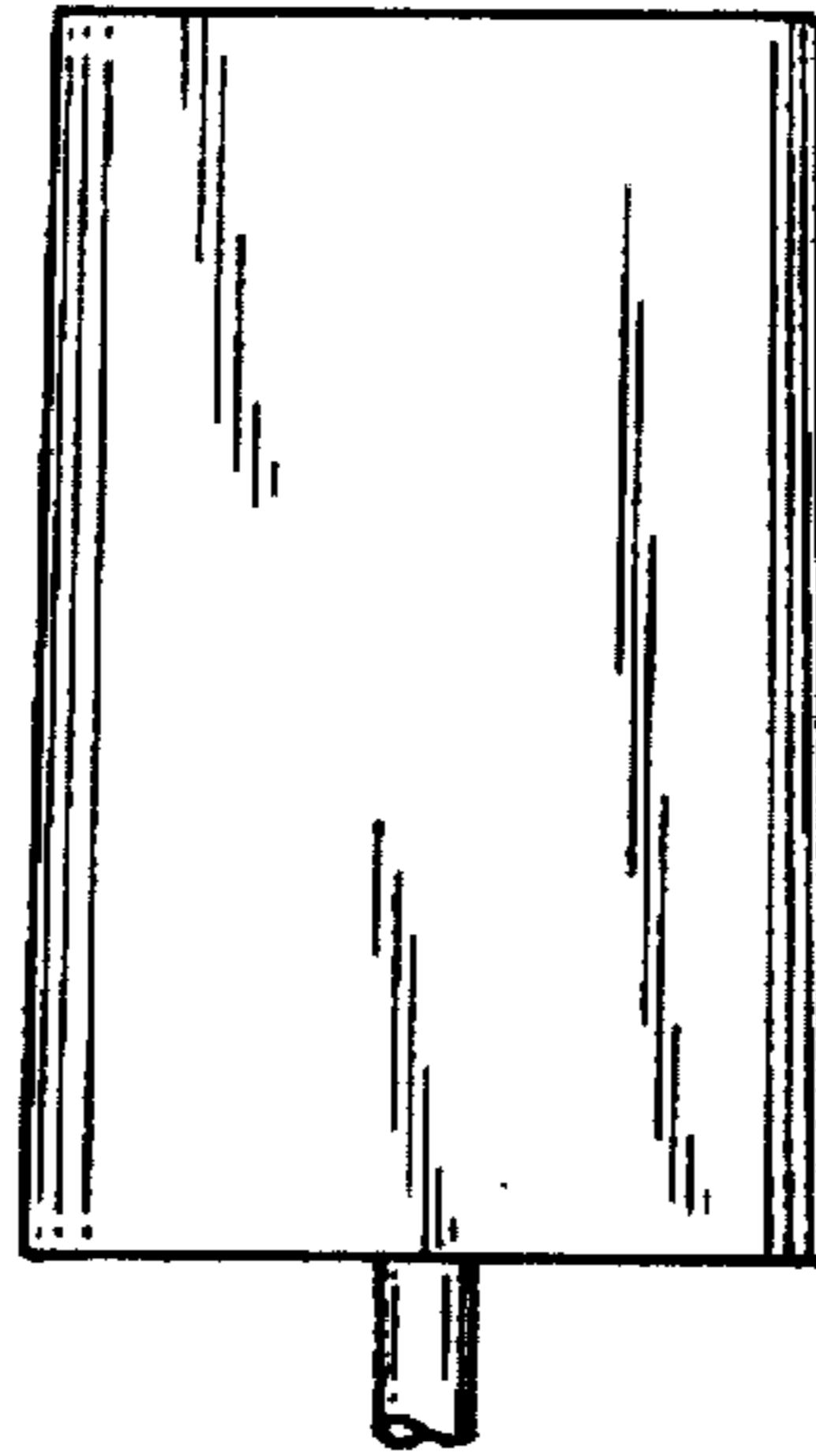


Fig. 4

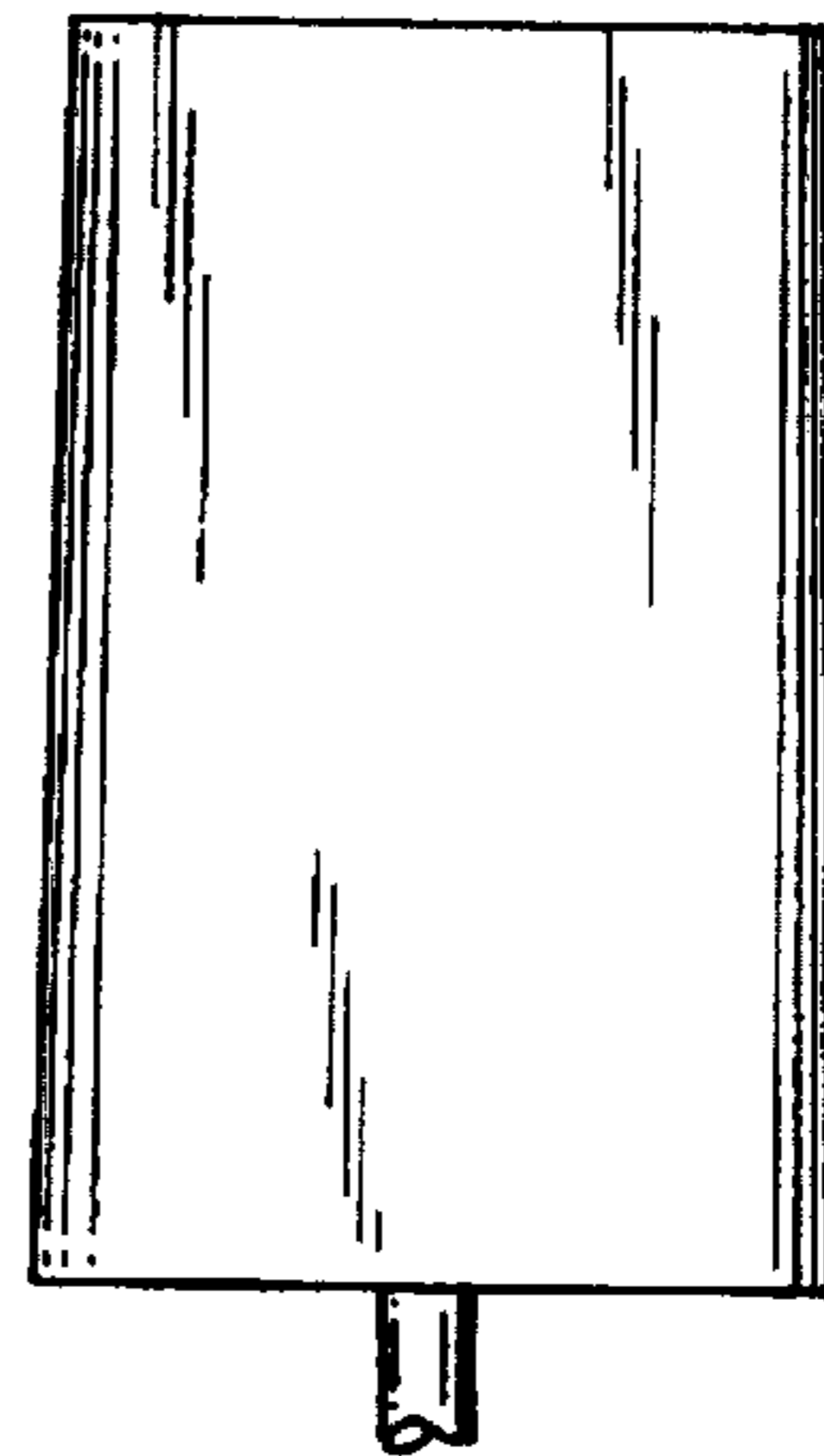


Fig. 5

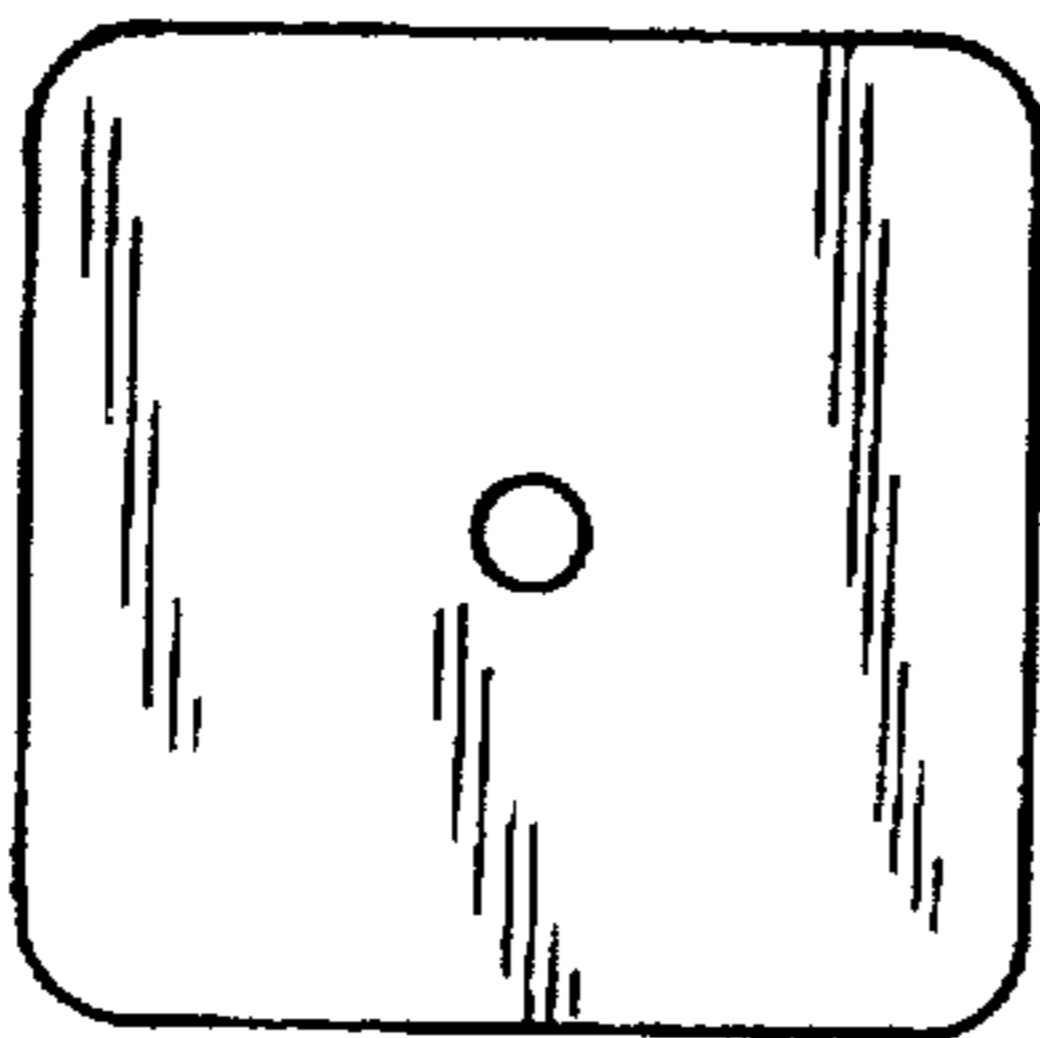


Fig. 6

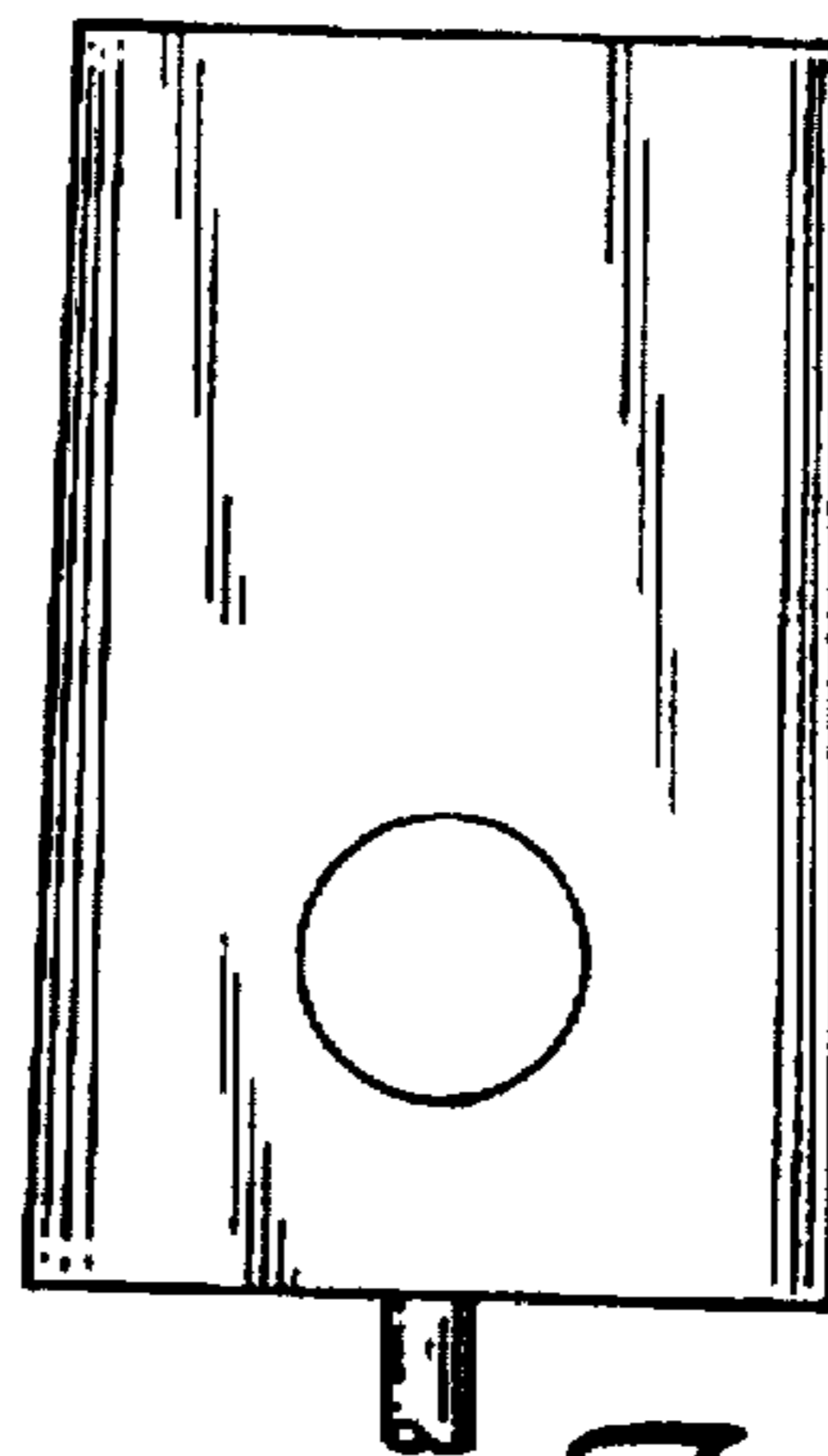


Fig. 7