

US00D386761S

United States Patent [19]
Pleitz

[11] **Patent Number: Des. 386,761**
[45] **Date of Patent: **Nov. 25, 1997**

[54] **AUDIO AMPLIFIER**

[75] **Inventor: John Pleitz, Tempe, Ariz.**

[73] **Assignee: Mitek Corporation, Phoenix, Ariz.**

[**] **Term: 14 Years**

[21] **Appl. No.: 36,985**

[22] **Filed: Mar. 31, 1995**

[51] **LOC (6) Cl. 14-03**

[52] **U.S. Cl. D14/188**

[58] **Field of Search** D14/124, 137,
D14/155-156, 163, 168-169, 188, 189,
194-198, 265, 299; 455/344, 347-348,
350, 351

[56] **References Cited**

U.S. PATENT DOCUMENTS

D. 292,586 11/1987 George et al. D14/188

D. 337,114 7/1993 Mantz D14/188
D. 343,395 1/1994 Kakizaki D14/188
5,285,500 2/1994 Mantz 455/348 X

Primary Examiner—Prabhakar G. Deshmukh
Assistant Examiner—Nanda Bondade
Attorney, Agent, or Firm—Quarles & Brady

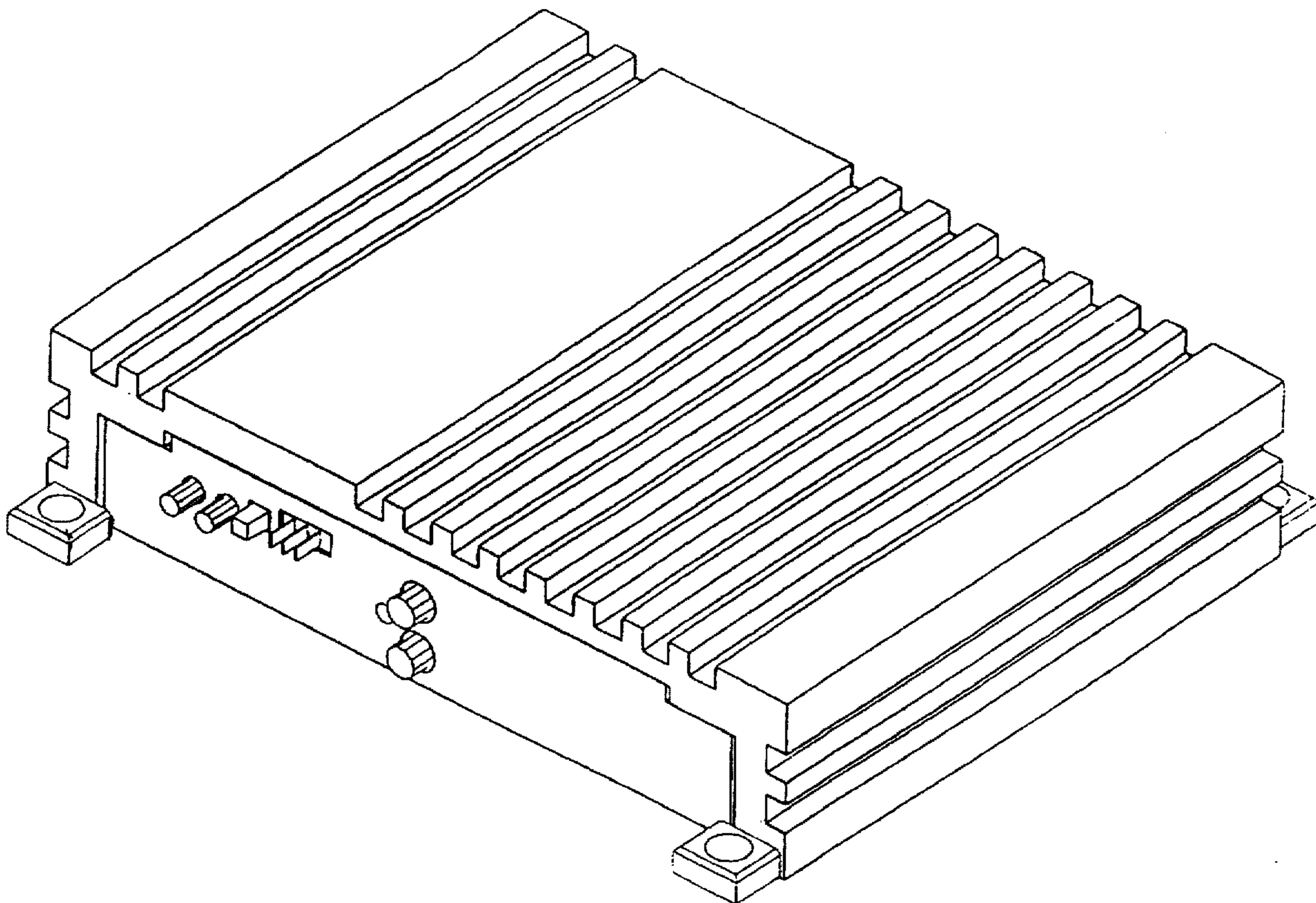
[57] **CLAIM**

The ornamental design for an audio amplifier, as shown and described.

DESCRIPTION

FIG. 1 is a perspective view showing the top, right side and front of the design for the audio amplifier;
FIG. 2 is a rear elevational view thereof;
FIG. 3 is a left elevational view thereof; and,
FIG. 4 is a bottom plan view thereof.

1 Claim, 2 Drawing Sheets



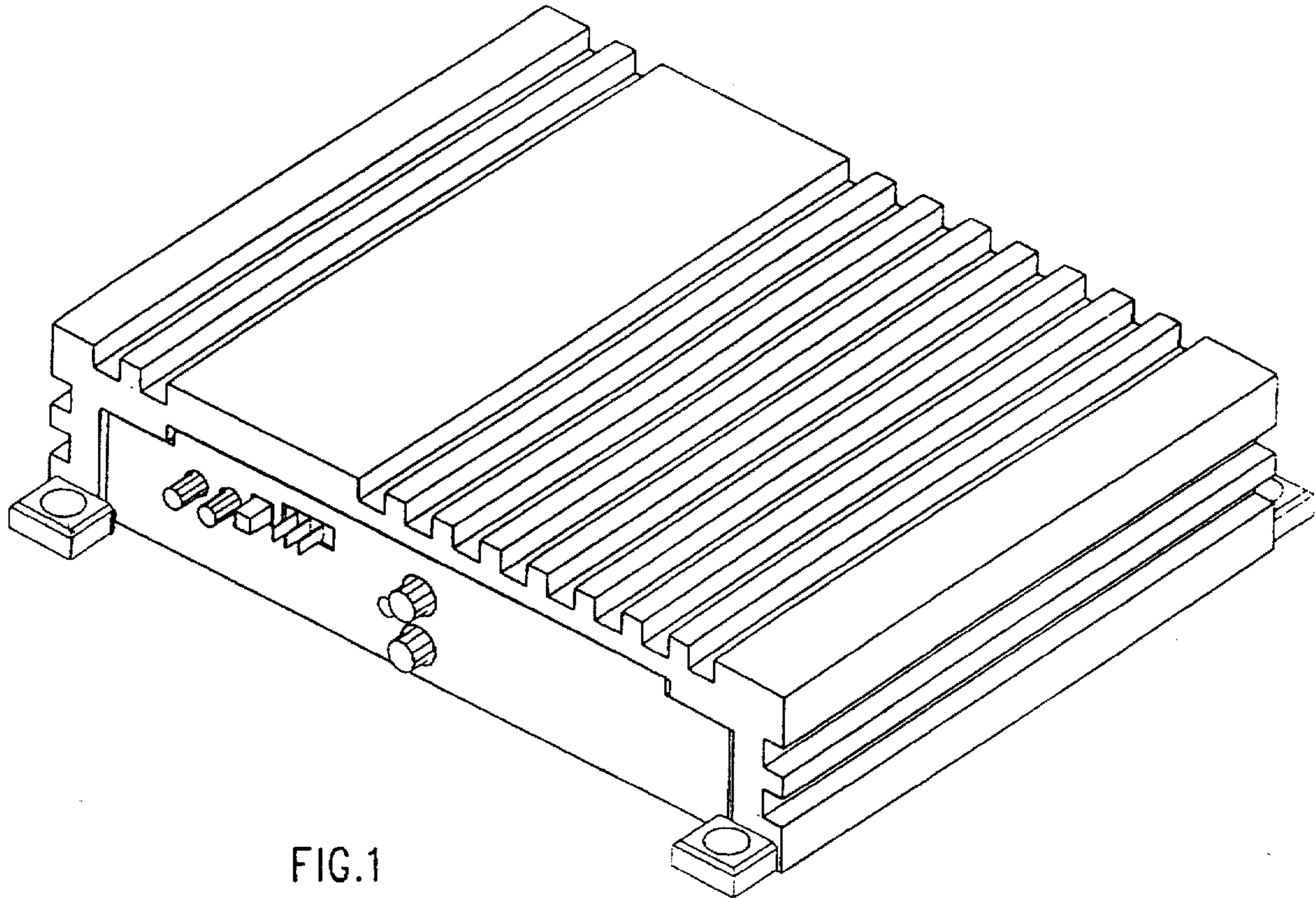


FIG.1

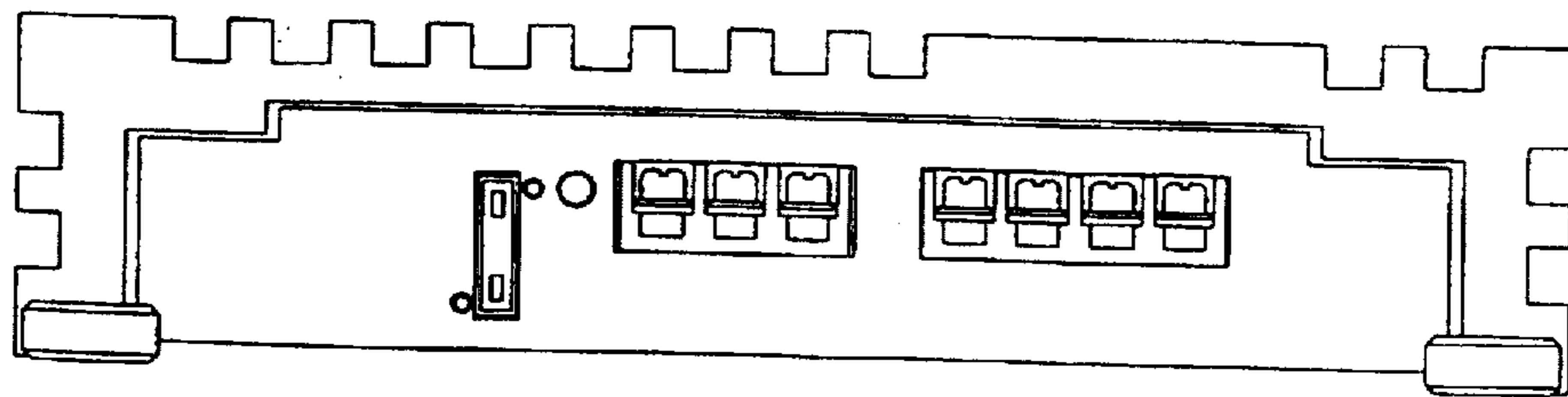


FIG.2

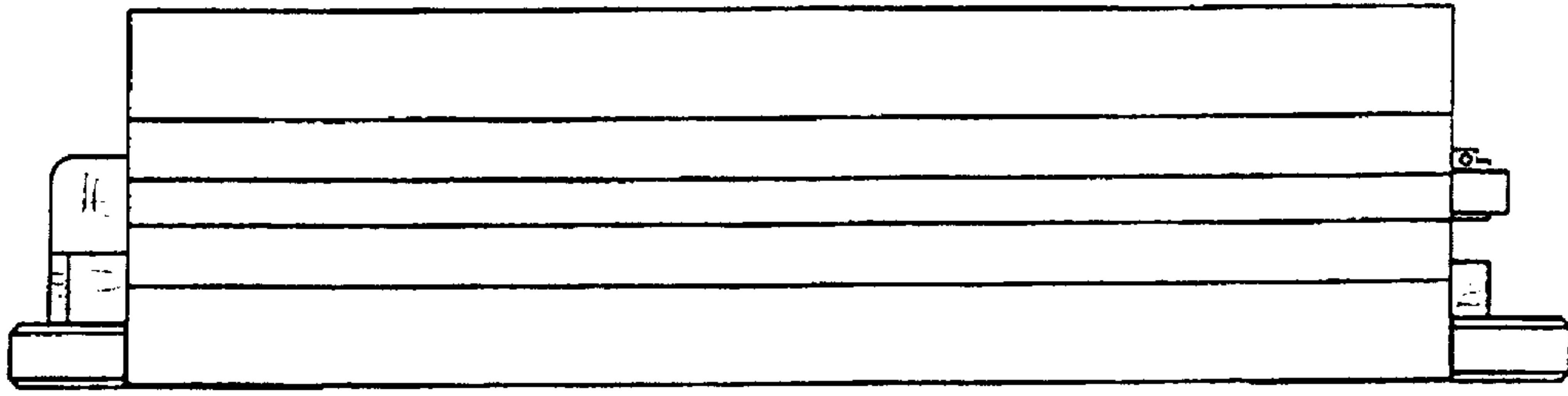


FIG. 3

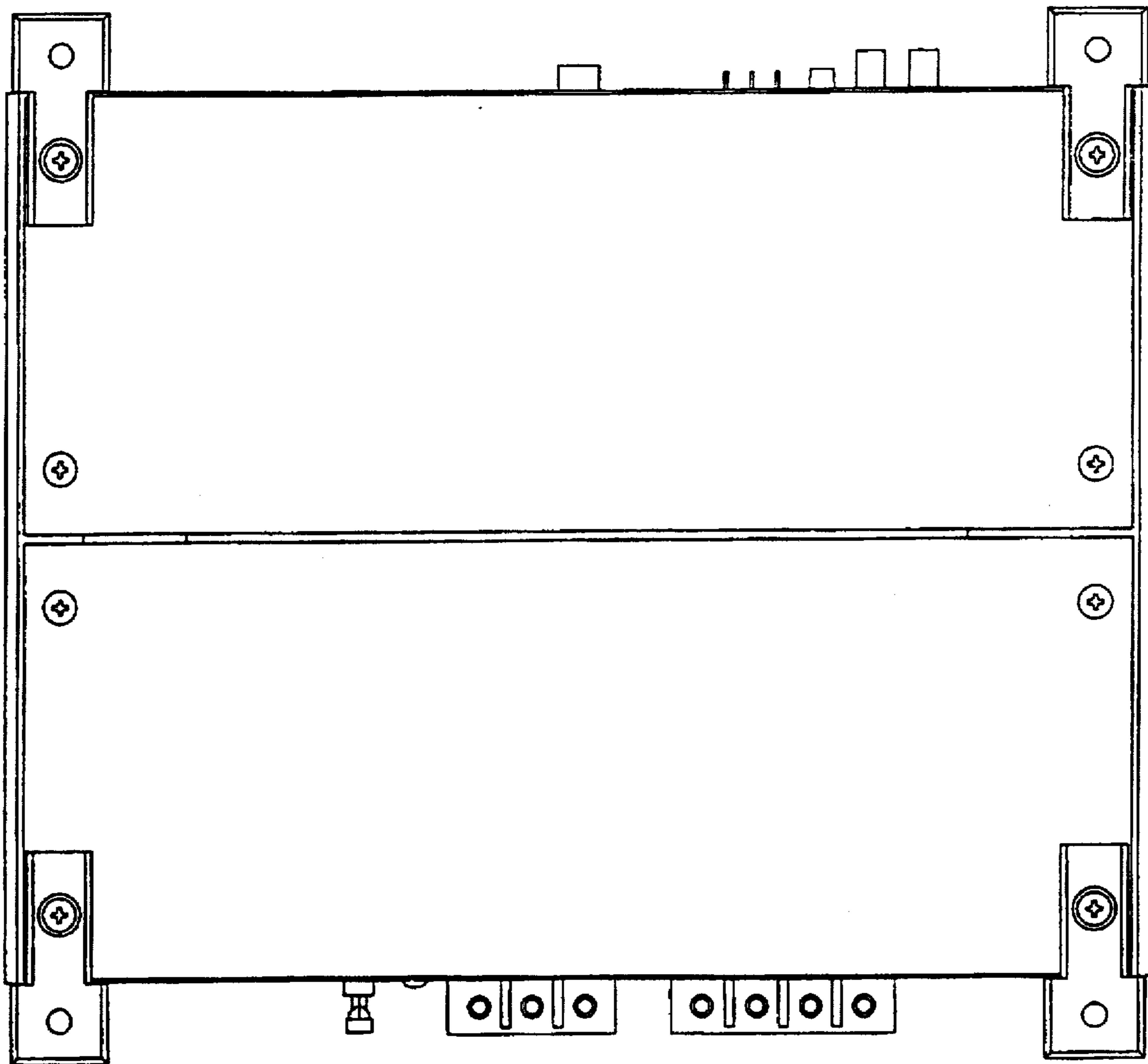


FIG. 4