



US00D386759S

United States Patent [19]

Elkins et al.

[11] Patent Number: **Des. 386,759**

[45] Date of Patent: ****Nov. 25, 1997**

[54] TELEPHONE

[75] Inventors: **Erich C. Elkins**, San Francisco, Calif.;
Wayne E. McKinnon, Georgetown, Tex.;
David E. Bryant, Austin, Tex.;
Mary E. Kingsbury, Dallas, Tex.;
Doug A. Erwin, Austin, Tex.; **William C. McRight**, Round Rock, Tex.

[73] Assignee: **Siemens Business Communication Systems**, Iselin, N.J.

[**] Term: **14 Years**

[21] Appl. No.: **62,962**

[22] Filed: **Aug. 19, 1996**

Related U.S. Application Data

[62] Division of Ser. No. 40,255, Jun. 2, 1995, Pat. No. Des. 374,667.

[51] LOC (6) Cl. **14-03**

[52] U.S. Cl. **D14/151**

[58] Field of Search D14/137, 138,
D14/140, 142, 144, 240, 149-151, 241;
379/434-436, 419, 420, 428, 440, 454,
455

[56] References Cited

U.S. PATENT DOCUMENTS

- D. 294,248 2/1988 Richter et al. D14/151
- D. 297,137 8/1988 Richter et al. D14/151
- D. 311,399 10/1990 Ando D14/241
- D. 319,235 8/1991 Sato D14/151
- D. 319,443 8/1991 Fuqua et al. D14/241 X

- D. 319,826 9/1991 Hung D14/151 X
- D. 320,987 10/1991 Grinyer D14/141 X
- D. 339,583 9/1993 Taniguchi D14/151
- D. 346,385 4/1994 Wetzel et al. D14/151
- D. 357,915 5/1995 Hillenmayer D14/151
- D. 372,025 7/1996 Mo D14/151
- D. 374,667 10/1996 Elkins et al. D14/151
- D. 375,095 10/1996 Hilenmayer et al. D14/151
- 3,941,951 3/1976 Engstrom et al. 379/436
- 4,790,007 12/1988 Richter et al. 379/435 X
- 5,121,427 6/1992 Gumb et al. 379/435
- 5,131,034 7/1992 Read 379/435

FOREIGN PATENT DOCUMENTS

- 60-160759 8/1985 Japan 379/435

OTHER PUBLICATIONS

B. A. Pargh, 1992 Spring/Summer Catalog, AT&T Phones at top left, Order #'s 700ATA and 715ATA, p. 324.

Primary Examiner—Jeffrey Asch

[57] CLAIM

The ornamental design for a telephone, as shown and described.

DESCRIPTION

FIG. 1 is a perspective view of a telephone showing our new design;
FIG. 2 is a top plan view thereof;
FIG. 3 is a front elevational view thereof;
FIG. 4 is a right side elevational view thereof;
FIG. 5 is a left side elevational view thereof;
FIG. 6 is a rear elevational view thereof; and,
FIG. 7 is a bottom plan view thereof.

1 Claim, 4 Drawing Sheets



FIG. 1

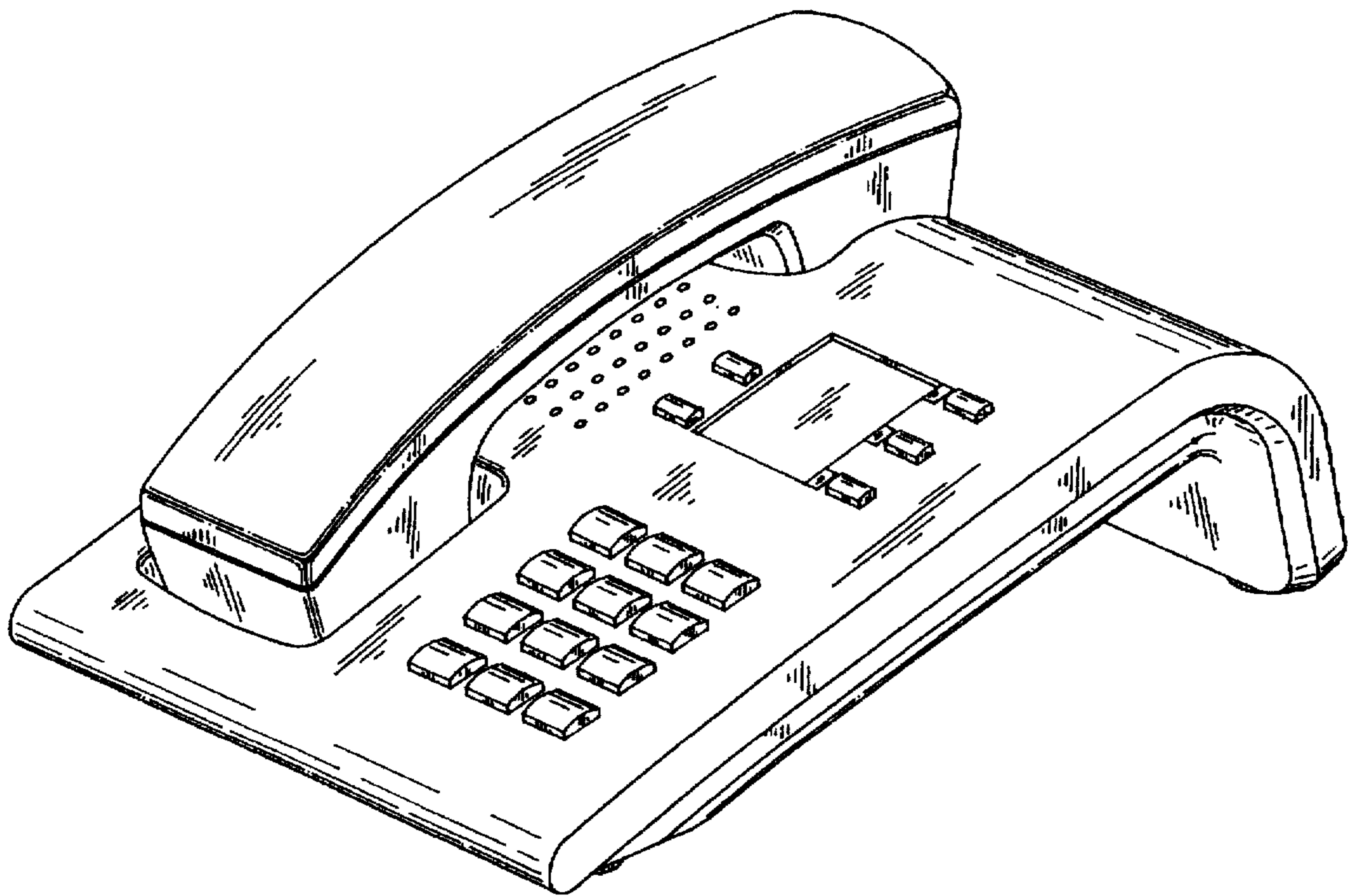


FIG. 2

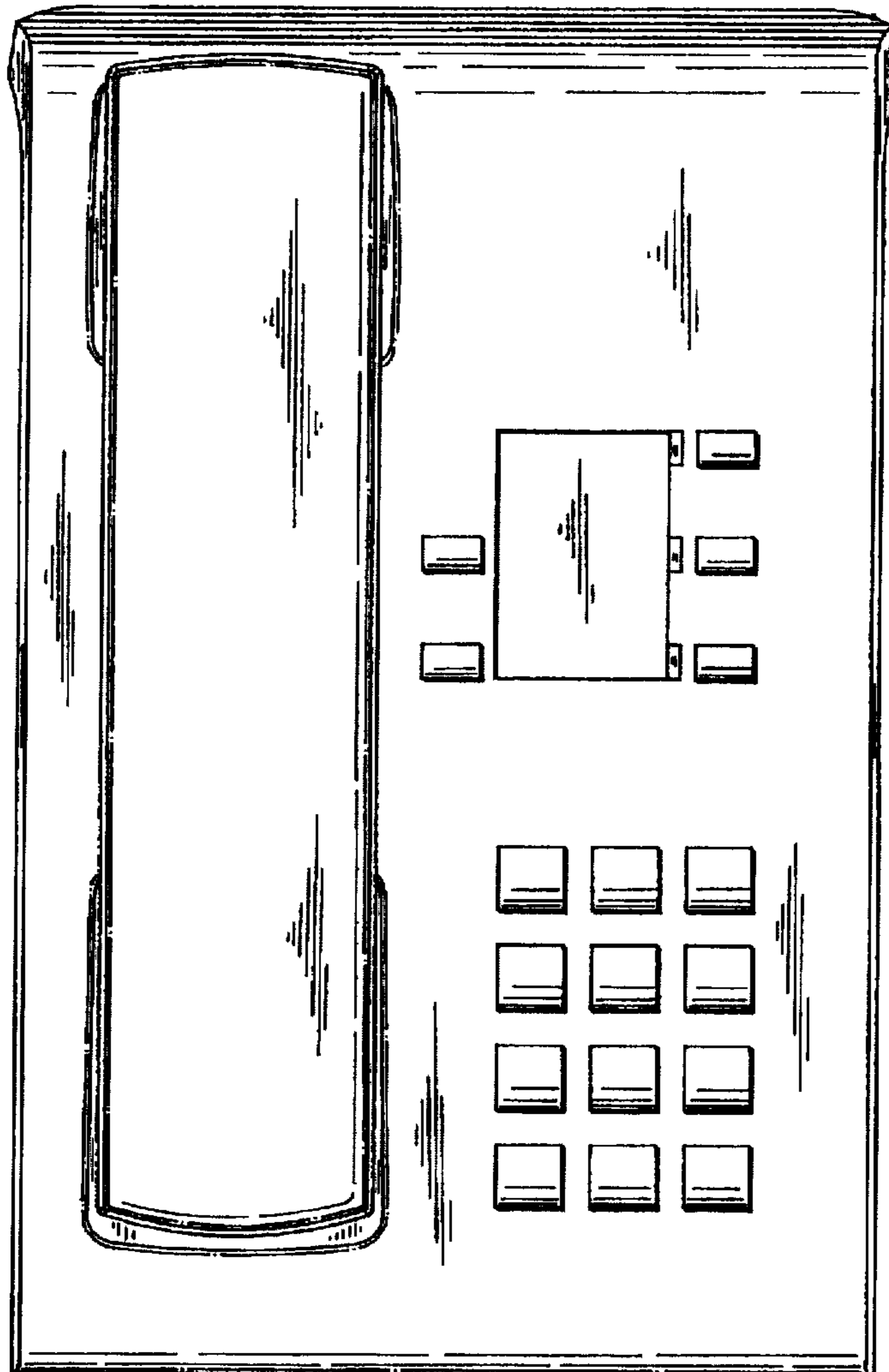


FIG. 3

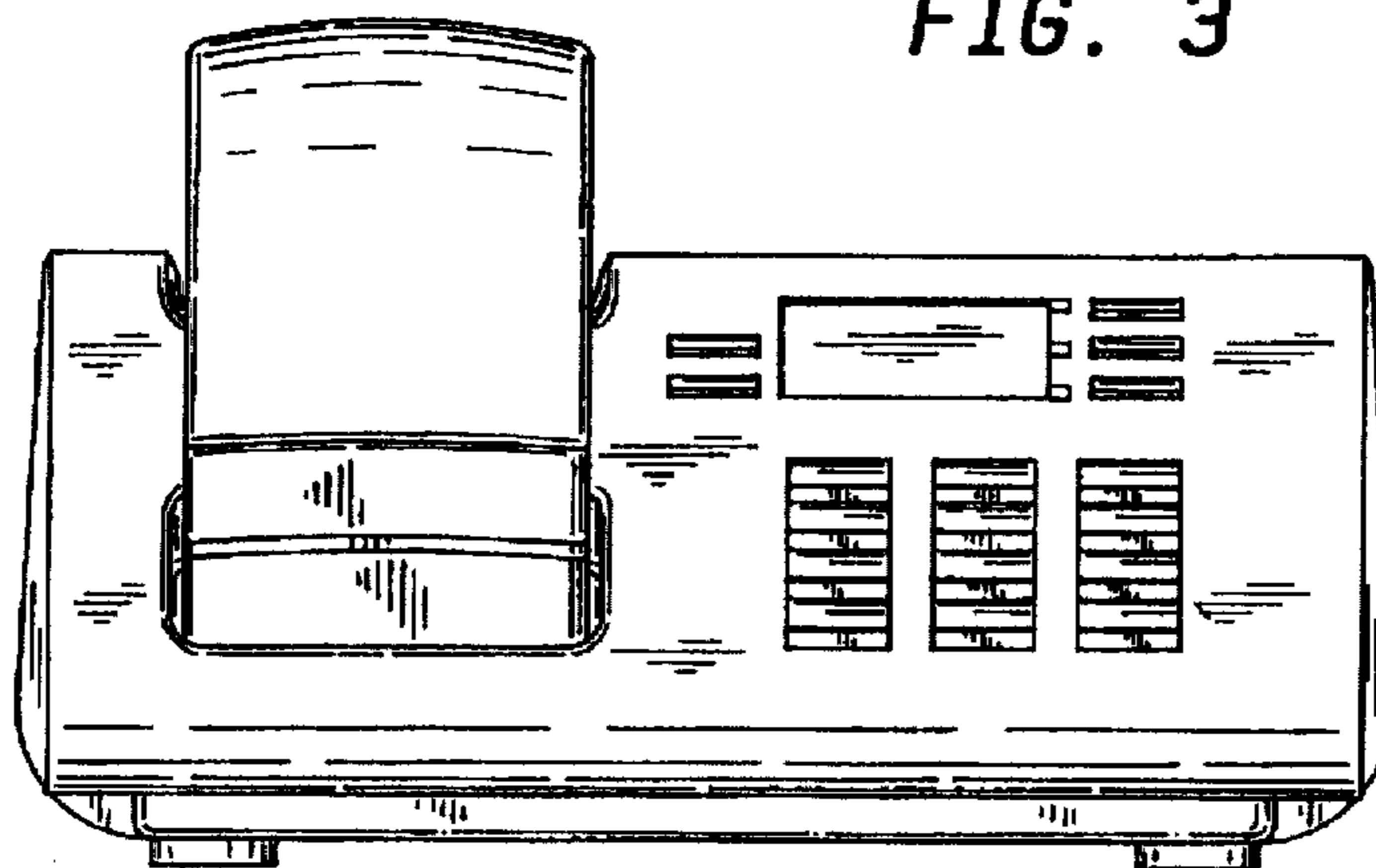


FIG. 4

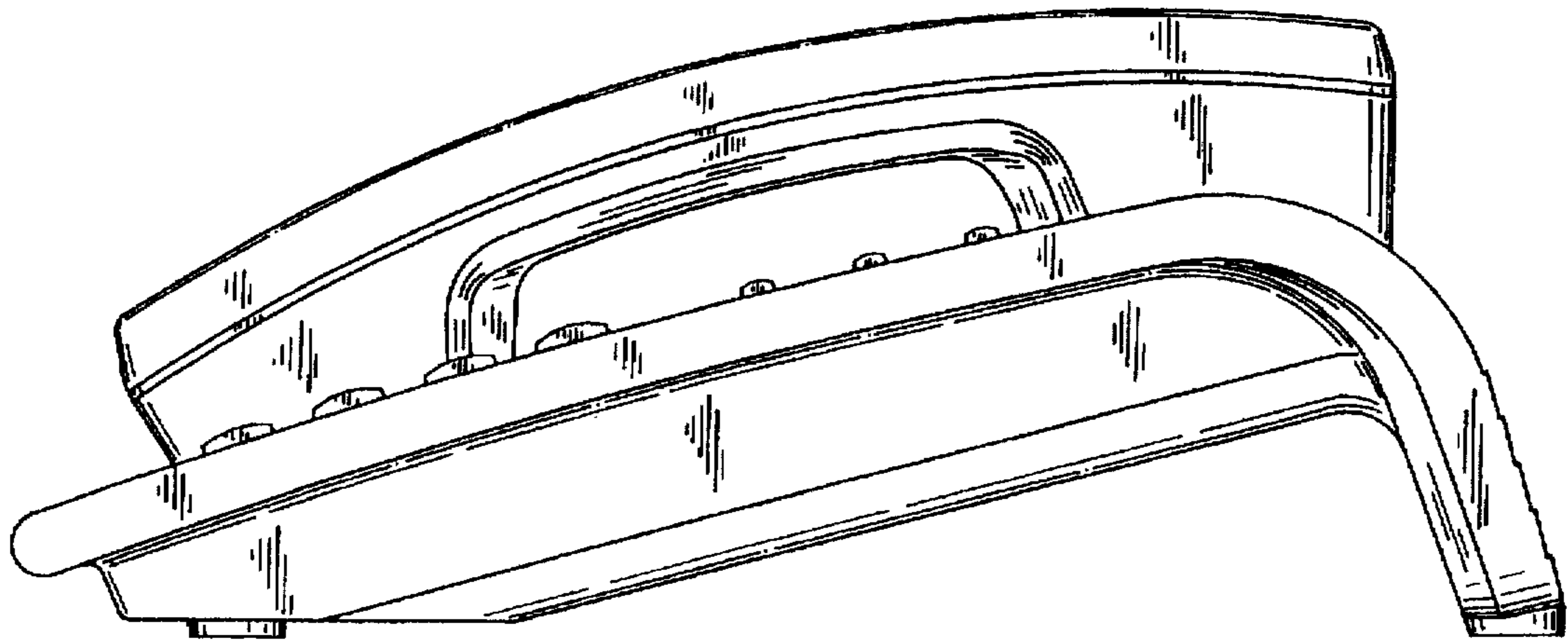


FIG. 5

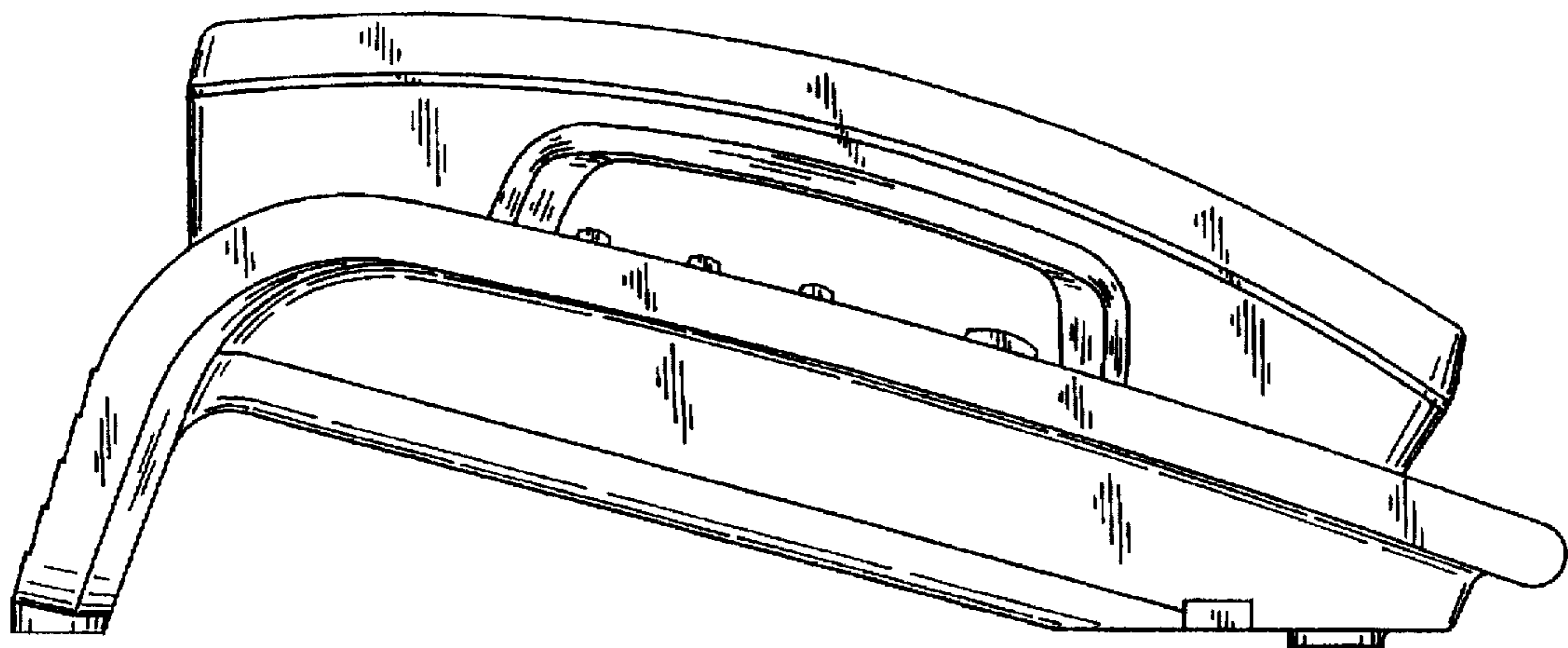


FIG. 6

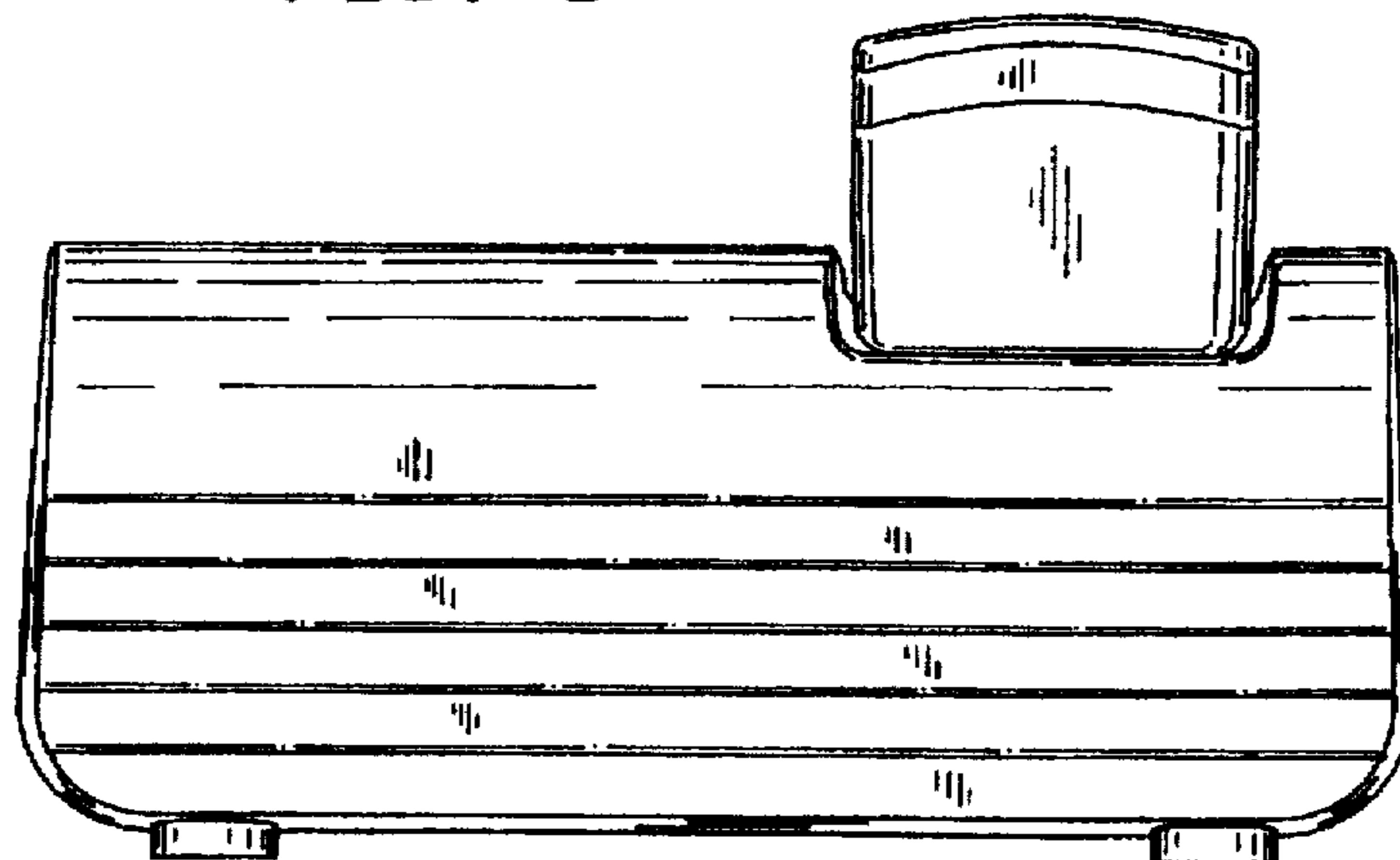


FIG. 7

